



US00D350456S

United States Patent [19]

[11] Patent Number: **Des. 350,456**

Linder

[45] Date of Patent: **** Sep. 13, 1994**

[54] CUP HOLDER

4,749,112 6/1988 Haeper D7/620 X

[75] Inventor: **Steven E. Linder**, Portland, Oreg.

Primary Examiner—Terry A. Wallace

[73] Assignee: **Anthro Corporation**, Portland, Oreg.

Attorney, Agent, or Firm—Stoel Rives Boley Jones & Grey

[**] Term: **14 Years**

[57] CLAIM

[21] Appl. No.: **2,507**

The ornamental design for a cup holder, as shown and described.

[22] Filed: **Dec. 11, 1992**

[52] U.S. Cl. **D7/620**

DESCRIPTION

[58] **Field of Search** D7/616-625;
D3/40; 211/74, 75; 220/737; 224/42.42, 42.43,
42.44, 42.45 R, 42.46 R; 248/310, 311.2, 313

FIG. 1 is a top, rear, right side perspective view of a cup holder showing my new design, the cup and edge of a table being shown in broken lines for illustrative purposes only;

[56] References Cited

U.S. PATENT DOCUMENTS

- D. 203,055 11/1965 Robinson D7/620
- 2,830,748 4/1958 Faltin 224/42.46 R
- 3,991,961 11/1976 Platzer, Jr. 248/311.2 X

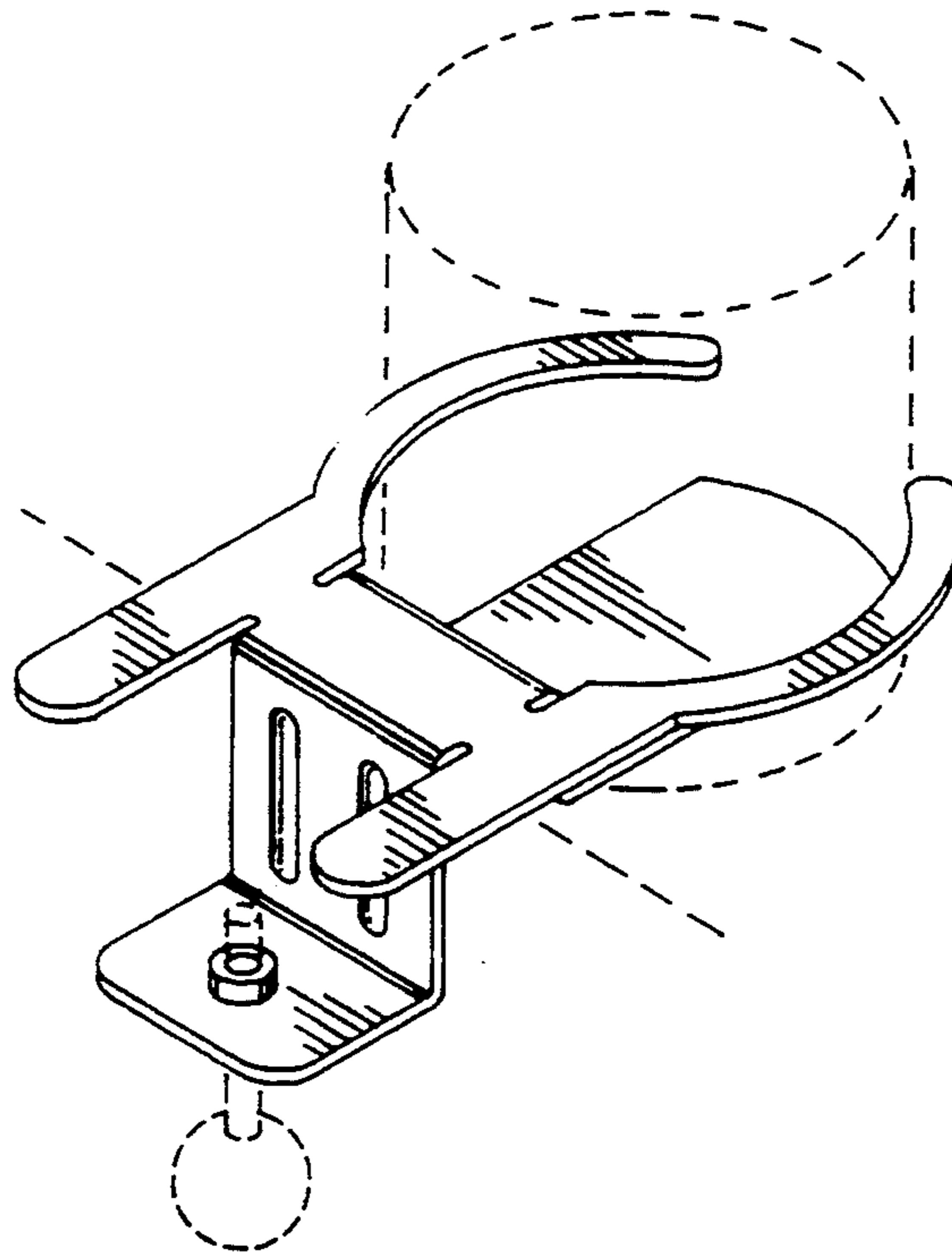
FIG. 2 is a top plan view thereof;

FIG. 3 is a left side elevational view thereof;

FIG. 4 is a bottom plan view thereof;

FIG. 5 is a front elevational view thereof; and,

FIG. 6 is a rear elevational view thereof.



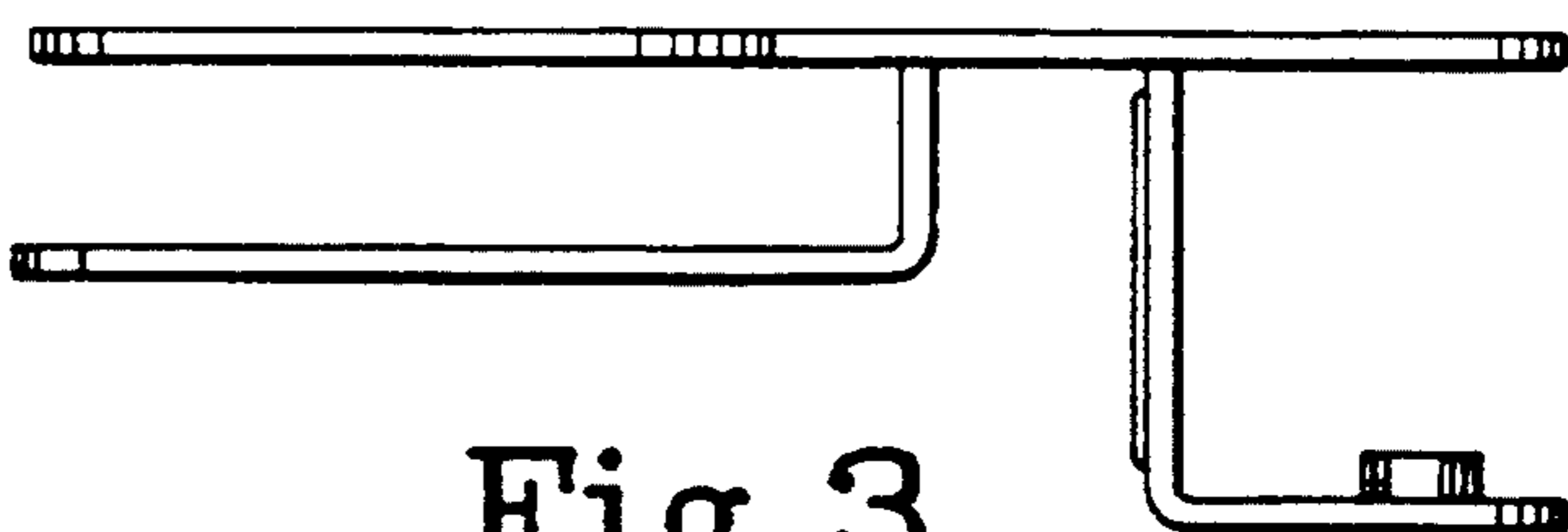
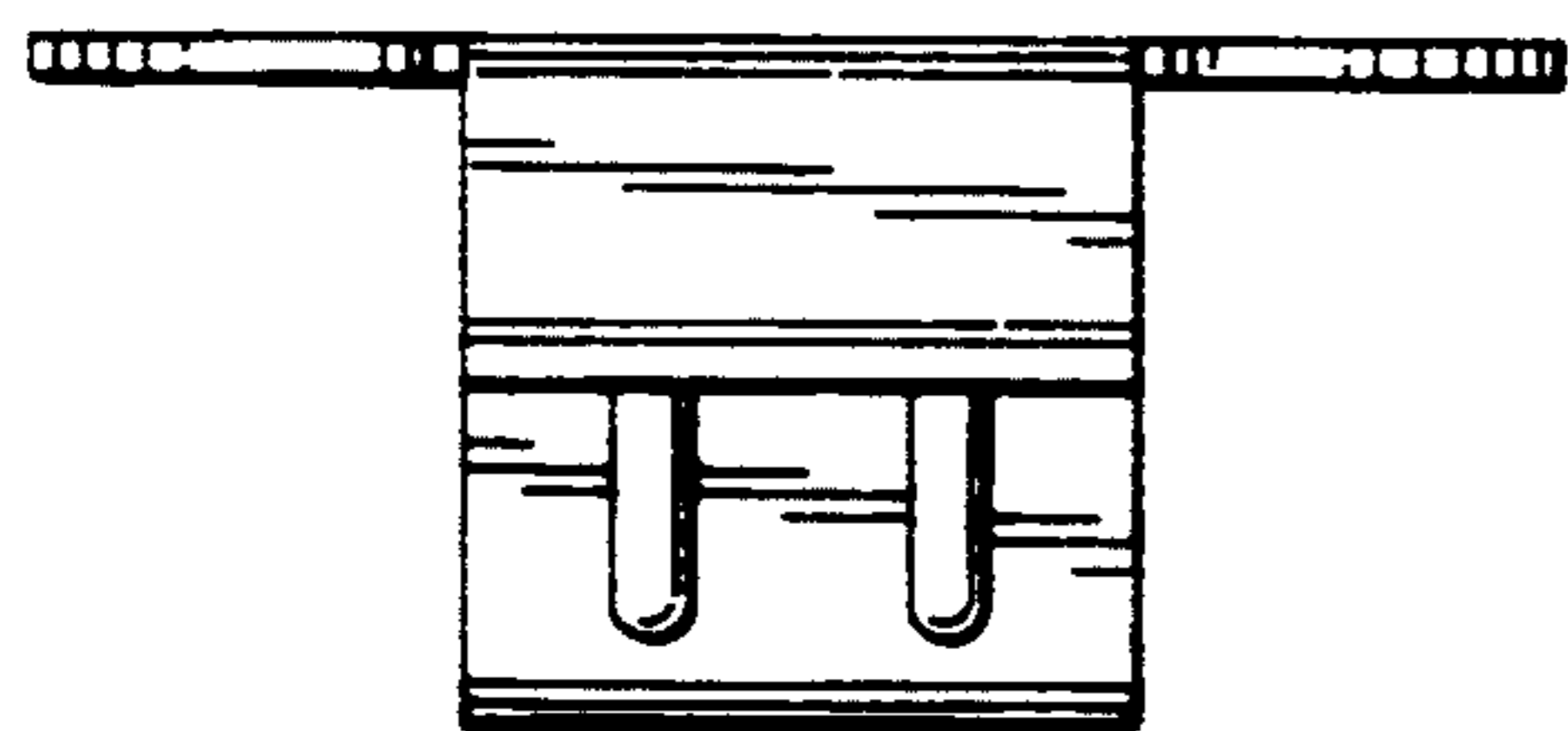
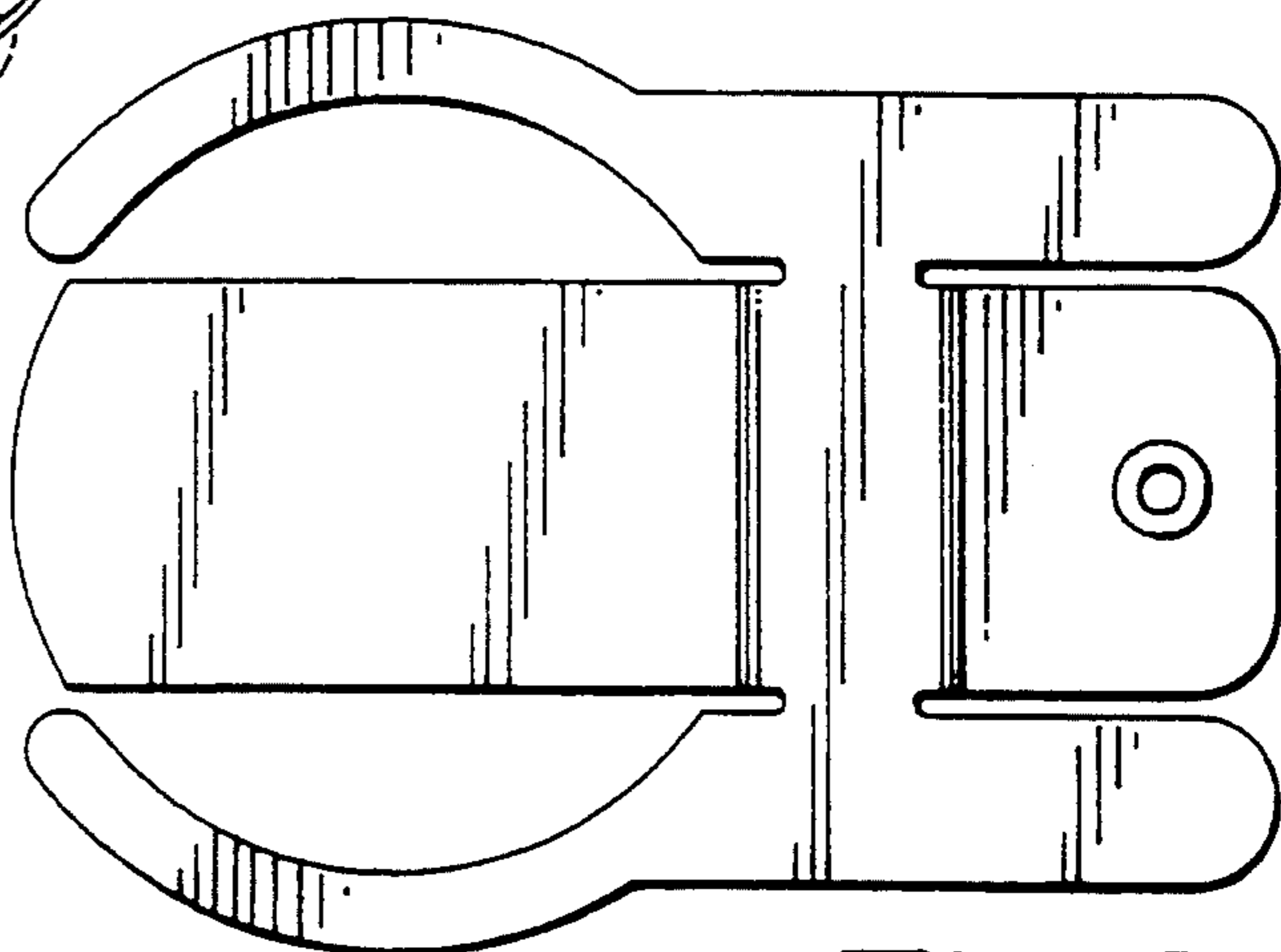
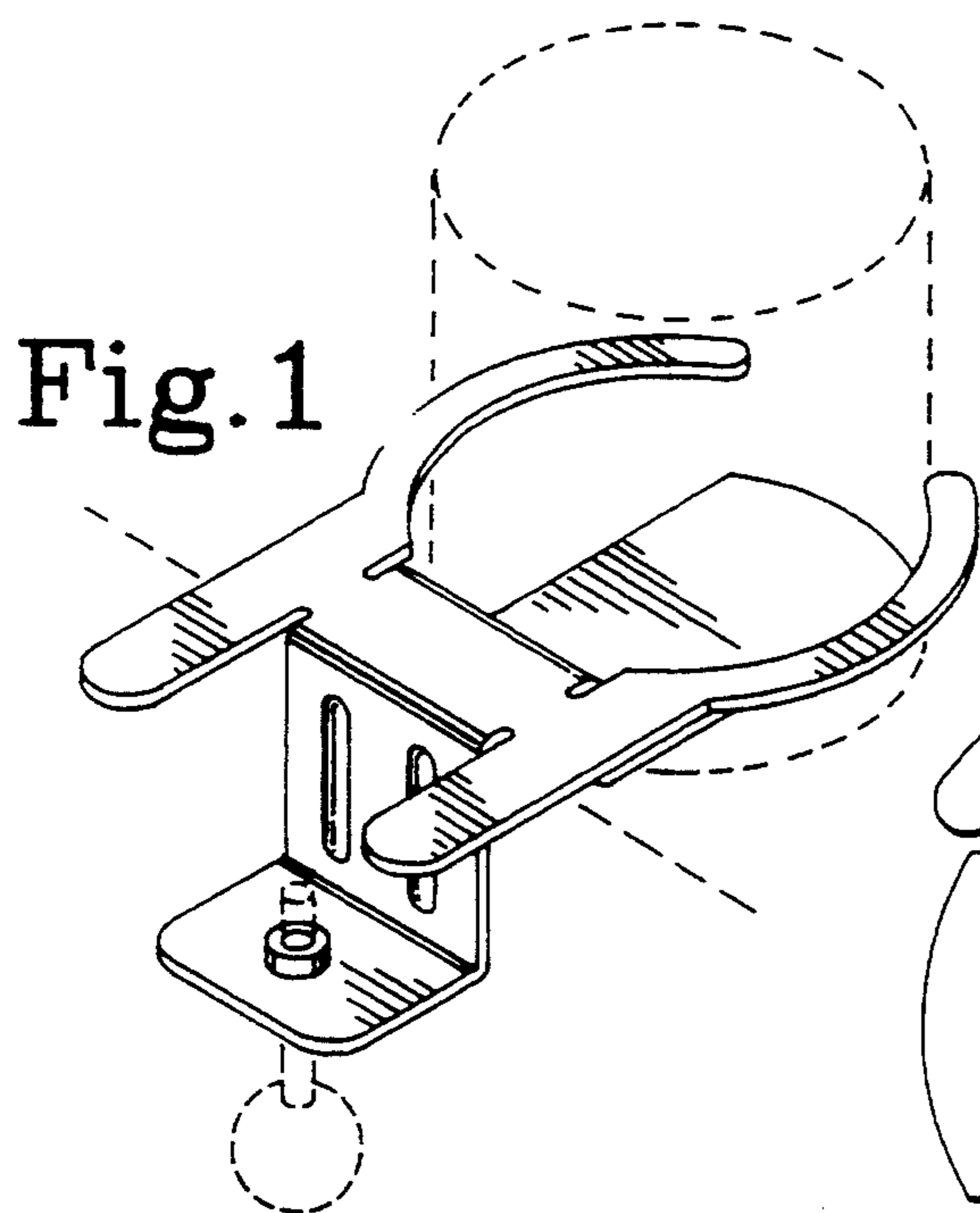


Fig. 5

Fig. 3

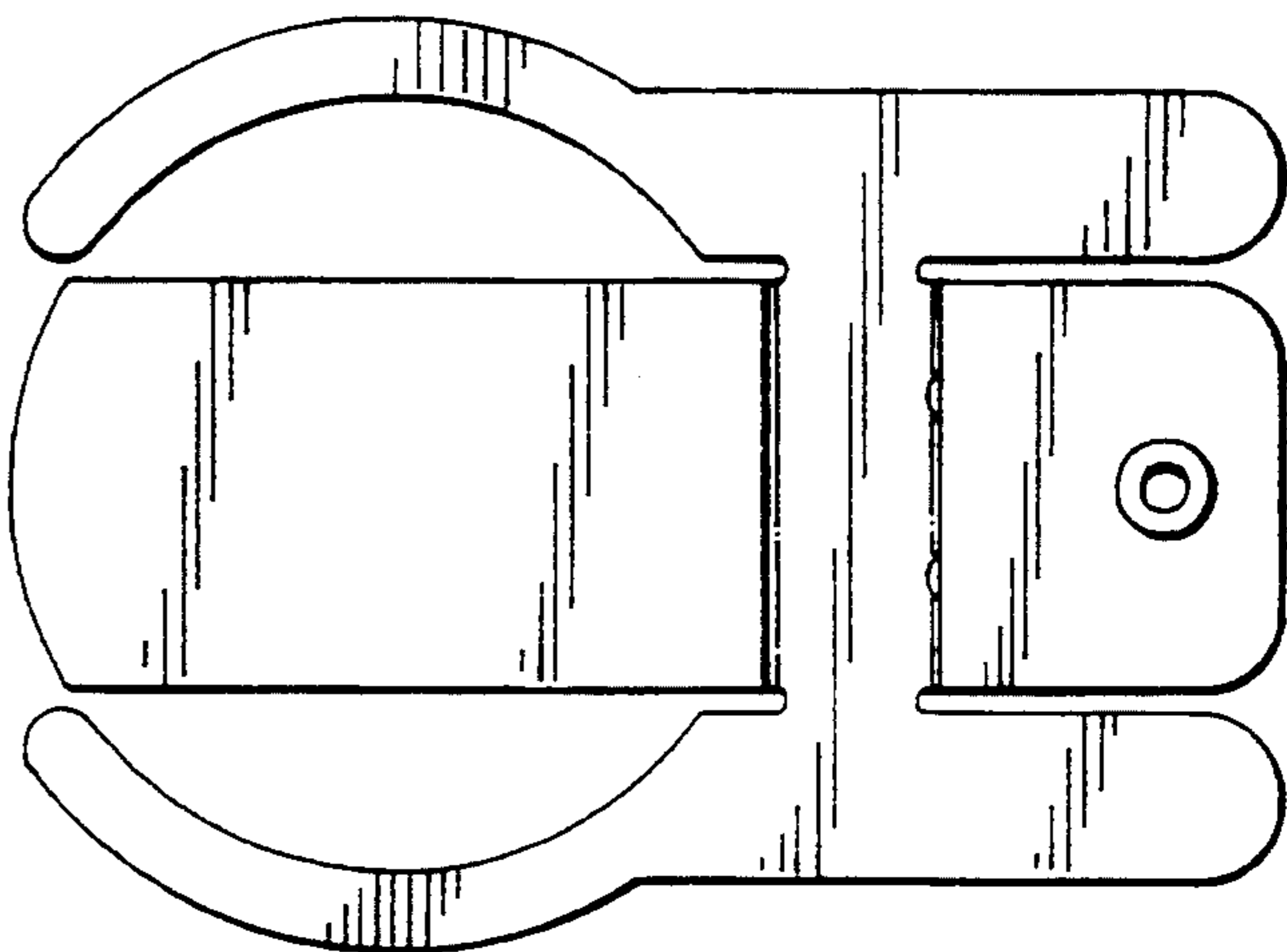
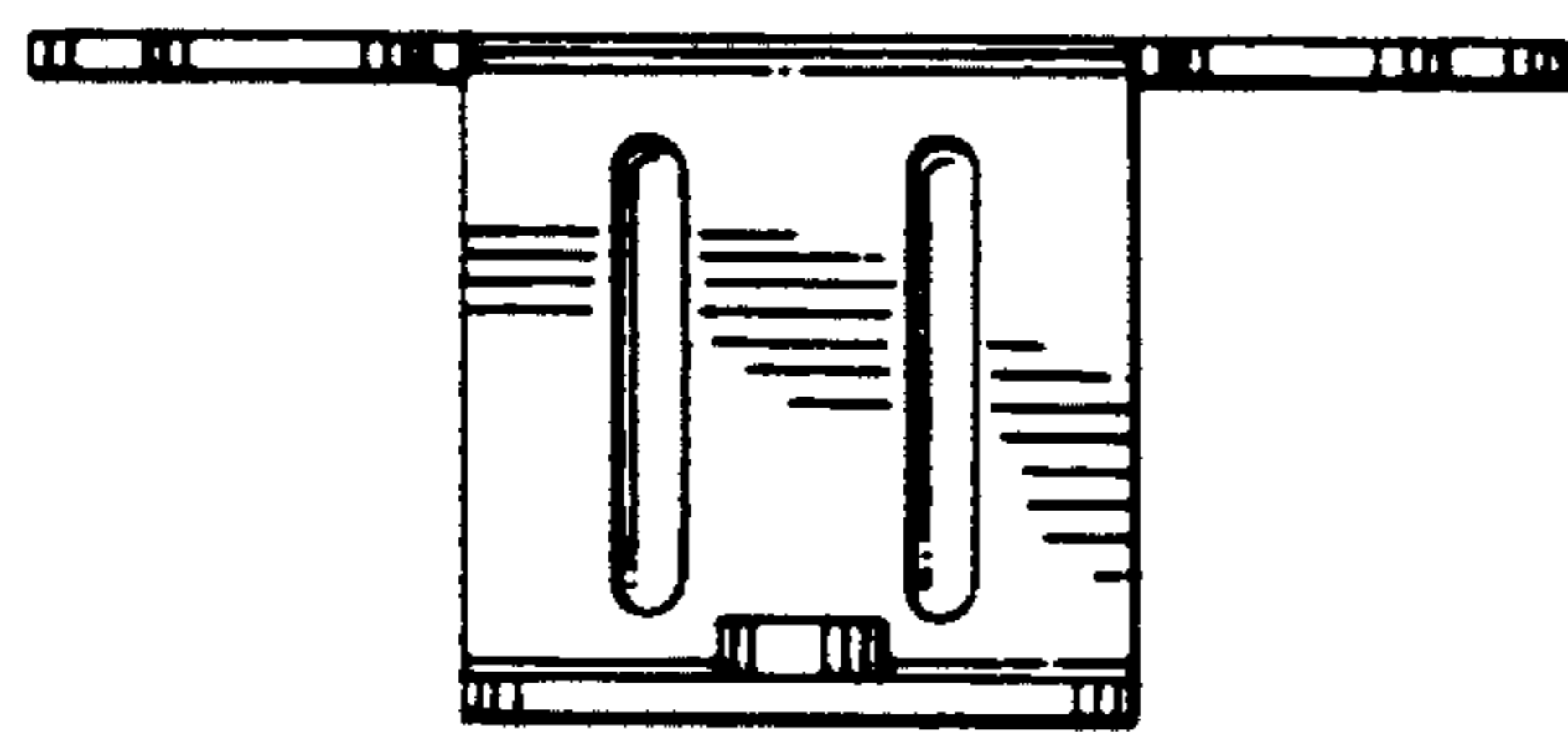


Fig. 6

Fig. 4