



US00D350455S

United States Patent [19]

[11] Patent Number: **Des. 350,455**

Richter

[45] Date of Patent: **** Sep. 13, 1994**

[54] **TAMPER EVIDENT DEVICE FOR SOFT DRINK SYRUP CONTAINERS**

[75] Inventor: **Simon J. Richter**, Marietta, Ga.

[73] Assignee: **The Coca-Cola Company**, Atlanta, Ga.

[**] Term: **14 Years**

[21] Appl. No.: **3,810**

[22] Filed: **Jan. 15, 1993**

[52] U.S. Cl. **D7/392.1; D9/445; D9/446; D9/435**

[58] **Field of Search** **D7/397, 392, 398, 399, D7/387, 393, 394, 395, 213, 300, 392.1; D9/435, 436, 444, 445, 446, 449, 434; 222/153; 220/254, 266, 257**

[56] **References Cited**

U.S. PATENT DOCUMENTS

D. 226,555	3/1973	Weber	D9/446
D. 229,735	1/1974	Croyle	D7/397
D. 258,051	1/1981	Bakus	D9/449
D. 260,373	8/1981	Wood	D9/446
D. 264,037	4/1982	Johnson	D7/669

D. 286,860	11/1986	Di Fedt	D9/435
D. 330,164	10/1992	Tanaka	D9/435
D. 335,449	5/1993	Appla	D9/449 X
D. 336,852	6/1993	Pritchard	D9/449 X
D. 339,064	9/1993	Richter	D9/435
5,158,197	10/1992	Richter et al.	220/266 X

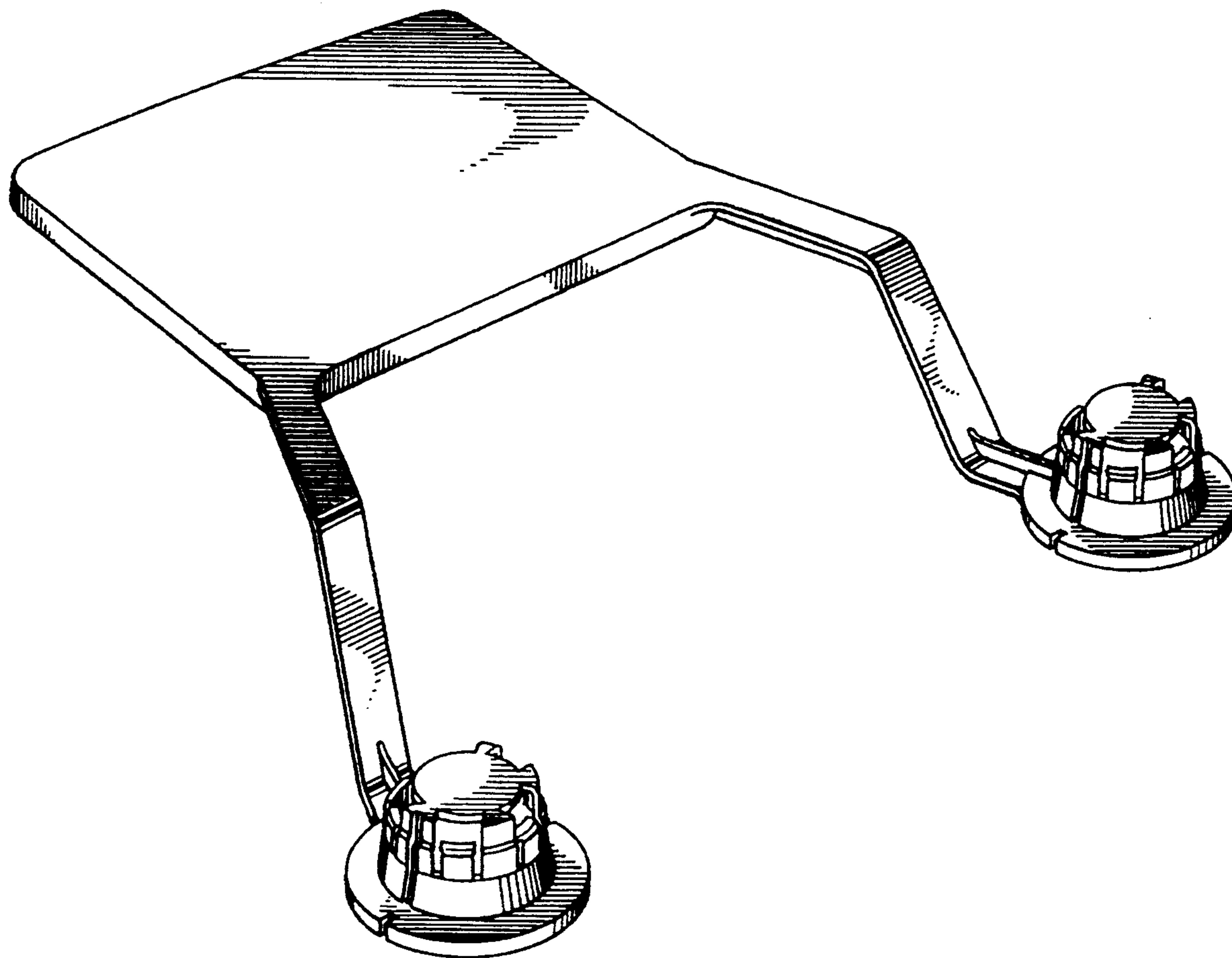
Primary Examiner—Alan P. Douglas
Assistant Examiner—M. N. Pandozzi
Attorney, Agent, or Firm—Thomas R. Boston; W. Dexter Brooks

[57] **CLAIM**

The ornamental design for a tamper evident device for soft drink syrup containers, as shown and described.

DESCRIPTION

FIG. 1 is a top front left side perspective view of a tamper evident device for soft drink syrup containers showing my new design;
FIG. 2 is a left side elevational view thereof;
FIG. 3 is a right side elevational view thereof;
FIG. 4 is a top plan view thereof;
FIG. 5 is a front elevational view thereof;
FIG. 6 is a bottom plan view thereof; and,
FIG. 7 is a rear elevational view thereof.



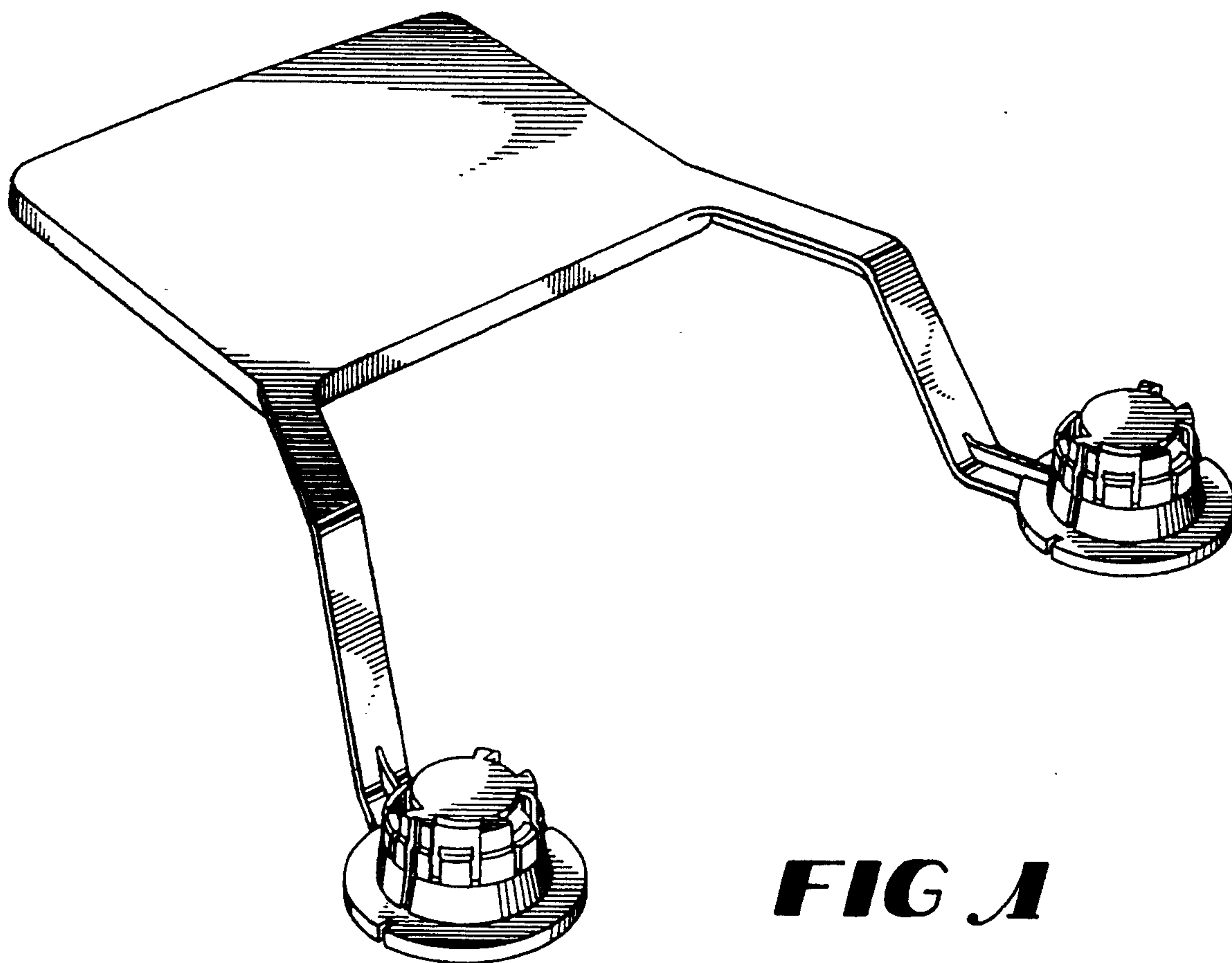


FIG 1

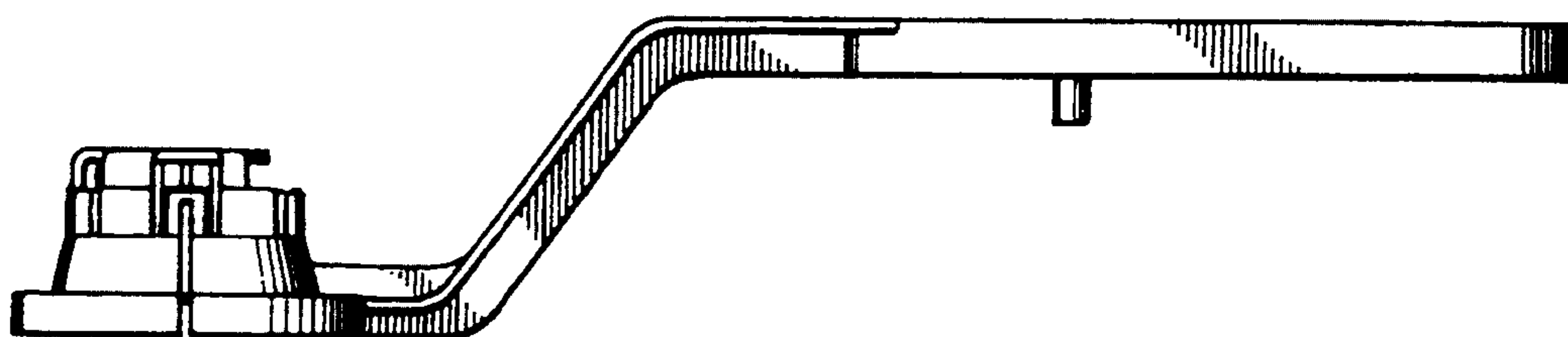


FIG 2

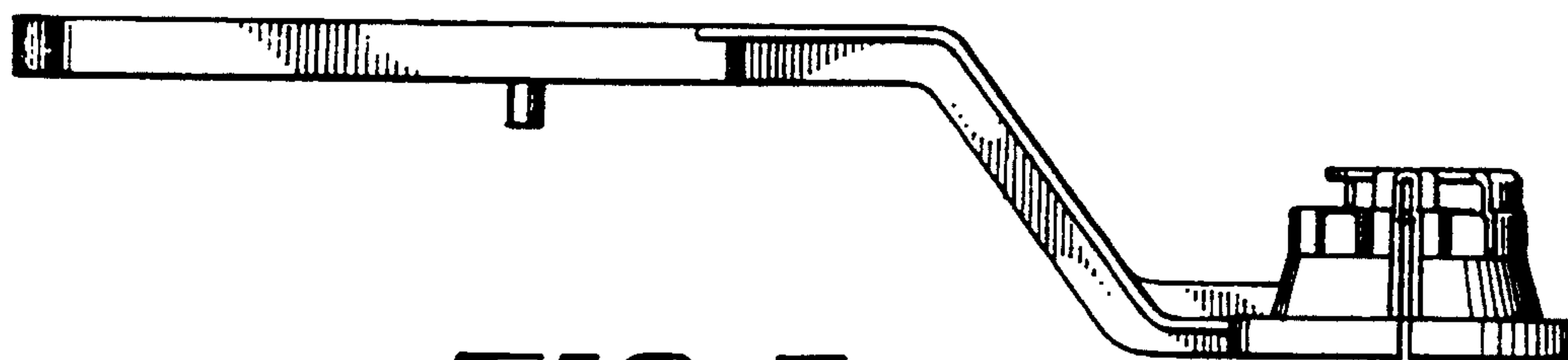


FIG 3

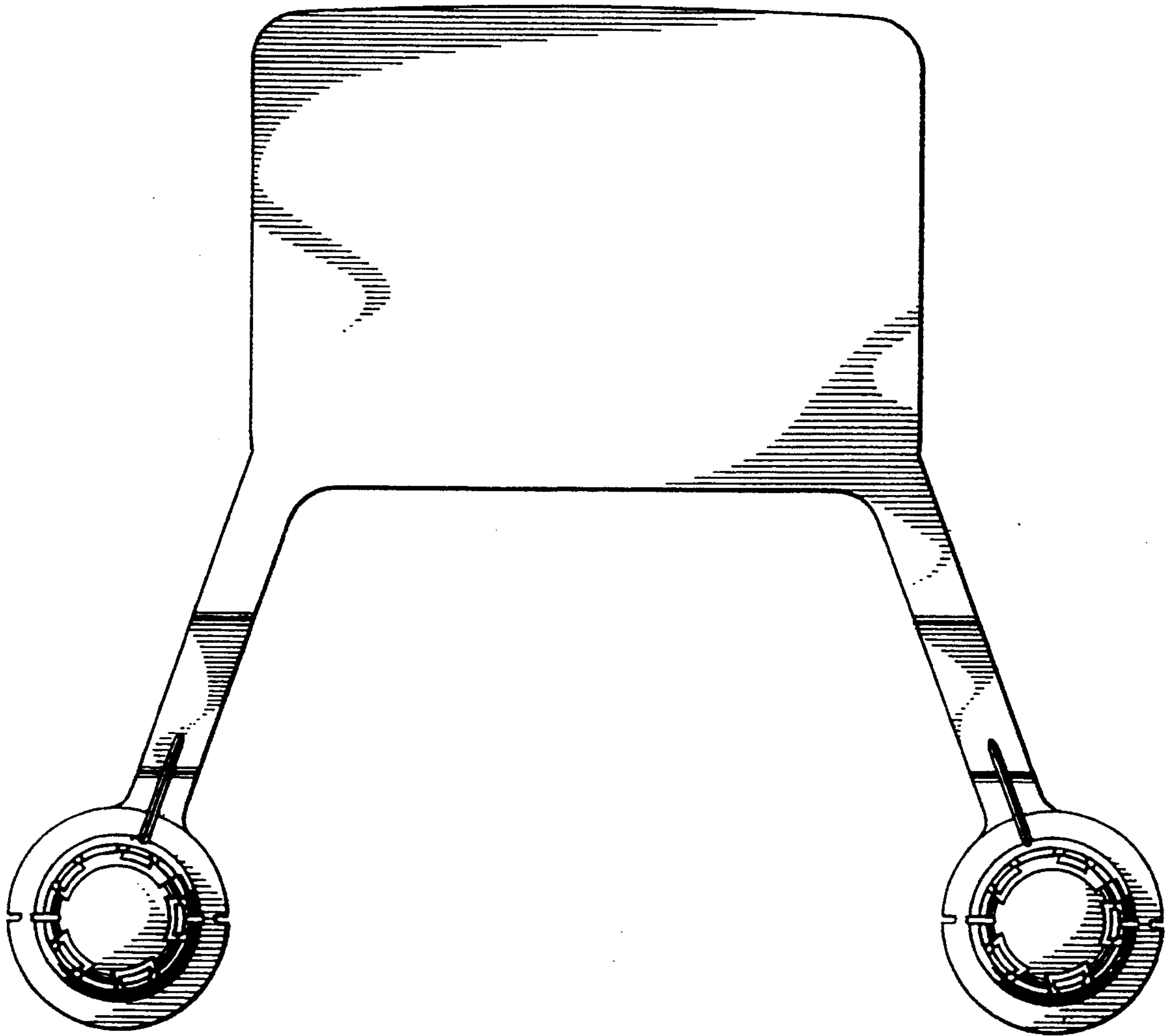


FIG 4

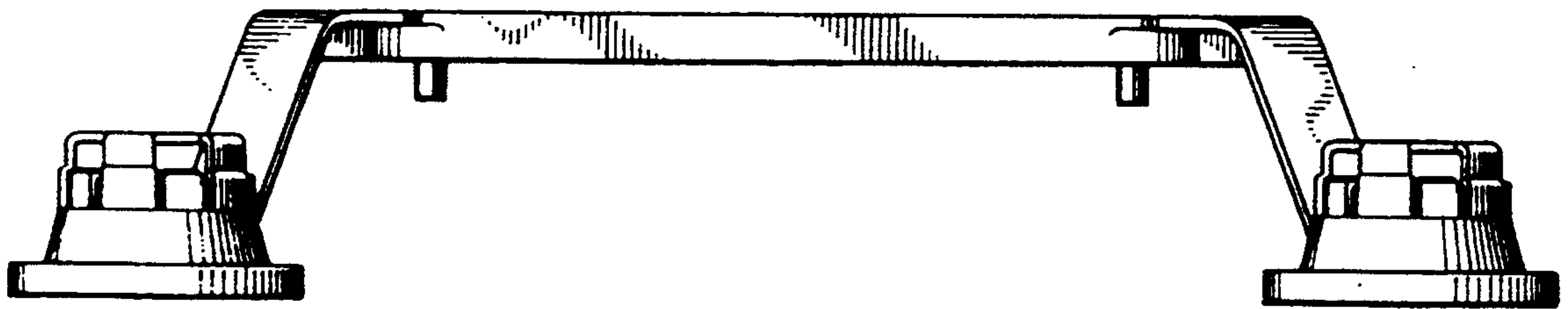


FIG 5

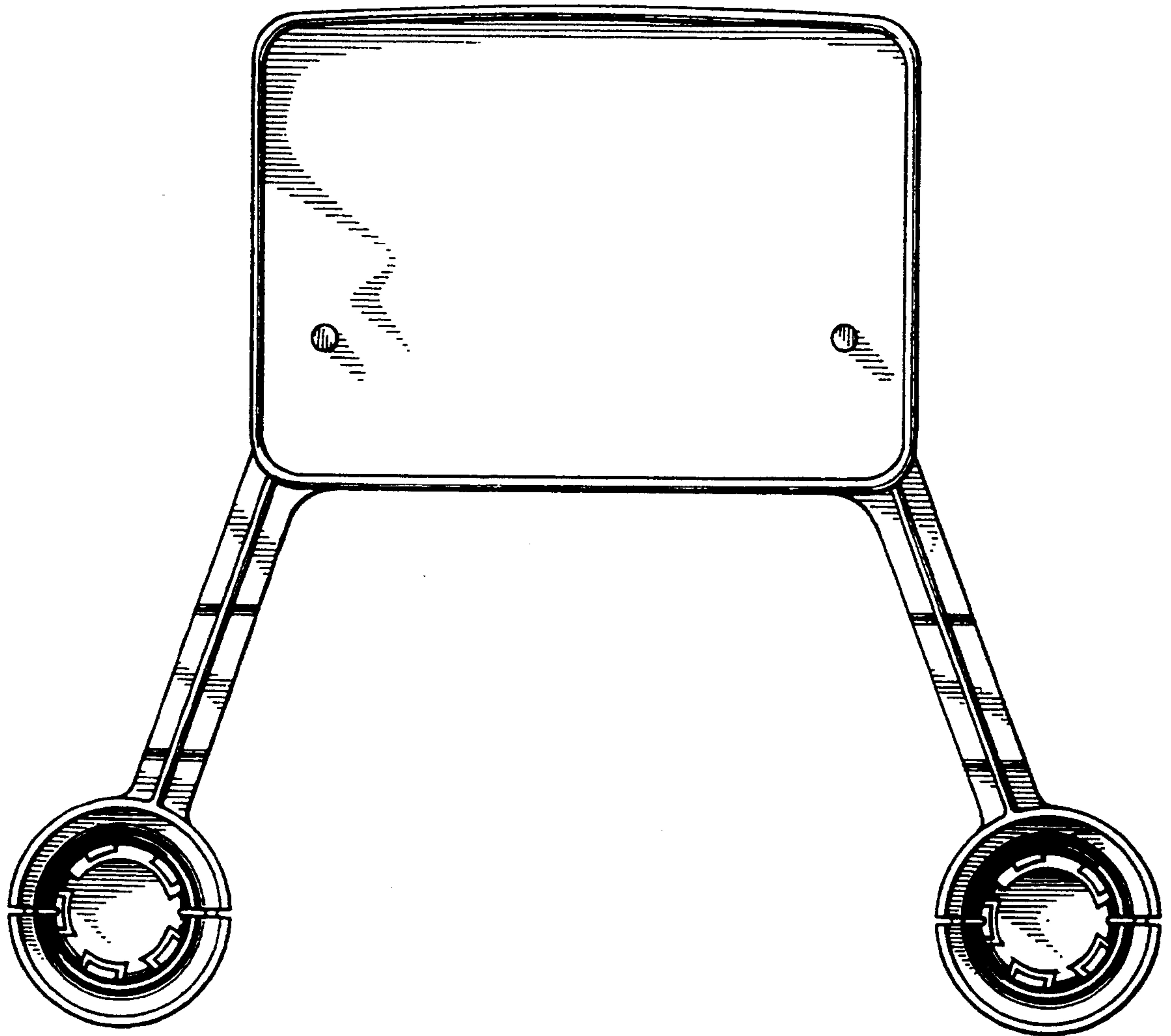


FIG 6

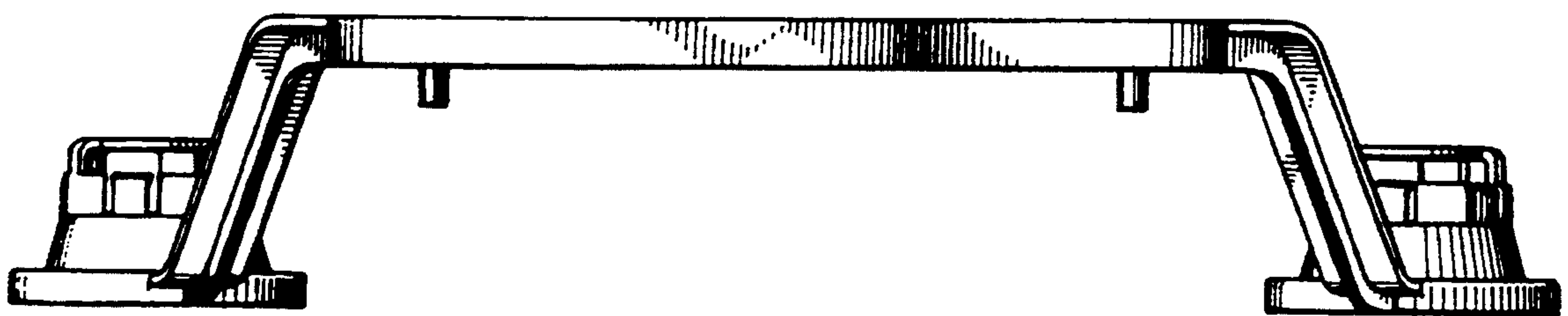


FIG 7