



US00D350454S

# United States Patent [19]

[11] Patent Number: **Des. 350,454**

Wong

[45] Date of Patent: **\*\* Sep. 13, 1994**

[54] **COFFEE MAKER**

[75] Inventor: **Joseph Fu-Keung Wong, Centre, Hong Kong**

[73] Assignee: **Motor Electric Manufacturing Co., Inc., Hong Kong**

[\*\*] Term: **14 Years**

[21] Appl. No.: **3,110**

[22] Filed: **Dec. 28, 1992**

[30] **Foreign Application Priority Data**

Jun. 29, 1992 [GB] United Kingdom ..... 2023919

[52] U.S. Cl. .... **D7/310; D7/318; D7/319**

[58] Field of Search ..... **D7/300, 305, 306, 307, D7/309, 507, 310, 311, 312, 316, 317, 318, 319, 601, 602, 619; 99/279, 280**

[56] **References Cited**

**U.S. PATENT DOCUMENTS**

- D. 204,152 3/1966 Knodt ..... D7/310
- D. 286,848 11/1986 Levin ..... D7/307
- D. 295,888 5/1988 Schulein et al. .... D7/310 X
- D. 306,246 2/1990 Rauch ..... D7/310 X

- D. 311,298 10/1990 Mollenhoff ..... D7/310 X
- D. 335,421 5/1993 Glassen ..... D7/309
- D. 343,981 2/1974 Ferrara, Jr. .... D7/309
- 4,027,779 6/1977 De Long ..... D7/307 X

**OTHER PUBLICATIONS**

Espressomaker, Schoner Wohnen, p. 50 Aug. 1985.  
Coffeemaker (middle right top) p. 45 of "Form" Jan. 1986.  
Singles Drip Coffeemaker, HFD Jan. 16, 1987 p. 4.

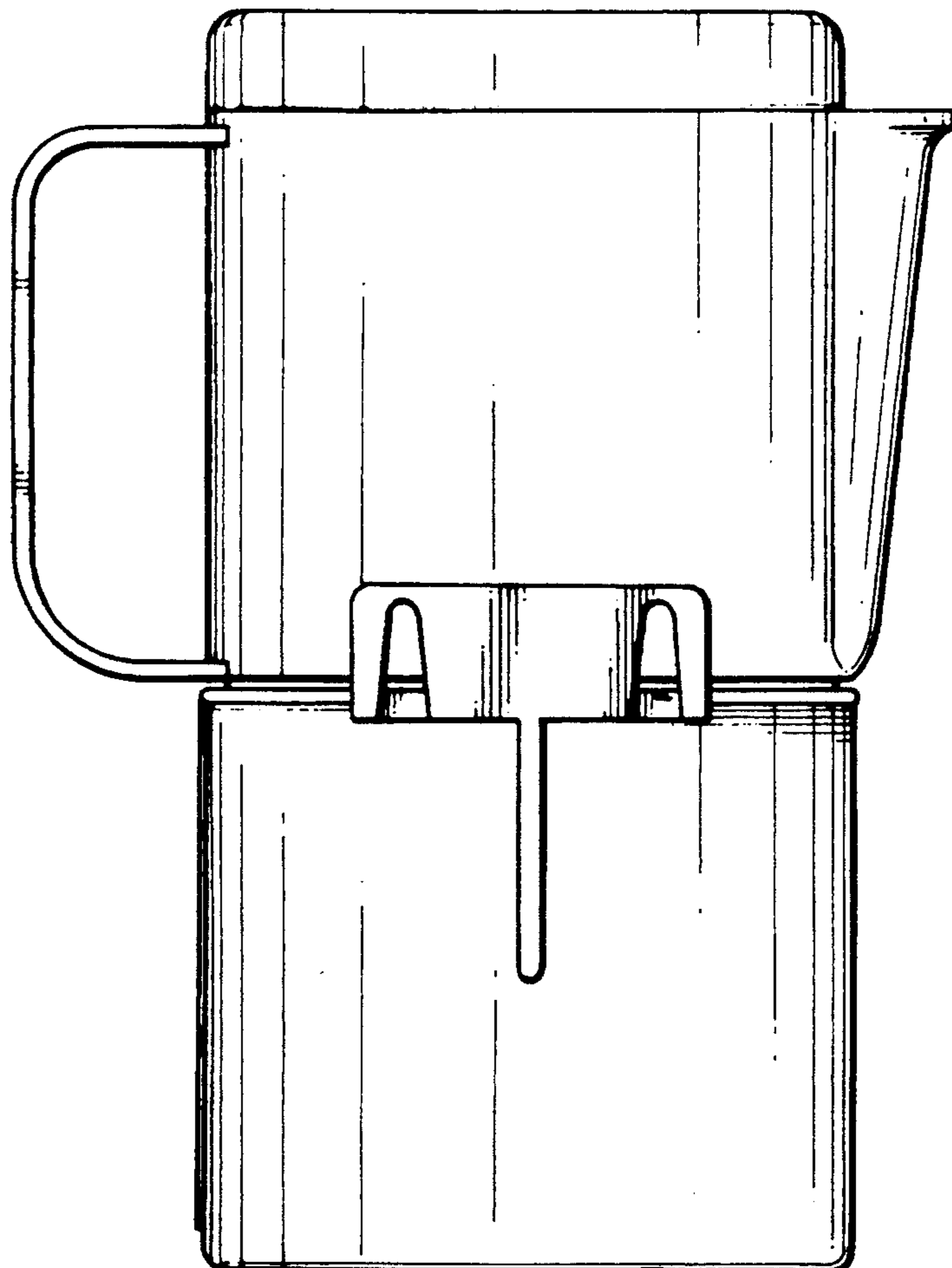
*Primary Examiner*—Alan P. Douglas  
*Assistant Examiner*—M. N. Pandozzi  
*Attorney, Agent, or Firm*—Burns, Doane, Swecker & Mathis

[57] **CLAIM**

The ornamental design for a coffee maker, as shown and described.

**DESCRIPTION**

FIG. 1 is the front elevational view showing my new design;  
FIG. 2 is the rear elevational view thereof;  
FIG. 3 is the left side view thereof;  
FIG. 4 is the right side view thereof;  
FIG. 5 is the top plan view thereof; and,  
FIG. 6 is the bottom plan view thereof.



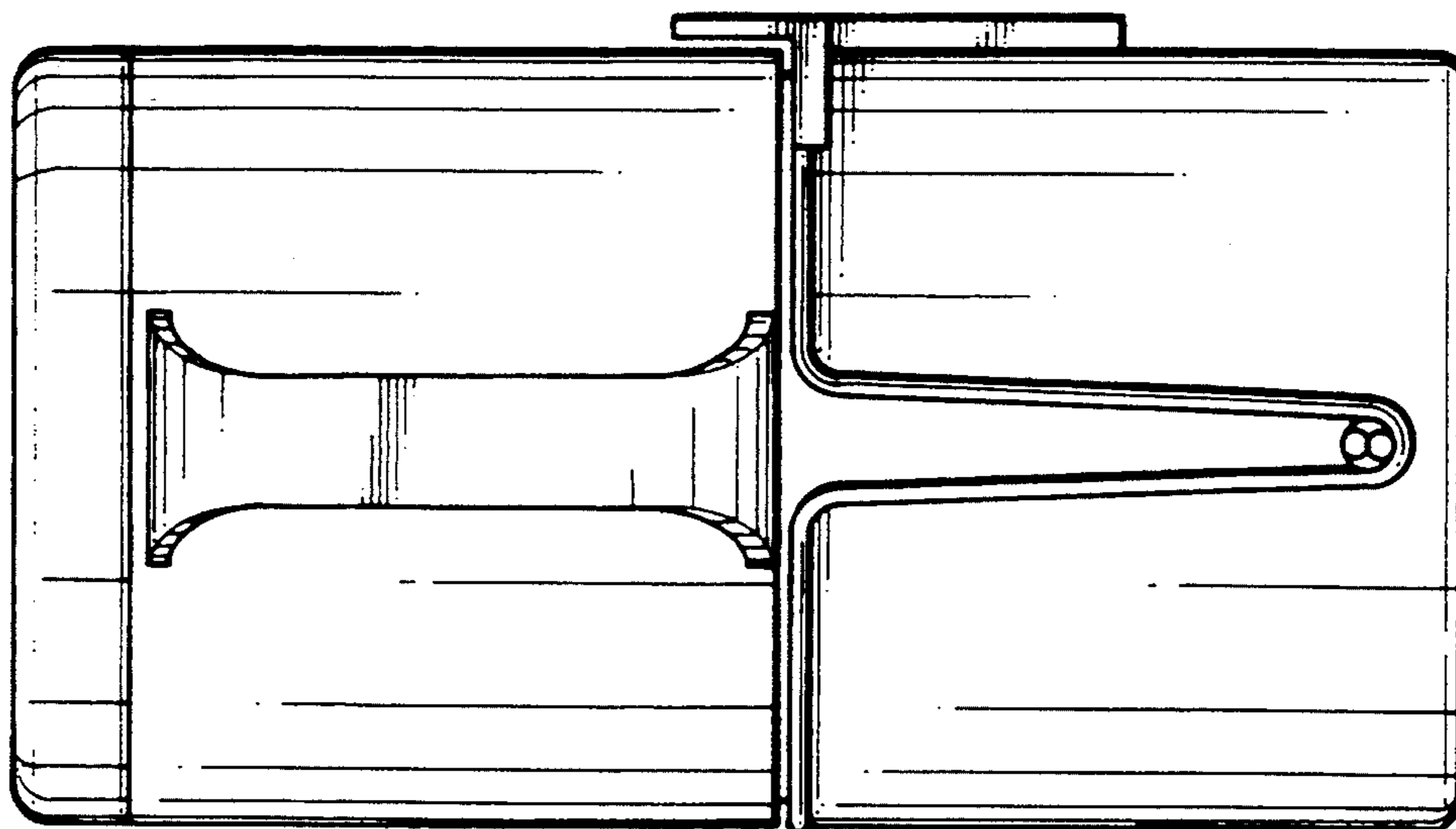


FIG. 2

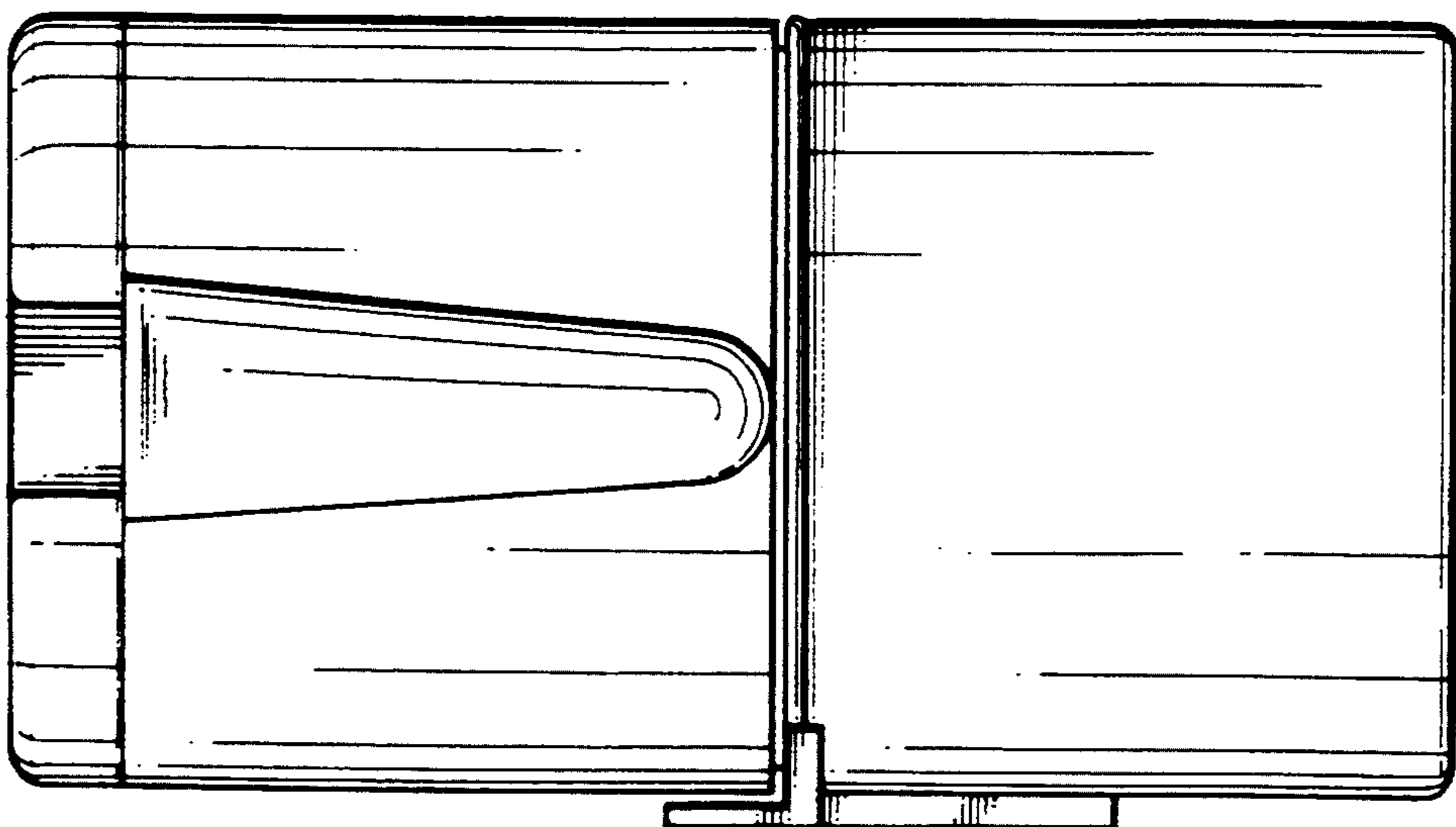


FIG. 1

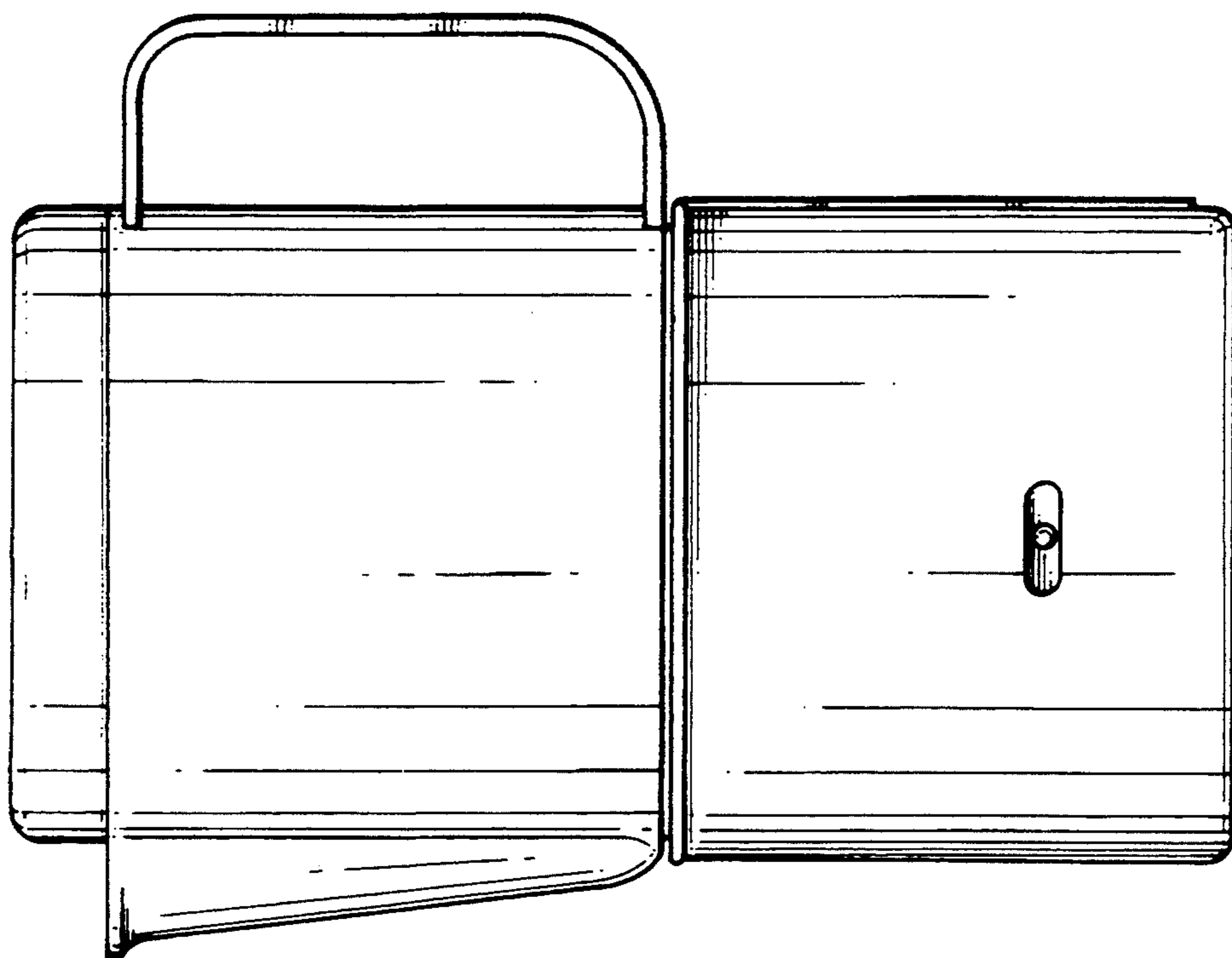


FIG. 4

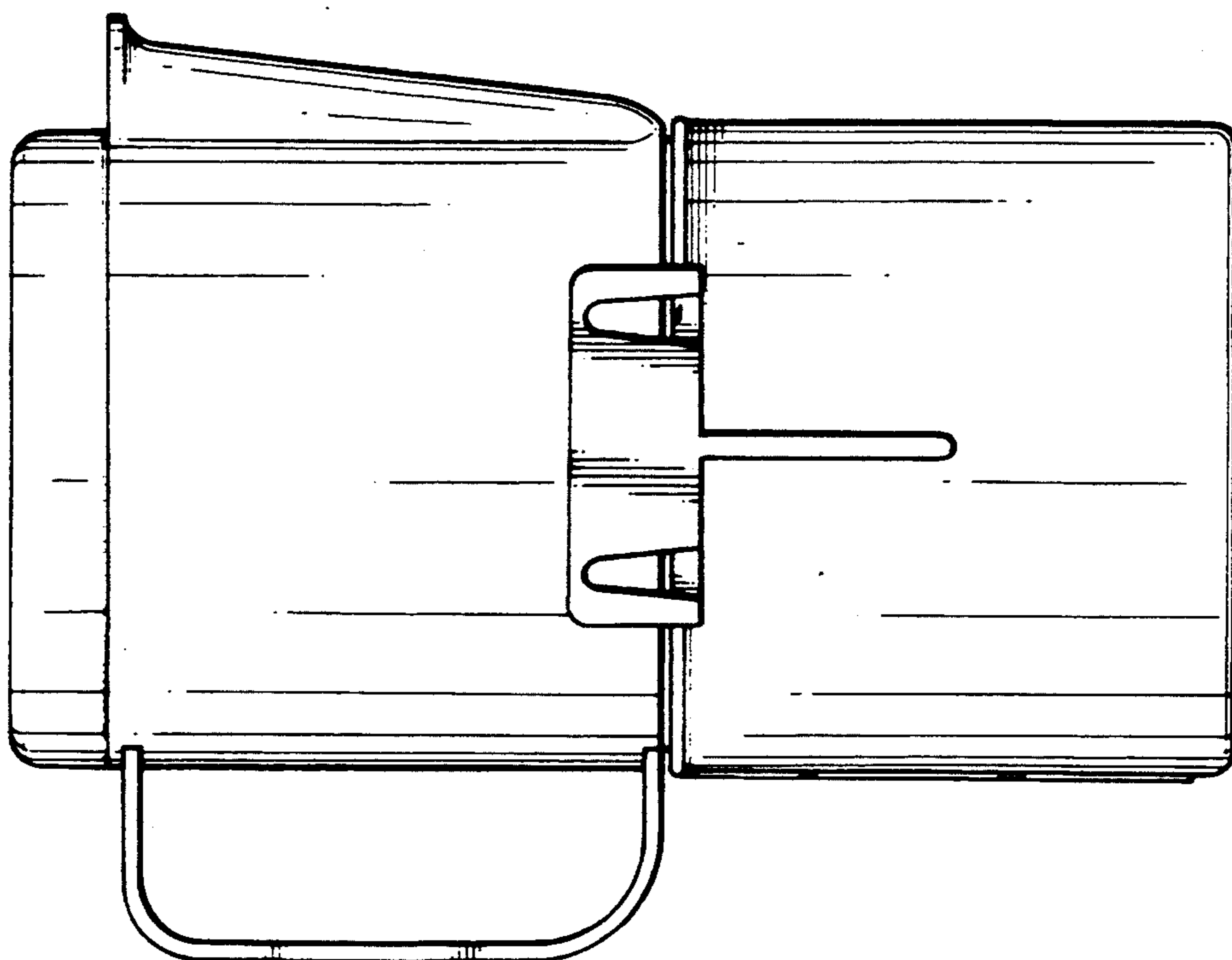


FIG. 3

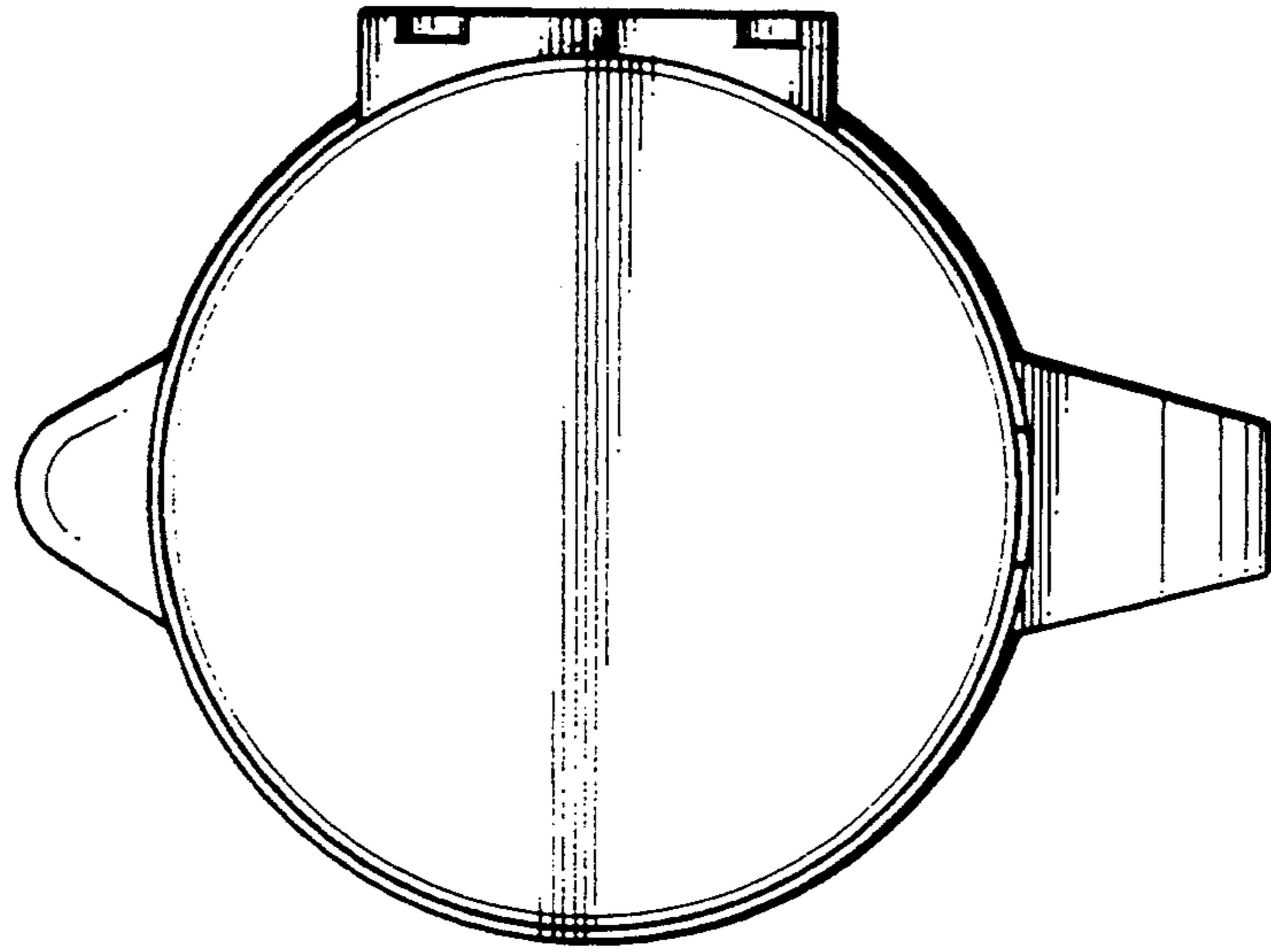


FIG. 6

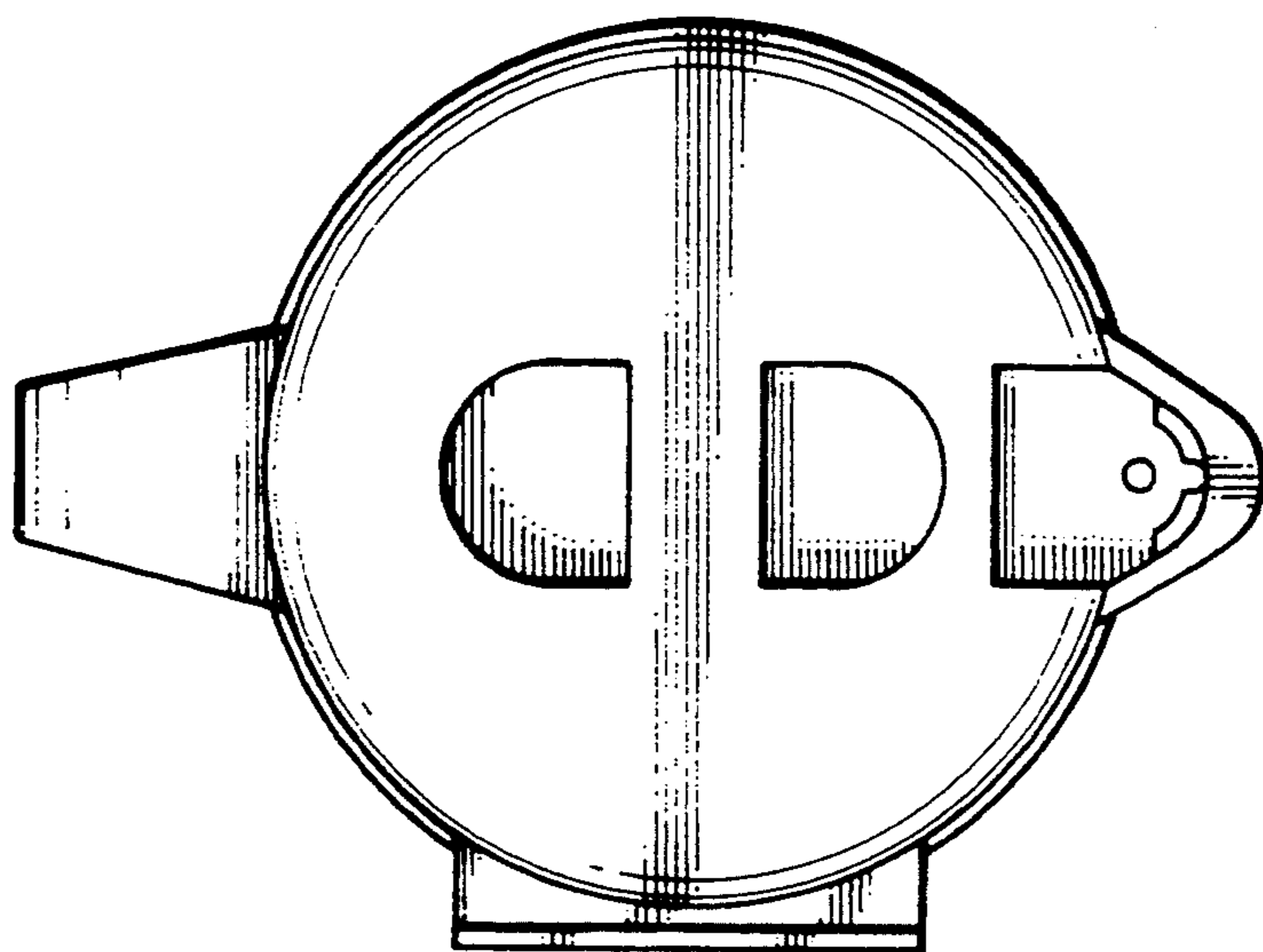


FIG. 5