



US00D350451S

United States Patent [19]

[11] Patent Number: Des. 350,451

Dickson

[45] Date of Patent: ** Sep. 13, 1994

- [54] **MULTIPURPOSE FOOD MIXING AND BLENDING APPLIANCE**
- [75] Inventor: **Thomas D. Dickson**, Highland, Utah
- [73] Assignee: **K-Tec, Inc.**, Orem, Utah
- [**] Term: **14 Years**
- [21] Appl. No.: **936,847**
- [22] Filed: **Aug. 28, 1992**
- [52] U.S. Cl. **D7/384; D7/376; D7/378**
- [58] **Field of Search** **D7/376-378, D7/381, 384, 386, 412; 241/37.5, 92.93, 101.1, 199.12, 282.1, 282.2**

- [56] **References Cited**
- U.S. PATENT DOCUMENTS**
- D. 272,120 1/1984 Sawada et al. D7/378 X
- D. 297,901 10/1988 Barrault D7/381 X
- 4,153,210 5/1979 Schaeffer 241/282.1

OTHER PUBLICATIONS

Williams-Somoma; Mar. 1986; p. 23, #G-Kitchenetics Gourmet Champ.

Advertising flyer for The Bosch "Universal", Kitchen System.

Advertising flyer for The Bosch "Paris", Electronic Kitchen Machine.

Primary Examiner—Alan P. Douglas
Assistant Examiner—Caron D. Veynar
Attorney, Agent, or Firm—Mallinckrodt & Mallinckrodt

[57] **CLAIM**

The ornamental design for a multipurpose food mixing and blending appliance, as shown and described.

DESCRIPTION

FIG. 1 is a perspective view of the multipurpose food mixing and blending appliance showing my new design; FIG. 2 is a perspective view of the device of FIG. 1 shown without mixing and blending receptacles; FIG. 3 is a top plan view thereof; FIG. 4 is a rear elevational view thereof; FIG. 5 is a front elevational view thereof; FIG. 6 is a side elevational view taken from the left hand side thereof; FIG. 7 is a side elevational view taken from the right hand side thereof; and, FIG. 8 is a bottom plan view thereof.

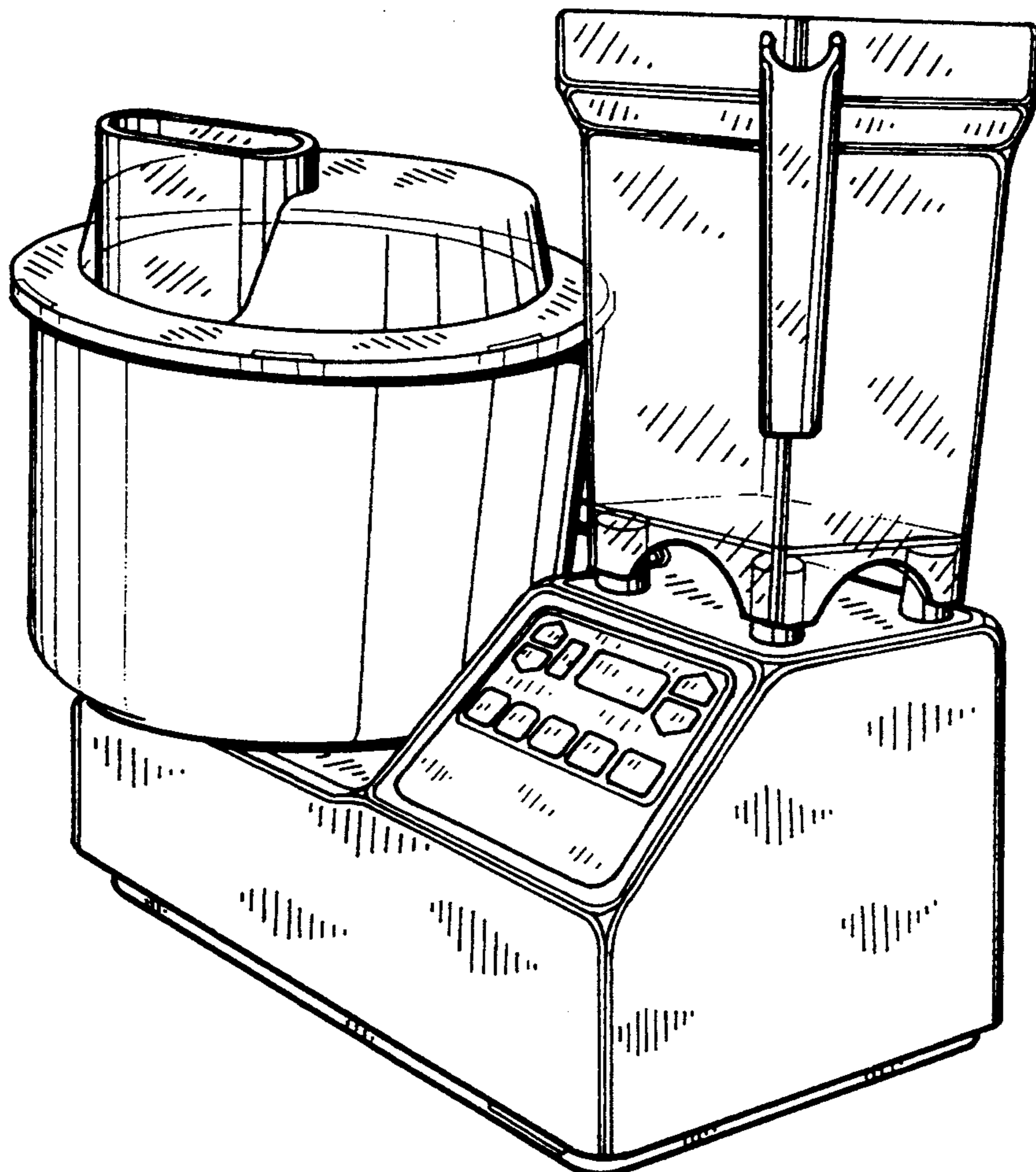
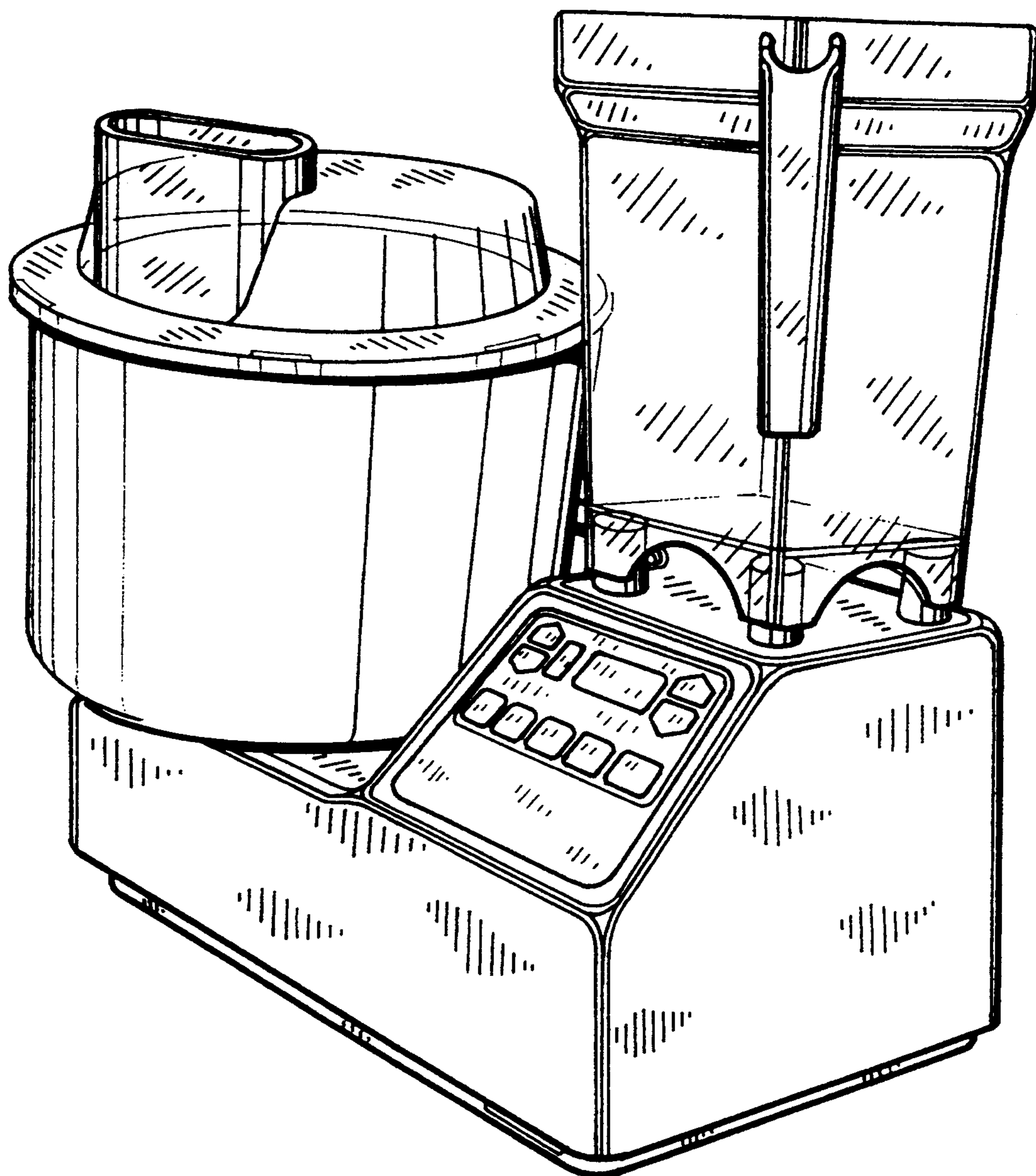


FIG. 1



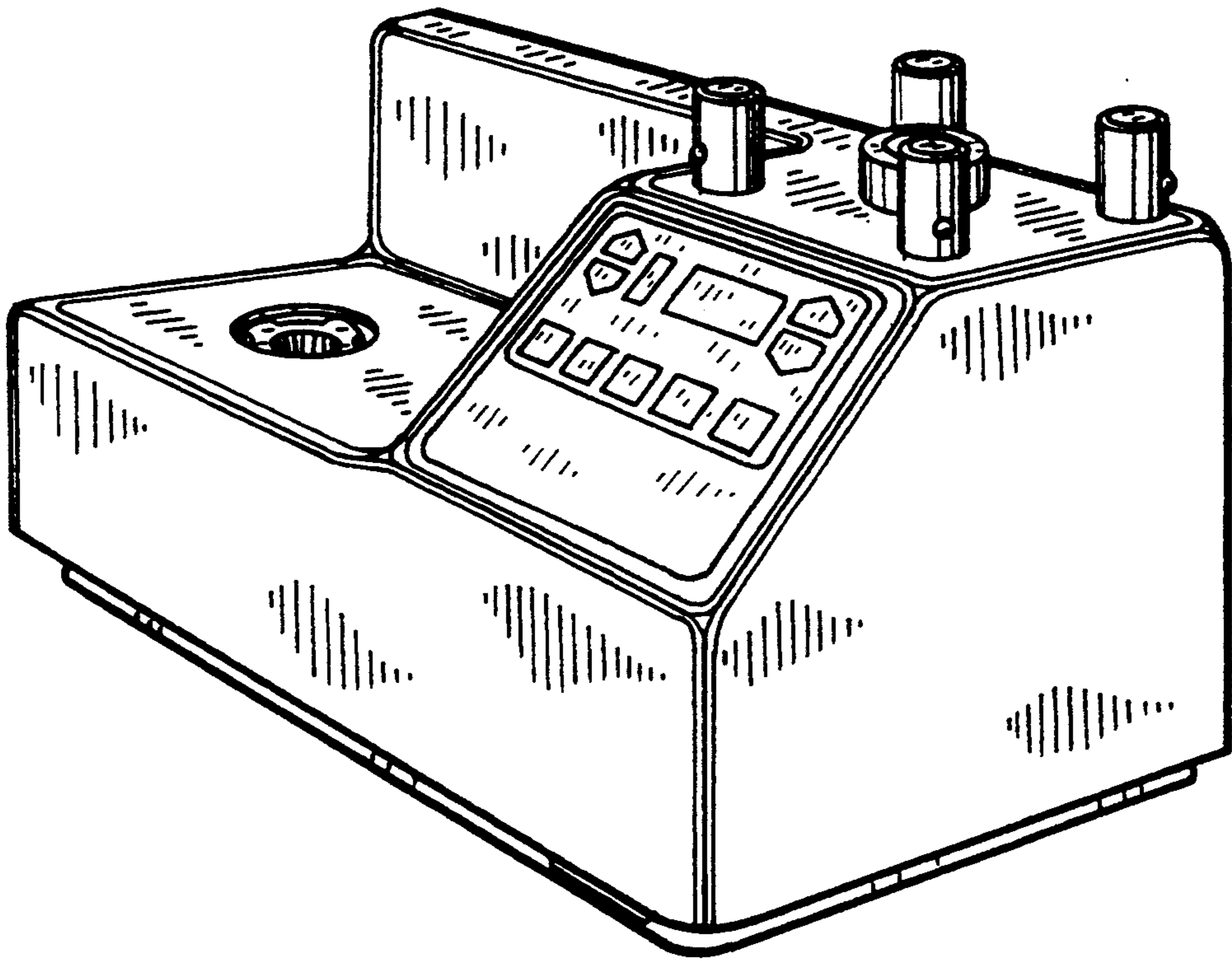


FIG. 2

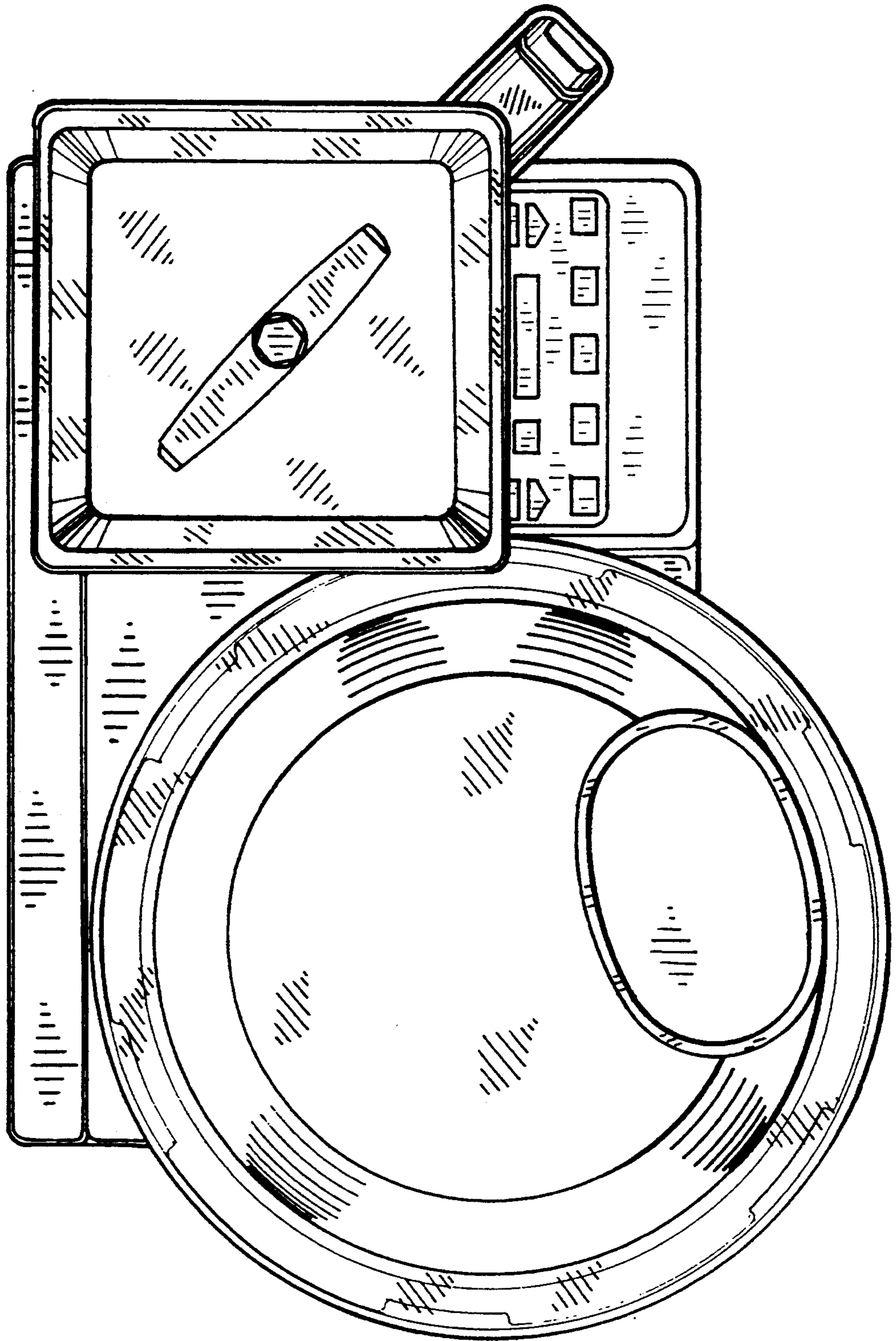


FIG. 3

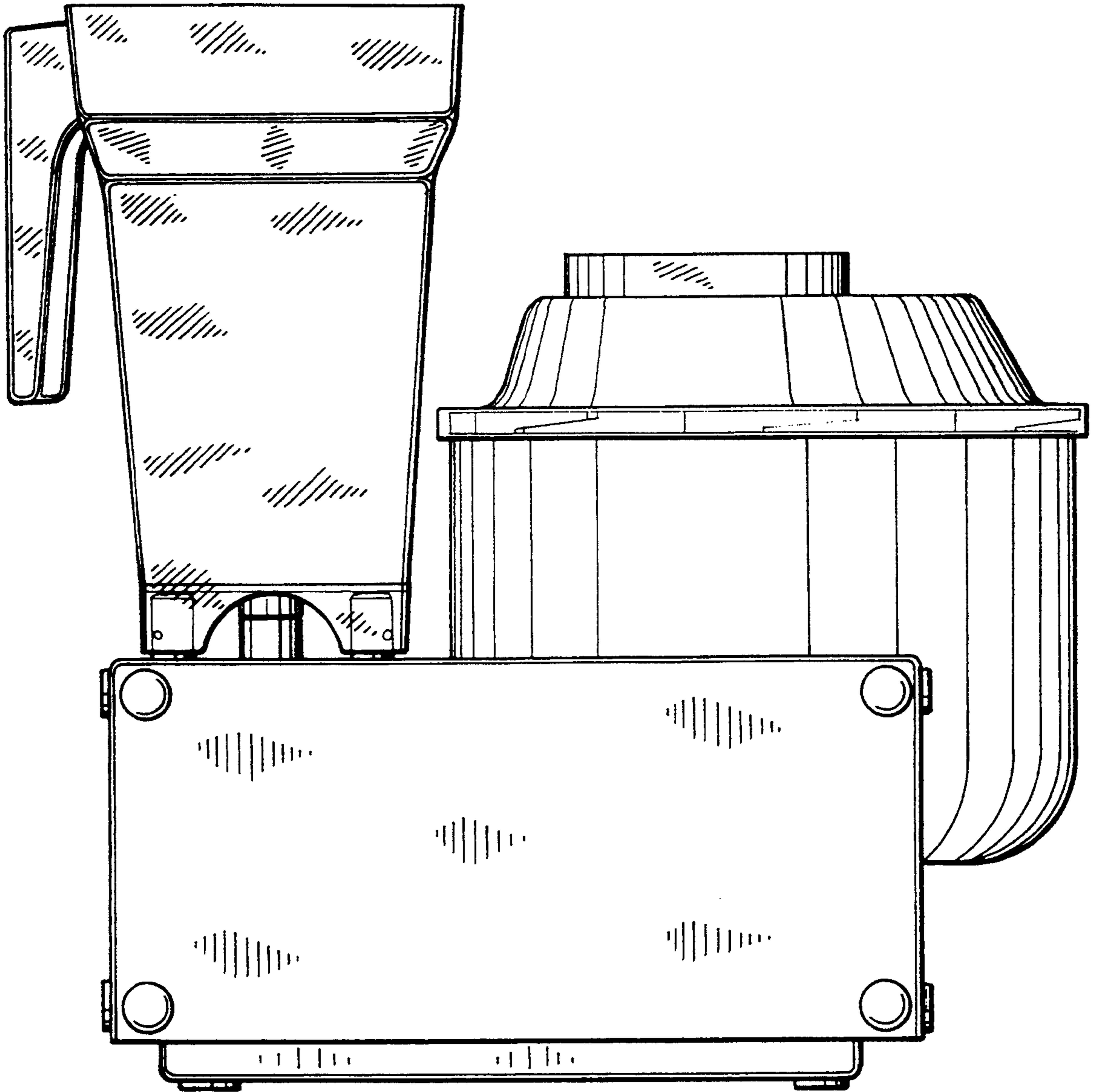


FIG. 4

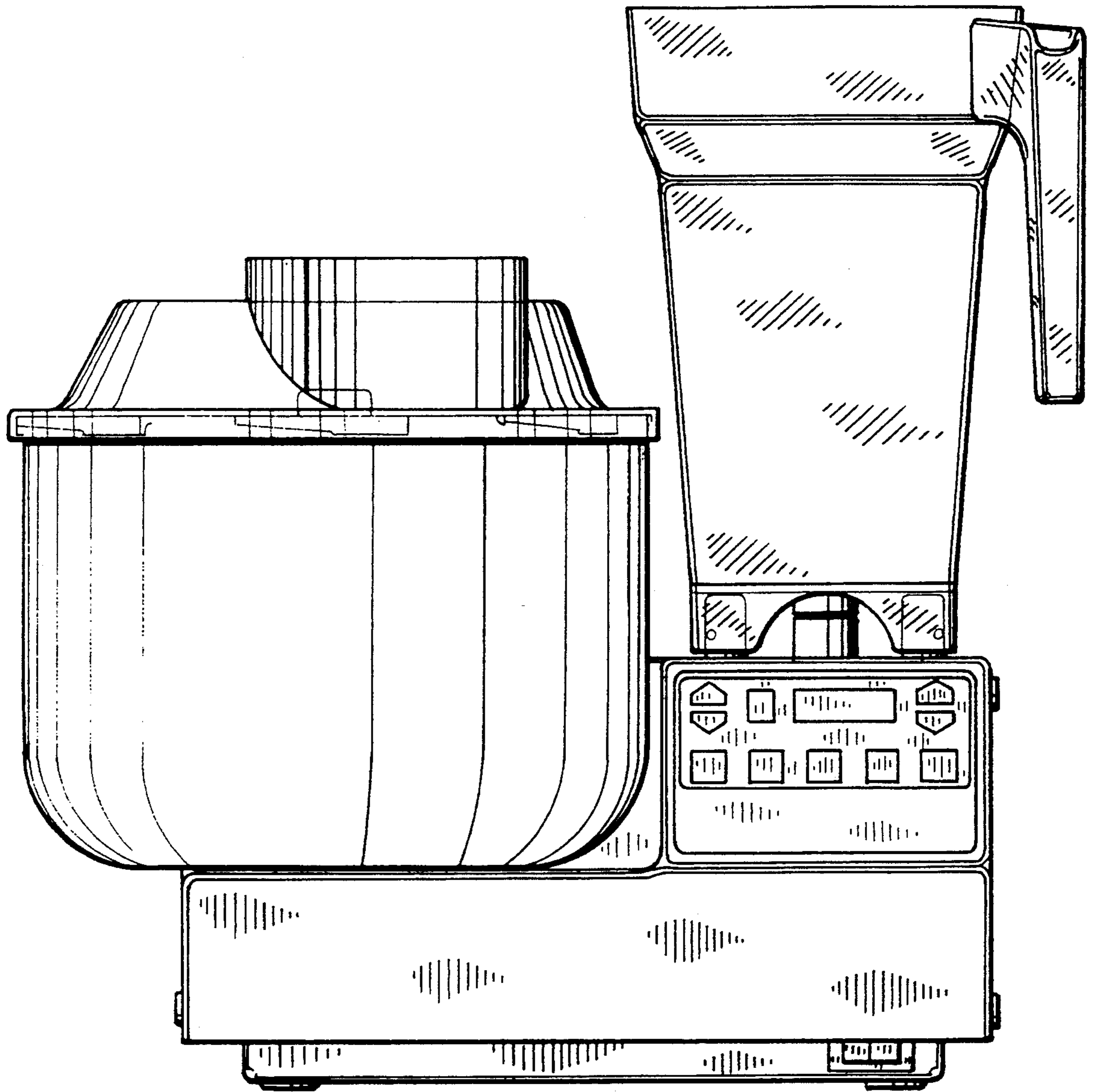


FIG. 5

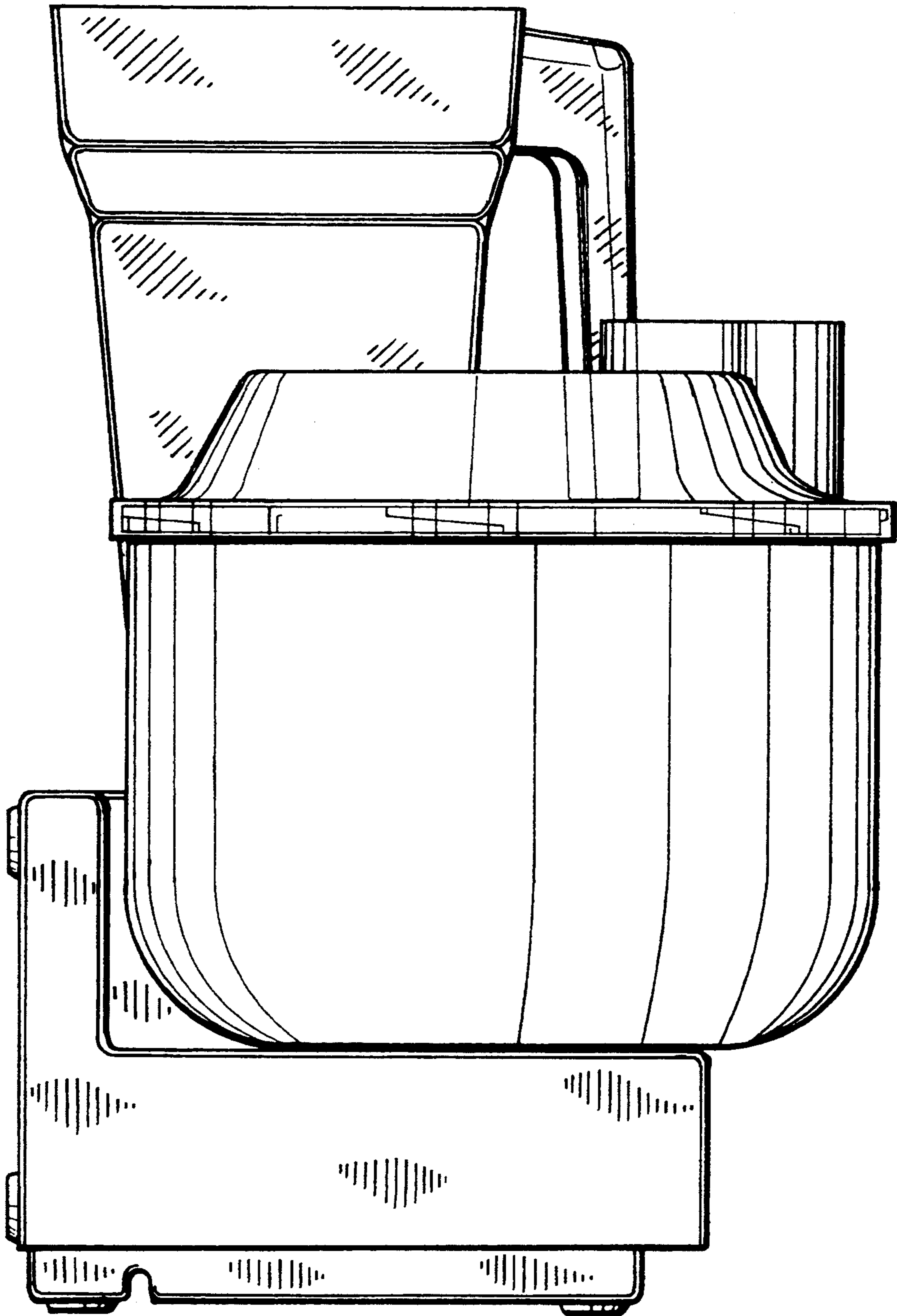


FIG. 6

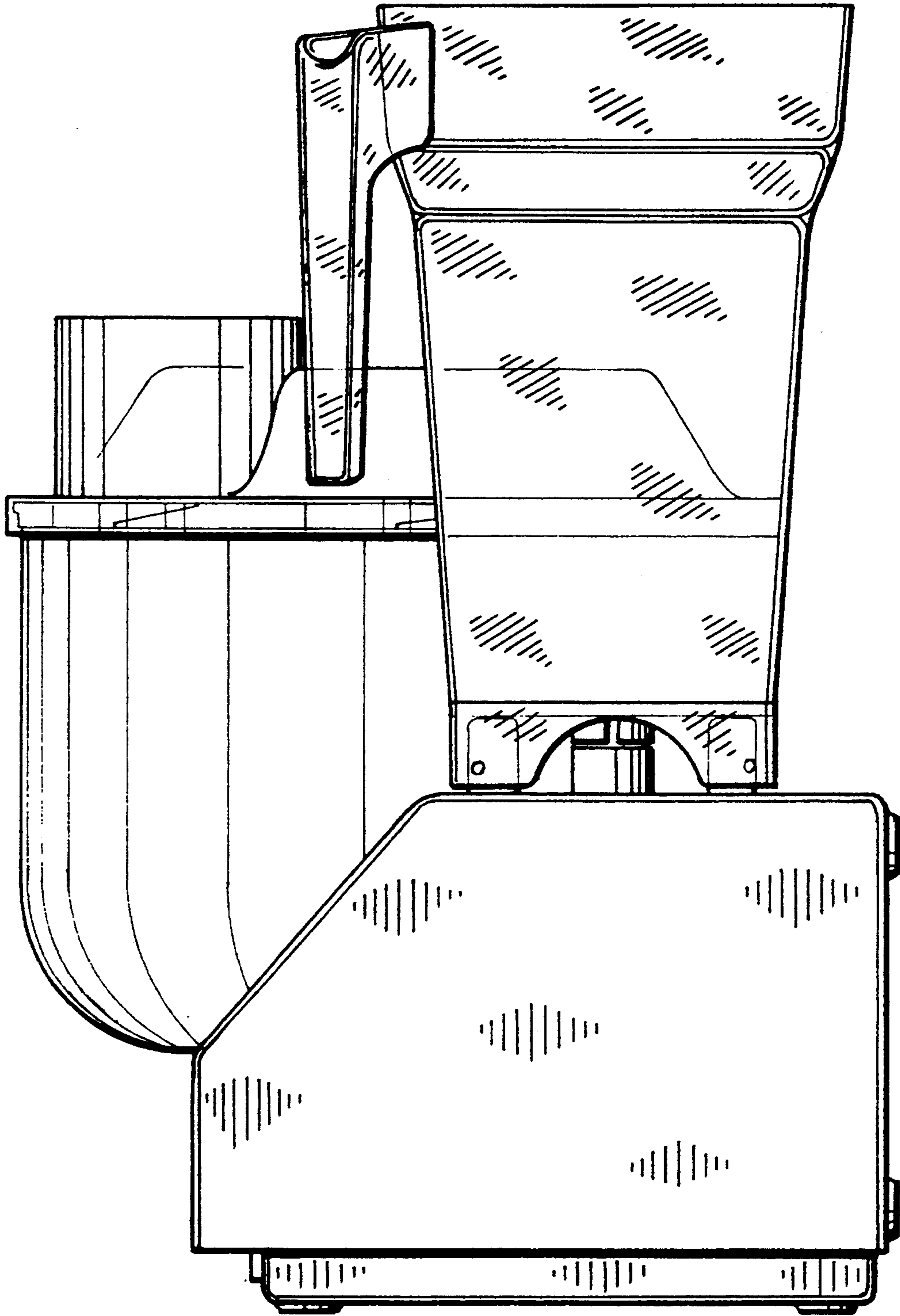


FIG. 7

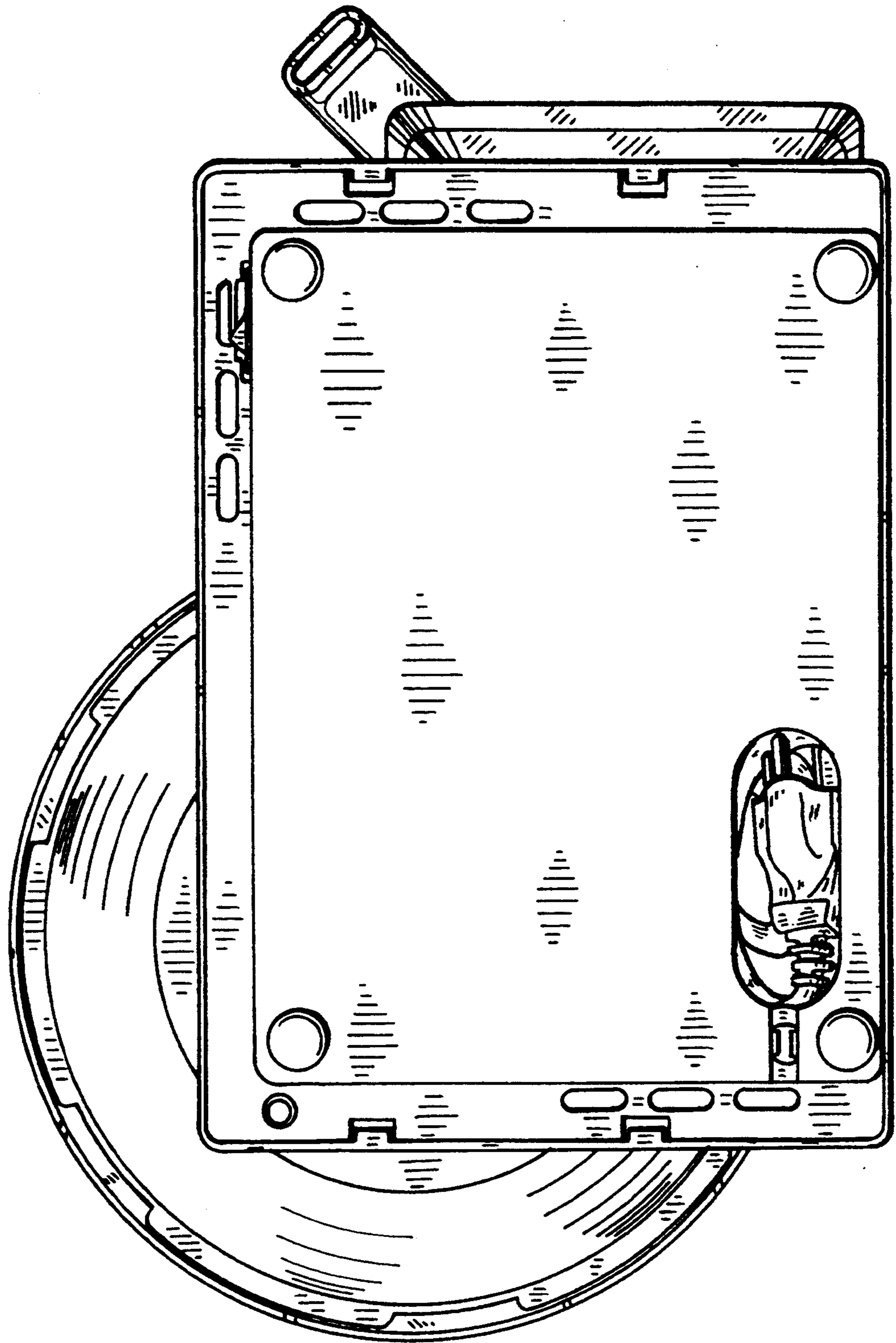


FIG. 8