



US00D350448S

United States Patent [19] Hill

[11] Patent Number: **Des. 350,448**
[45] Date of Patent: **** Sep. 13, 1994**

[54] **COMPACT DISK HOLDER**
[76] Inventor: **Michael R. Hill**, 1422 SE. Johnson
Creek Blvd., Milwaukie, Oreg. 97222
[**] Term: **14 Years**
[21] Appl. No.: **5,405**
[22] Filed: **Mar. 3, 1993**
[52] U.S. Cl. **D6/630; D6/633**
[58] Field of Search **D3/249; D6/407, 448,**
D6/468, 626, 627, 628, 629, 630, 631, 632, 633,
634, 635; 206/45.23, 309, 311, 312, 387, 444;
D9/425, 424; D19/75, 76

2,333,798 11/1943 Kner 206/312
3,374,041 3/1968 Davis D6/633
4,473,153 9/1984 Colangelo 206/312
4,762,225 8/1988 Henkel 206/309
5,193,681 3/1993 Lievsay 206/444

Primary Examiner—A. Hugo Word
Assistant Examiner—Celia A. Murphy
Attorney, Agent, or Firm—Marger, Johnson, McCollom
& Stolowitz

[57] CLAIM

The ornamental design for a compact disk holder, as shown and described.

DESCRIPTION

FIG. 1 is a perspective view of the invention as opened, showing my new design;
FIG. 2 is a front elevational view thereof shown in a closed position;
FIG. 3 is a right side elevational view of FIG. 2;
FIG. 4 is a rear elevational view of FIG. 2;
FIG. 5 is a top plan view of FIG. 2, and,
FIG. 6 is a bottom plan view of FIG. 2.

[56] **References Cited**
U.S. PATENT DOCUMENTS
D. 110,240 6/1938 Chambers D19/75
D. 272,016 1/1984 Blair D3/249
D. 303,042 8/1989 Mackey D6/630
D. 314,213 1/1991 Bishop D3/249
D. 332,005 12/1992 Walasek D6/630
2,261,806 11/1941 Hills 206/309

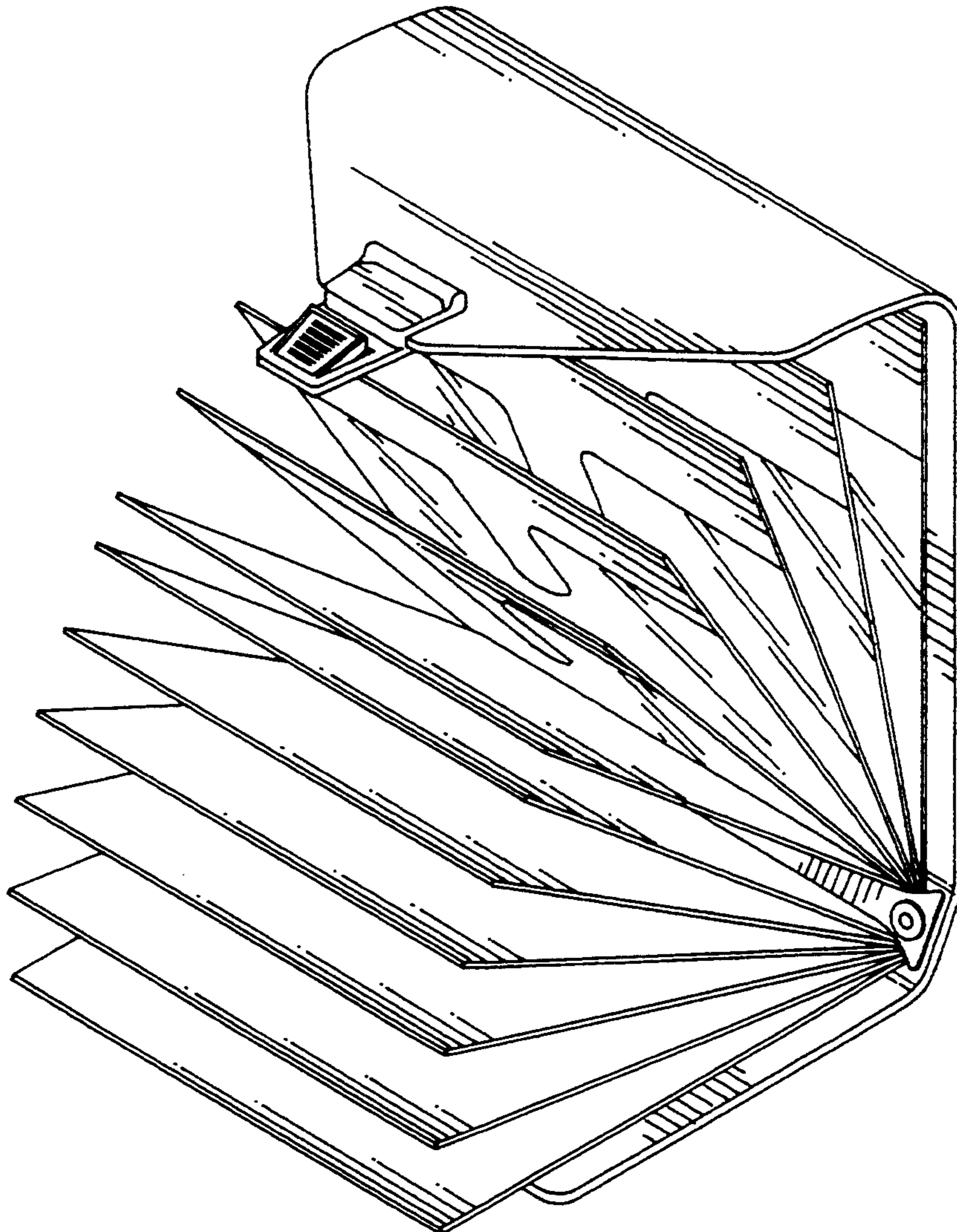
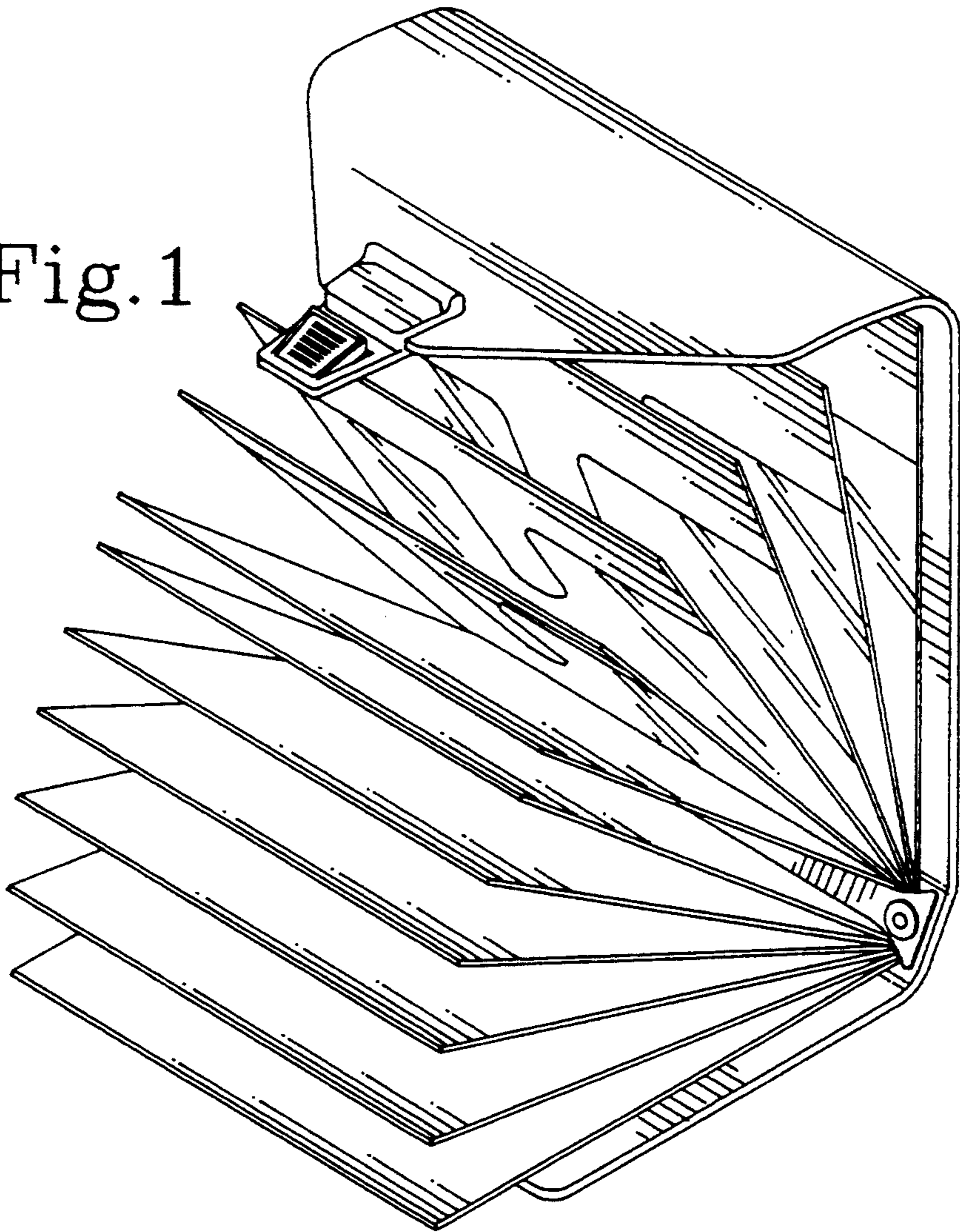


Fig. 1



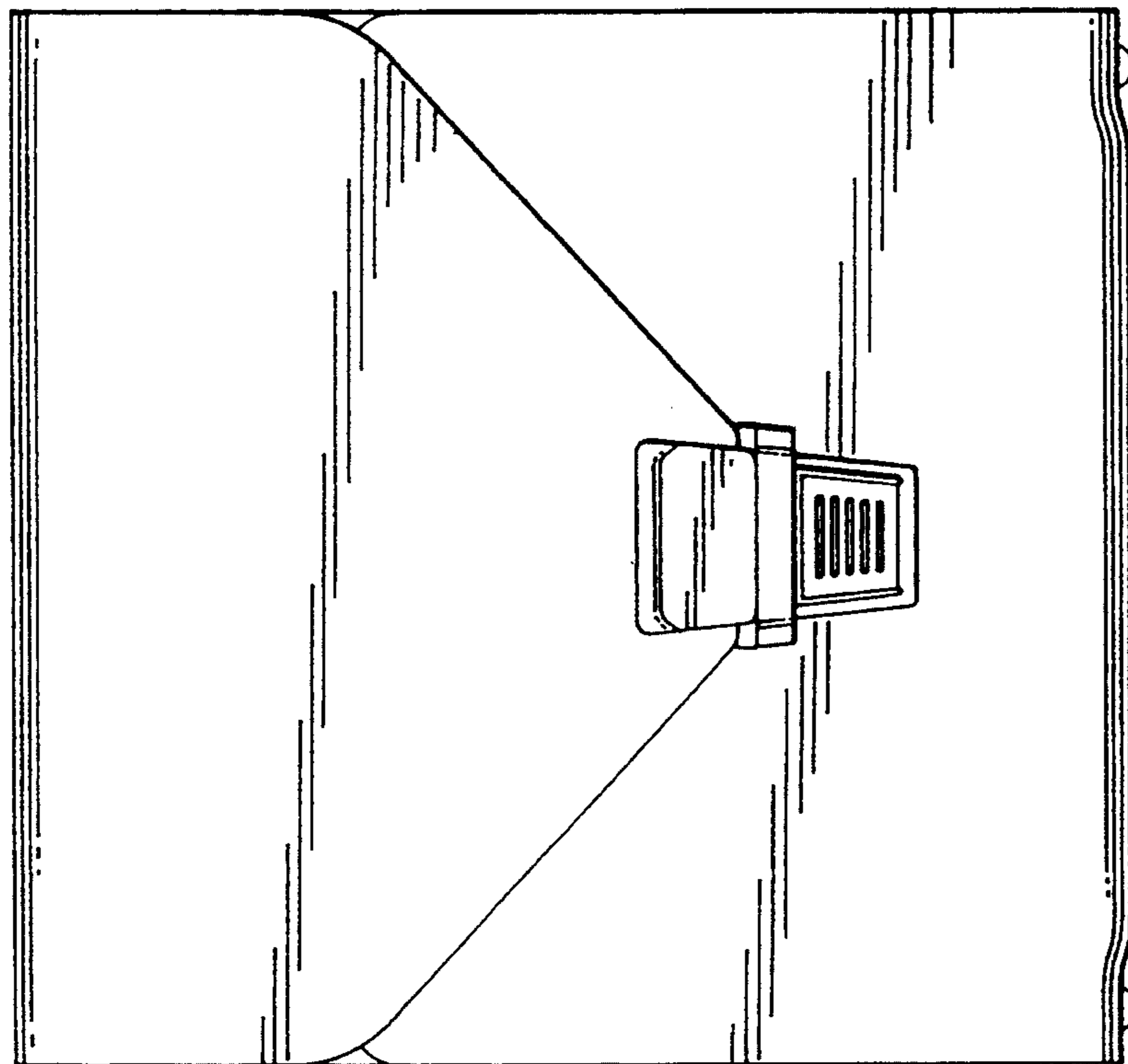


Fig. 2

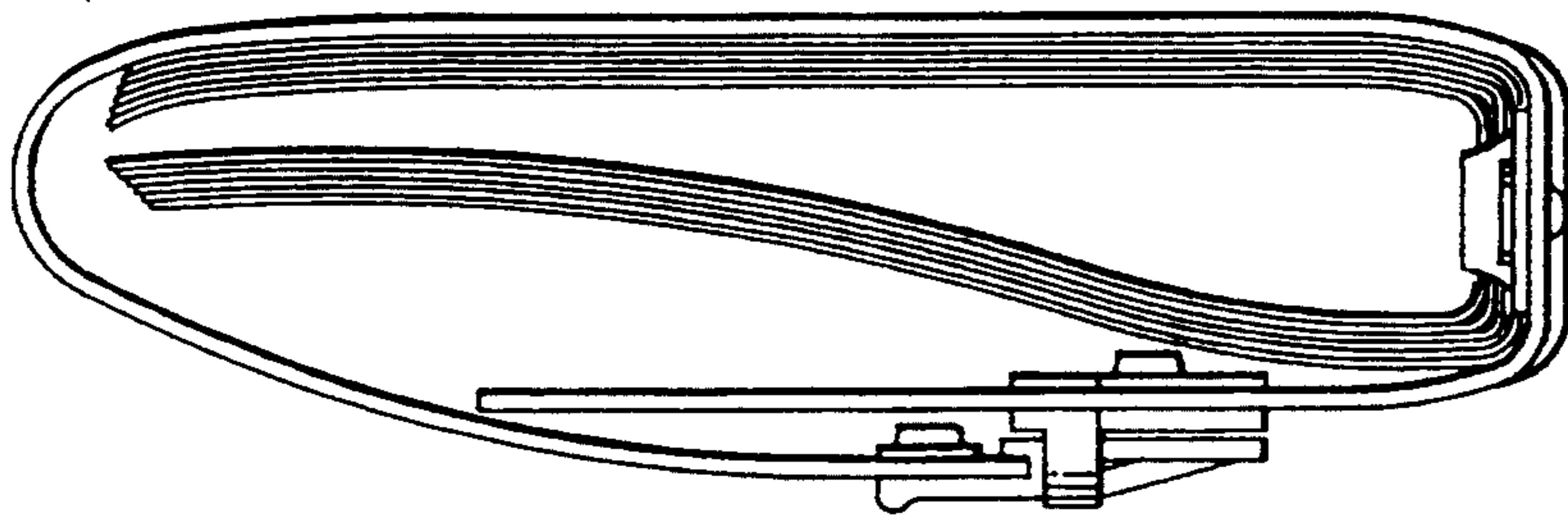


Fig. 3

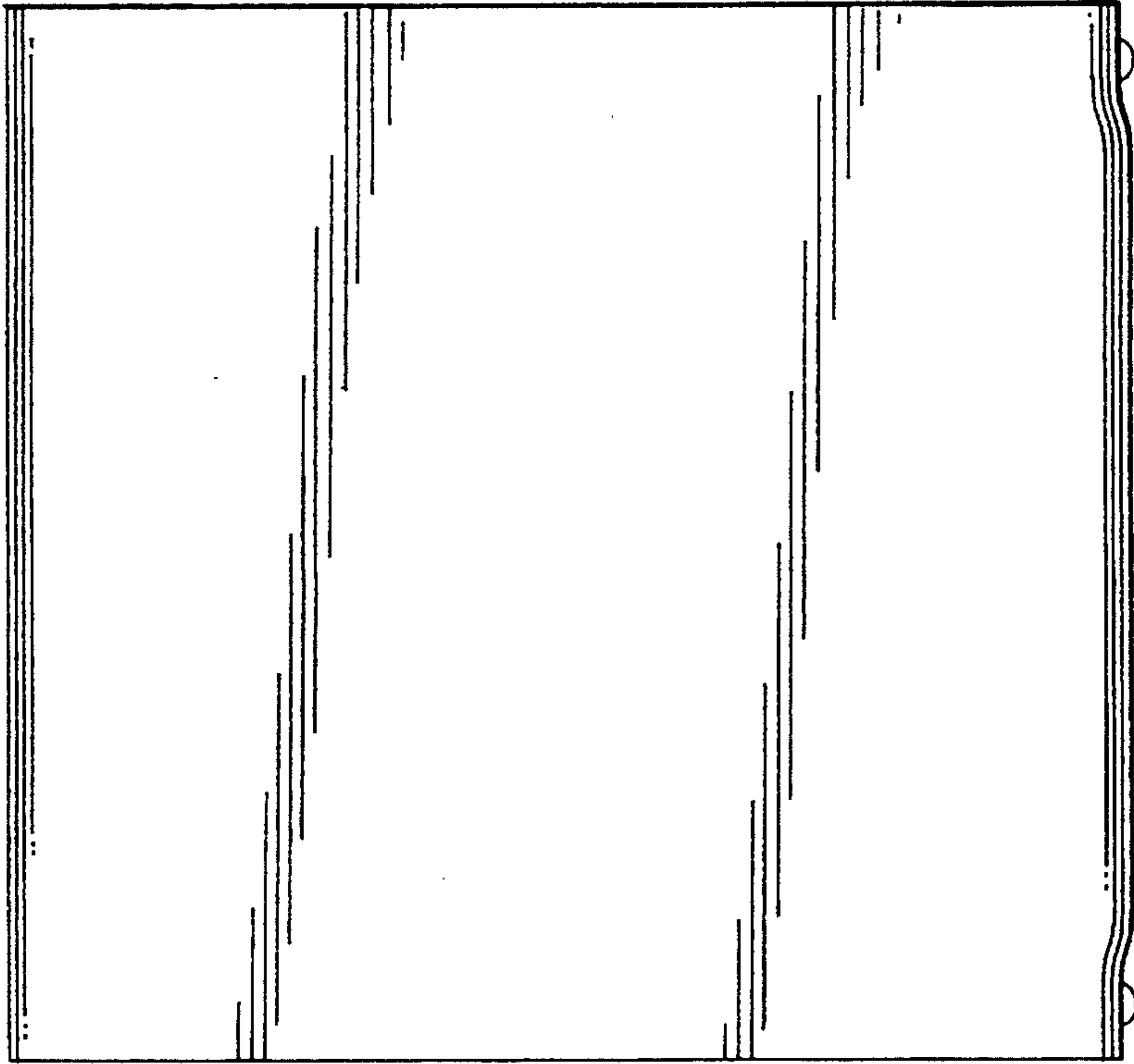


Fig. 4

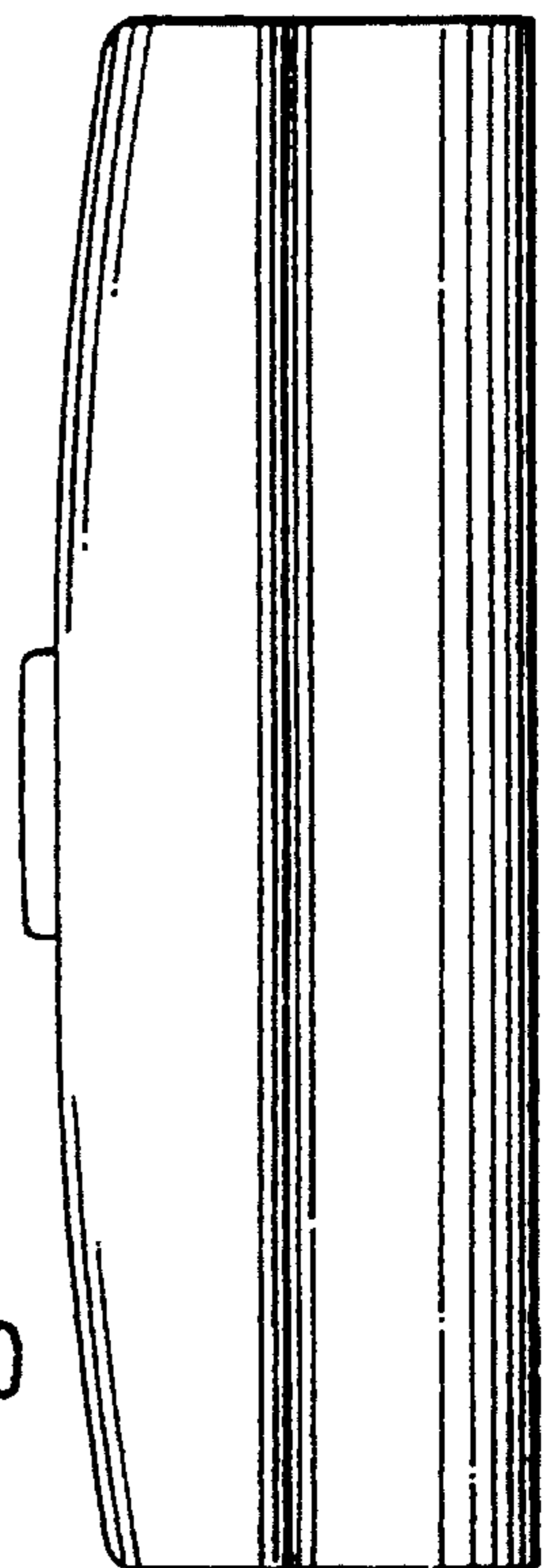


Fig. 5

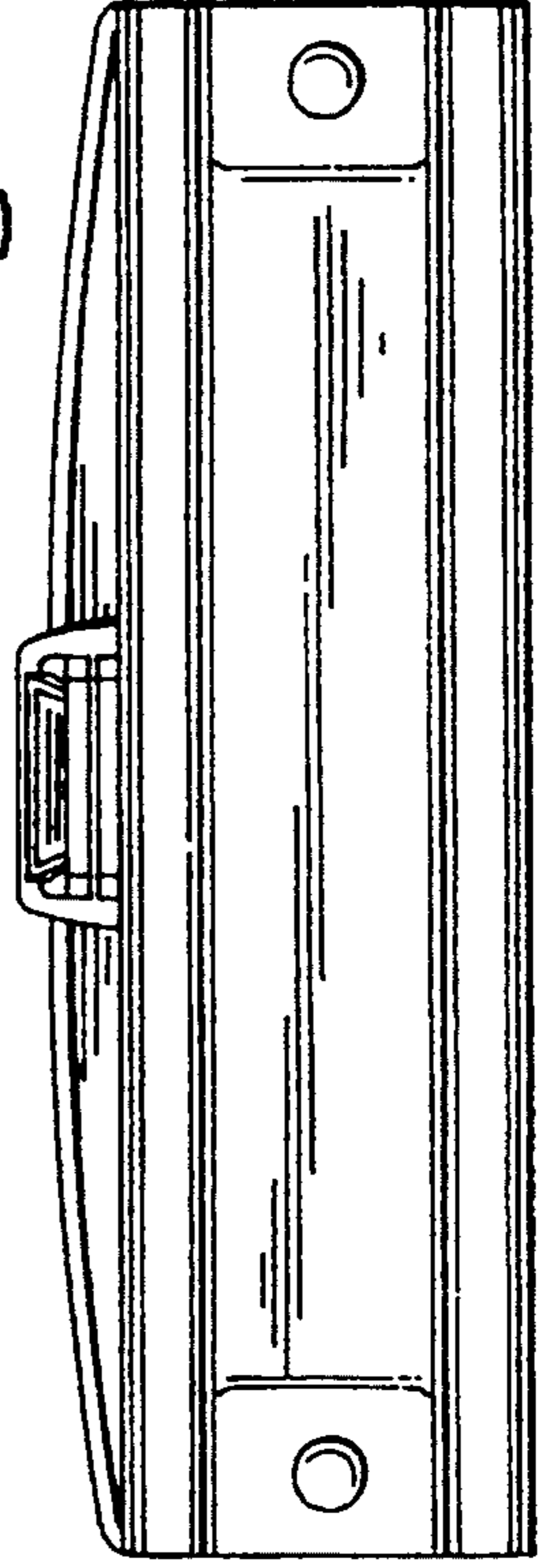


Fig. 6