



US00D350446S

# United States Patent [19] Sauvage

[11] Patent Number: Des. 350,446

[45] Date of Patent: \*\* Sep. 13, 1994

- [54] TABLE SUPPORT STAND
- [75] Inventor: **Thomas Sauvage**, Huntersville, N.C.
- [73] Assignee: **Rubbermaid Incorporated**, Wooster, Ohio
- [\*\*] Term: **14 Years**
- [21] Appl. No.: **49,622**
- [22] Filed: **Apr. 19, 1993**

### Related U.S. Application Data

- [62] Division of Ser. No. 820,962, Jan. 15, 1992, abandoned.
- [52] U.S. Cl. .... **D6/487; D6/480**
- [58] Field of Search ..... **D6/480, 482-489, D6/495, 496, 498, 499, 511, 429-431; 108/150, 152, 153, 161**

### [56] References Cited

#### U.S. PATENT DOCUMENTS

D. 48,986	5/1916	Pfefferkorn et al. ....	D6/480
D. 98,138	1/1936	Bevelacqua .	
D. 165,829	2/1952	Dorr .....	D33/14
D. 172,870	8/1954	Eppenstein .....	D6/488 X
D. 189,753	2/1961	Clark .....	D6/487 X
D. 193,859	10/1962	Nissen et al. ....	D34/5
D. 193,861	10/1962	Nissen et al. ....	D6/498 X
D. 263,774	4/1982	Deconinck .....	D6/146
D. 280,371	9/1985	Bayly .....	D6/484
D. 286,592	11/1986	Deconinck .....	D6/430
D. 289,476	4/1987	Holl .....	D6/487
D. 290,319	6/1987	Deconinck .....	D6/488
D. 293,862	1/1988	Hubert .....	D6/430
D. 296,399	6/1988	Epp .....	D6/484
D. 296,738	7/1988	Hubert .....	D6/486
D. 308,611	6/1990	Hubert .....	D6/486
D. 317,537	6/1991	Pino .....	D6/484
D. 317,839	7/1991	Pino .....	D6/484
4,003,320	1/1977	Owens et al. ....	108/157
4,353,659	10/1982	Comte .....	403/24

#### OTHER PUBLICATIONS

- P. 40, Tables, Johnson Industries, Elgin, Ill. 60120. Publication date 1980.
- P. 106, Table, Monarch Furniture Corp., P.O. Box 1351, Scientific Street, High Point, N.C. 27261. Publication date 1976.

Magazine p. 9, "Casual Living", vol. 30, No. 9, Columbia Communications Inc., 370 Lexington Ave., New York, N.Y. 10017. Publication date Sep. 1987.

Catalog Page, Lawnware, 8220 North Austin Morton Grove, Ill. 60053. It is believed that the product depicted herein has been on sale for more than one (1) year prior to the application date of this instant application.

P. 10, D-Kurz GmbH, Postfach 180, 7120 Bietigheim--Bissingen. It is believed that the product depicted herein has been on sale for more than one (1) year prior to the application date of this instant application.

Sell Sheet, Rentrop, P.A. Rentrop Kunststoffwerk GmbH, D-3035 Hodenhagen/Aller. It is believed that the product depicted herein has been on sale for more than one (1) year prior to the application date of this instant application.

Catalog pp. 10, 17, 20, 22 and 29, Heinz Kettler, Metallwarenfabrik GmbH & Co., D-4763 Ense-Parsit. Publication date Sep. 1986.

Sell Sheet, Kettler, Metallwarenfabrik GmbH & Co., D-4763 Ense-Parsit. Publication date Sep. 1986.

Catalog page, Gardentime by EMU, 06055 Marsciano (Perugia) Italy, Via B Buoizzi, 31. Publication date unknown.

Pp. 7, 13 and 23, Darlot Leisure & Garden Furniture, Karl Munkel GmbH & Co., KG Holz-Und Kunststoffwerk, Henkenstrasse 59-67, Post. 1262, 4837 Verl 1. Publication date 1987.

Catalog Page, EMU USA Inc. Corp., 2318 Fraver Dr., Reading, Pa. 19605. Publication date unknown.

(List continued on next page.)

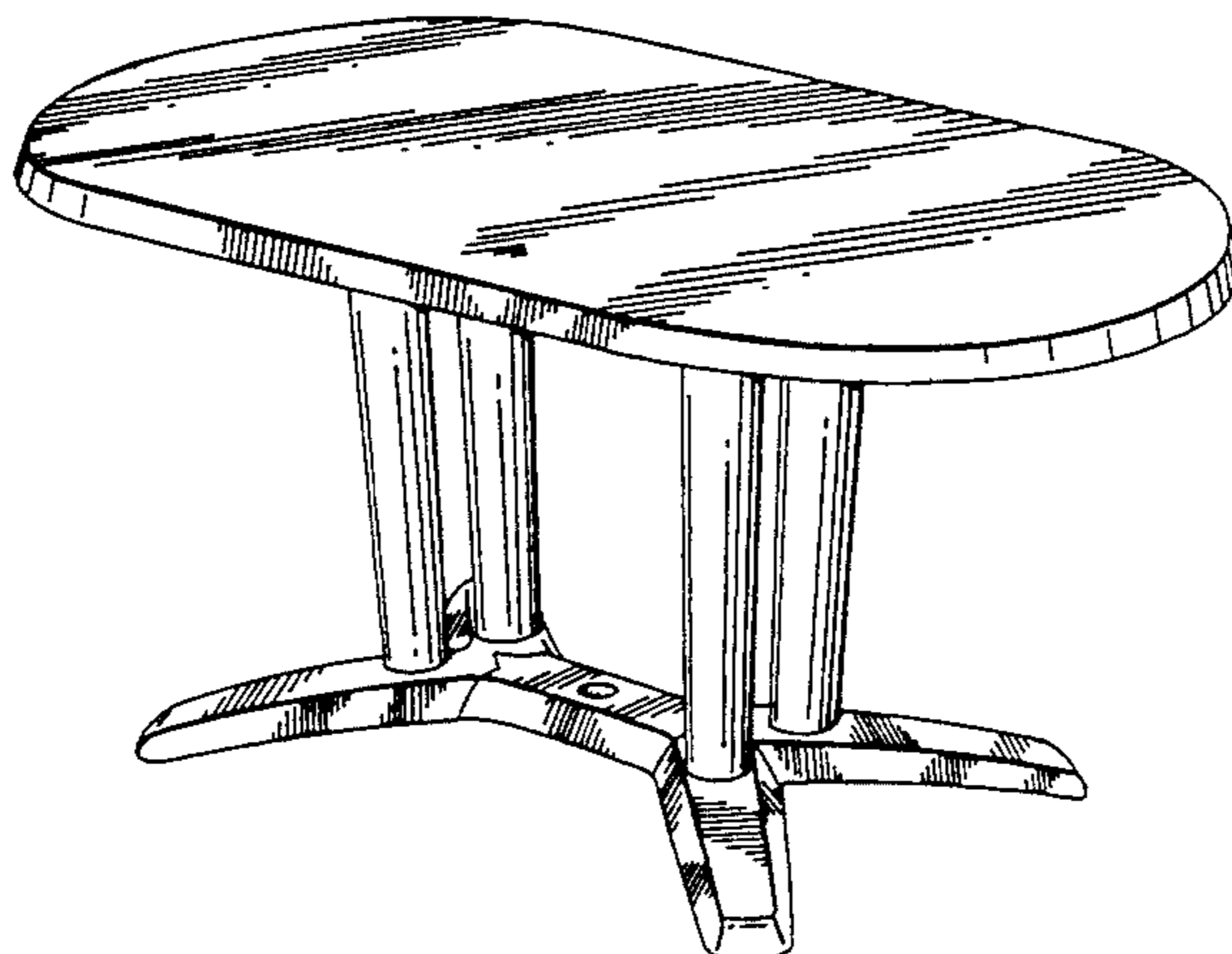
*Primary Examiner*—Janice E. Seeger  
*Attorney, Agent, or Firm*—Richard B. O'Planick; Lisa B. Riedesel

### [57] CLAIM

The ornamental design for a table support stand, as shown and described.

### DESCRIPTION

FIG. 1 is a top front perspective view of a table support stand showing our new design; and, FIG. 2 is a front elevational view thereof.



OTHER PUBLICATIONS

Catalog page, EMU USA Inc. Corp., 2318 Fraver Dr., Reading, Pa. 19605. Publication date unknown.

Catalog page, EMU USA Inc. Corp., 2318 Fraver Dr., Reading, Pa. 19605. Publication date unknown.

Catalog page, Vision Leisure Products Inc., P.O. Box 579, Wilmington, Calif. 90748-0579. Publication date unknown.

Catalog Page, Table, Grosfillex GmbH, Abtlg. Freizeit-mobel, Industriestr. 15, 7600 Offenburg. Publication date 1987.

Pp. 8 and 10, Tables, U.S. Leisure Inc., Little Lake Industries, Inc., 300 E. Commercial St., P.O. Box 619, Wellits, Calif. 95490. It is believed that the product

depicted herein has been on sale for more than one (1) year prior to the application date of this instant application.

Catalog Page, Table, Vision Leisure Products Inc., P.O. Box 579, Wilmington, Calif. 90748-0579. It is believed that the product depicted herein has been on sale for more than one (1) year prior to the application date of this instant application.

P. 10, Tables, Rubbermaid-Allibert Inc., 1200 Highway 27 South, P.O. Box 1200, Stanley, N.C. 28164. Publication date 1990.

Pp. 4, 6, 8, 13 and 16, Tables, Allibert, Sommer Allibert Group, Rubbermaid-Allibert Inc., 1200 Highway 27 South, P.O. Box 1200, Stanley, N.C. 28164. Publication date 1990.

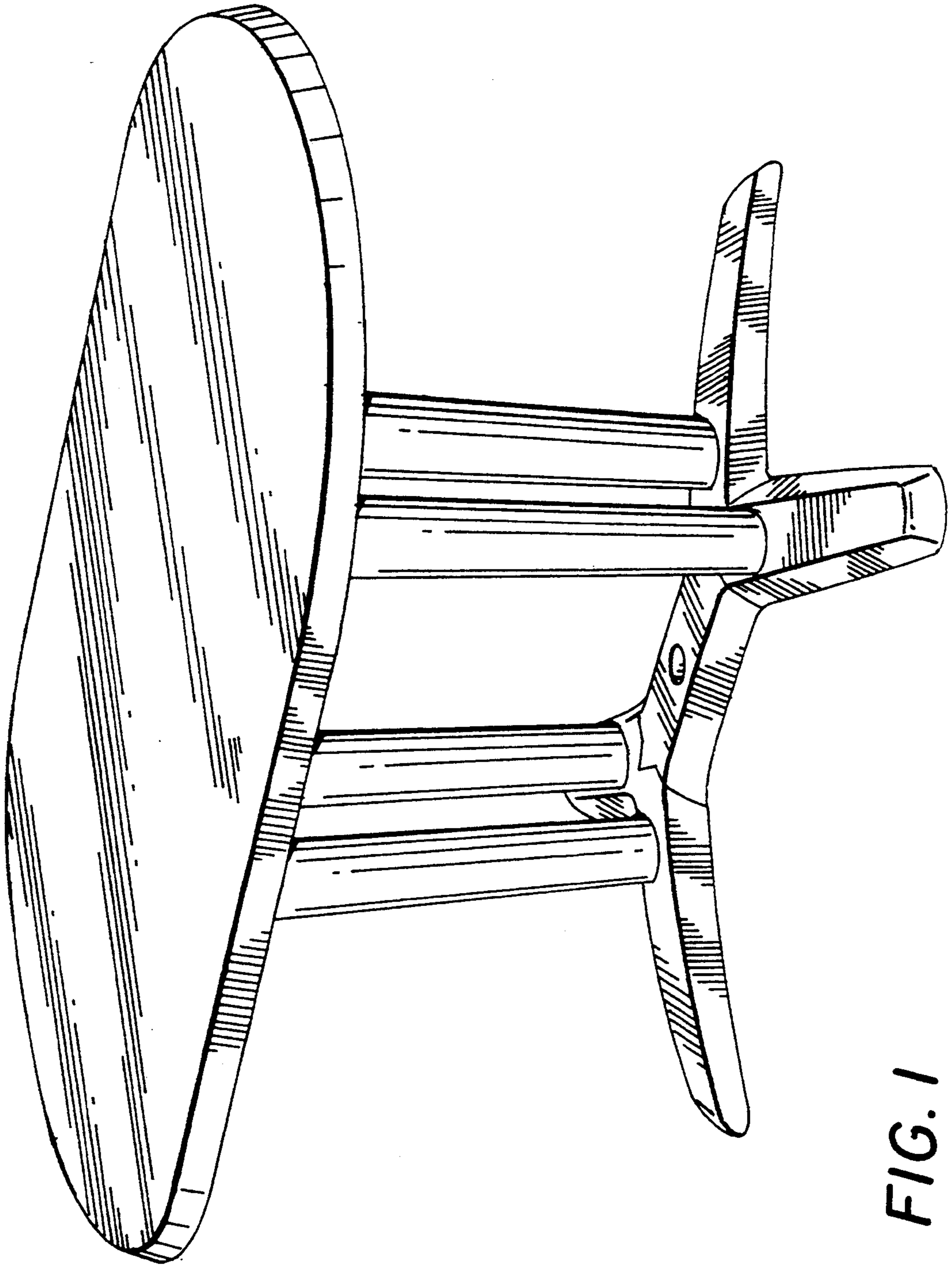


FIG. 1

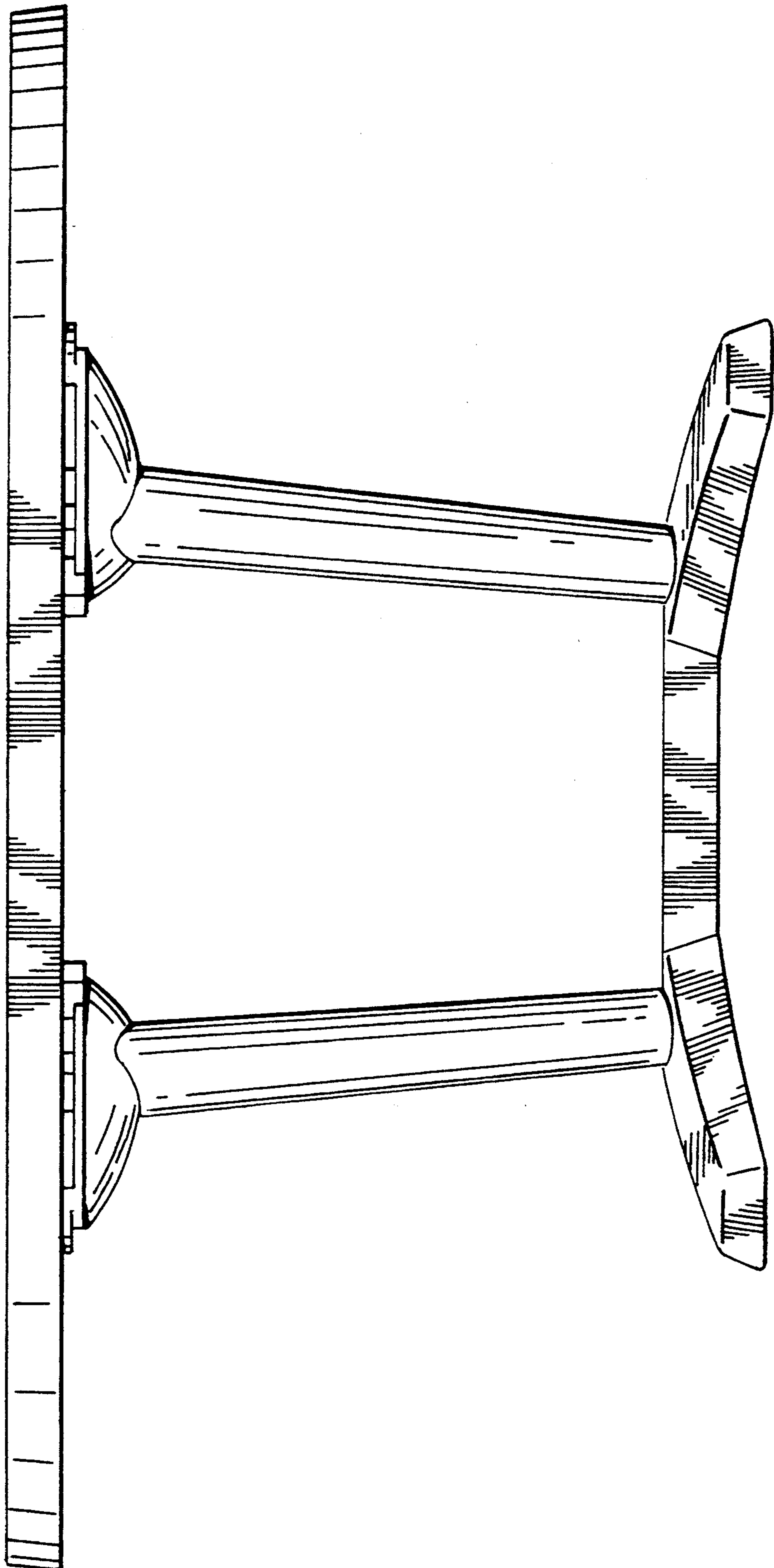


FIG. 2