



US00D350440S

United States Patent [19]

[11] Patent Number: **Des. 350,440**

Lemon et al.

[45] Date of Patent: **** Sep. 13, 1994**

[54] **TOOTHBRUSH WITH GUM STIMULATOR**

3,934,298	1/1976	Kim	15/167.1
4,033,008	7/1977	Warren et al.	15/167.1
4,869,277	9/1989	Olsen	15/167.1

[75] Inventors: **J. Robert Lemon**, Charlotte; **William T. Evans**; **Robert E. Christian**, both of Batesville, all of Ark.

[73] Assignee: **Professional Dental Technologies, Inc.**, Batesville, Ark.

[**] Term: **14 Years**

[21] Appl. No.: **82**

[22] Filed: **Oct. 2, 1992**

[52] U.S. Cl. **D4/105**

[58] Field of Search **D4/104-113, D4/116, 119, 134, 138; 15/106, 110, 143.1, 159.1, 160, 167.1, 167.2, 188**

[56] **References Cited**

U.S. PATENT DOCUMENTS

D. 287,073	12/1986	Thompson	D4/105
2,110,315	3/1938	Wolfson	15/188 X
2,819,482	1/1958	Applegate	15/110

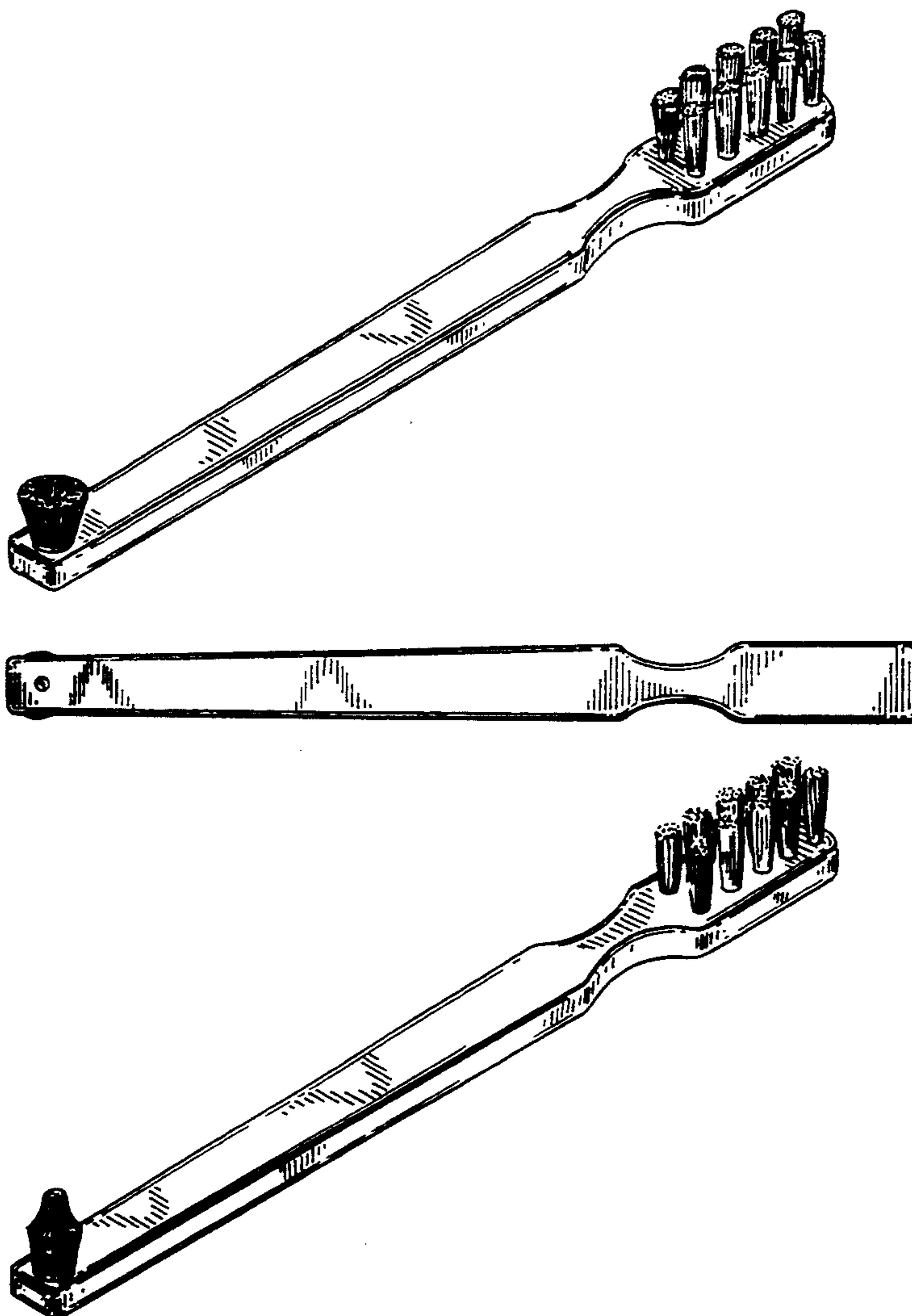
Primary Examiner—Wallace R. Burke
Assistant Examiner—Lavone D. Tabor
Attorney, Agent, or Firm—McAulay, Fisher, Nissen, Goldberg & Kiel

[57] **CLAIM**

The ornamental design for a toothbrush with gum stimulator, as shown and described.

DESCRIPTION

FIG. 1 is a perspective view of a toothbrush with gum stimulator;
FIG. 2 is a side elevational view, the opposite side being a mirror image;
FIG. 3 is a top plan view;
FIG. 4 is a bottom plan view; and,
FIG. 5 is a perspective view of a second embodiment of the design shown in FIGS. 1-4, the only difference residing in the appearance of the gum stimulator.



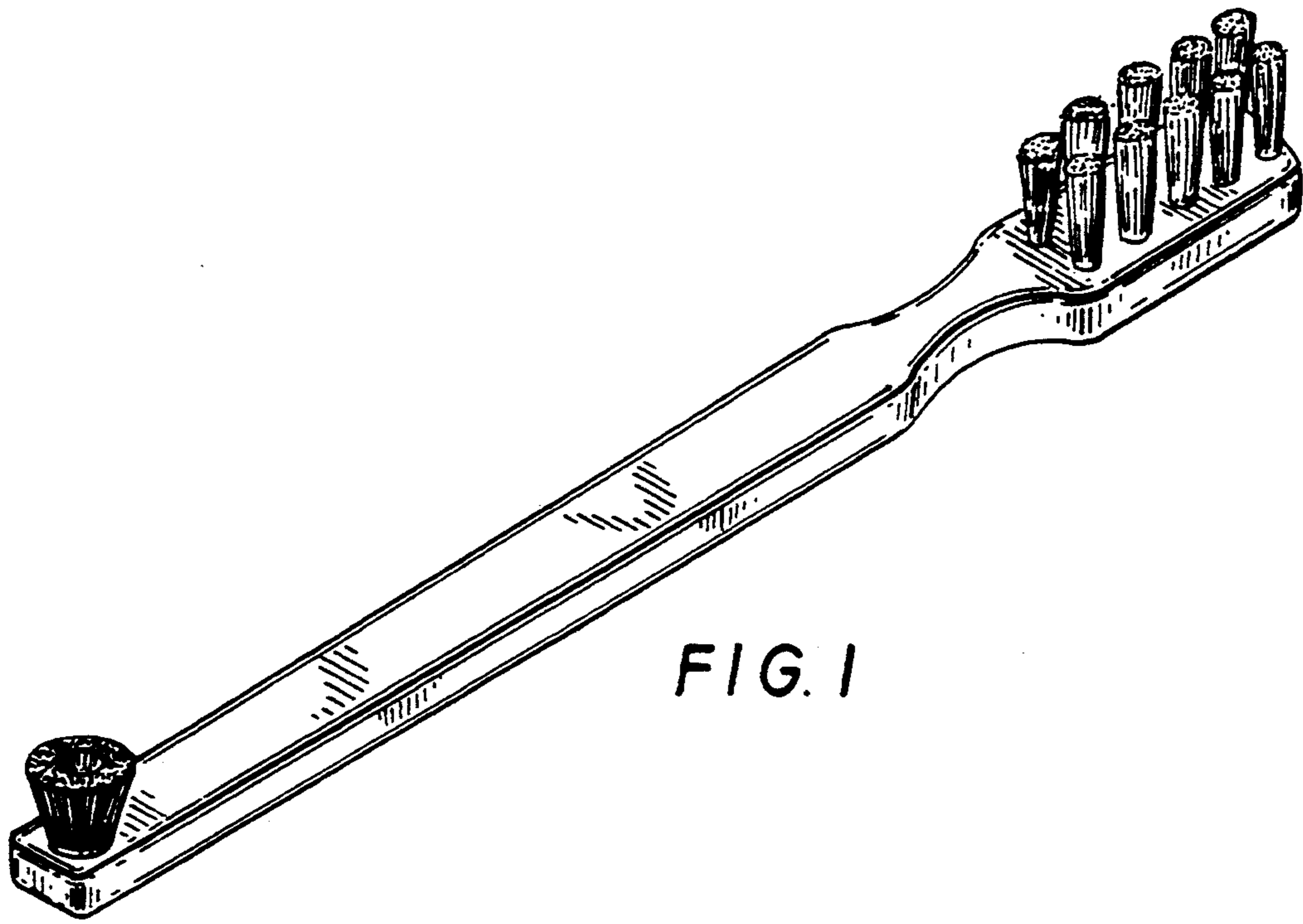


FIG. 1

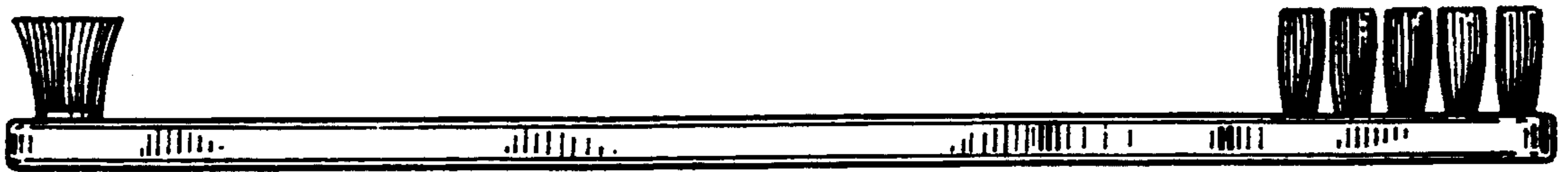


FIG. 2



FIG. 3

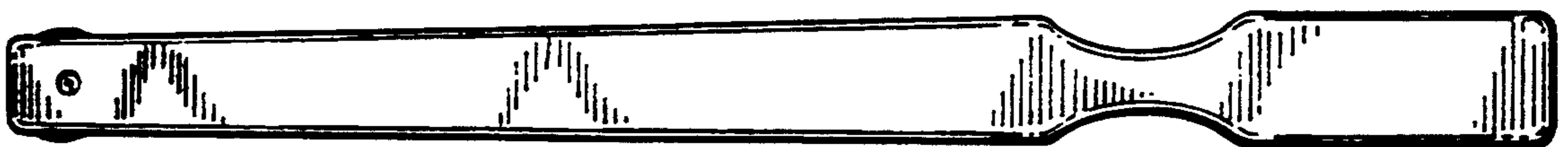


FIG. 4

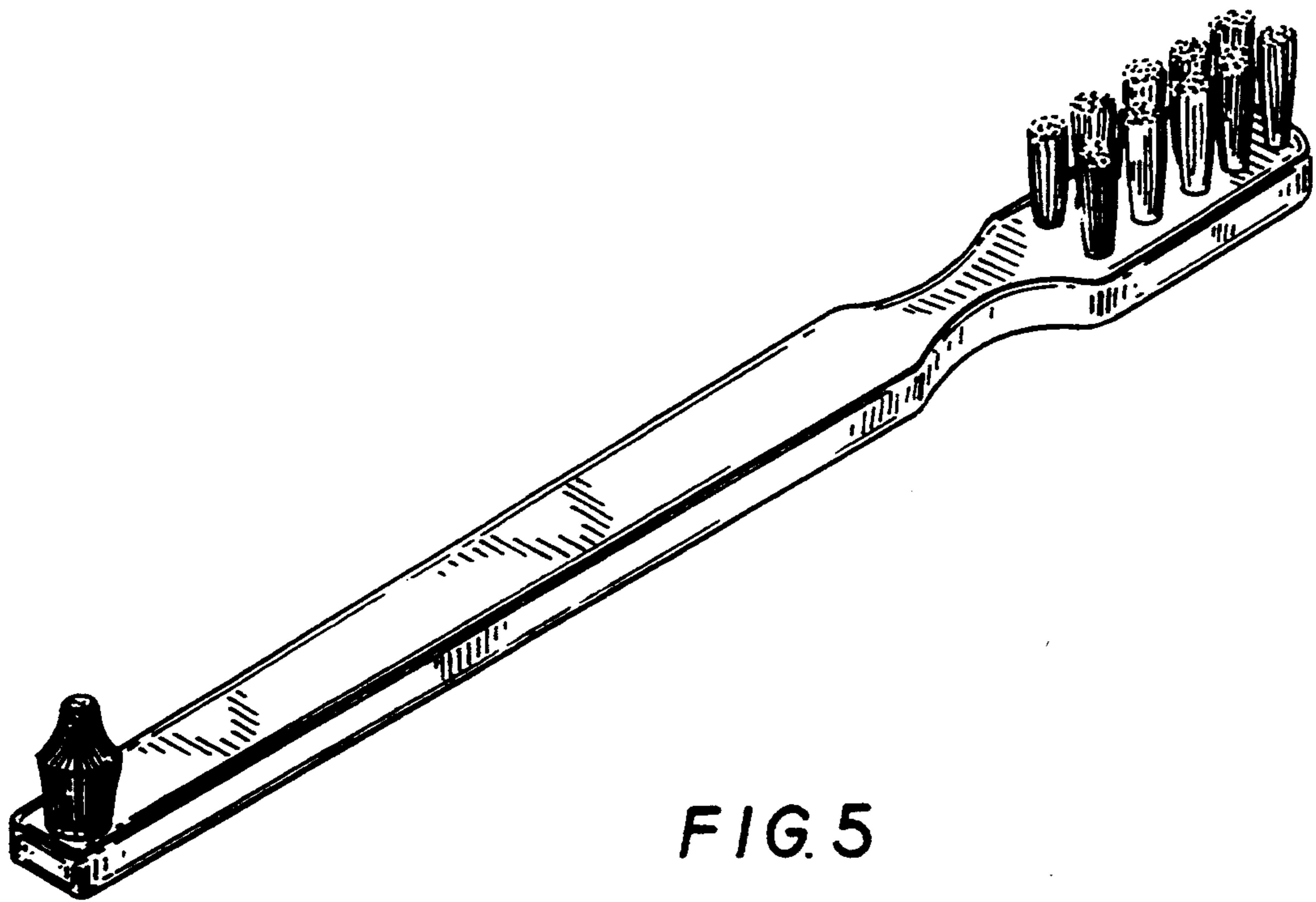


FIG. 5