



US00D350439S

United States Patent [19]

[11] Patent Number: **Des. 350,439**

Rekuc

[45] Date of Patent: **** Sep. 13, 1994**

[54] **CORNER SET FOR FOOTLOCKERS AND CHESTS**

4,509,622 4/1985 Morszeck 190/119
5,115,895 5/1992 Myers 190/127 X

[76] Inventor: **Richard J. Rekuc**, 8 Hilltop Ct., Pattenburg, N.J. 08802

Primary Examiner—Bernard Ansher
Assistant Examiner—Paula Mortimer
Attorney, Agent, or Firm—Herbert Dubno

[**] Term: **14 Years**

[57] **CLAIM**

[21] Appl. No.: **589**

The ornamental design for a corner set for footlockers and chests, as shown.

[22] Filed: **Oct. 19, 1992**

[52] U.S. Cl. **D3/318; D8/403; D3/272**

DESCRIPTION

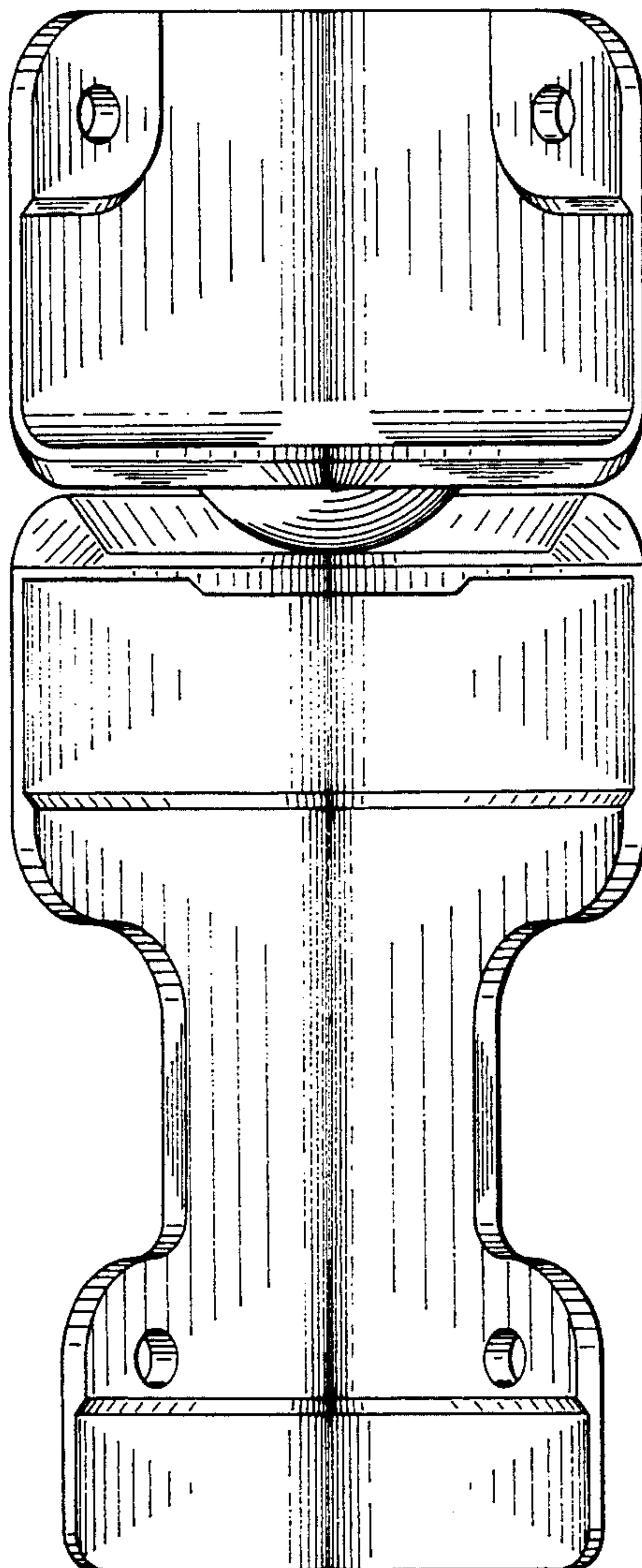
[58] **Field of Search** D3/99, 74, 76, 77, 70; 190/100, 127, 37, 122, 107, 18 A; D8/403

FIG. 1 is a rear elevational view of a corner set for footlockers and chests showing my new design; FIG. 2 is a top plan view of FIG. 1; FIG. 3 is a bottom plan view of FIG. 1; FIG. 4 is a front bottom perspective view of one of the corners thereof shown separately for purposes of illustration; and, FIG. 5 is a front top perspective view of one of the corners thereof shown separately for purposes of illustration.

[56] **References Cited**

U.S. PATENT DOCUMENTS

D. 66,935	3/1925	Goldsmith	D3/403
D. 76,728	10/1928	Zavitovsky et al.	D8/403
D. 114,962	5/1939	Ortner	D8/403 X
2,626,025	1/1953	Sherman	D3/70 X
2,781,143	7/1956	Lifton	D3/76 X



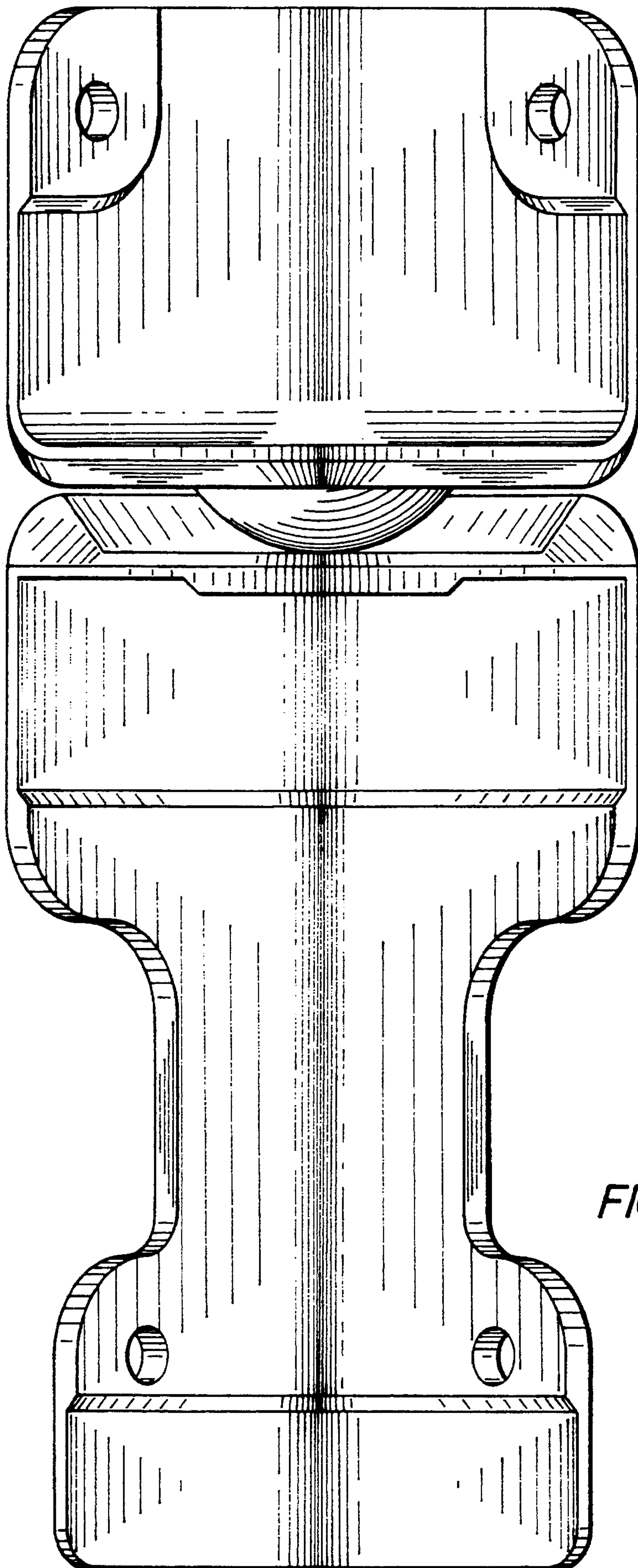


FIG. 1

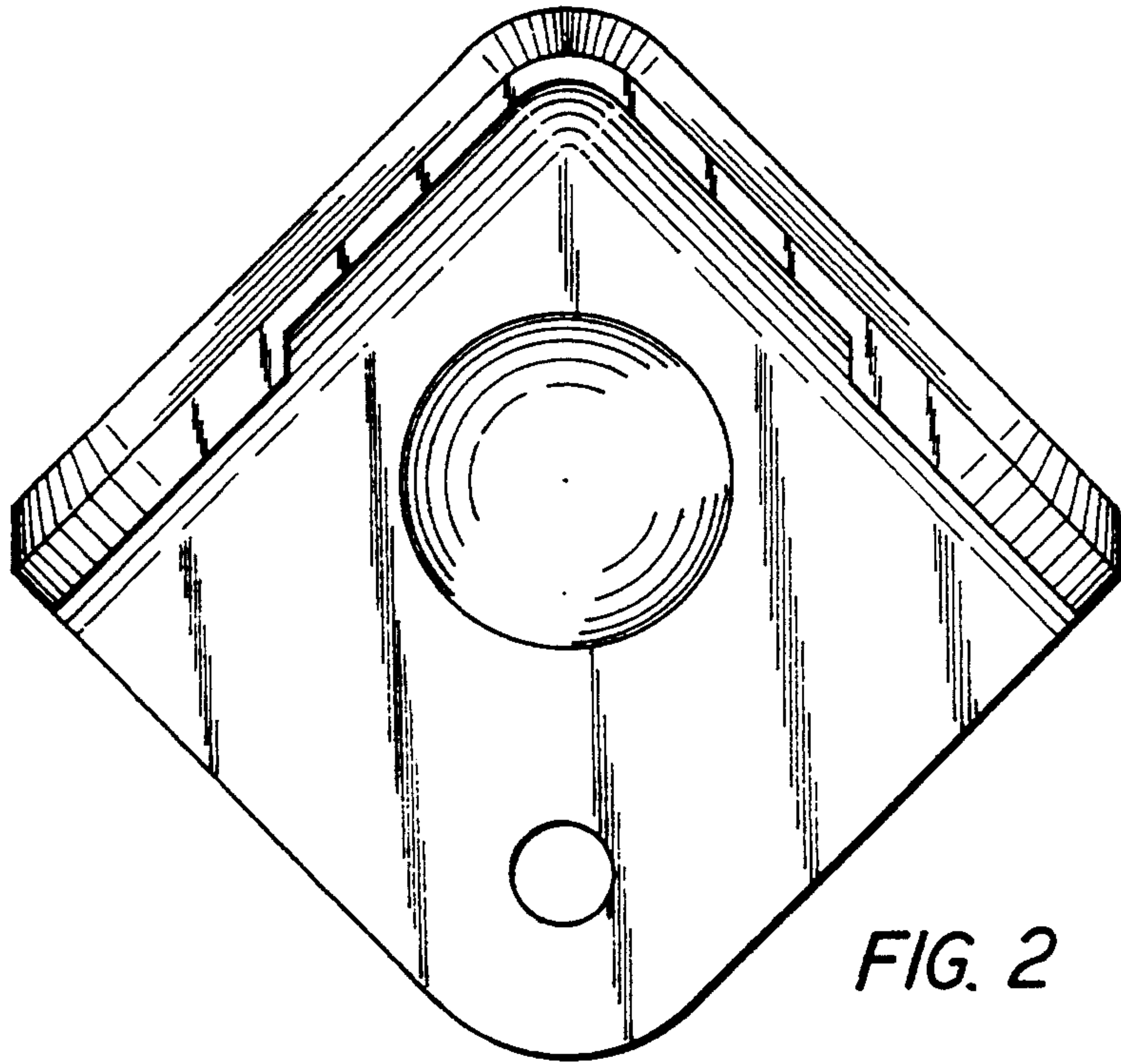


FIG. 2

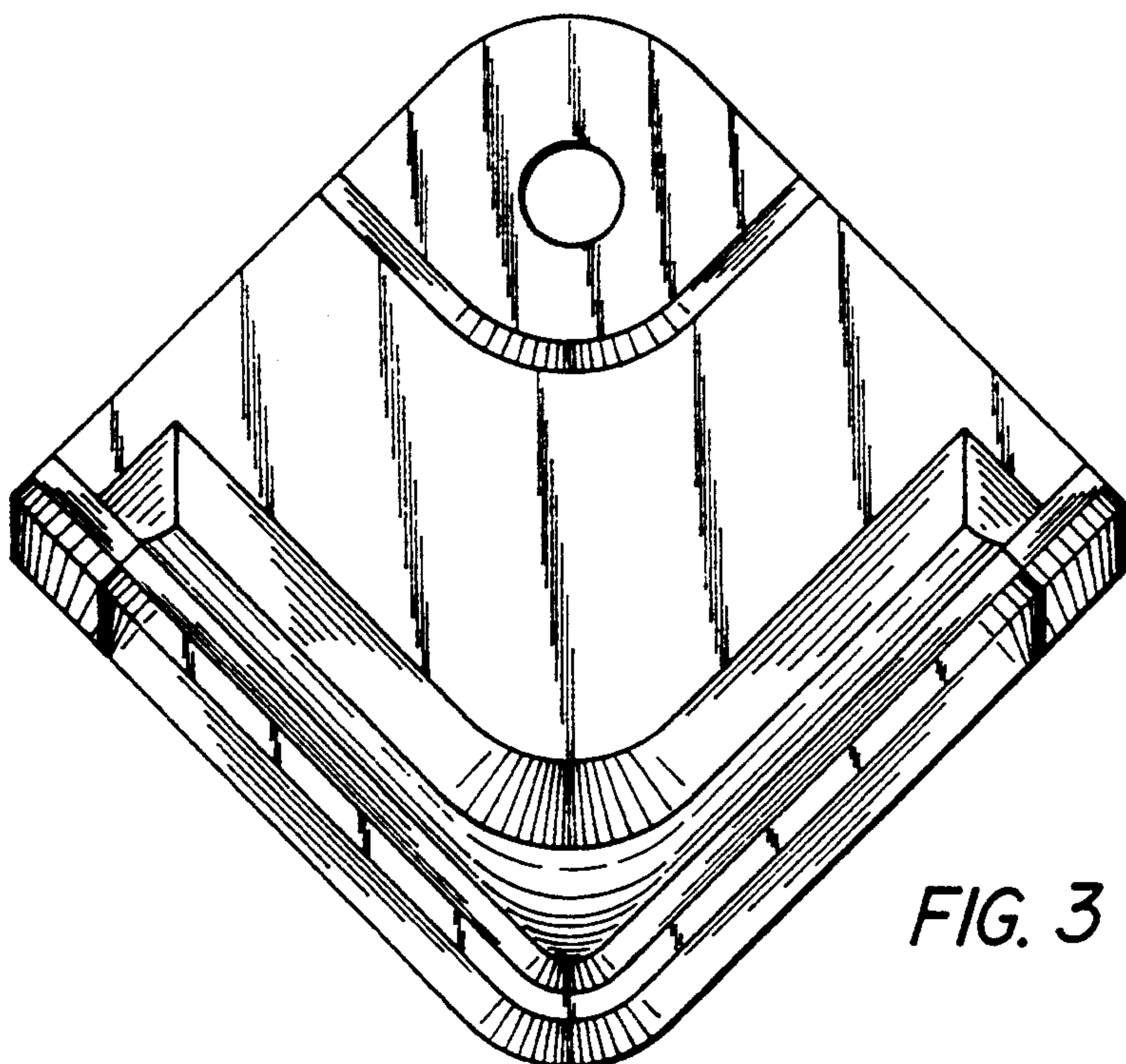


FIG. 3

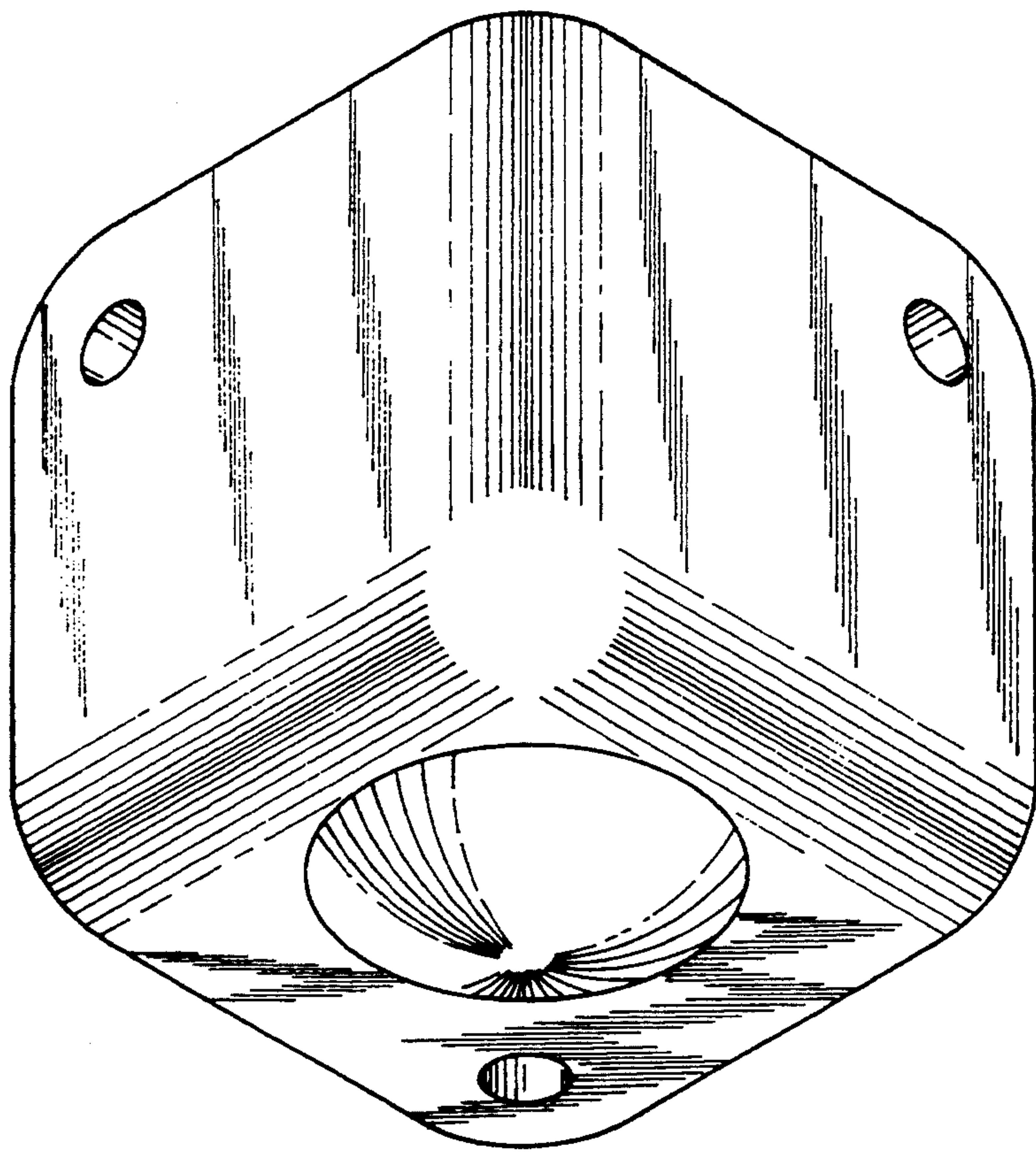


FIG. 4

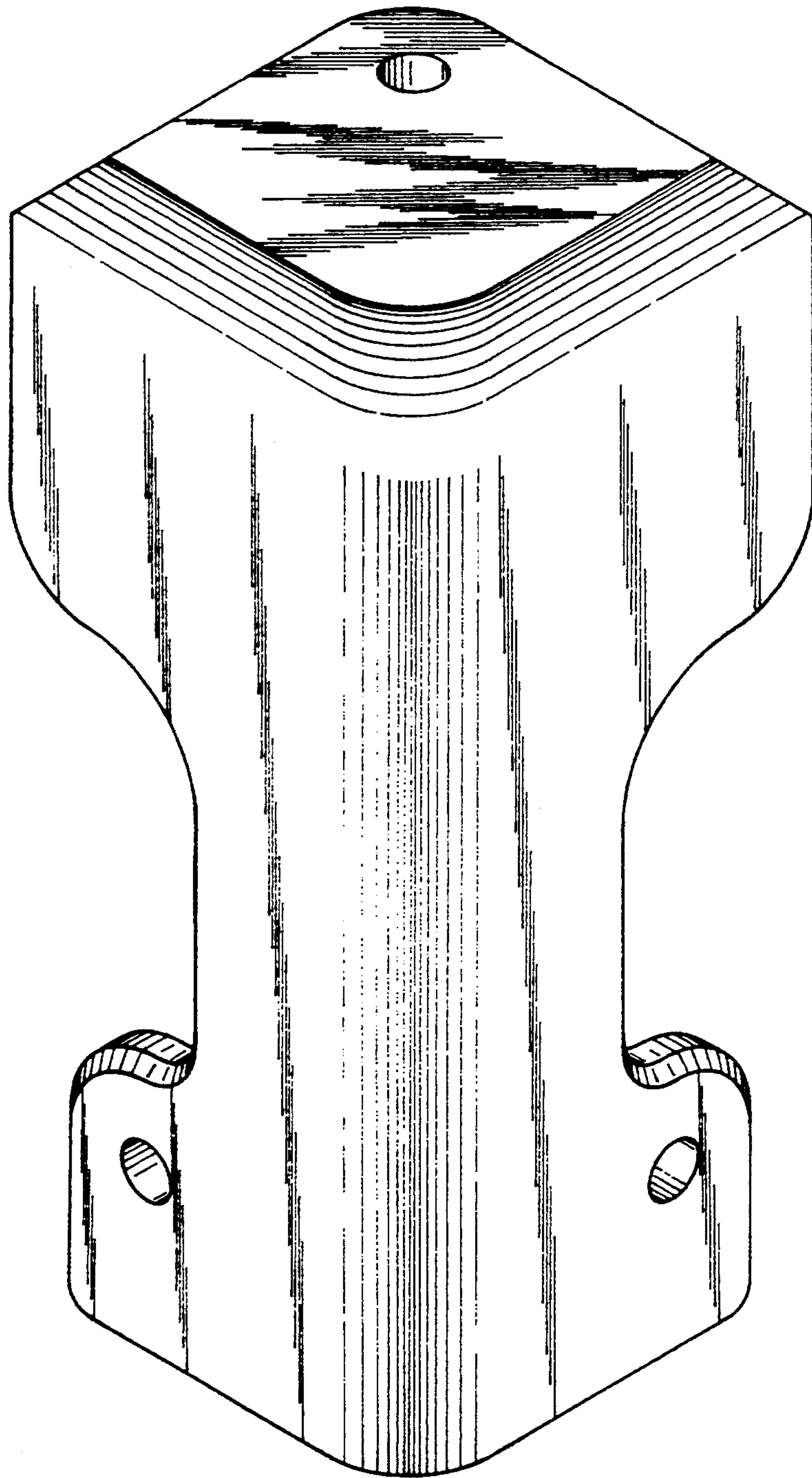


FIG. 5