



US00D350431S

**United States Patent** [19]  
**Morgan**

[11] **Patent Number: Des. 350,431**  
[45] **Date of Patent: \*\* Sep. 13, 1994**

[54] **SHOE SOLE**  
[76] **Inventor: Robert W. Morgan, P.O. Box 138,  
Homeworth, Ohio 44634**  
[\*\*] **Term: 14 Years**  
[21] **Appl. No.: 6,420**  
[22] **Filed: Mar. 29, 1993**  
[52] **U.S. Cl. .... D2/956; D2/952;  
D2/954; D2/957**  
[58] **Field of Search ..... D2/896-899,  
D2/947, 948, 951, 952, 954, 956, 975, 960;  
36/25 R, 39 R, 32 R, 59 R, 59 C, 83, 84, 89,  
102-107, 112-114, 132, 136**

D. 249,199 9/1978 Anderson ..... D2/898  
D. 297,384 8/1988 Miller ..... D2/952  
D. 326,956 6/1992 Damianoe et al. .... D2/960  
4,266,349 5/1981 Schmohl ..... 36/32 R

*Primary Examiner*—Louis S. Zarfaz  
*Attorney, Agent, or Firm*—Don J. Flickinger; Jordan M.  
Meschkow; Robert A. Parsons

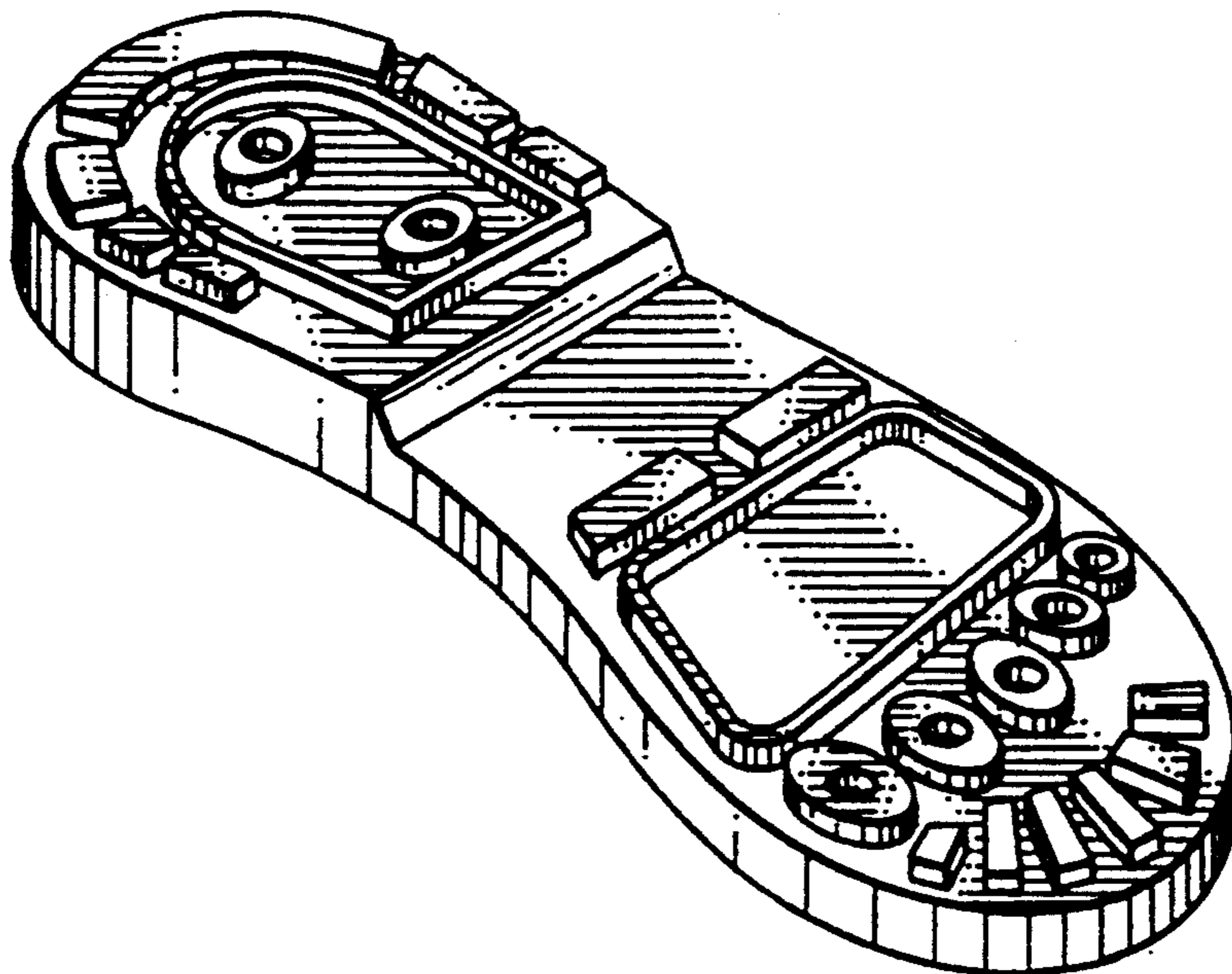
[57] **CLAIM**

The ornamental design for a shoe sole, as shown and described.

**DESCRIPTION**

FIG. 1 is a perspective view of a shoe sole, showing my new design therefor;  
FIG. 2 is a bottom plan view;  
FIG. 3 is a top plan view;  
FIG. 4 is a left side elevational view;  
FIG. 5 is a right side elevational view;  
FIG. 6 is a rear elevational view; and,  
FIG. 7 is a front elevational view.

[56] **References Cited**  
**U.S. PATENT DOCUMENTS**  
D. 80,361 1/1930 Crowley ..... D2/954  
D. 247,832 5/1978 Glasgow et al. .... D2/952



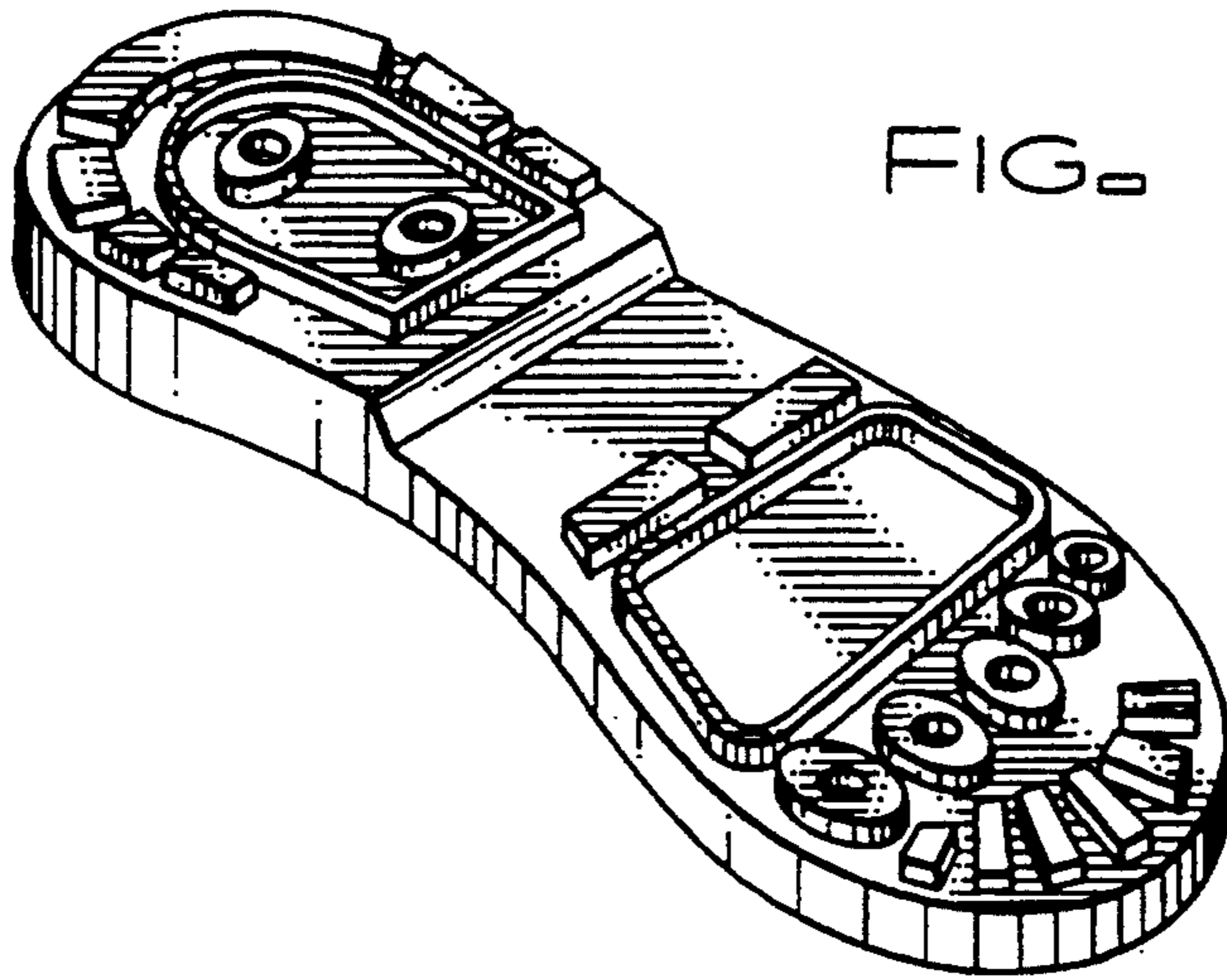


FIG. 1

FIG. 2

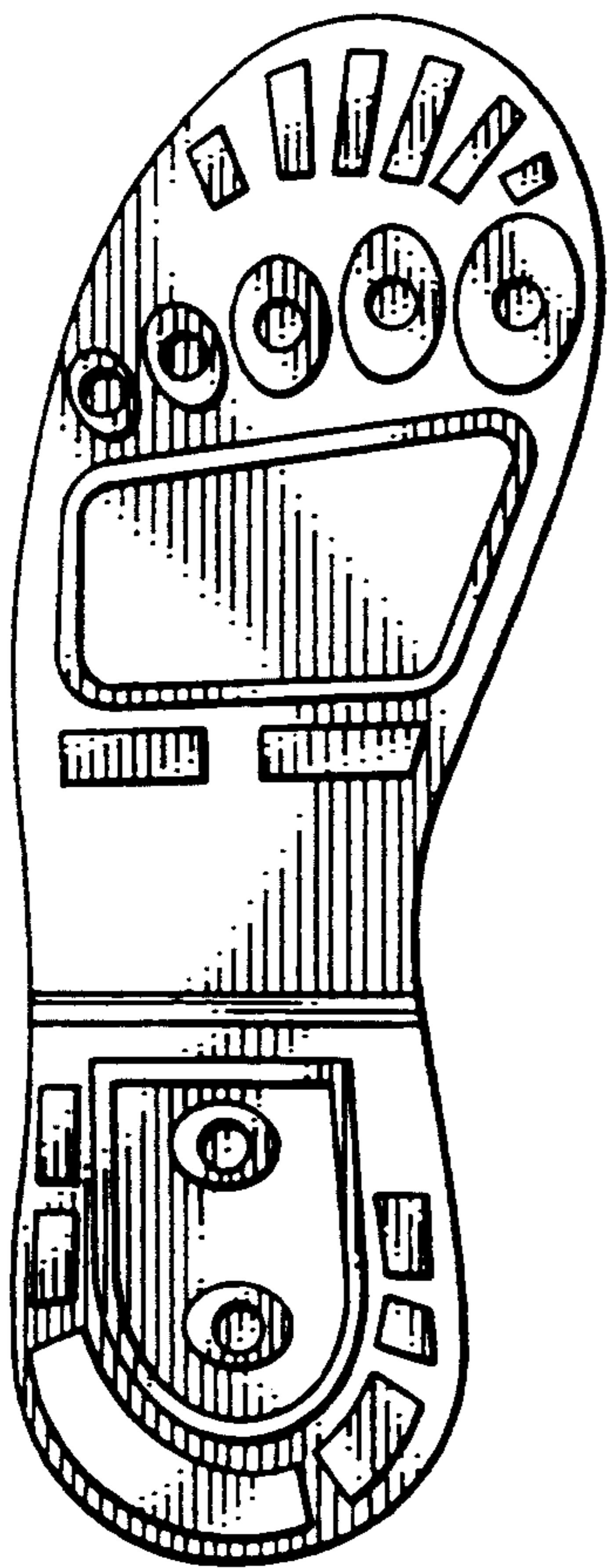


FIG. 3

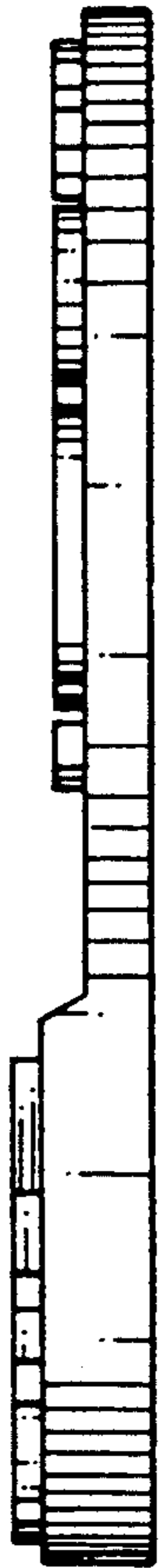
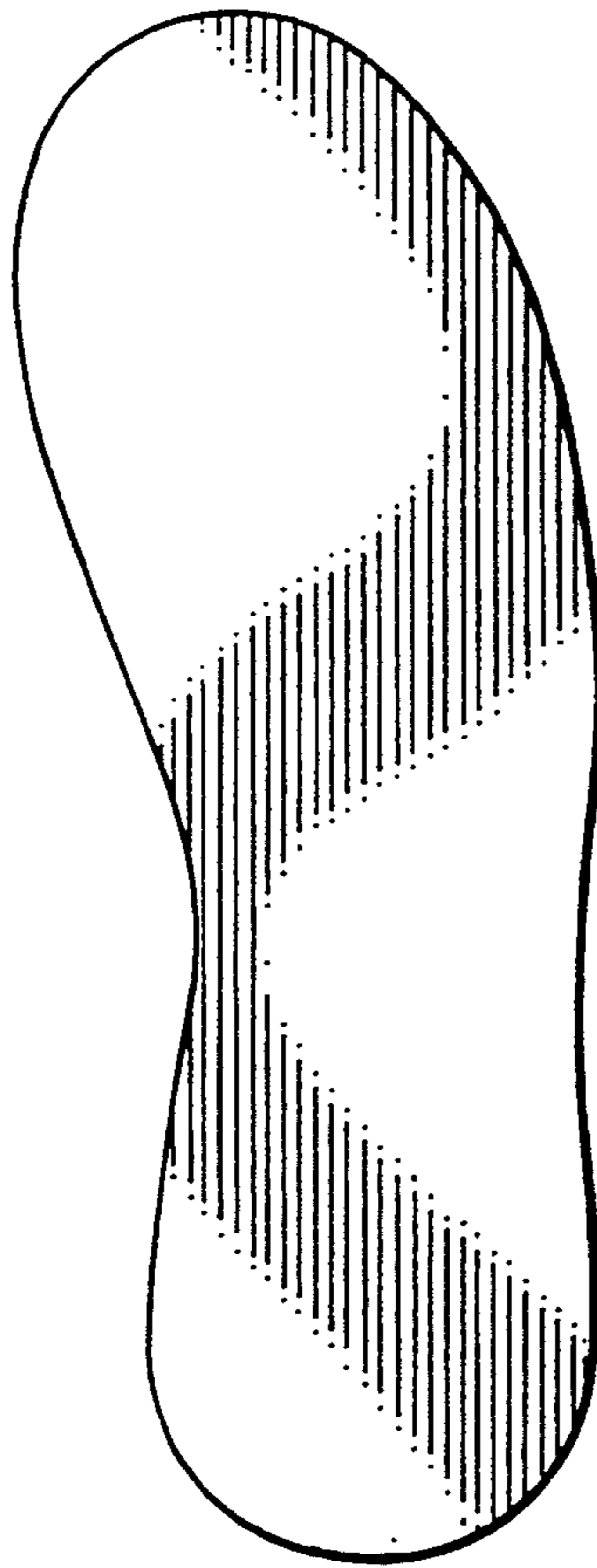


FIG. 4

FIG. 5



FIG. 6

FIG. 7