



US00D350426S

United States Patent [19]

[11] Patent Number: Des. 350,426

Liao et al.

[45] Date of Patent: ** Sep. 6, 1994

[54] GOLF CART

D. 321,964 11/1991 Alterbaum D34/15
D. 334,451 3/1993 Lindeman D34/15

[75] Inventors: Gordon Liao; Alex Cheng, both of Taipei, Taiwan

Primary Examiner—Kay H. Chin
Attorney, Agent, or Firm—Philip Furgang

[73] Assignee: Unique Products & Design Co., Ltd., Tainan Hsien, Taiwan

[57] CLAIM

[**] Term: 14 Years

The ornamental design for a golf cart, as shown and described.

[21] Appl. No.: 9,063

DESCRIPTION

[22] Filed: Jun. 1, 1993

[52] U.S. Cl. D34/15

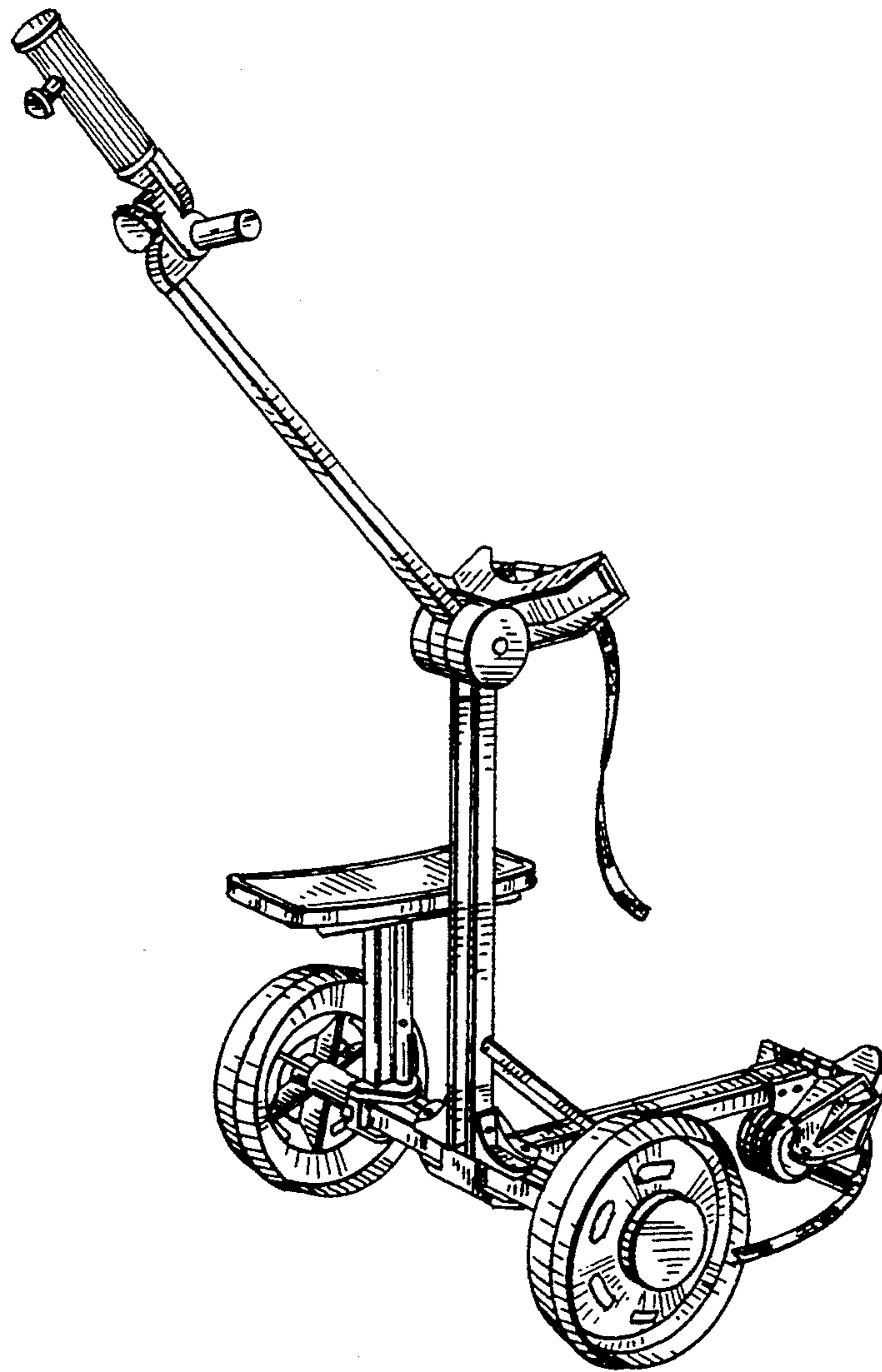
[58] Field of Search 280/DIG. 5, DIG. 6, 280/47.26, 47.19, 652, 645; 180/65.6, 65.1, 19.1, 19.2, 19.3; D34/12, 15

FIG. 1 is a rear and right side perspective view of a golf cart showing my new design;
FIG. 2 is a rear and left side perspective view thereof;
FIG. 3 is a bottom plan view thereof;
FIG. 4 is a top plan view thereof;
FIG. 5 is a front and right side perspective view thereof;
FIG. 6 is a front and left side perspective view thereof;
FIG. 7 is a right side elevational view thereof;
FIG. 8 is a left side elevational view thereof;
FIG. 9 is a front elevational view thereof; and,
FIG. 10 is a rear elevational view thereof.

[56] References Cited

U.S. PATENT DOCUMENTS

D. 280,943 10/1985 Catford D34/15
D. 300,577 4/1989 Pope et al. D34/15



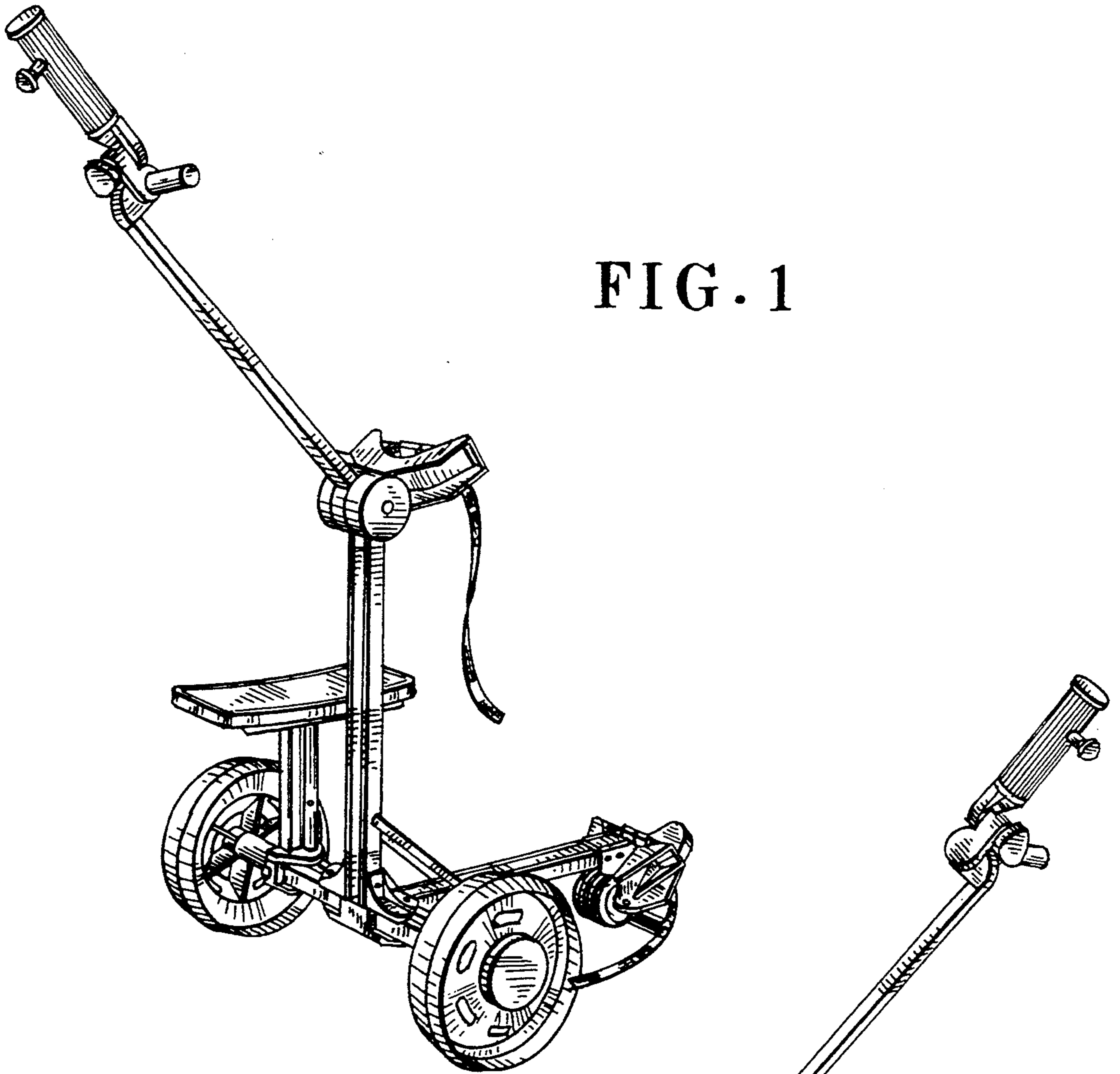


FIG. 1

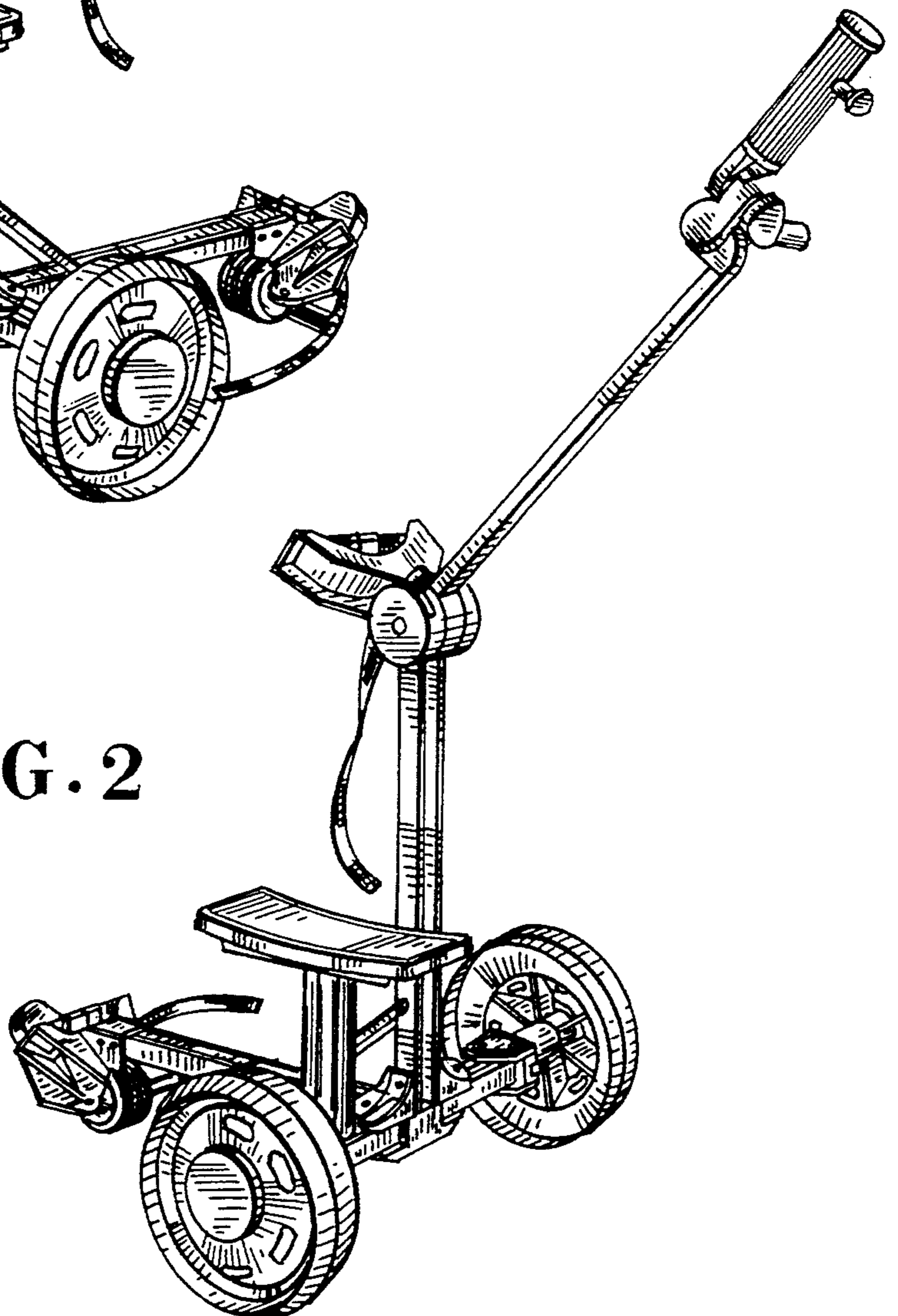


FIG. 2

FIG. 4

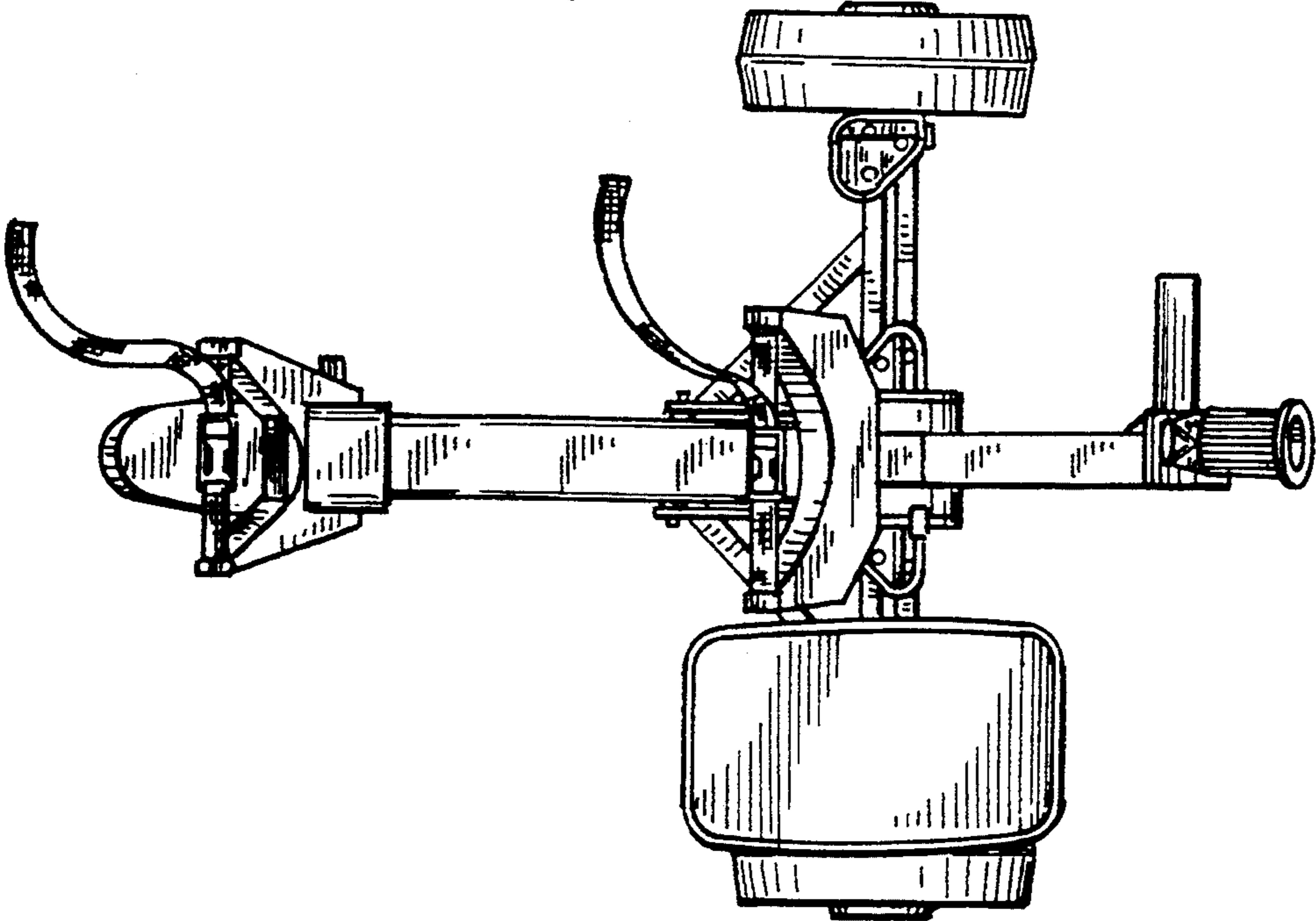
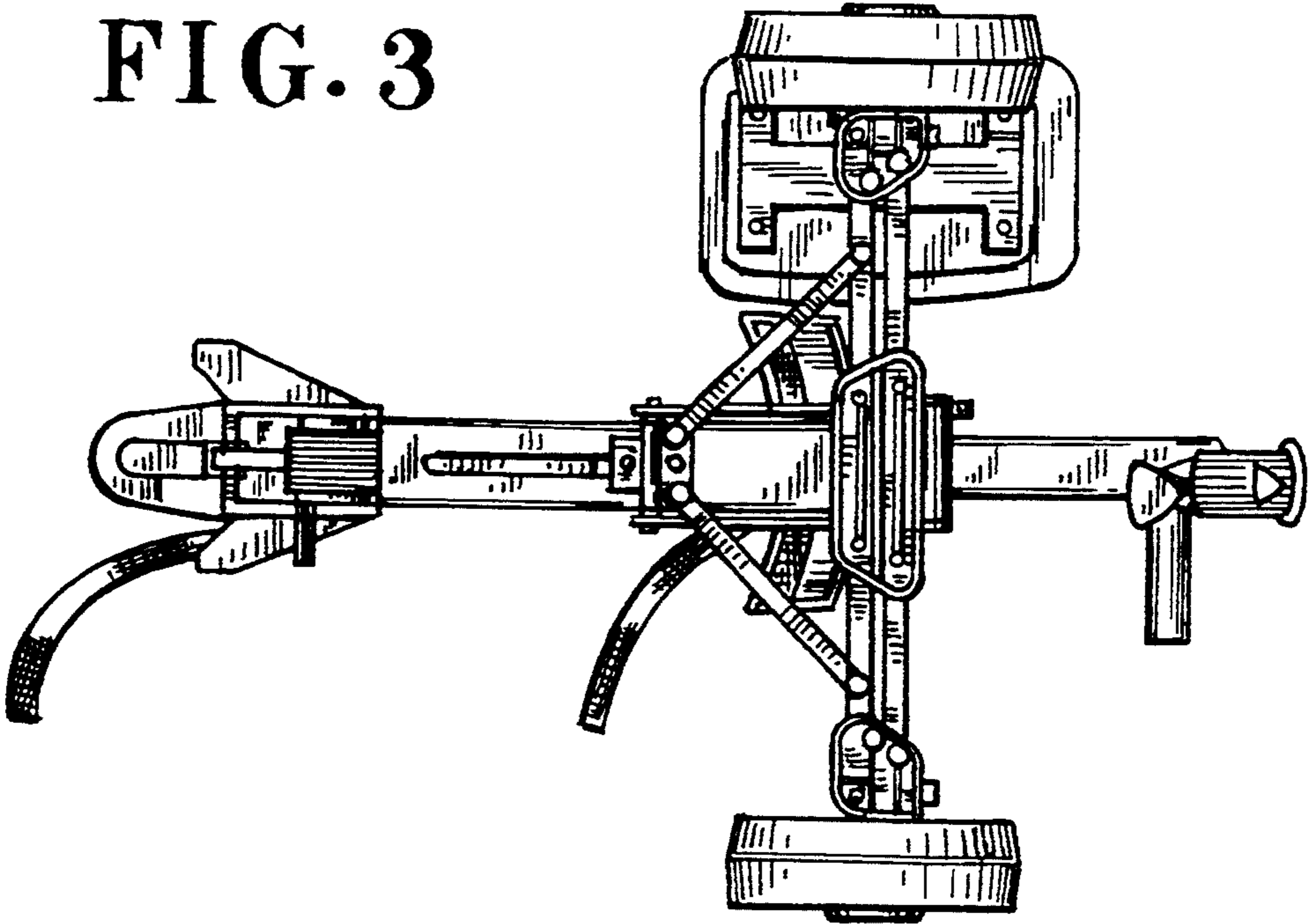


FIG. 3



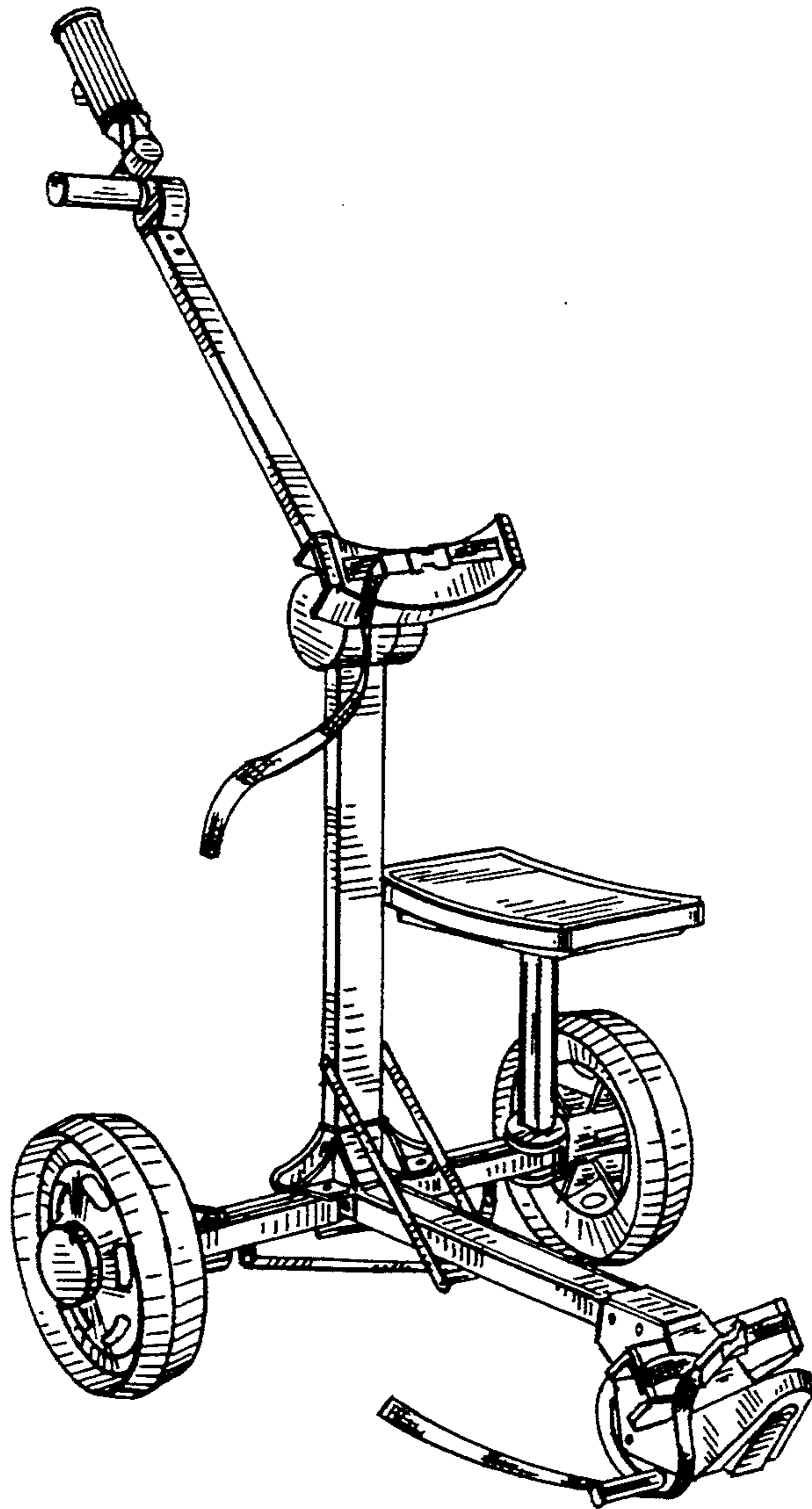


FIG. 5

FIG. 6

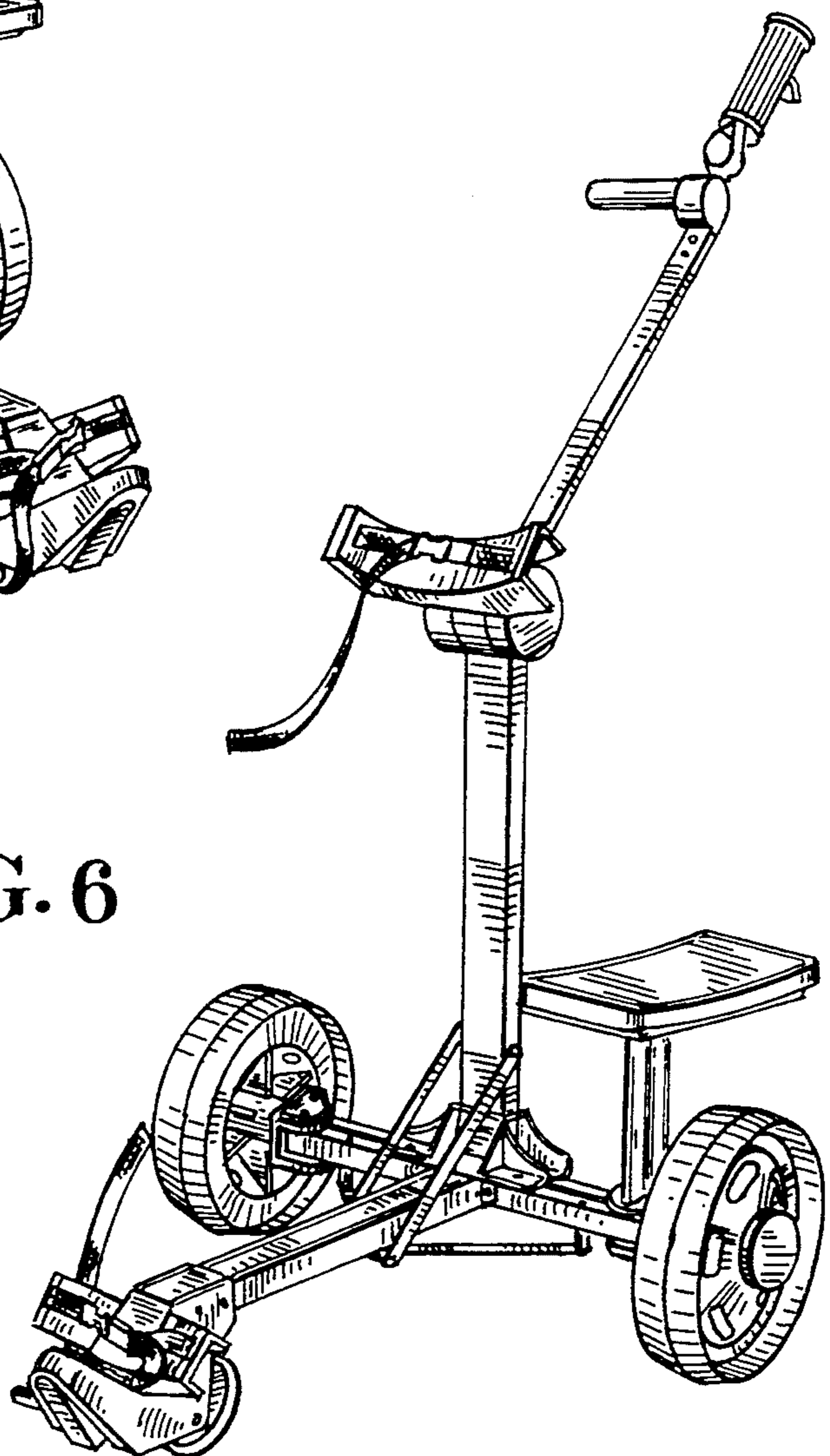


FIG. 7

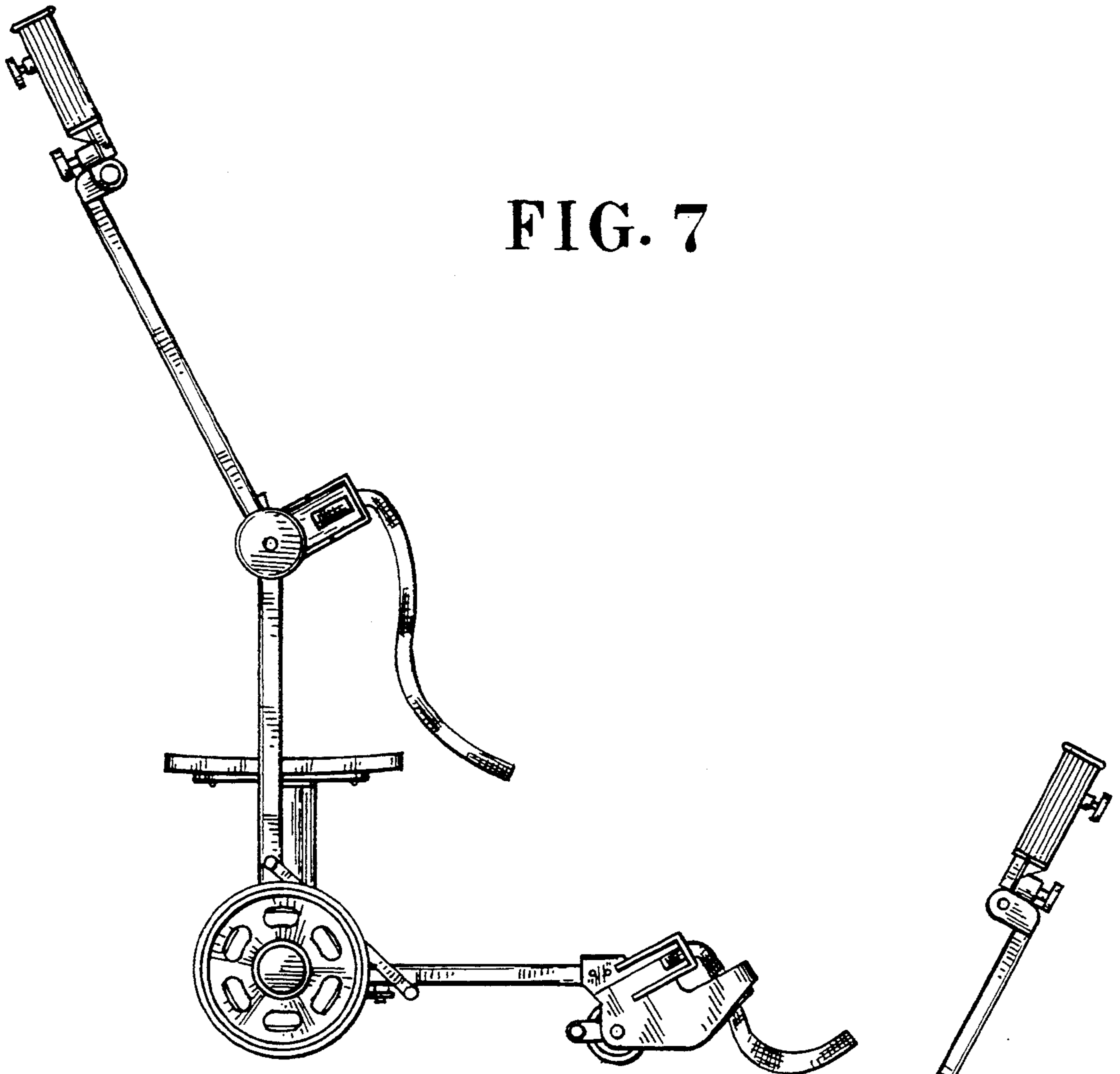
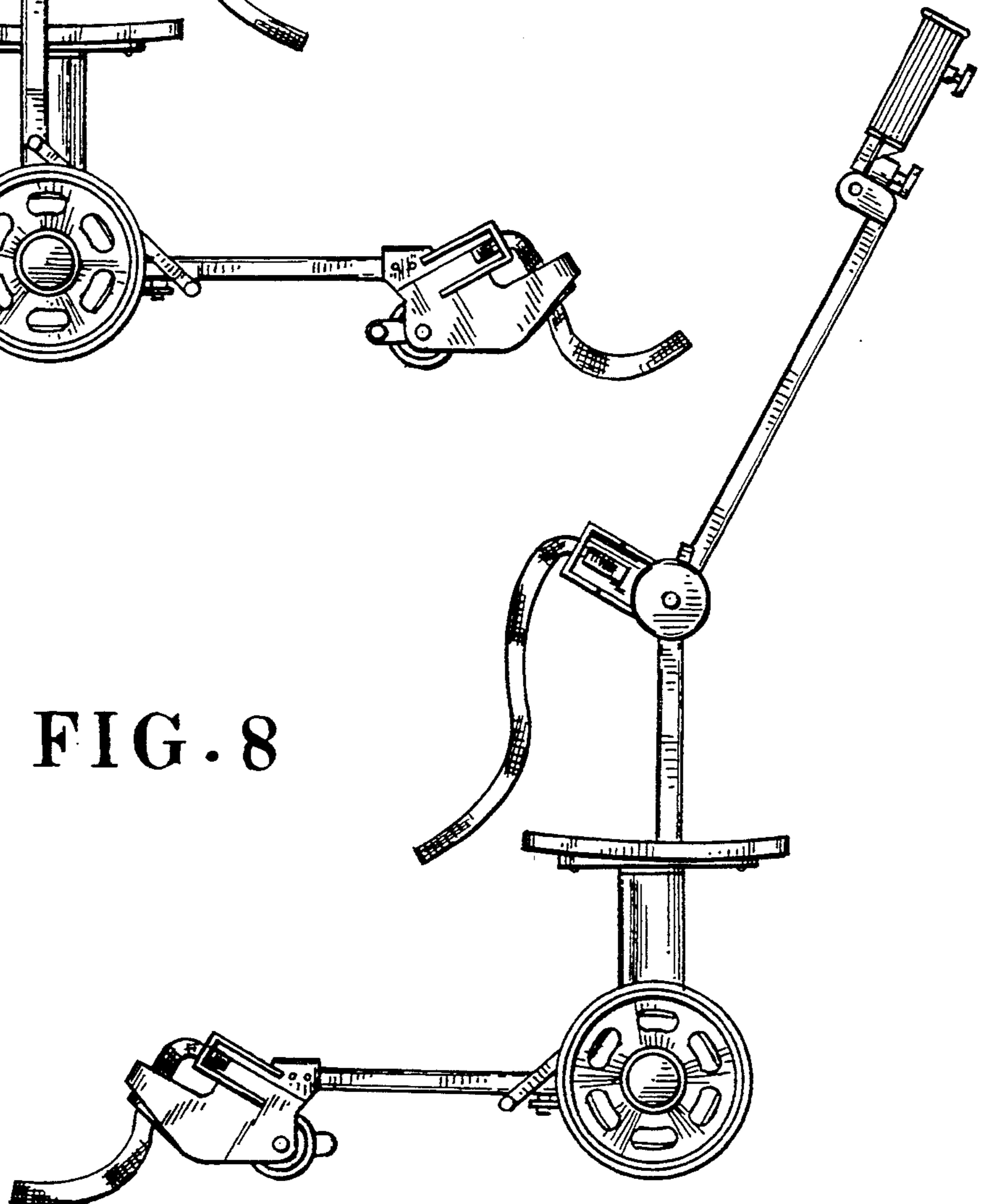


FIG. 8



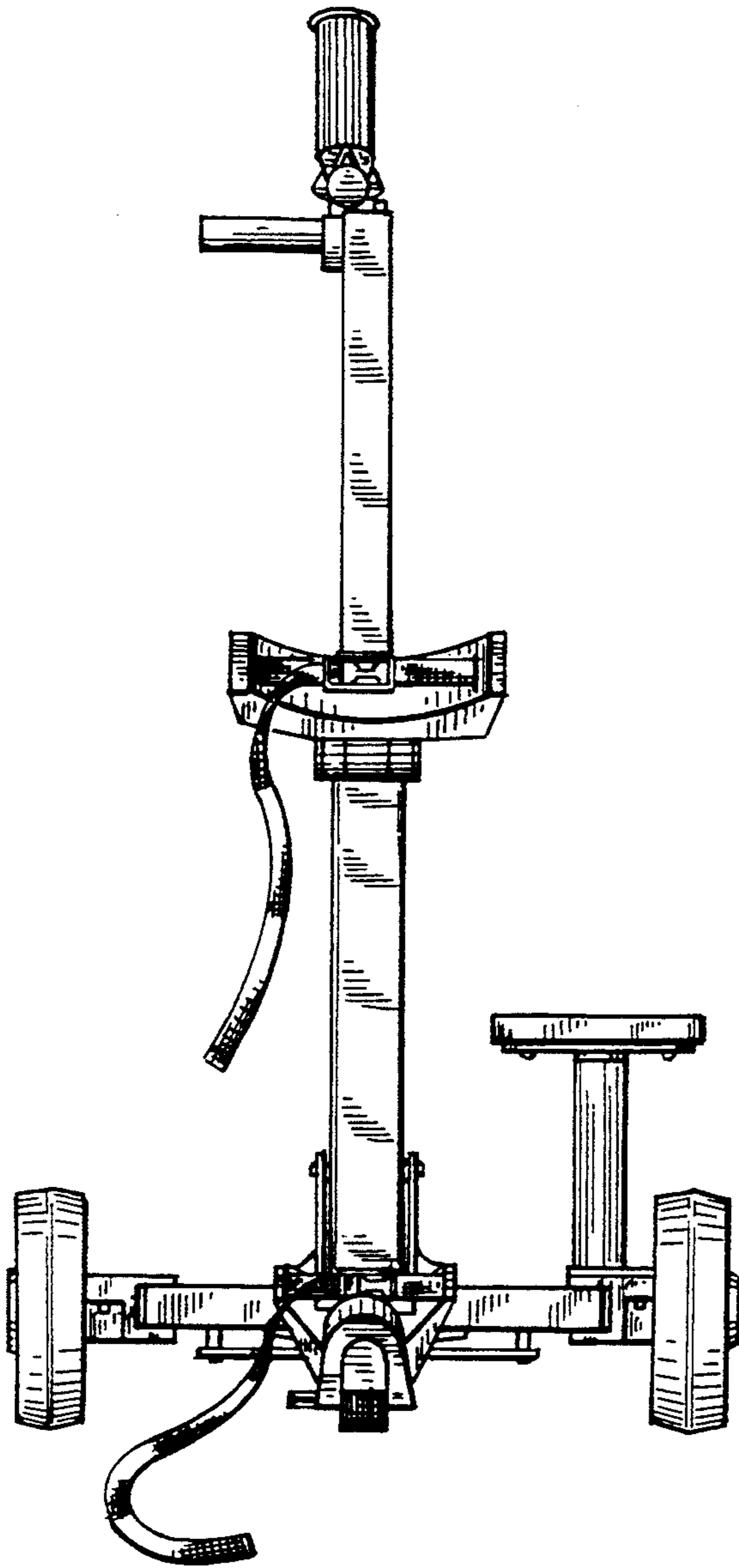


FIG. 10

FIG. 9

