



US00D350423S

# United States Patent [19]

[11] Patent Number: Des. 350,423

Craft, Jr. et al.

[45] Date of Patent: \*\* Sep. 6, 1994

[54] LAUNDRY BASKET

[75] Inventors: Charles W. Craft, Jr., Apple Creek; John L. Hradisky, Medina, both of Ohio

[73] Assignee: Rubbermaid Incorporated, Wooster, Ohio

[\*\*] Term: 14 Years

[21] Appl. No.: 757,117

[22] Filed: Sep. 10, 1991

[52] U.S. Cl. .... D32/37

[58] Field of Search ..... 206/505-507, 206/518-520; 220/675-676, DIG. 12-DIG. 14; D32/37; D34/40-44

Catalog Page, Laundry Baskets, Hefty Designs 1½ Bushel Rectangular Laundry Basket, Mobil Chemical Company, Consumer Products Division, Pittsford, New York 14534. Publication date 1989.

Catalog Page, Baskets, Sterilite Corporation 1½ Bushel Rectangular Laundry Basket-Item No. 1240, P.O. Box 524, Main Street, Townsend, Massachusetts It is believed that the product depicted herein has been on sale for more than one (1) year prior to the application date of this instant application.

Label, Basket, Frem Corporation, 60 Webster Place, Box 4, Worcester, Massachusetts 01603. It is believed that the product depicted herein has been on sale for more than one (1) year prior to the application date of this instant application.

[56] References Cited

(List continued on next page.)

U.S. PATENT DOCUMENTS

D. 233,207	10/1974	Molzen	.....	D32/37
D. 264,040	4/1982	Kunze	.....	D32/37
D. 277,993	3/1985	Sinchok	.....	D34/44
2,478,678	8/1949	Agnew et al.	.....	217/122
3,608,600	9/1971	Lehrman	.....	150/49
4,365,725	12/1982	Pfeifer	.....	220/96

OTHER PUBLICATIONS

P. 15, Laundry Basket, Rubbermaid Incorporated, 1147 Akron Road, Wooster, Ohio 44691. Publication date 1977.

Pp. 32 and 33, Laundry Baskets, Rubbermaid Incorporated, 1147 Akron Road, Wooster, Ohio 44691. Publication date 1980.

P. 23, Laundry Baskets, Rubbermaid Canada Inc., 2562 Stanfield Road, Mississauga, Ontario, Canada L4Y 1S5. Publication date 1986.

P. 2, Laundry Baskets, Dupol-Rubbermaid GmbH, An der Trift 63, D-6072, Dreiech, Germany. Publication date 1986.

P. 15, Laundry Baskets, Tucker Housewares, 25 Tucker Drive, Leominster, Massachusetts 01453. Publication date 1989.

Pp. 3 and 4, Laundry Baskets and Storage Baskets, Ingrid Housewares, 360 N. Skokie Highway, North Chicago, Illinois 60064. Publication date Jan., 1990.

Primary Examiner—Wallace R. Burke  
Assistant Examiner—Lavone D. Tabor  
Attorney, Agent, or Firm—Richard B. O'Planick; Lisa B. Riedesel

[57] CLAIM

The ornamental design for a laundry basket, as shown and described.

DESCRIPTION

FIG. 1 is a top left front perspective view of a laundry basket showing our new design;

FIG. 2 is an enlarged front elevational view thereof; the rear elevational view being a mirror image;

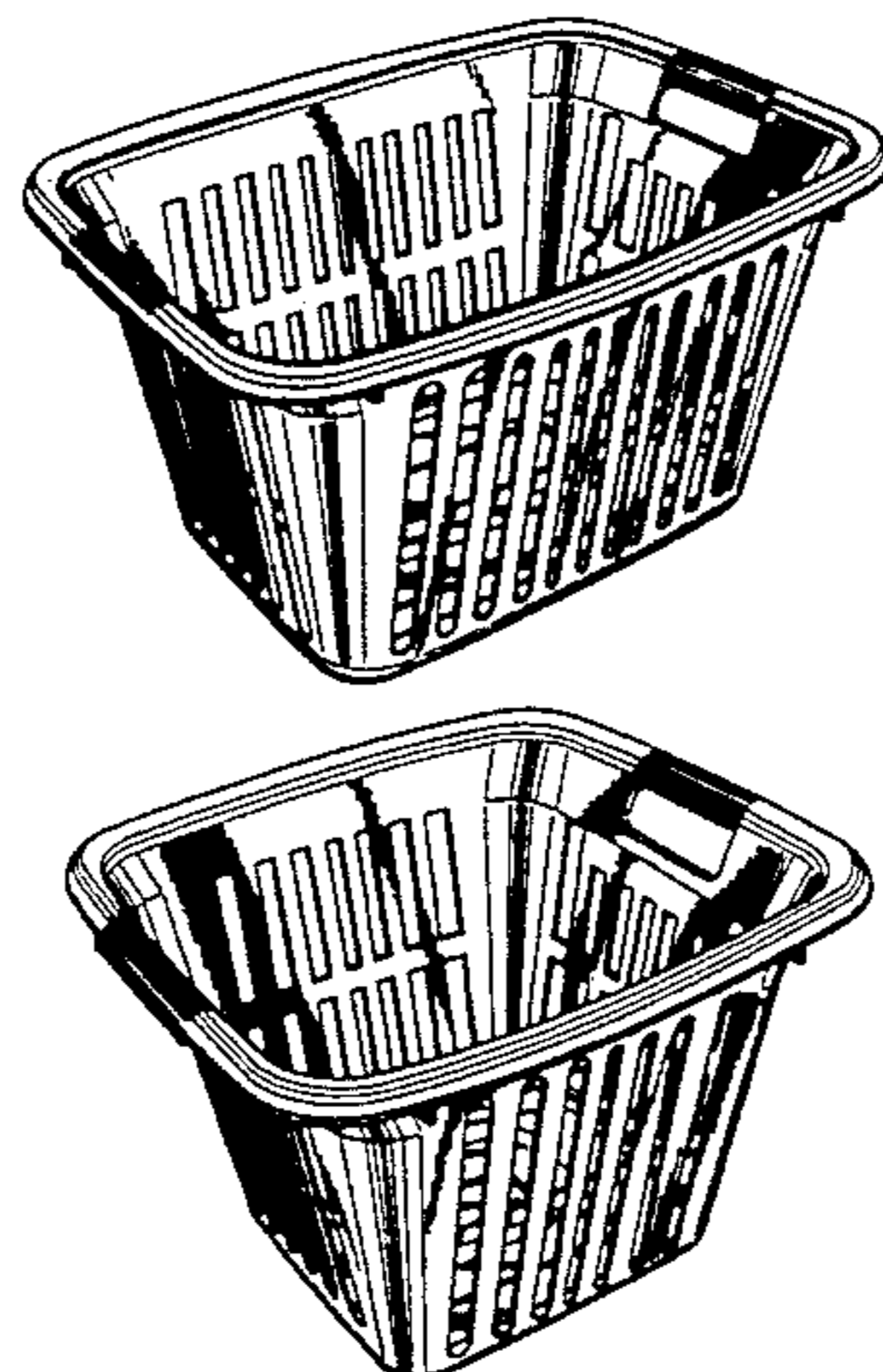
FIG. 3 is a top plan view thereof;

FIG. 4 is a bottom plan view thereof;

FIG. 5 is a side elevational view thereof; the opposite side being a mirror image.

FIG. 6 is a top left front perspective view of a second embodiment of the design shown in FIGS. 1-5, the only differences residing in the length of the basket and the number of elongated apertures along the front and rear walls; and,

FIG. 7 is an enlarged front elevational view thereof, the rear elevational view being a mirror image.



OTHER PUBLICATIONS

Catalog Page, Baskets, Frem Corporation, 60 Webster Place, Box 4, Worcester, Massachusetts 01603. It is believed that the product depicted herein has been on sale for more than one (1) year prior to the application date of this instant application.

Catalog Page, Baskets, Frem Corporation, 60 Webster Place, Box 4, Worcester, Massachusetts 01603. It is

believed that the product depicted herein has been on sale for more than one (1) year prior to the application date of this instant application.

P. 18, Laundry baskets, Sterilite Corporation, P.O. Box 524, Main Street, Townsend, Massachusetts Publication date 1980.

P. 16, Laundry baskets, Curver, Takkebijsters 75, Postbus 6810, 4802 HV Breda, The Netherlands. Publication date 1990.

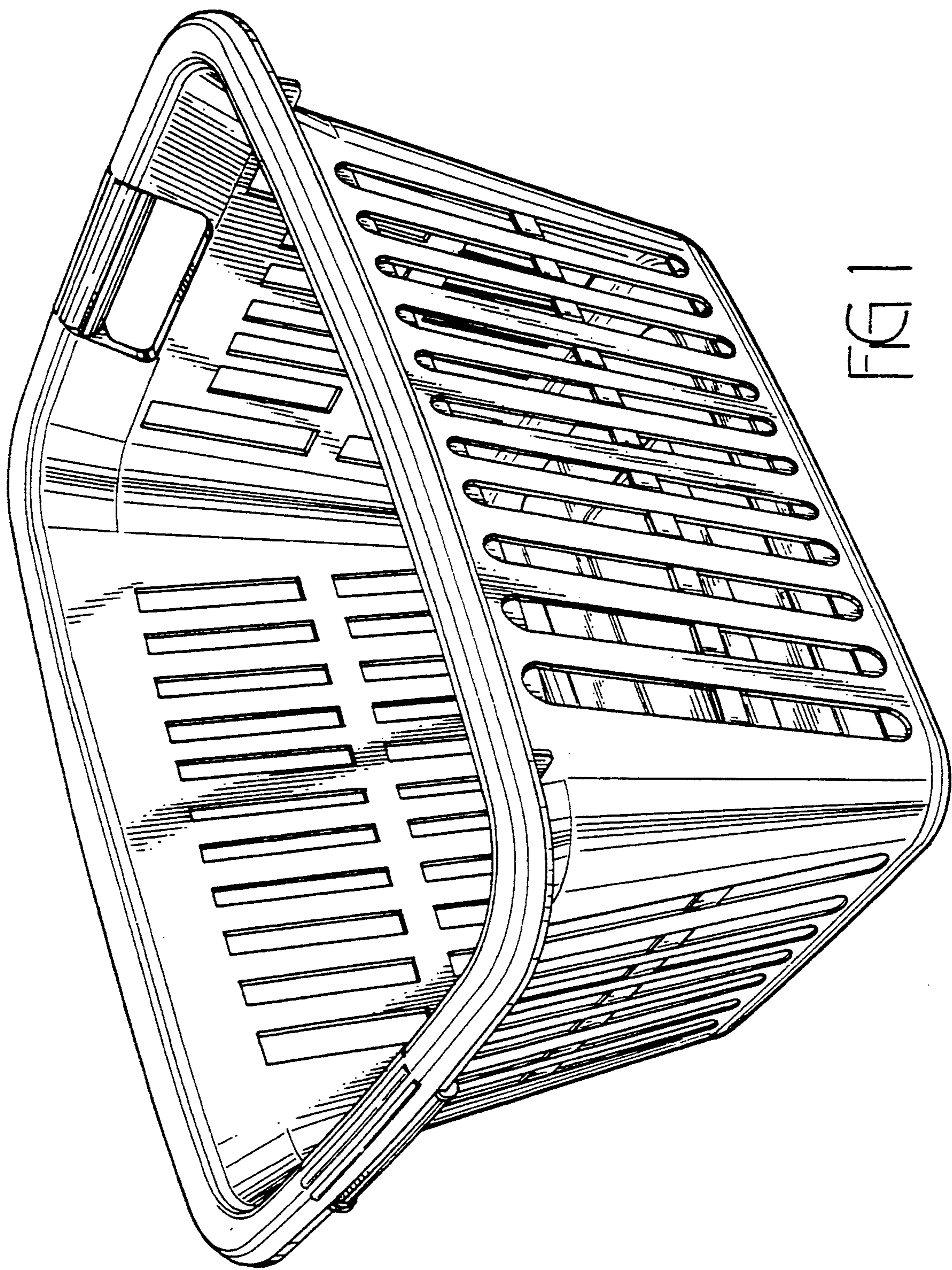


FIG 1

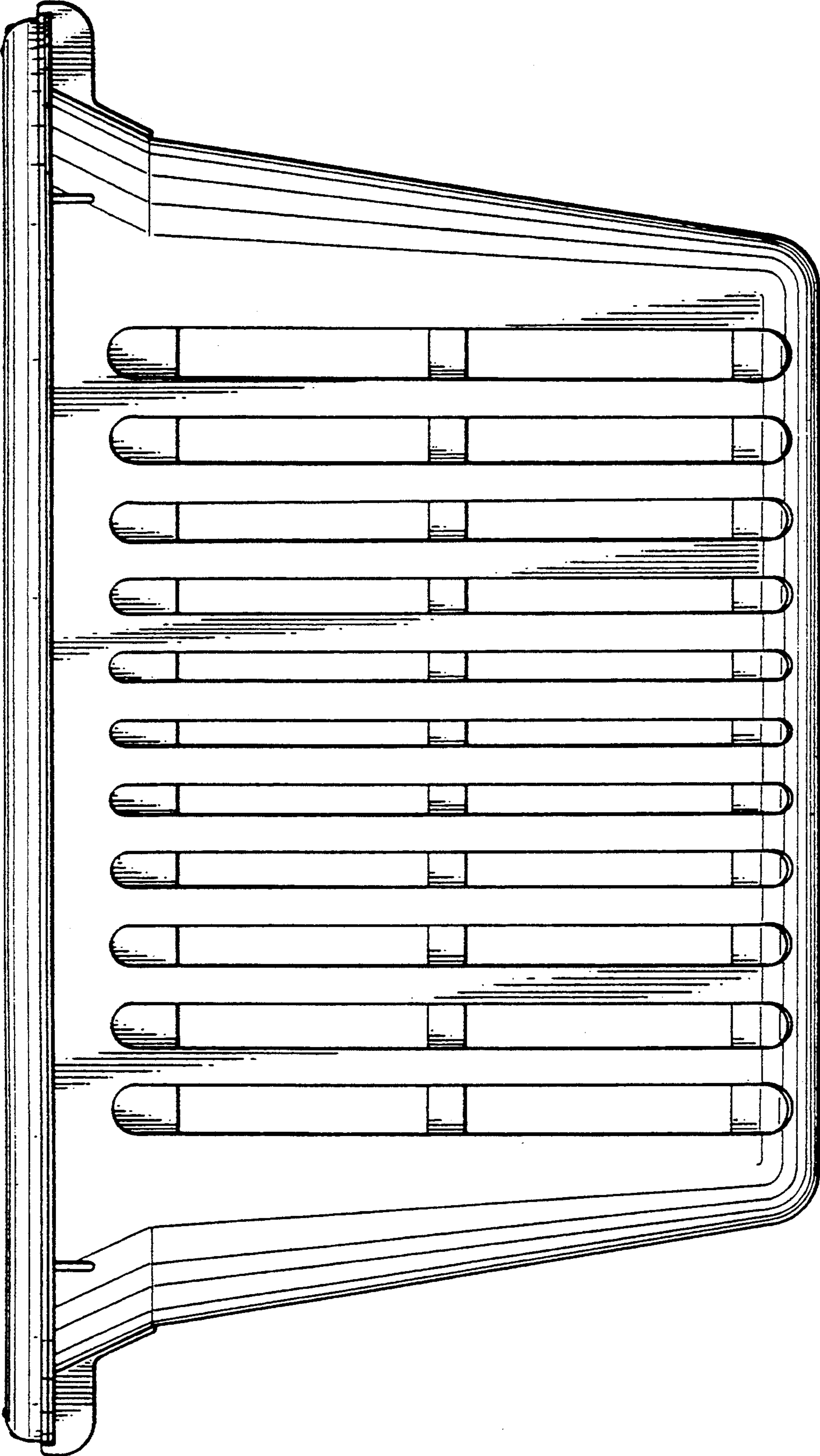


FIG. 2

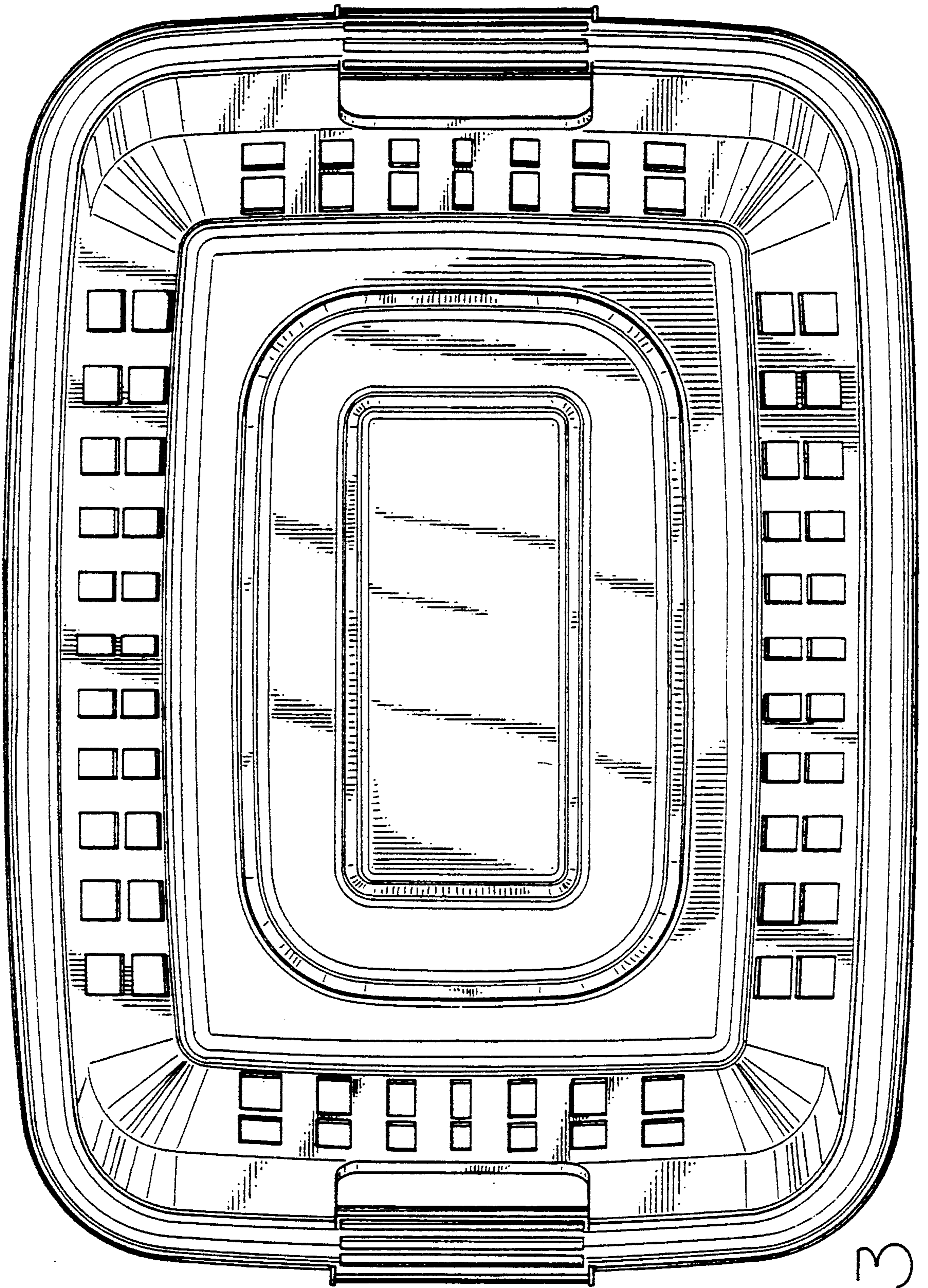


FIG. 3

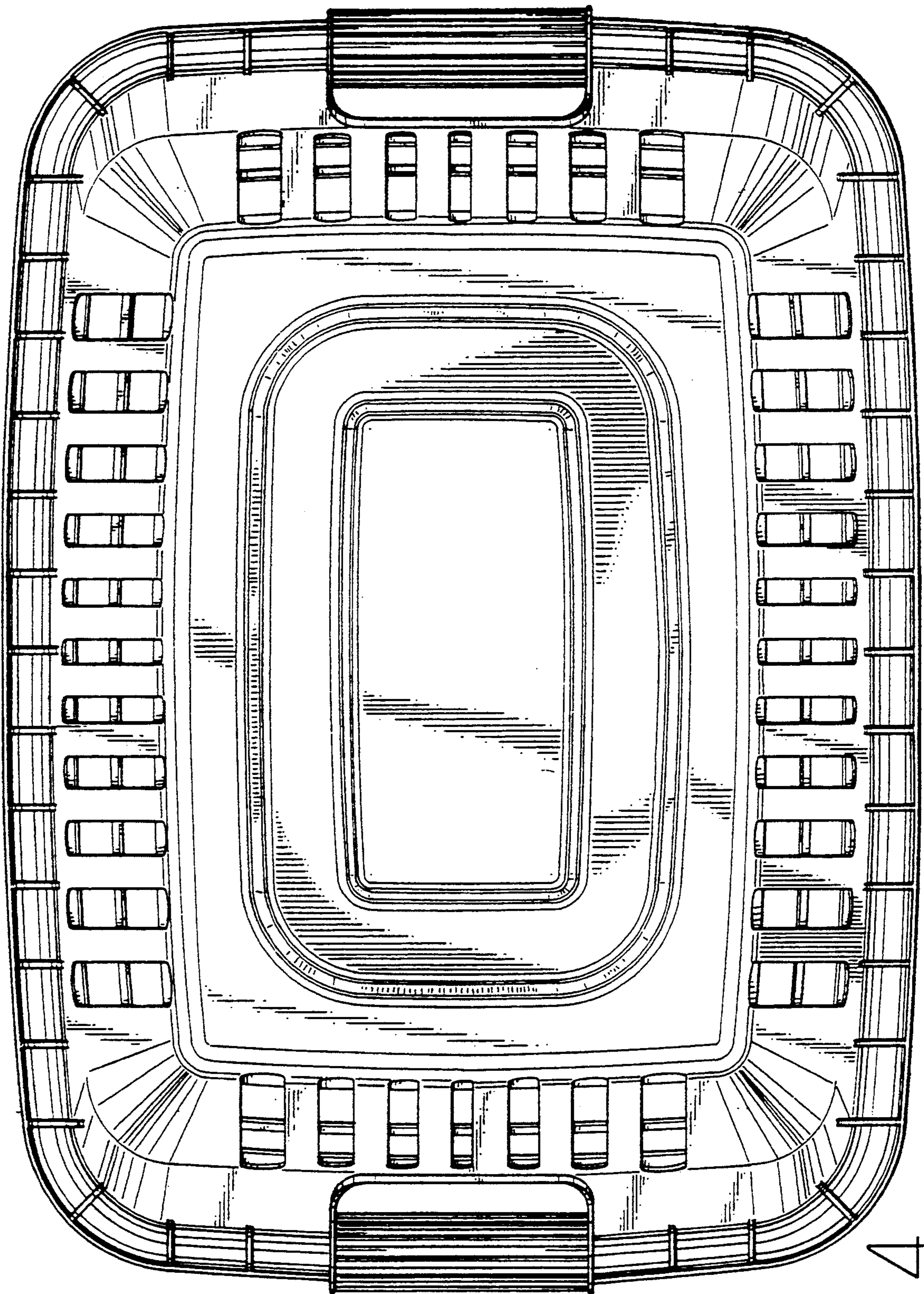


FIG. 4

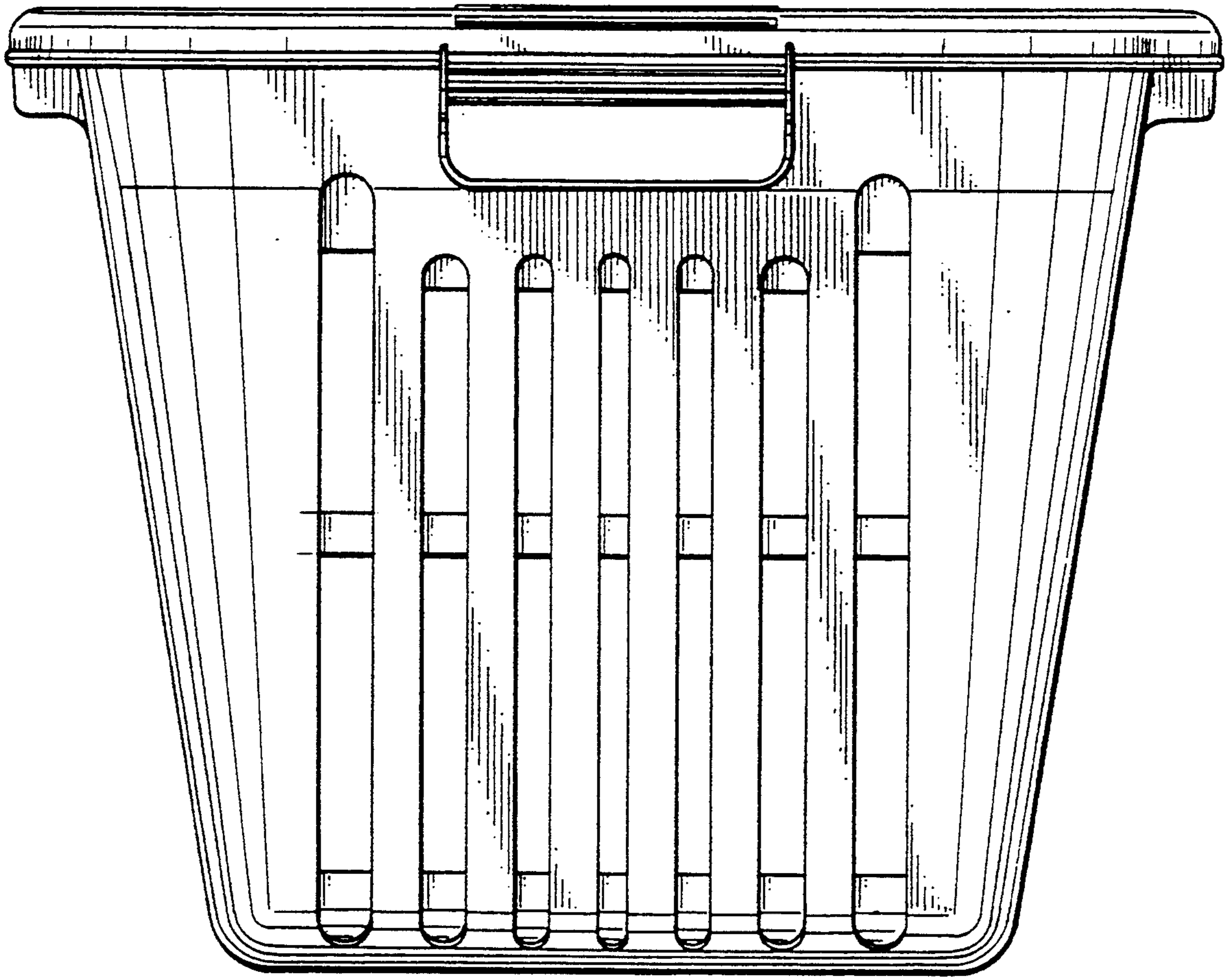


FIG. 5

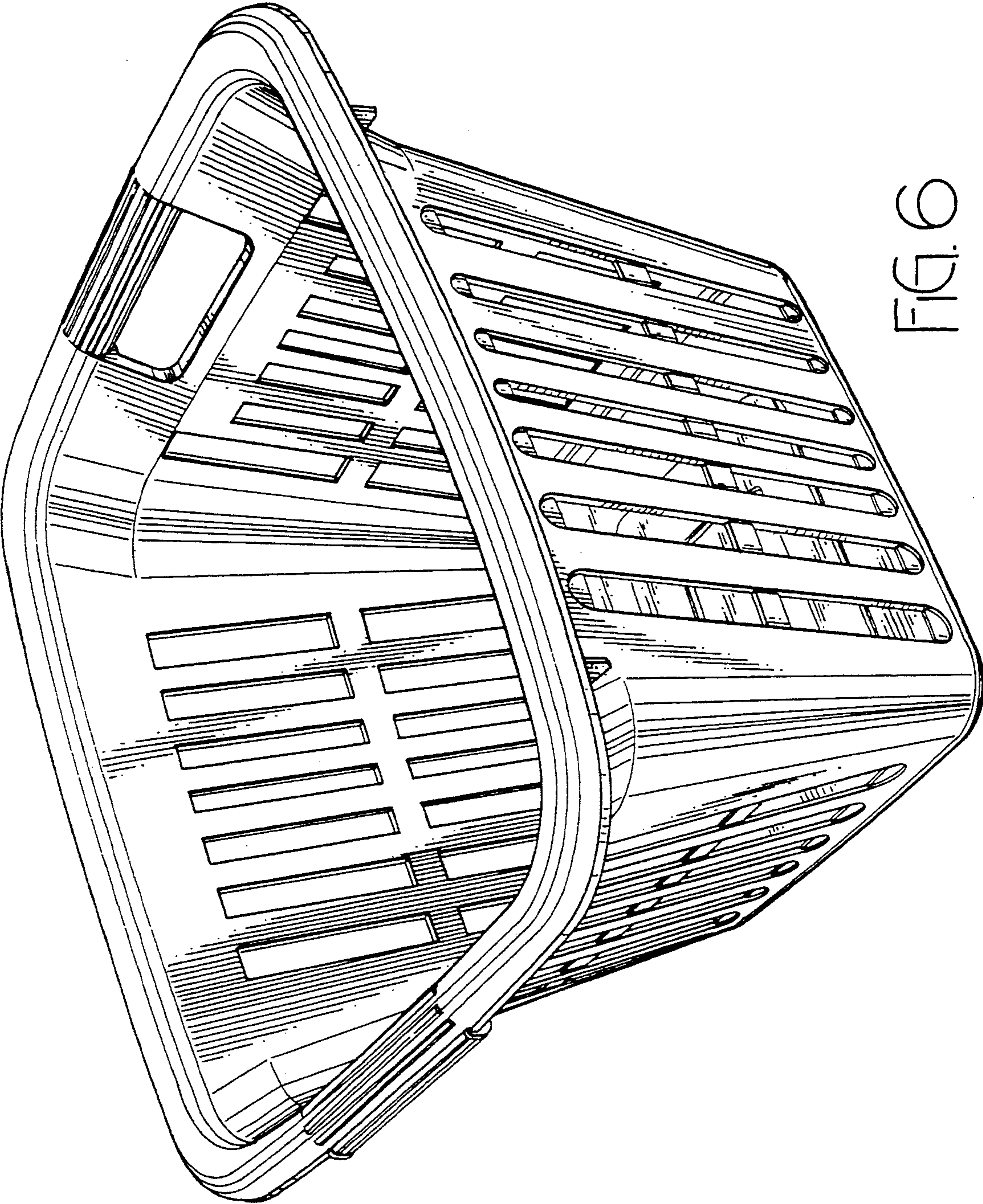


FIG. 6



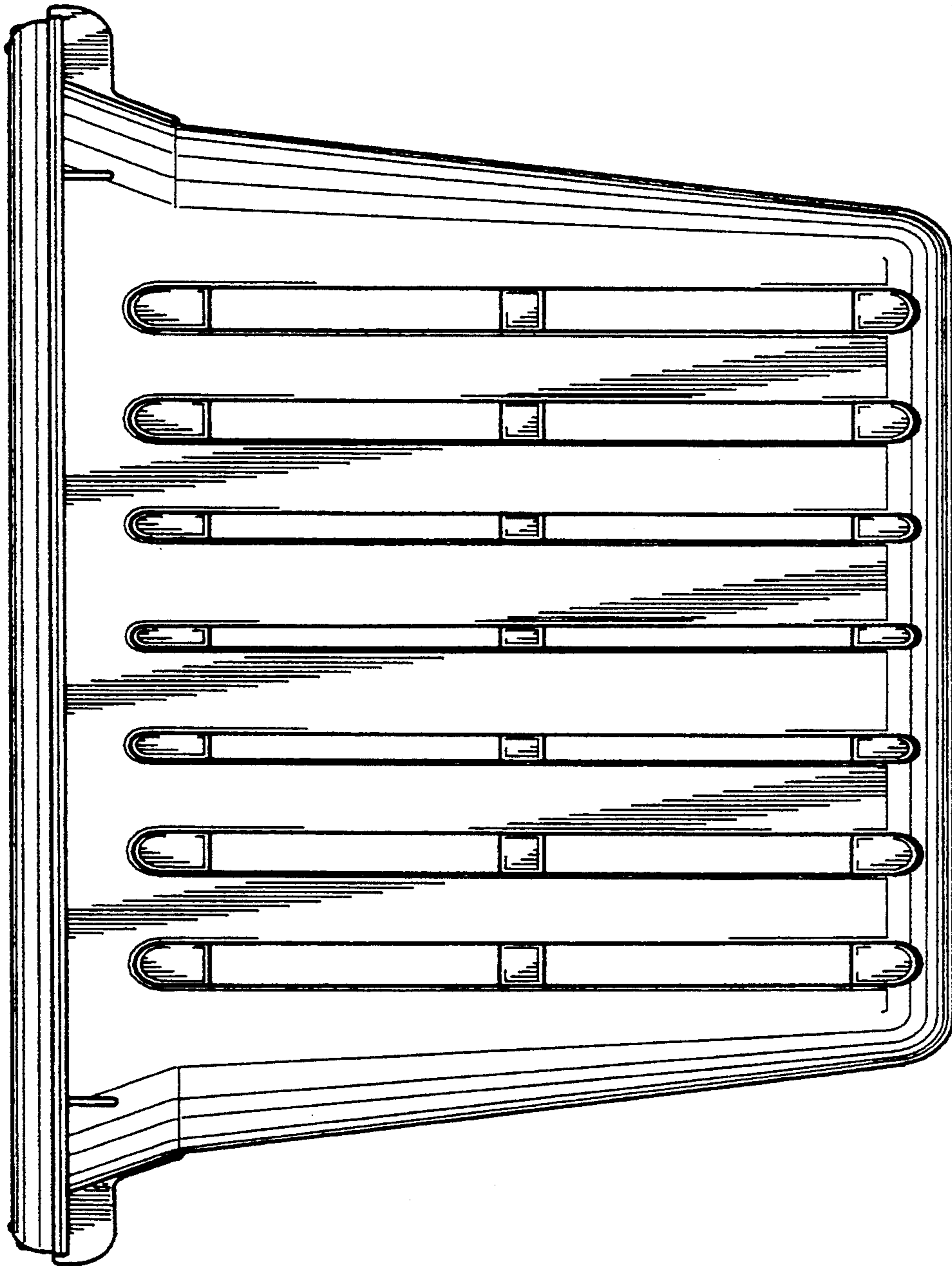


FIG. 7