



US00D350422S

# United States Patent [19]

[11] Patent Number: **Des. 350,422**

Foster, Sr.

[45] Date of Patent: **\*\* Sep. 6, 1994**

[54] **POWER VENTED LITTER BOX**

122924 1/1931 Fed. Rep. of Germany ..... D30/9  
3500498 5/1986 Fed. Rep. of Germany ..... D30/  
8908387 9/1989 PCT Int'l Appl. .... 119/168

[76] Inventor: **Carl A. Foster, Sr.**, 2 N. Blueberry  
La., Rochester, N.H. 03867

[\*\*] Term: **14 Years**

[21] Appl. No.: **924,664**

[22] Filed: **Aug. 5, 1992**

[52] U.S. Cl. .... **D30/161; D30/109**

[58] Field of Search ..... 119/161, 163, 165, 167,  
119/168, 19, 16; D6/440, 435, 452-453;  
D30/101-107, 161

### OTHER PUBLICATIONS

Igloo Dog Homes brochure, item No. 1764Q Kitty Hut  
Litter Box.  
Better Homes & Gardens; Jul. 1980; p. 89, Igloo Play-  
house.  
Sporting Goods Dealer; Jul. 1936; p. 95; Portable Dog  
Kennel.

*Primary Examiner*—Cathy Anne MacCormac  
*Attorney, Agent, or Firm*—Hugh E. Smith

### [56] References Cited

#### U.S. PATENT DOCUMENTS

D. 245,190	7/1977	Higo .....	D30/108
D. 320,479	10/1991	Cheval et al. ....	D30/108
479,942	8/1892	Holladay .....	119/19
2,538,778	1/1951	Halpin .....	119/19
2,790,414	4/1957	Rossow .....	119/19
3,165,110	1/1965	Brooks .....	119/19
3,509,855	5/1970	Priddy, Jr. ....	D30/109
4,334,501	6/1982	McDaniel .....	119/16
4,760,816	8/1988	Rhodes .....	119/168
5,117,781	6/1992	Roach .....	119/168
5,140,948	8/1992	Roberts .....	119/19

#### FOREIGN PATENT DOCUMENTS

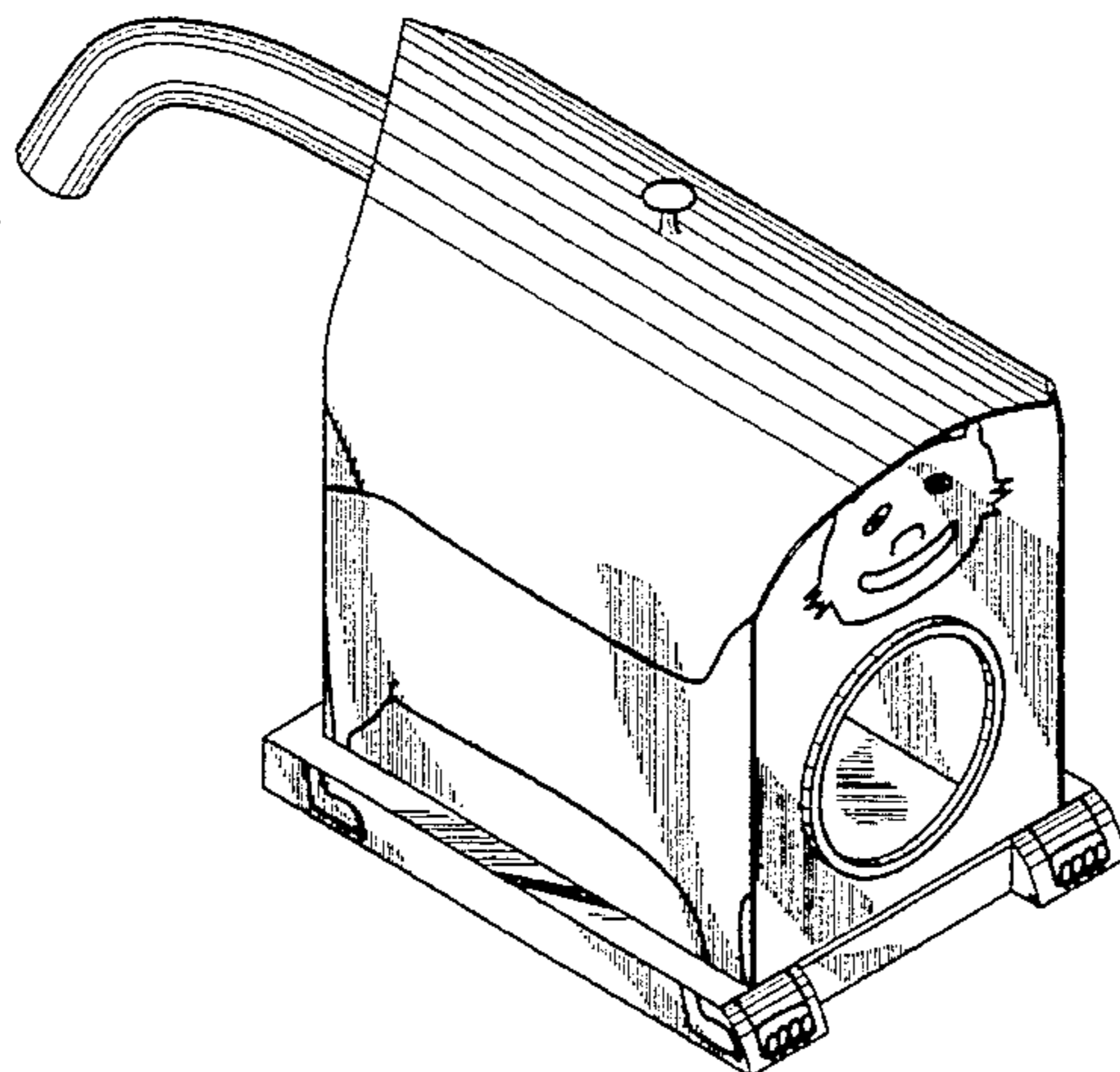
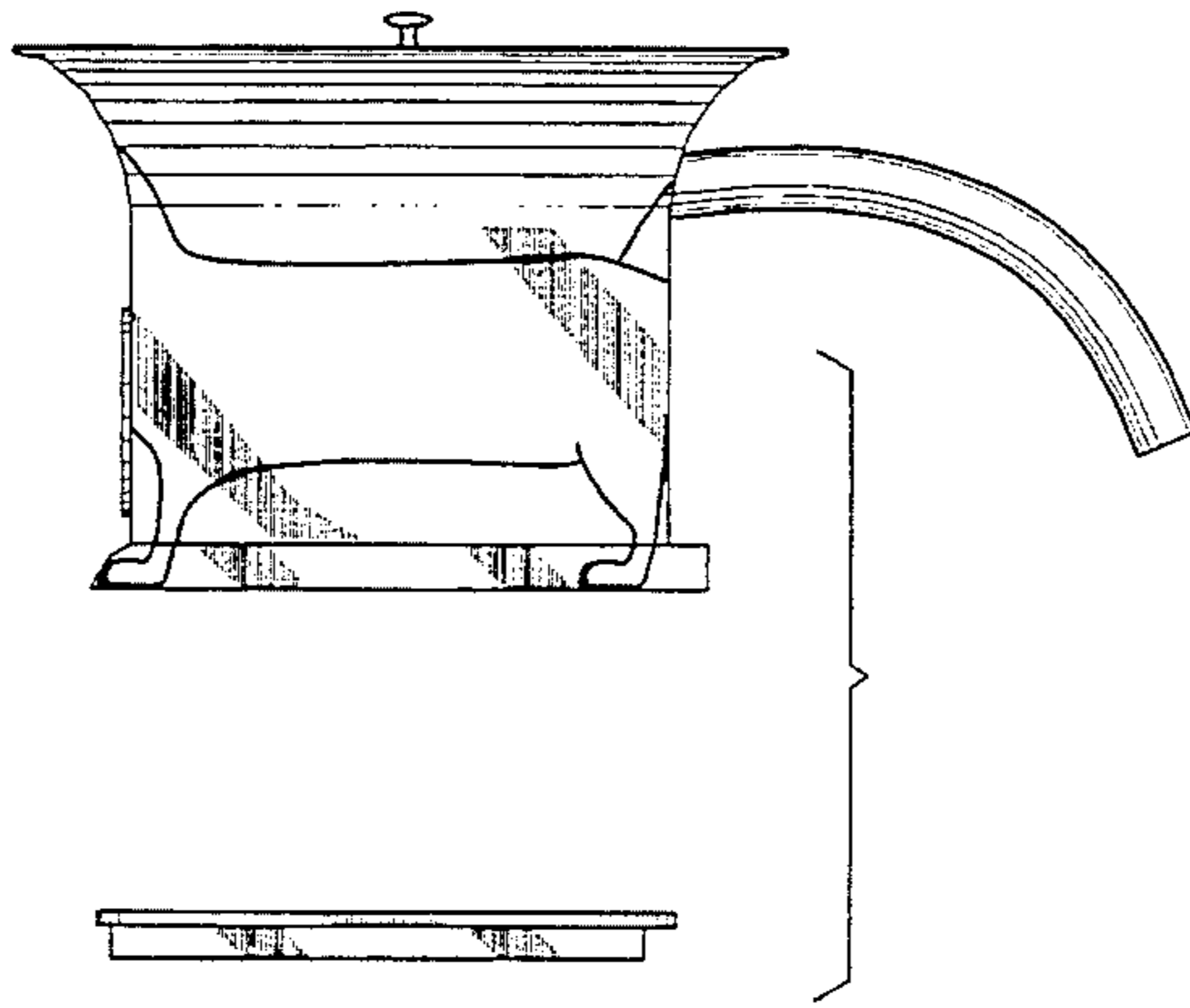
52060 3/1911 Fed. Rep. of Germany ..... 119/19

### [57] CLAIM

The ornamental design for a power vented litter box, as shown and described.

### DESCRIPTION

FIG. 1 is a front elevational view of the power vented litter box showing my new design;  
FIG. 2 is a rear elevational view thereof;  
FIG. 3 is a left side elevational view thereof;  
FIG. 4 is a right side elevational view thereof;  
FIG. 5 is a top plan view thereof;  
FIG. 6 is a bottom plan view thereof;  
FIG. 7 is a right side elevational exploded view thereof;  
FIG. 8 is a top, front perspective view thereof; and,  
FIG. 9 is a bottom, front perspective view of my invention.



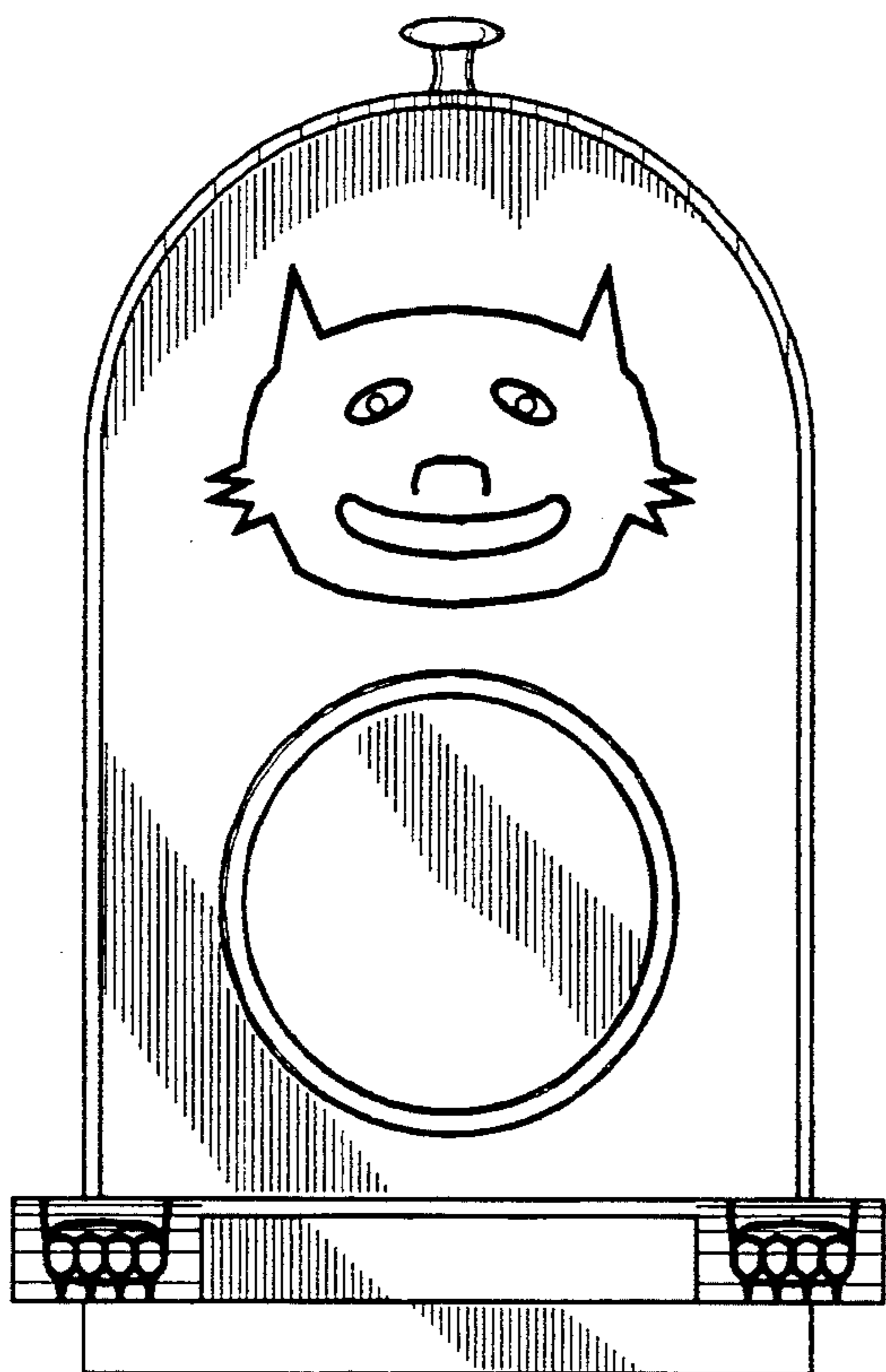


FIG. 1

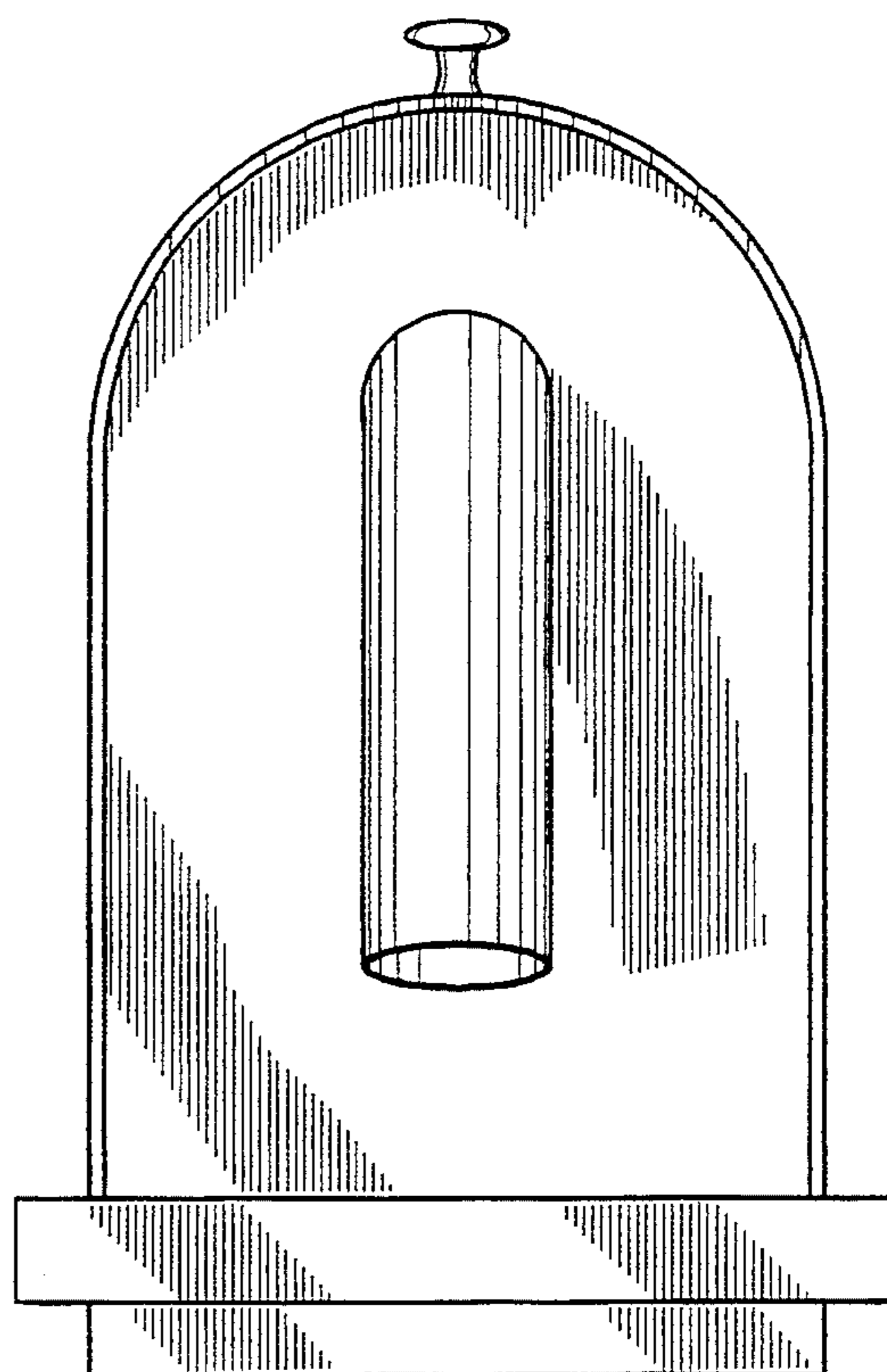


FIG. 2

FIG. 3

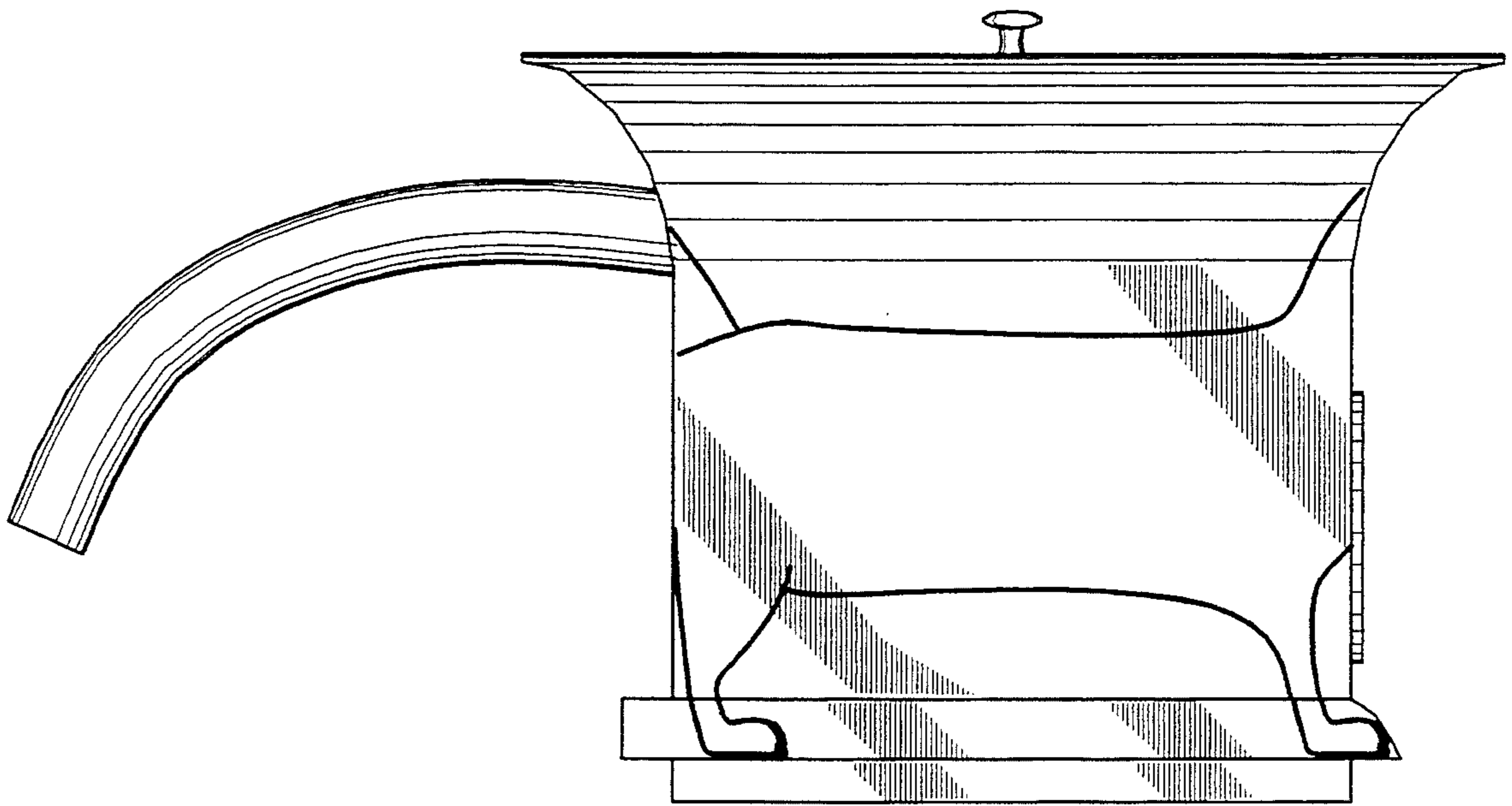


FIG. 4

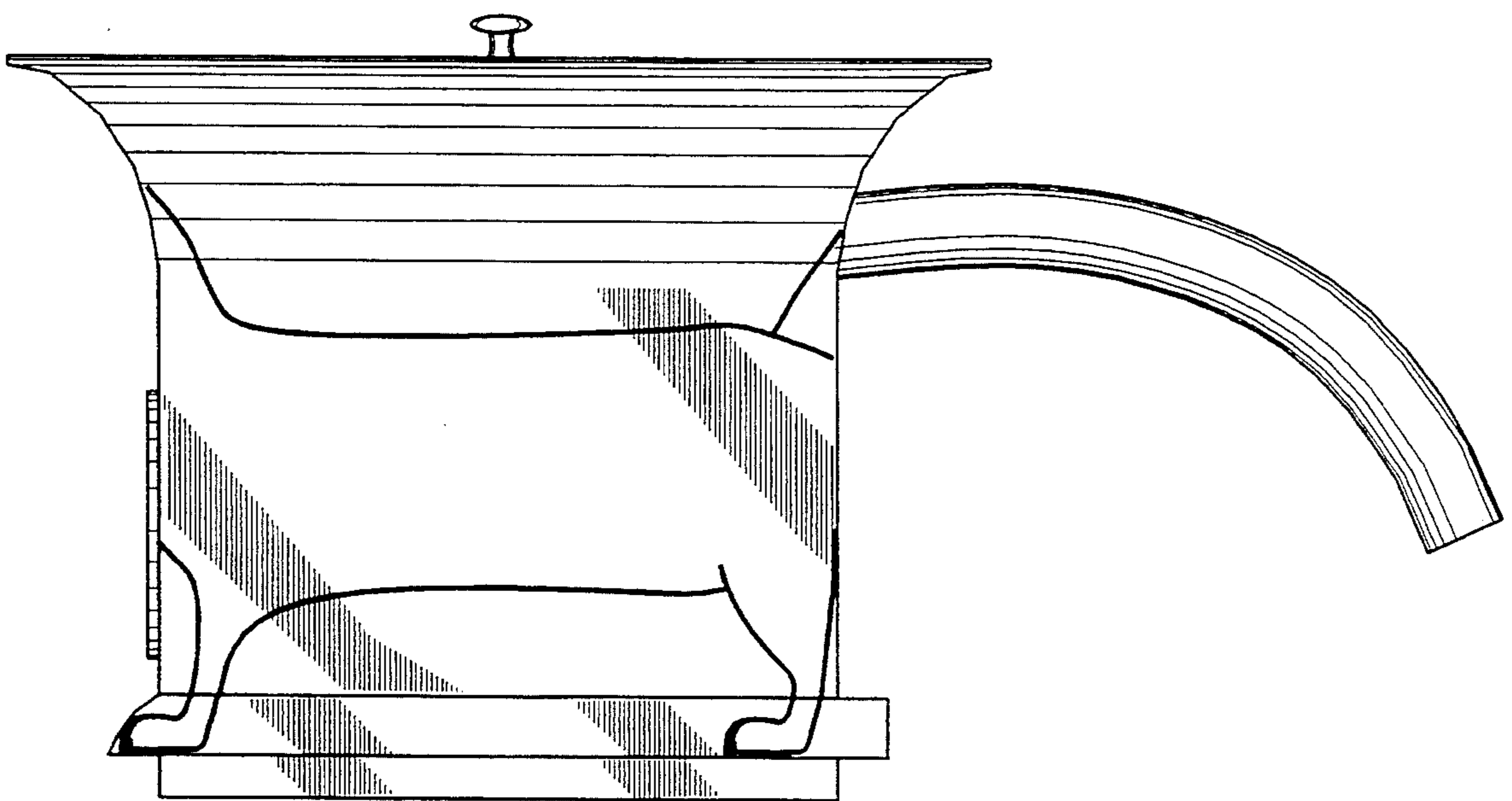


FIG. 5

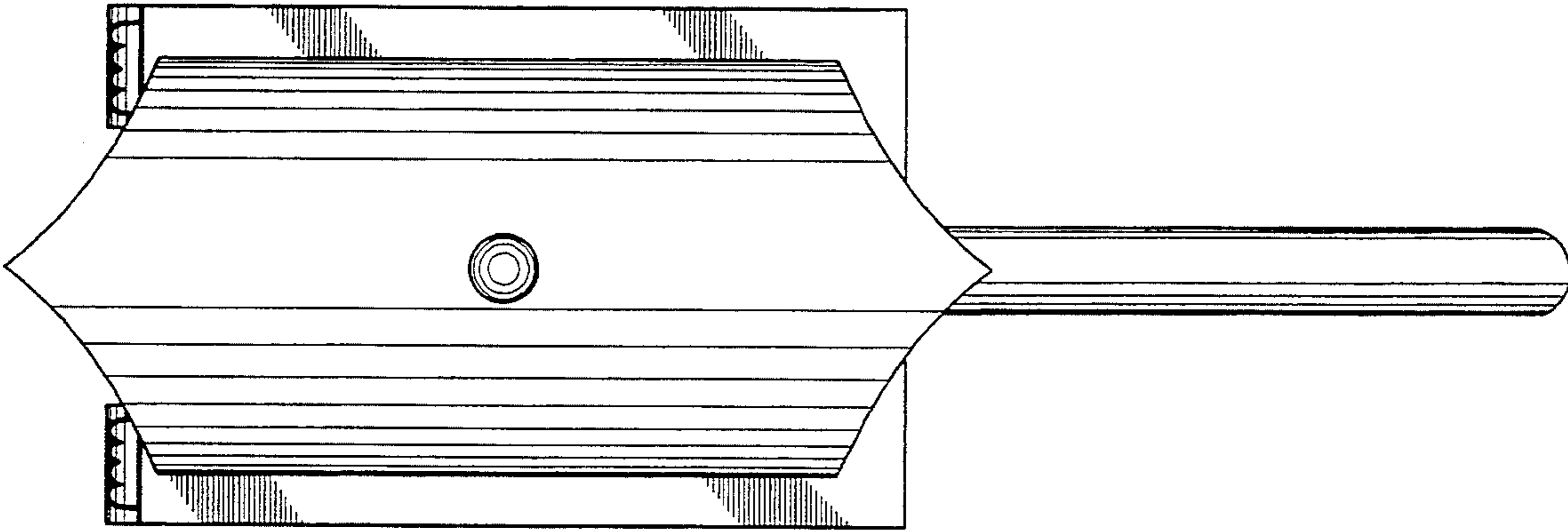
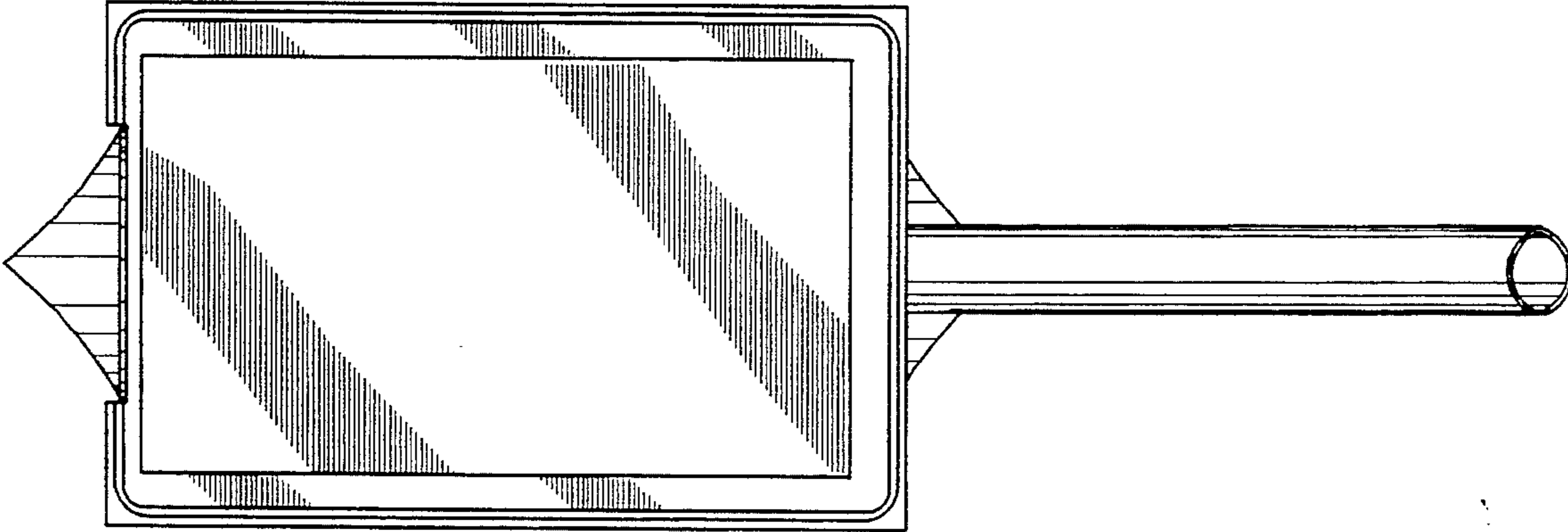


FIG. 6





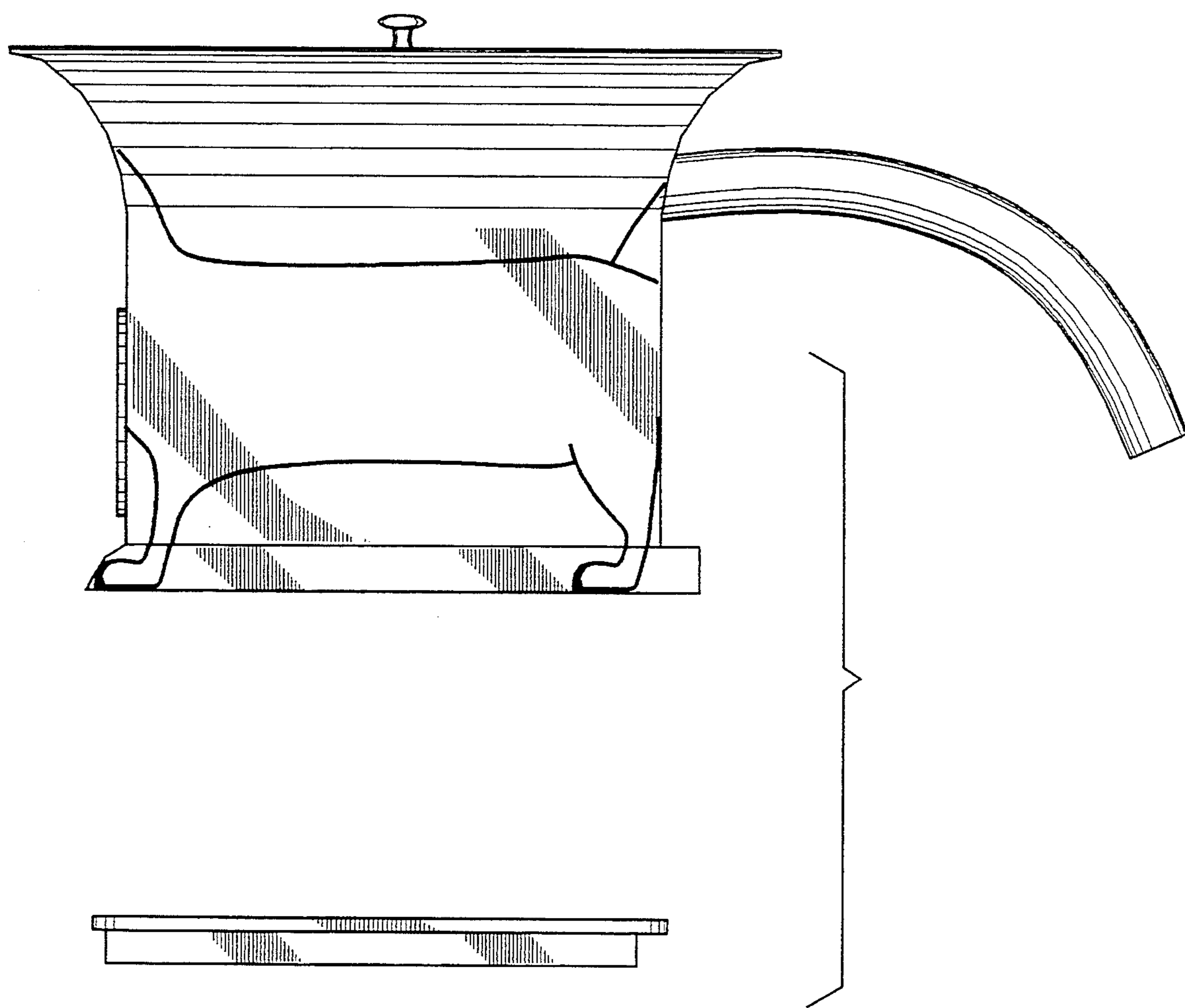


FIG. 7

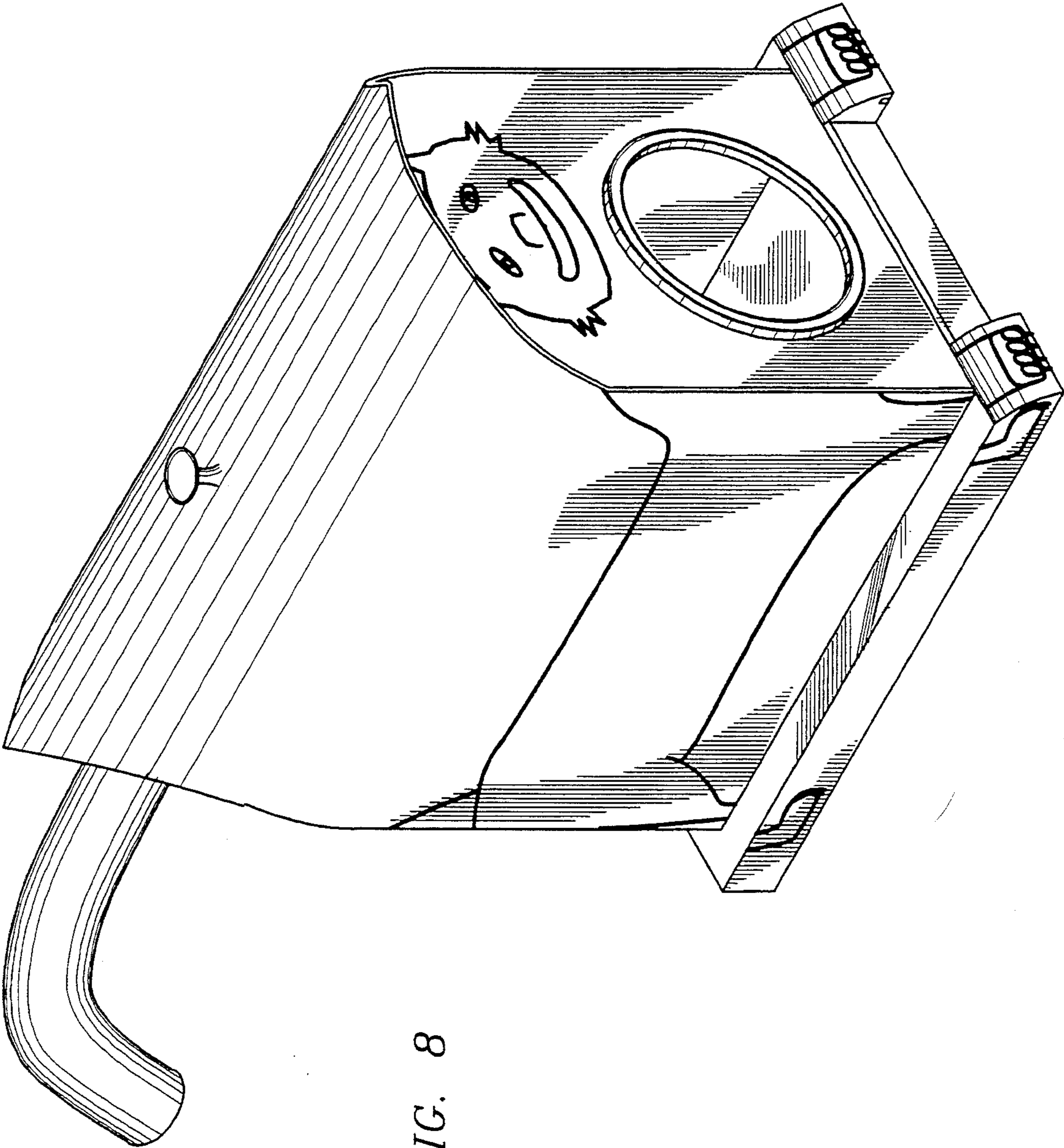


FIG. 8

FIG. 9

