



US00D350416S

United States Patent [19]

[11] Patent Number: **Des. 350,416**

Doiron

[45] Date of Patent: **** Sep. 6, 1994**

[54] **FIRE ESCAPE KIT FOR BUILDING EMERGENCIES**

3,999,627 12/1976 Naka .
4,671,384 6/1987 Sing D29/6
4,768,619 9/1988 Darnell D29/1

[76] Inventor: **Dennis Doiron**, 8646 115-A St.,
Delta, B. C., Canada, V4C-5R9

Primary Examiner—Wallace R. Burke
Assistant Examiner—Marcus Jackson
Attorney, Agent, or Firm—Terry M. Gernstein

[**] Term: **14 Years**

[21] Appl. No.: **943**

[57] **CLAIM**

[22] Filed: **Oct. 29, 1992**

The ornamental design for a fire escape kit for building emergencies, as shown and described.

[52] U.S. Cl. **D29/124**

[58] Field of Search 169/50, 51, 52;
239/194, 195, 196, 197, 198; D10/104, 106, 109,
121; D29/1, 4, 5, 6

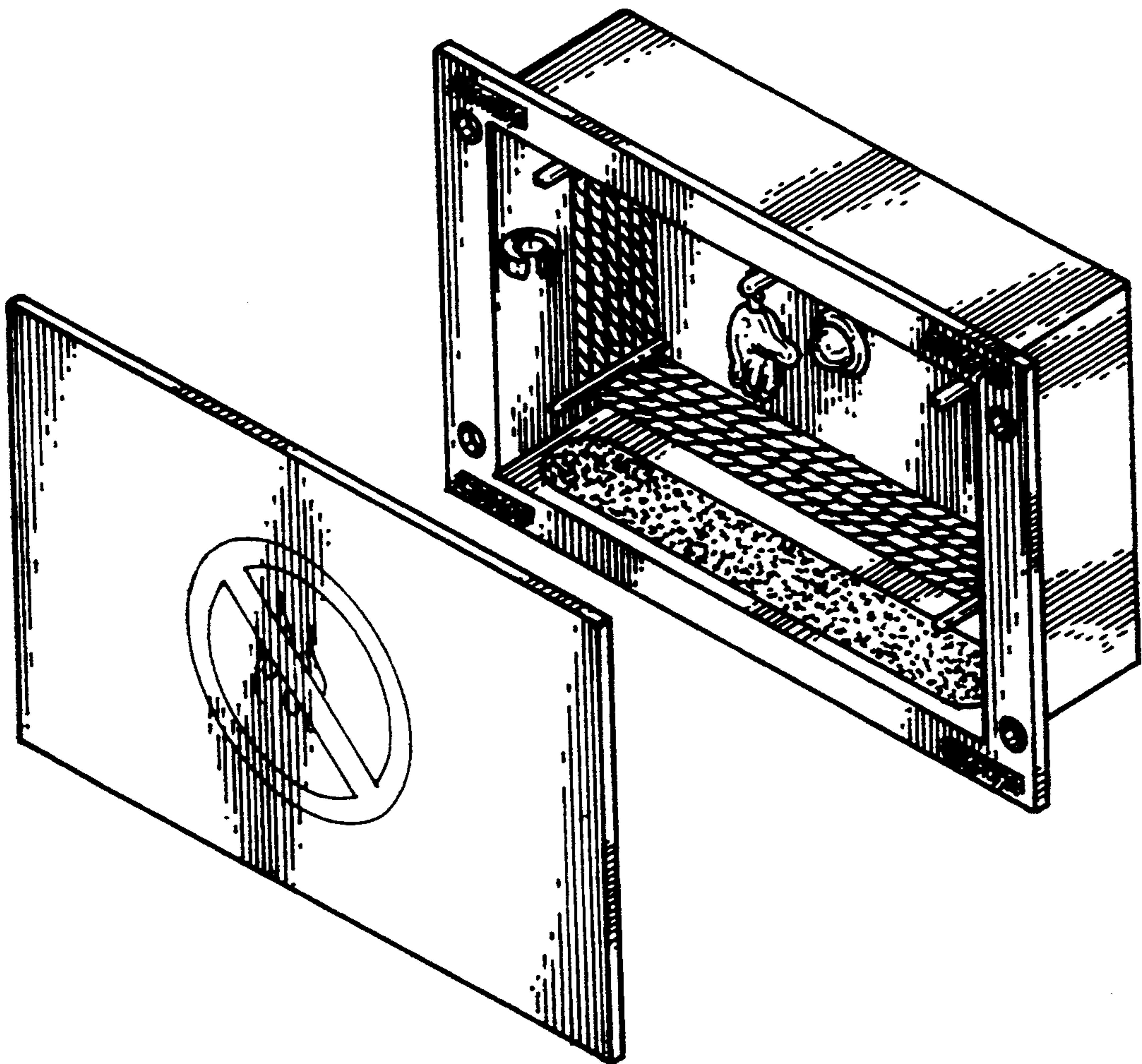
DESCRIPTION

[56] **References Cited**

U.S. PATENT DOCUMENTS

D. 107,882 1/1938 Nesbitt D29/1
D. 254,600 4/1980 Jones, III D29/6
D. 321,417 11/1991 Flannagan D29/1
1,300,870 4/1919 Plush .
1,321,869 11/1919 Wilson .
1,397,643 11/1921 Lyle .
2,078,146 4/1937 Blanc .

FIG. 1 is a perspective view of a fire escape kit for building emergencies showing my new design, with the panel removed for clarity of illustration only; FIG. 2 is a front elevational view thereof; FIG. 3 is a rear elevational view thereof; FIG. 4 is a side elevational view thereof, the side opposite being a mirror image of the side shown in FIG. 4; and, FIG. 5 is a top plan view thereof, the bottom view being a mirror image of the top view shown in FIG. 5.



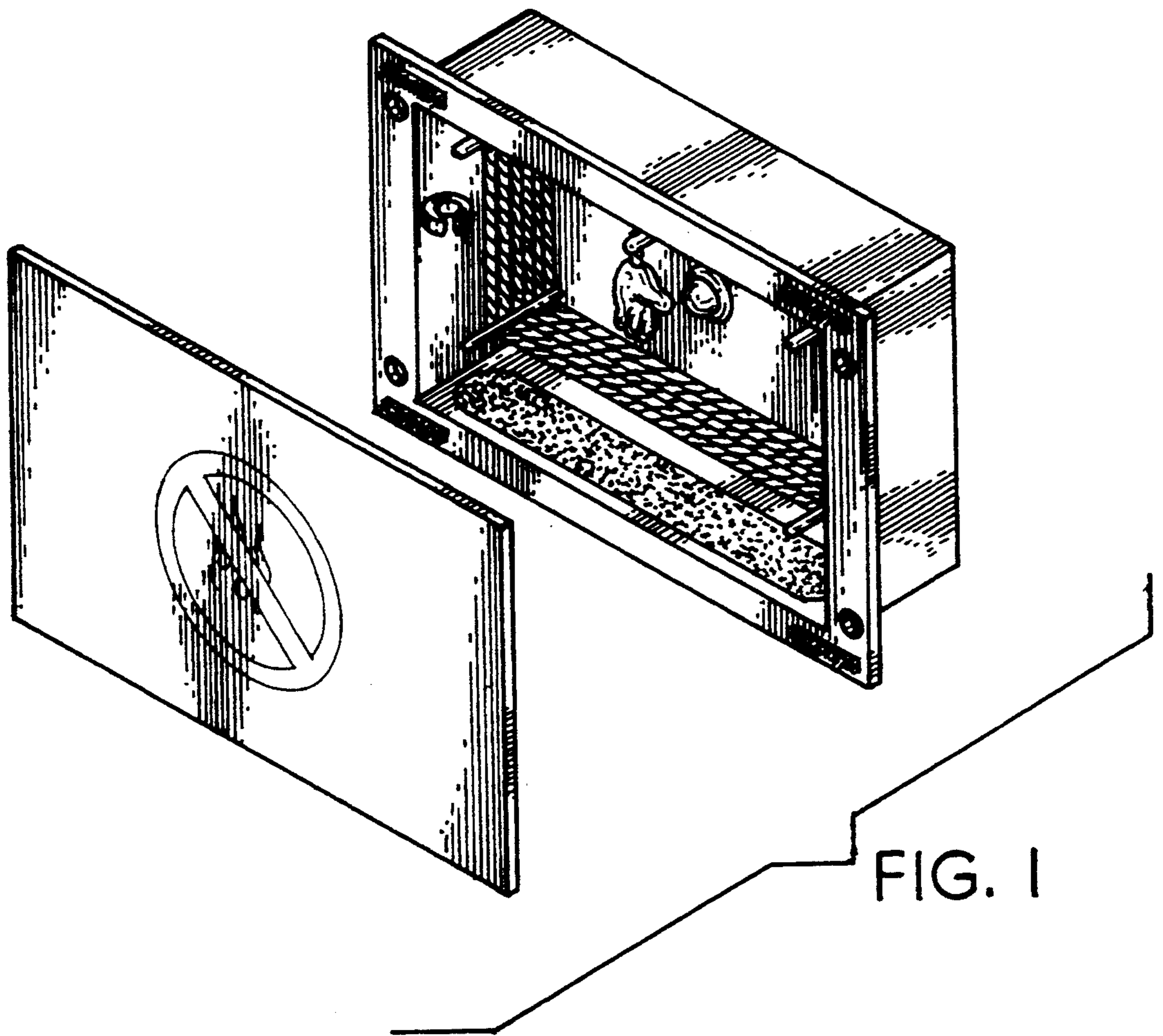


FIG. 1

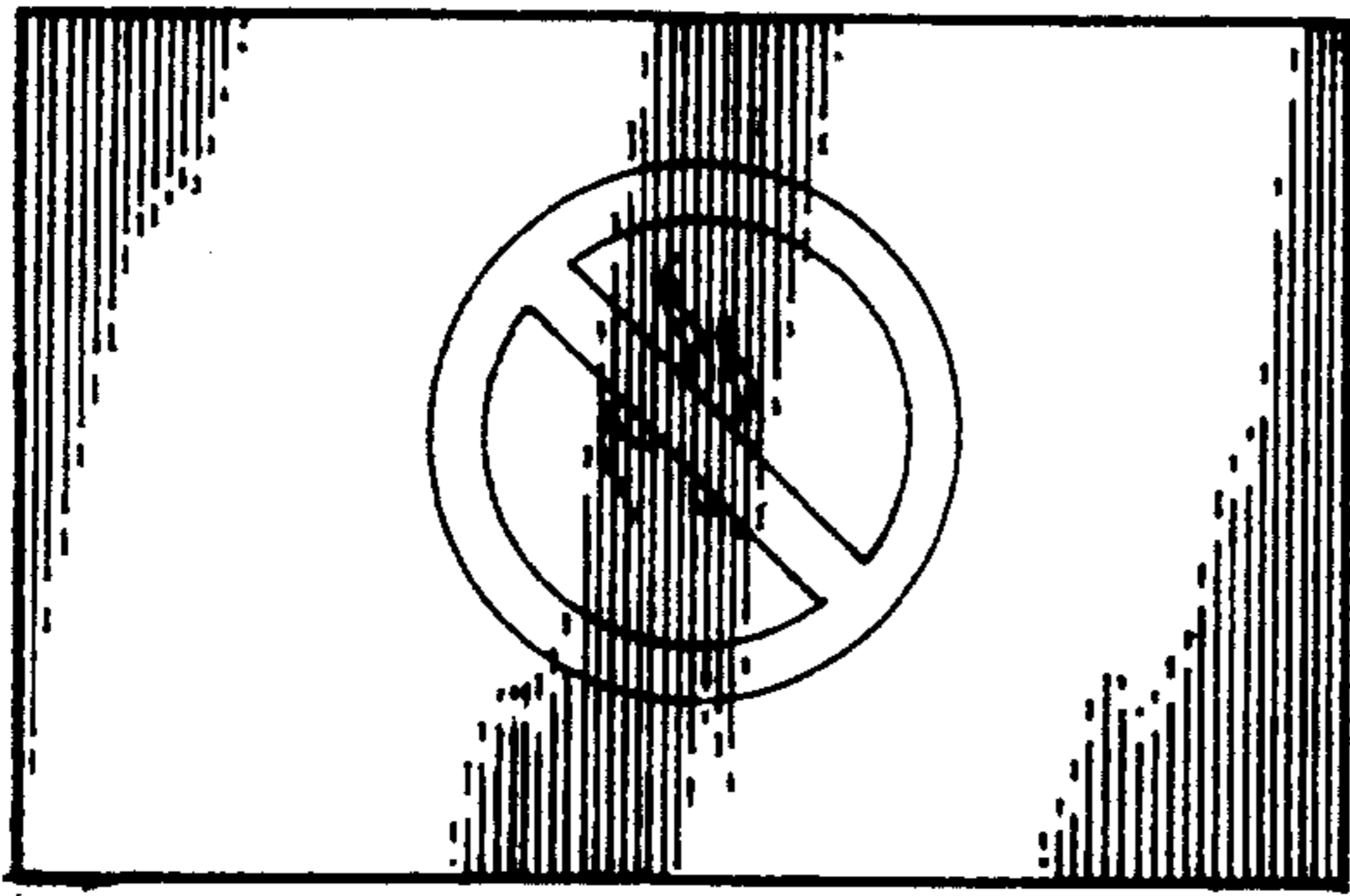


FIG. 2

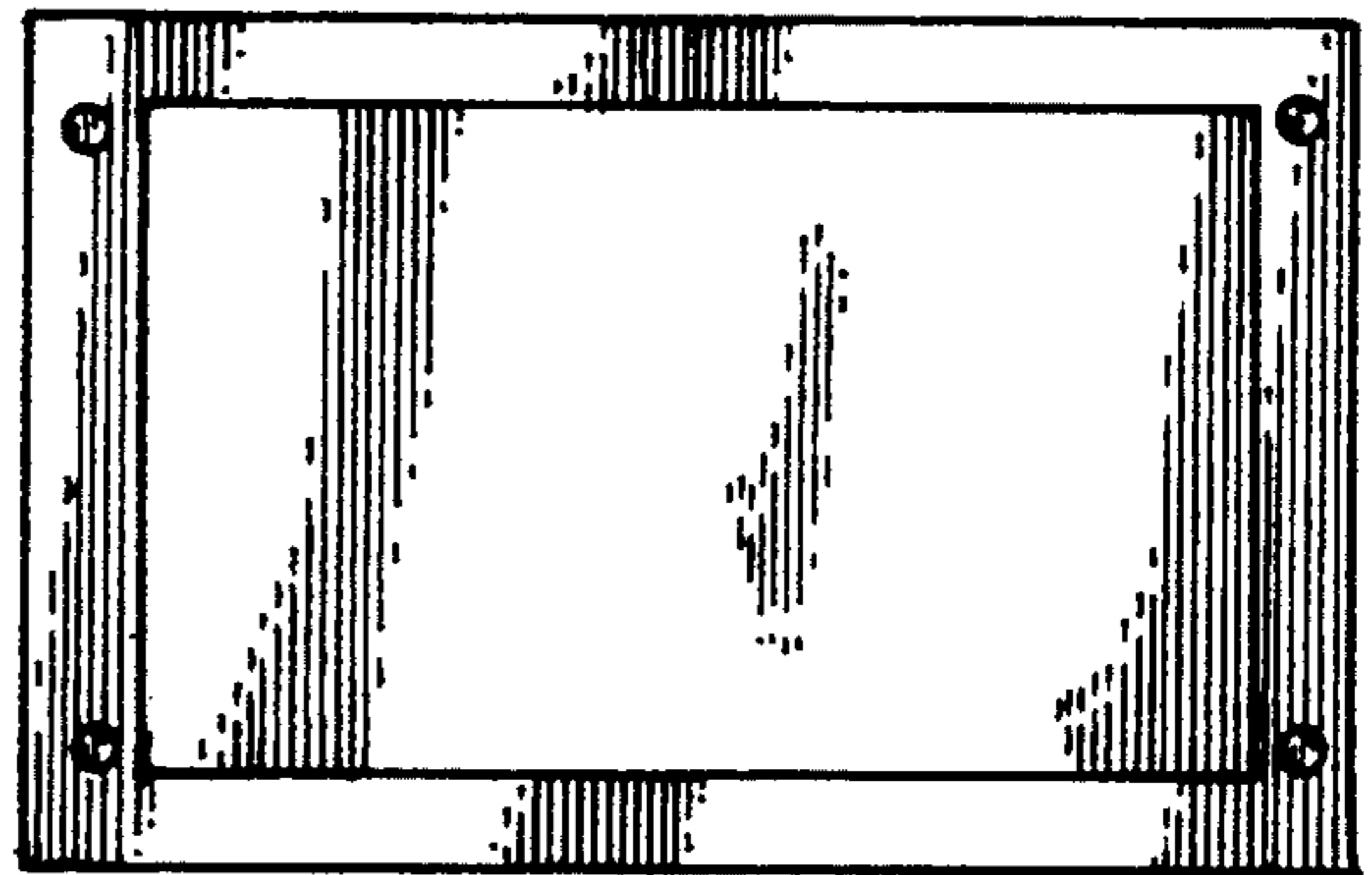


FIG. 3

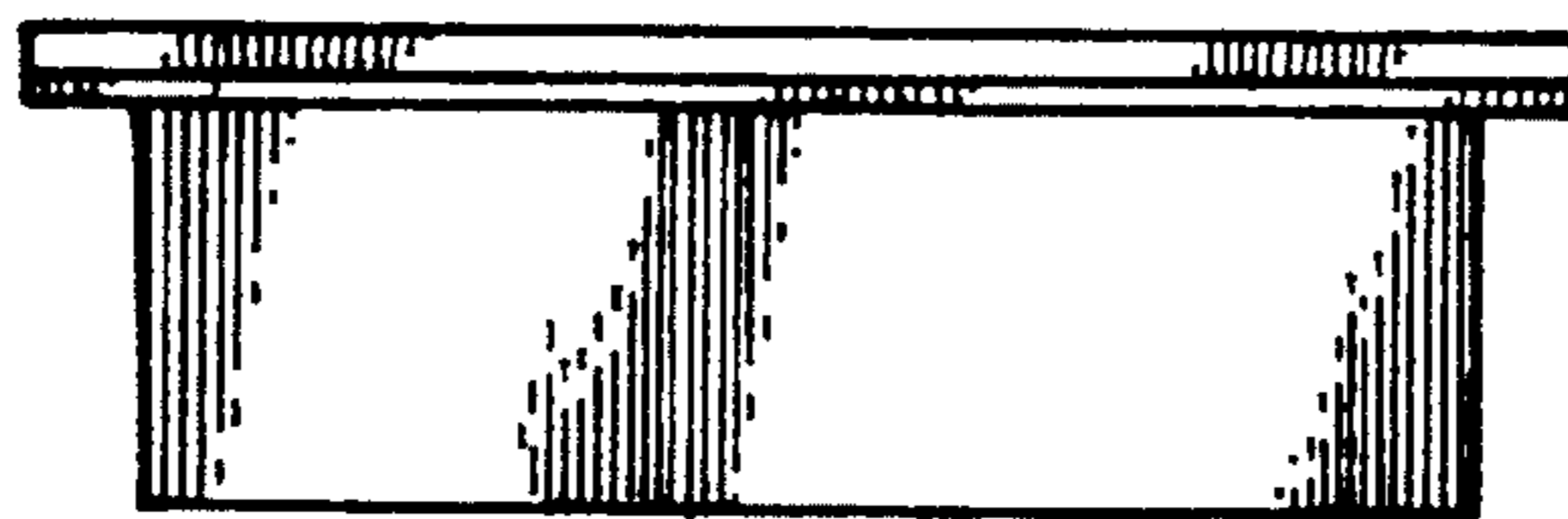


FIG. 5

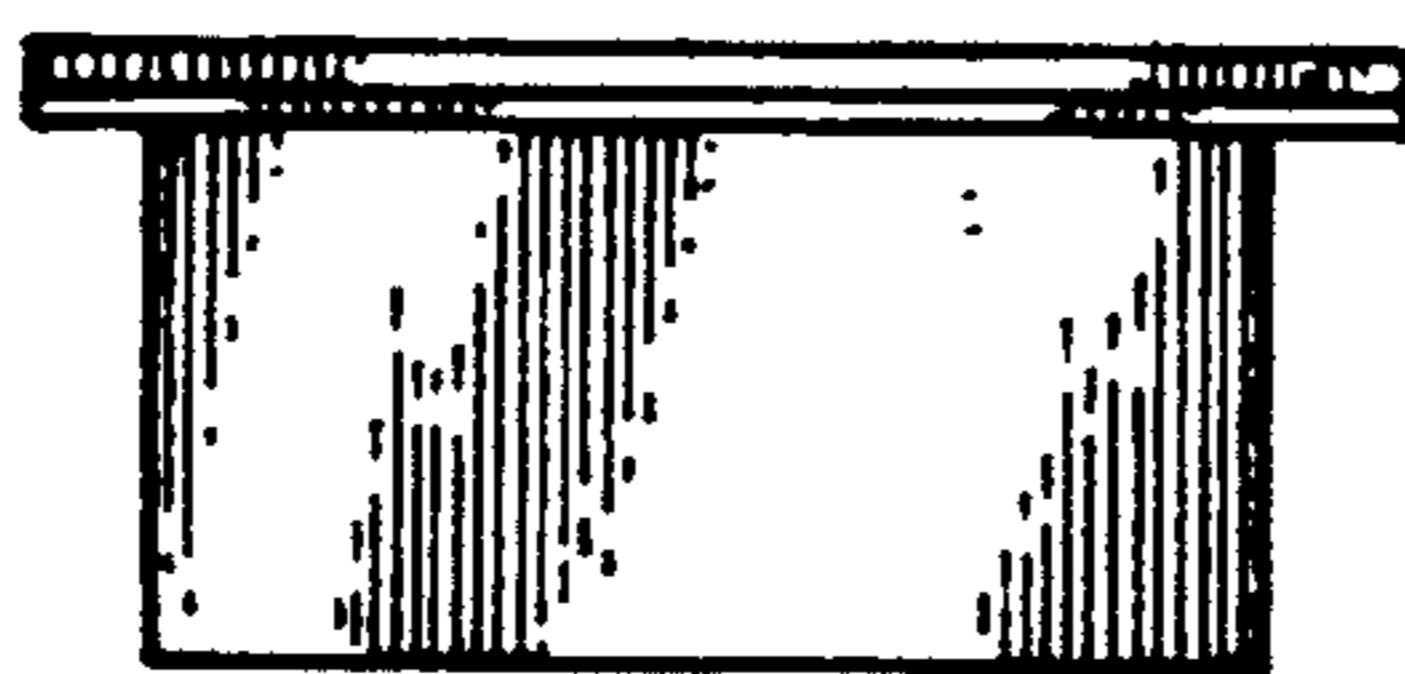


FIG. 4