



US00D350415S

United States Patent [19]

[11] Patent Number: **Des. 350,415**

Wagner

[45] Date of Patent: **** Sep. 6, 1994**

[54] **COMBINED DENTAL PICK AND STORAGE CASE**

4,403,625	9/1983	Sanders et al.	132/323
4,564,035	1/1986	Turner	132/323
4,800,905	1/1989	Stuart	132/321 X
5,076,301	12/1991	Sulskis	132/321

[76] Inventor: **Eugene C. Wagner**, c/o Dental Concepts, 9 N. Goodwin Ave., Elmsford, N.Y. 10523

Primary Examiner—Wallace R. Burke
Assistant Examiner—M. H. Tung
Attorney, Agent, or Firm—Natter & Natter

[**] Term: **14 Years**

[57] **CLAIM**

[21] Appl. No.: **809**

The ornamental design for a combined dental pick and storage case, as shown and described.

[22] Filed: **Oct. 26, 1992**

DESCRIPTION

[52] U.S. Cl. **D28/64**

[58] Field of Search 132/321-329;
206/63.5, 83, 388; D28/64; D19/41, 48, 51

FIG. 1 is a front view of a combined dental pick and storage case, the rear view is a mirror image; FIG. 2 is a top plan view thereof, the bottom plan view is identical;

[56] **References Cited**

U.S. PATENT DOCUMENTS

D. 254,912	5/1980	Ito	D19/48
D. 282,754	2/1986	LeBlanc et al.	D19/51 X
171,997	1/1876	Cowles	133/321 X
2,109,417	2/1938	Elcan	132/325
4,326,548	4/1982	Wagner	132/328

FIG. 3 is an enlarged scale right end view thereof; FIG. 4 is an enlarged scale left end view thereof; and, FIG. 5 is a front perspective view thereof, the cover is shown removed for clarity of illustration, the rear perspective view is a mirror image.

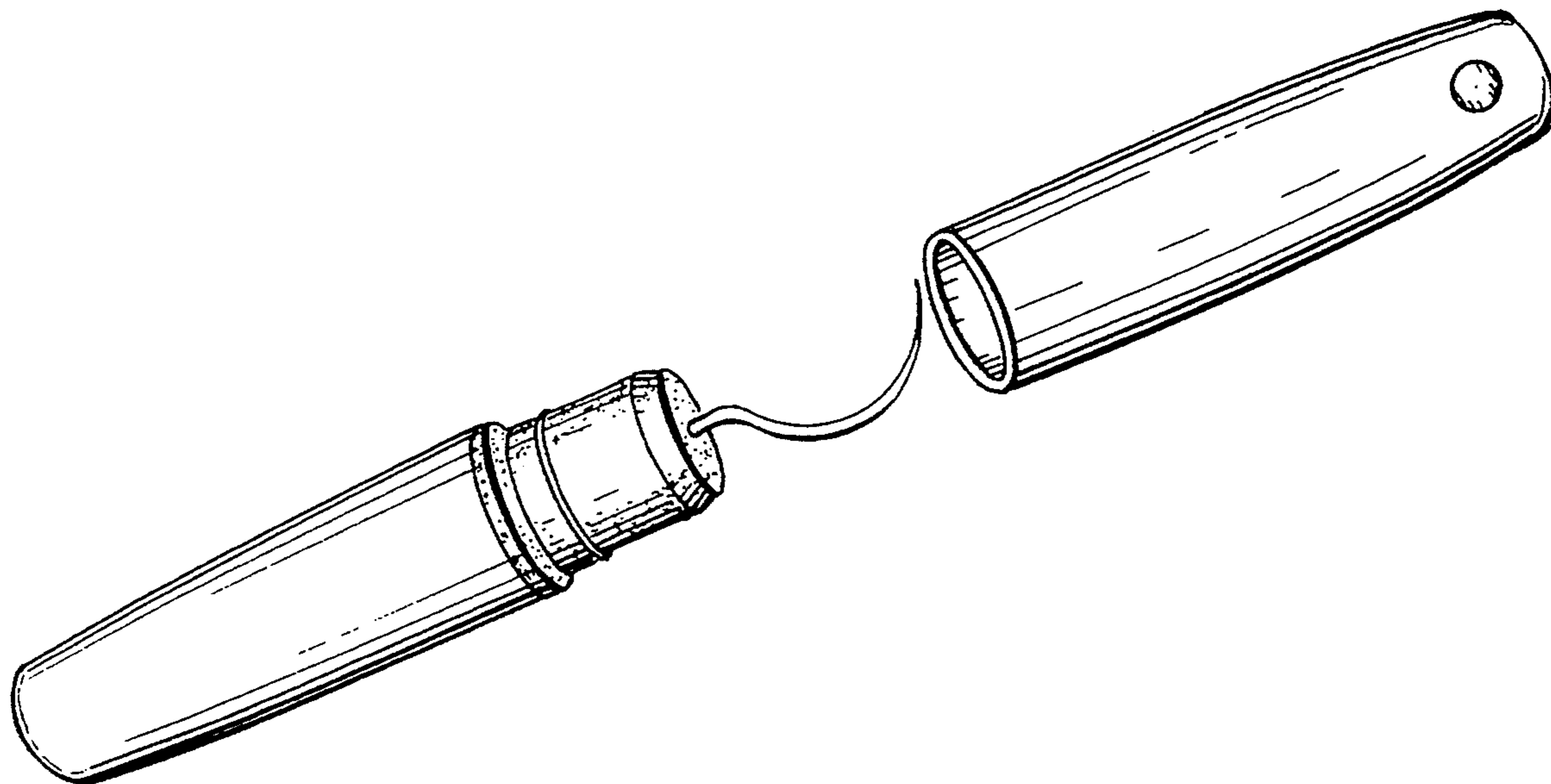


FIG. 1

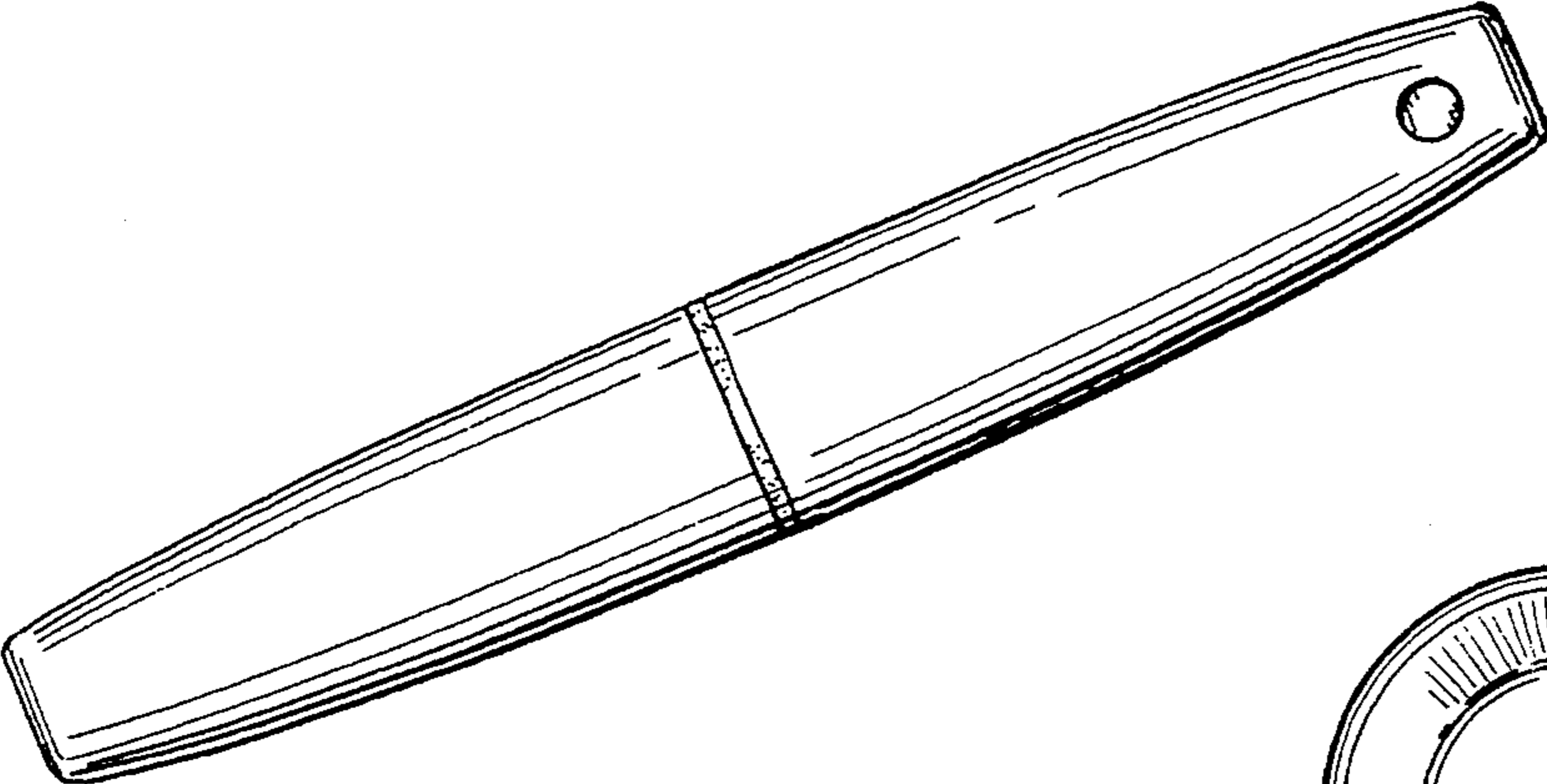


FIG. 3

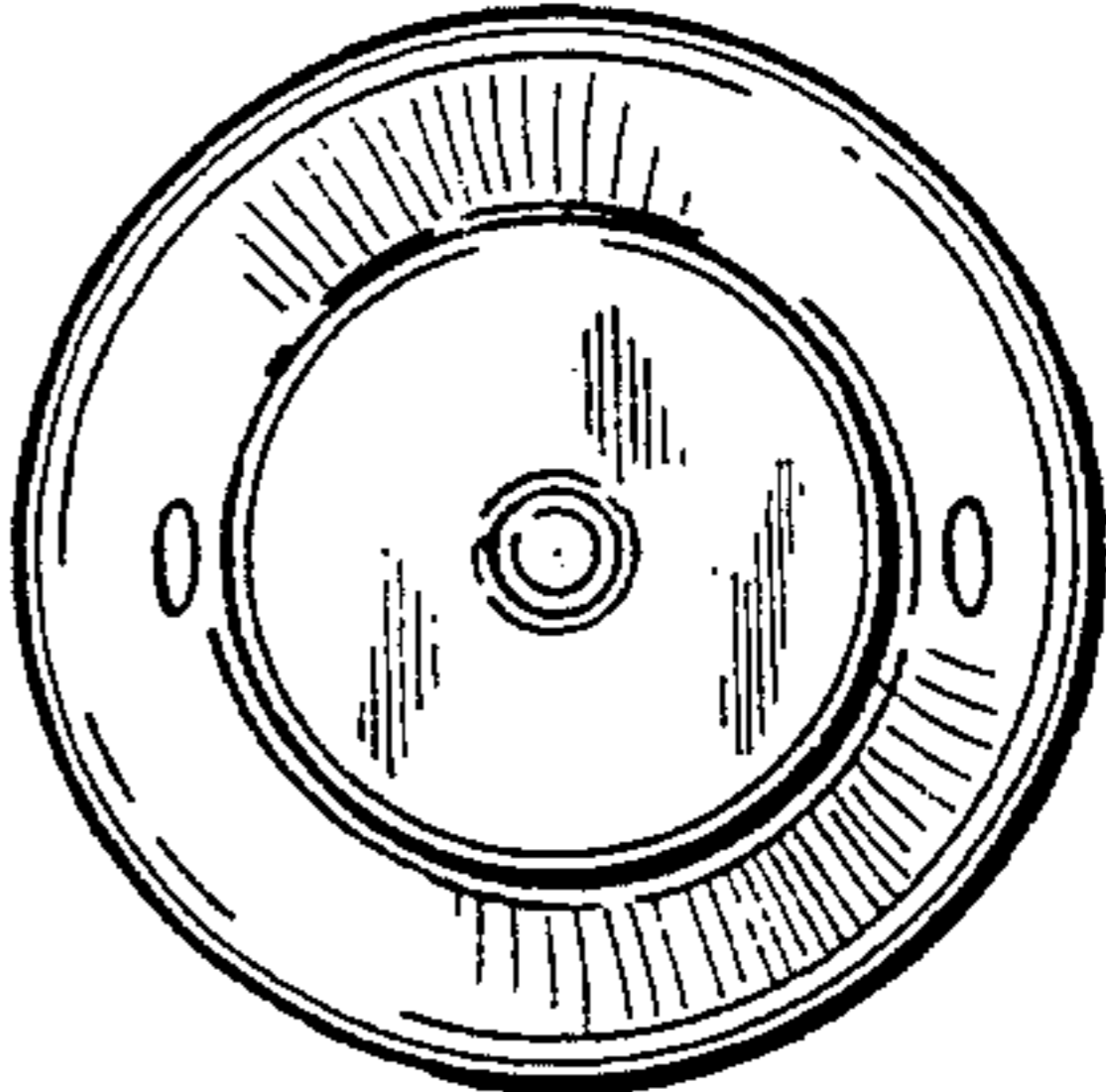


FIG. 2

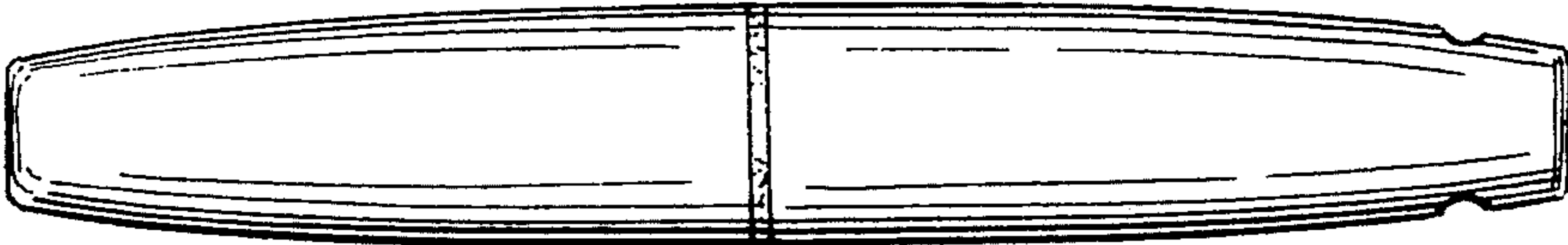


FIG. 5

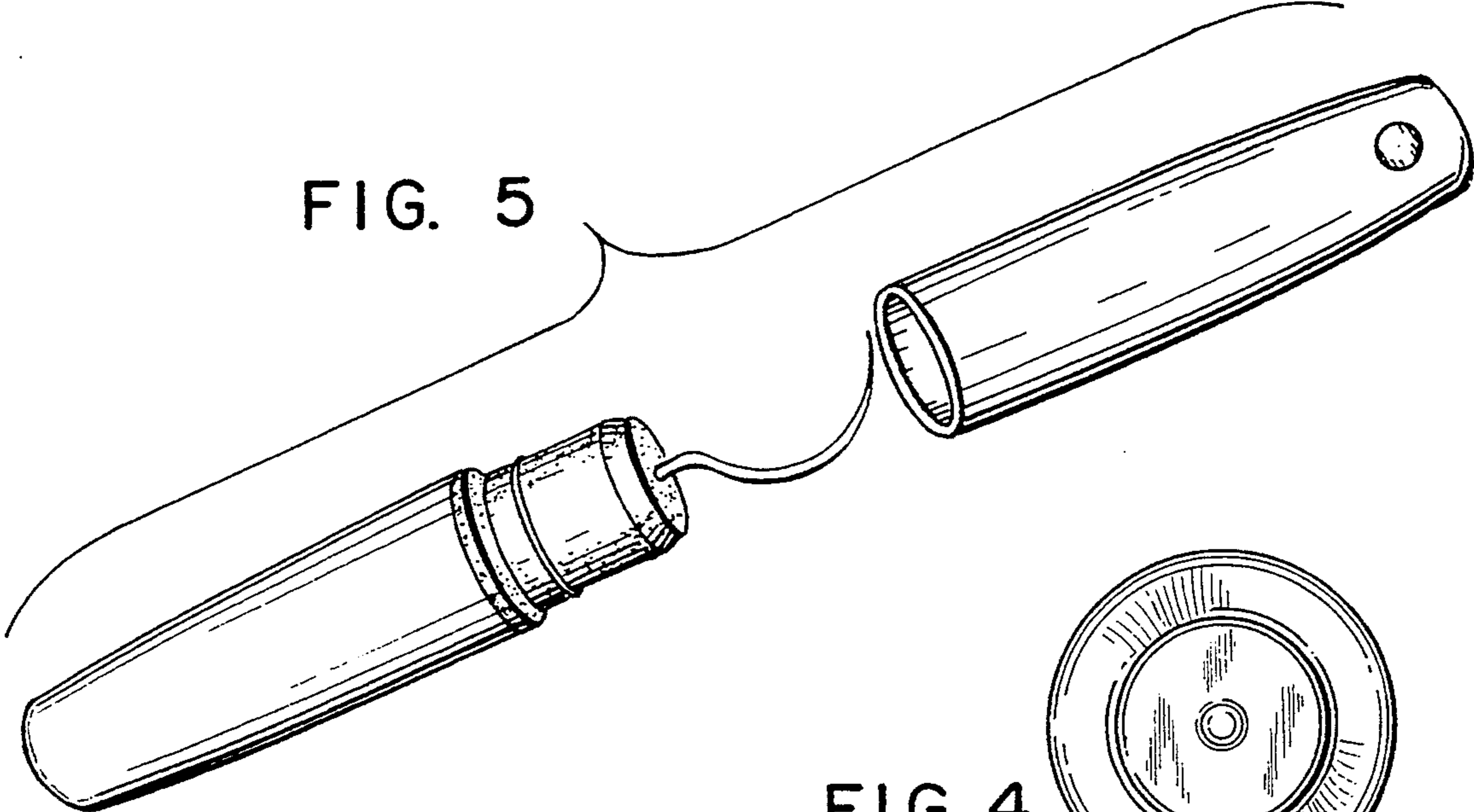


FIG. 4

