



US00D350414S

United States Patent [19]

[11] Patent Number: **Des. 350,414**

Rizzuto, Jr.

[45] Date of Patent: **** Sep. 6, 1994**

[54] **HAIR DRYER**

- [75] Inventor: **Leandro P. Rizzuto, Jr.**, Stamford, Conn.
- [73] Assignee: **Conair Corporation**, Stamford, Conn.
- [**] Term: **14 Years**
- [21] Appl. No.: **893,691**
- [22] Filed: **Jun. 5, 1992**
- [52] U.S. Cl. **D28/13**
- [58] Field of Search 34/96-101;
392/384, 385; D28/13-18

OTHER PUBLICATIONS

"Design" Aug. 1985, p. 68: hair dryers at center and right.
 "Hong Kong Enterprise" Feb. 1990, p. 219: item No. PT-21 at top of page.
 Conair hair dryer brochure, undated: Continental Model 096.

Primary Examiner—Bernard Ansher
Assistant Examiner—C. Tuttle
Attorney, Agent, or Firm—Haynes N. Johnson

[56] **References Cited**

U.S. PATENT DOCUMENTS

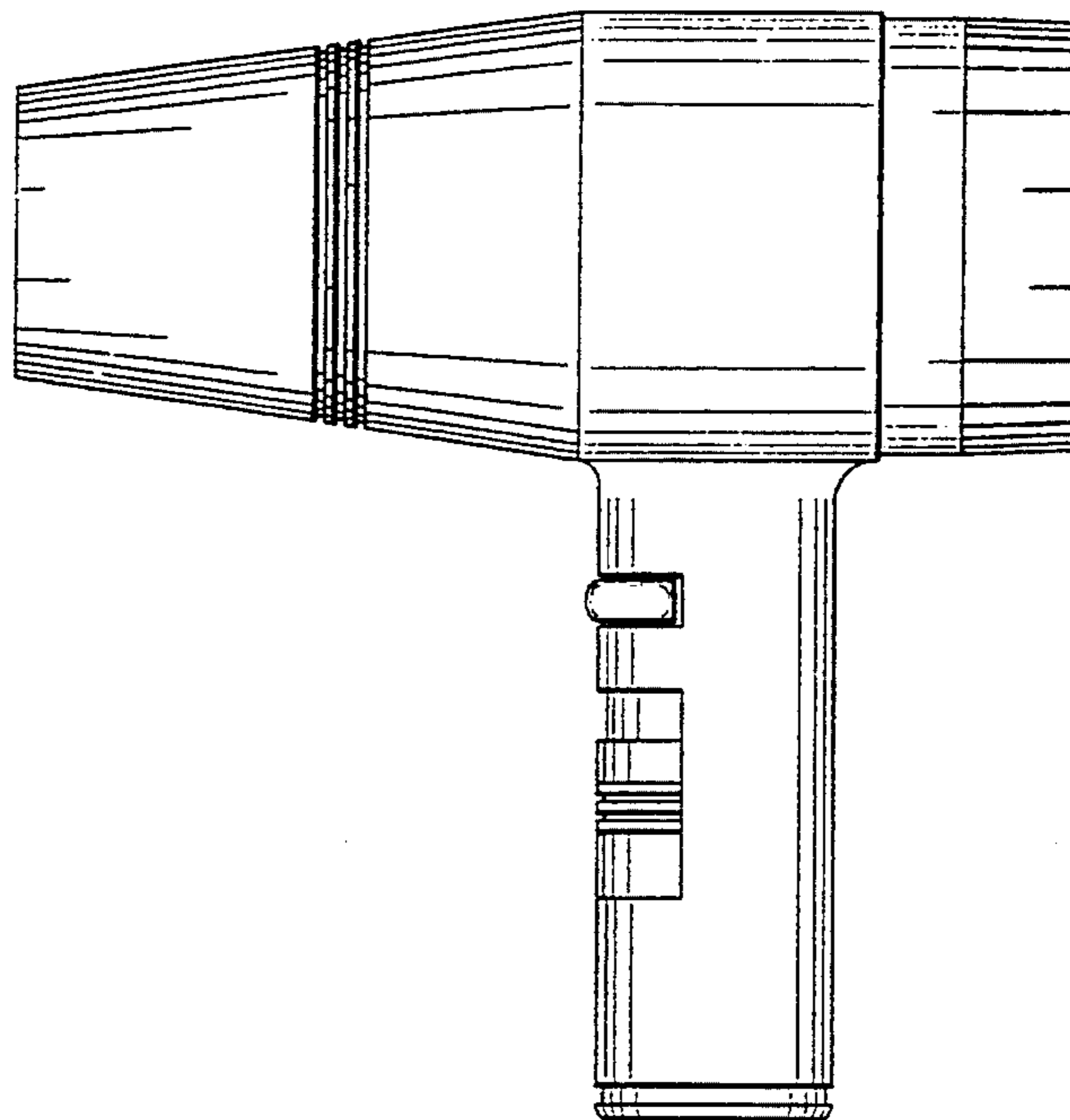
D. 265,136	6/1982	Madl	D28/13
D. 268,369	3/1983	McBrien	D28/13
D. 268,370	3/1983	McBrien	D28/13
D. 277,789	2/1985	Pajak	D28/13
D. 300,064	2/1989	Francis et al.	D28/13
3,978,314	8/1976	Shimizu	392/385
4,602,146	7/1986	Burns et al.	392/384
4,629,864	12/1986	Wilson	392/385
4,918,289	4/1990	Ohlsen et al.	D28/13 X

[57] **CLAIM**

The ornamental design for a hair dryer, as shown and described.

DESCRIPTION

FIG. 1 is a right side elevation of a hair dryer, showing my new design, the left side being a mirror image of the side shown;
 FIG. 2 is a rear elevation thereof;
 FIG. 3 is a top plan view thereof;
 FIG. 4 is a bottom plan view thereof; and,
 FIG. 5 is a front elevation thereof .



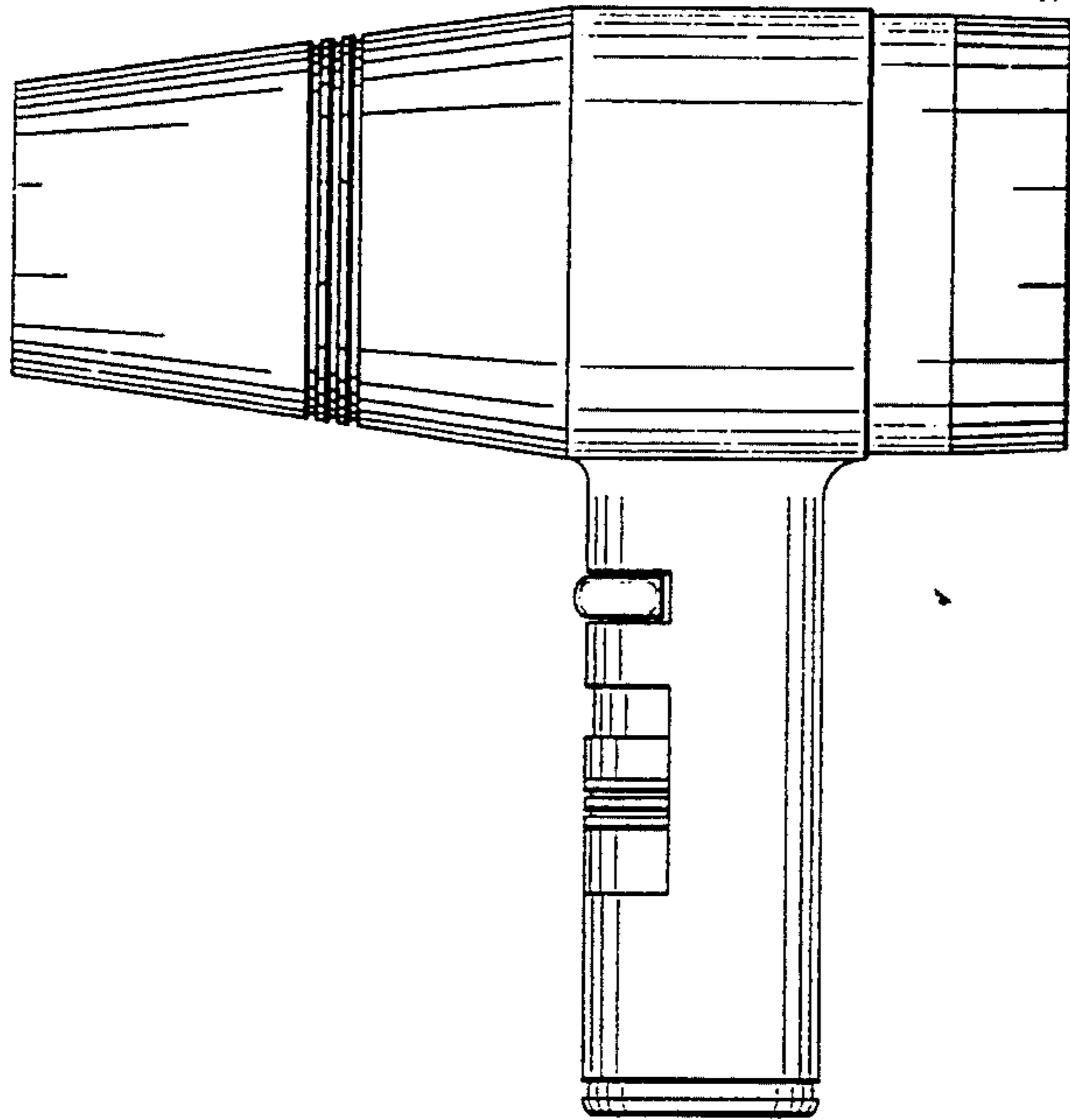


FIG. 1

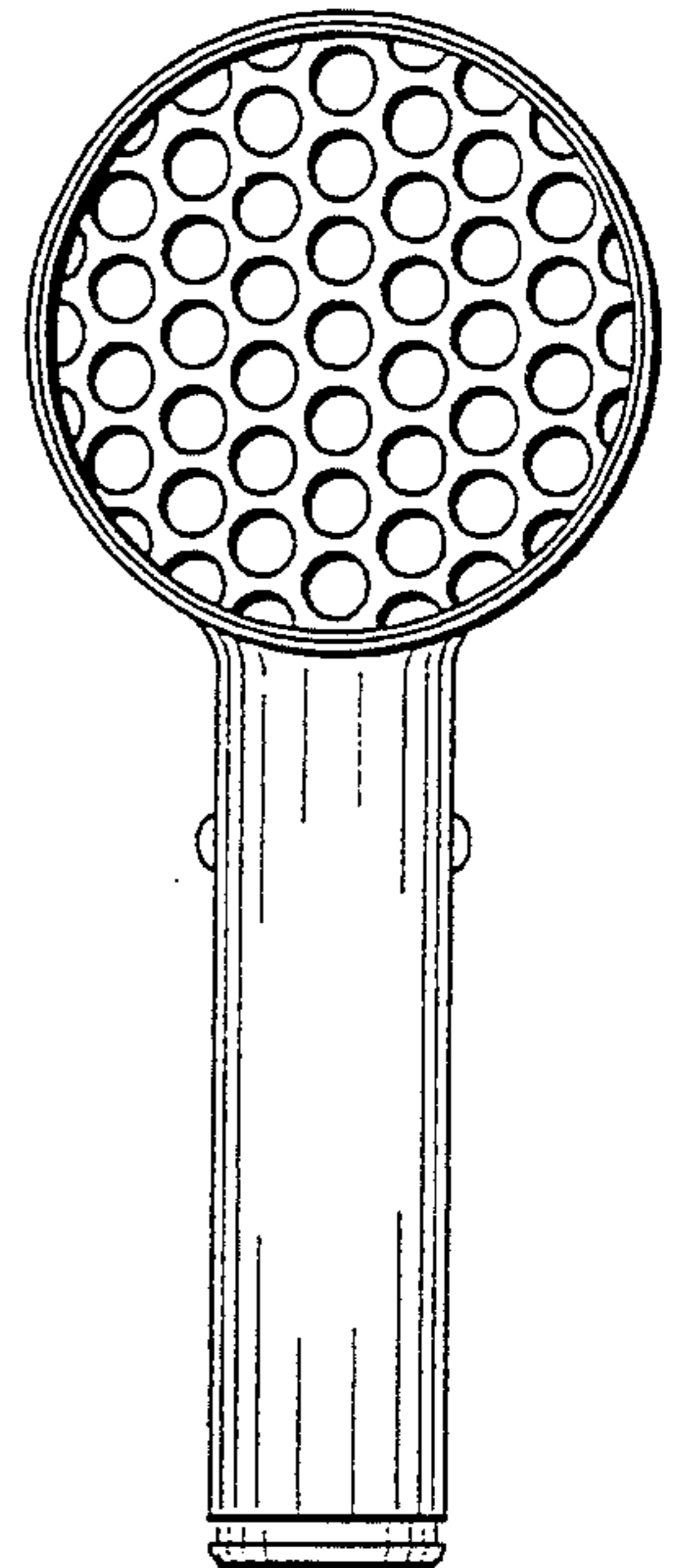


FIG. 2

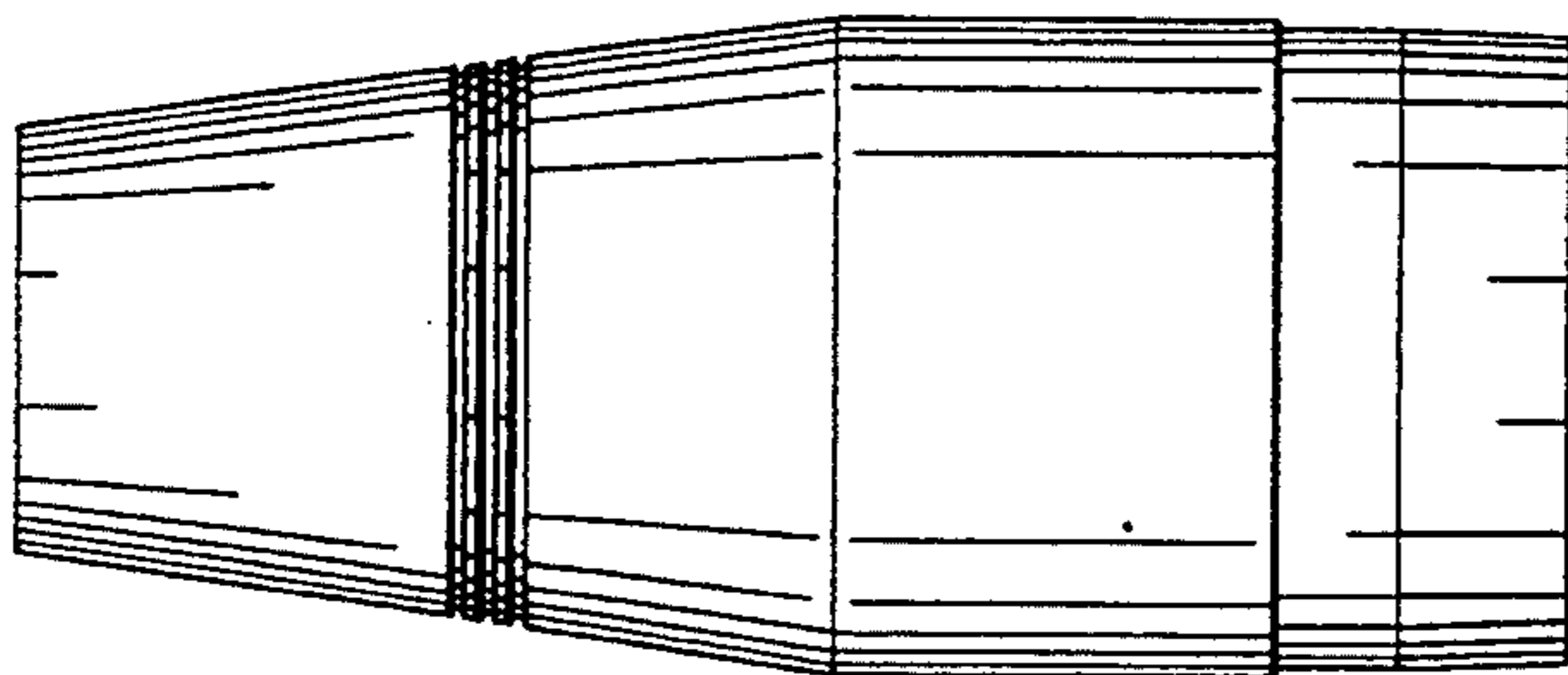


FIG. 3

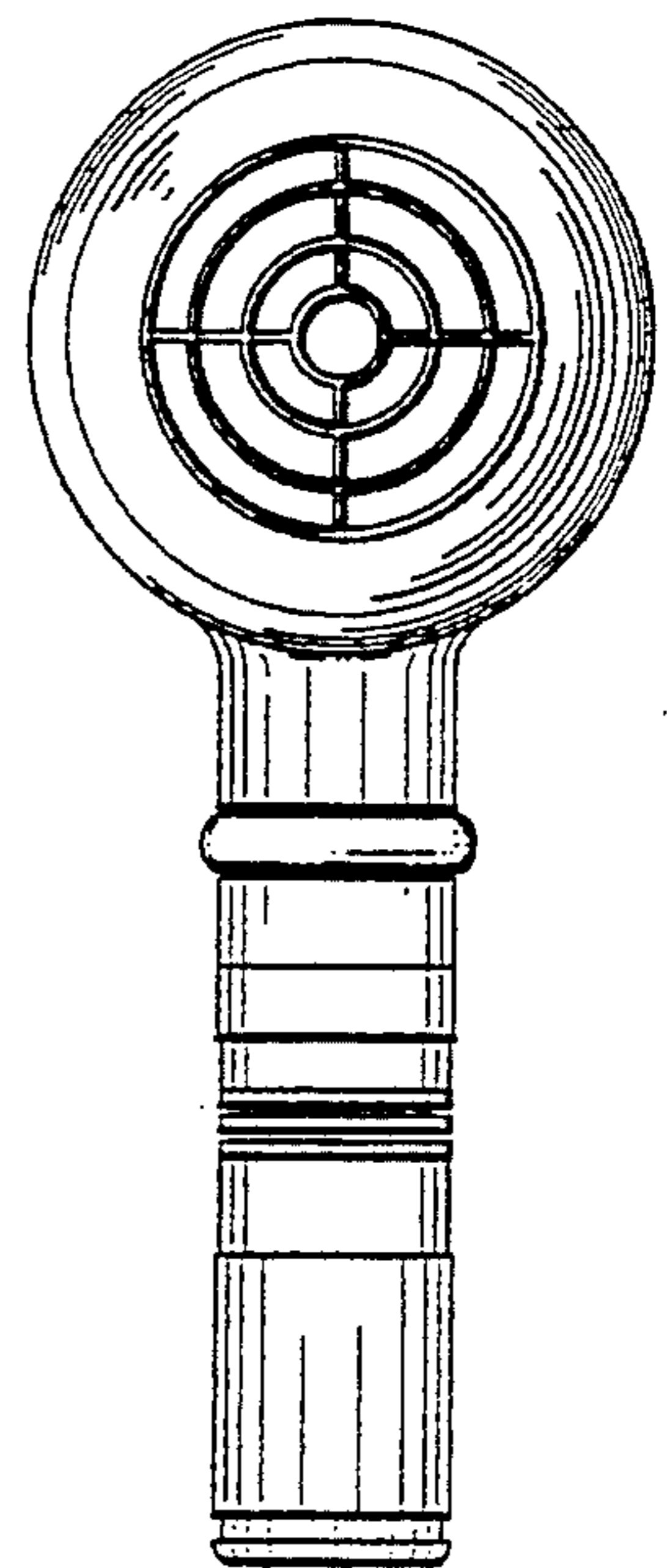


FIG. 5

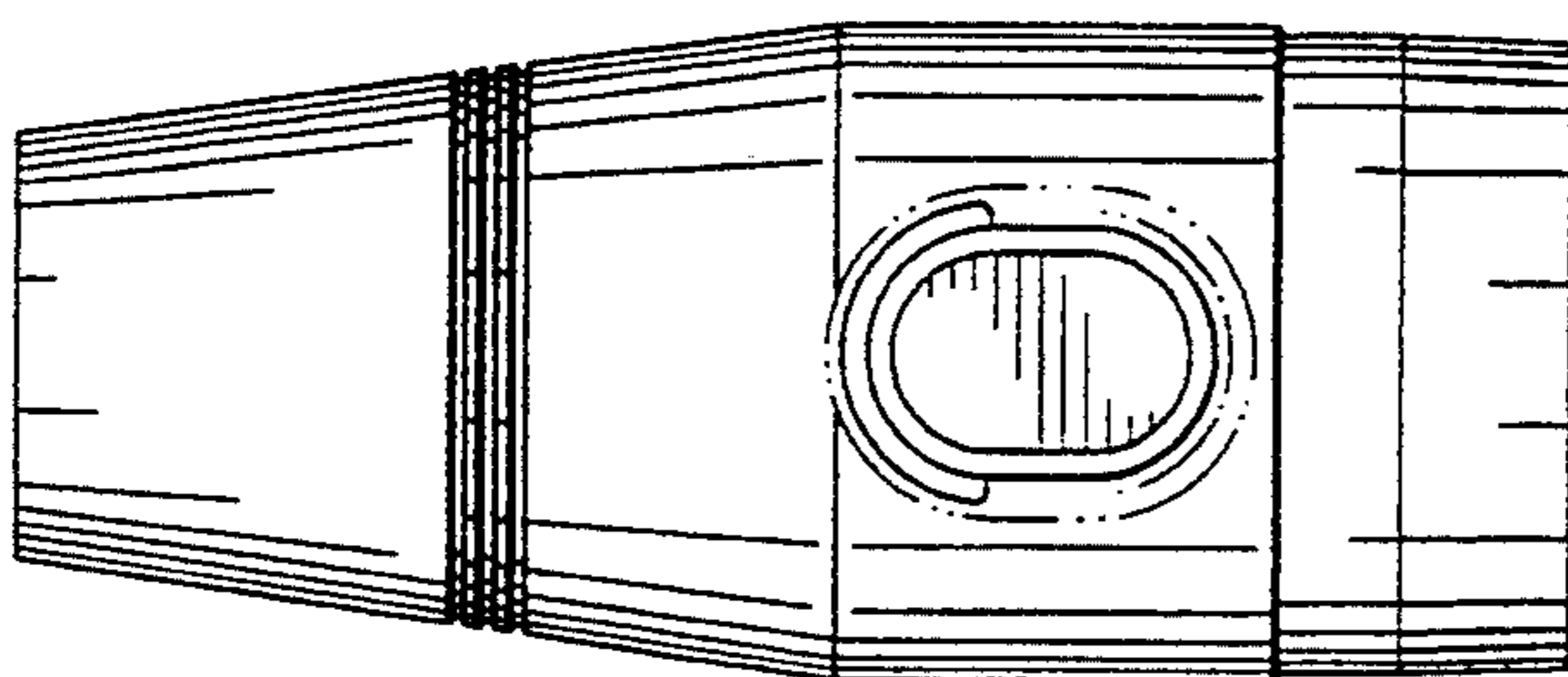


FIG. 4