



US00D350411S

United States Patent [19]
Heine

[11] **Patent Number: Des. 350,411**
[45] **Date of Patent: ** Sep. 6, 1994**

[54] **TOBACCO HOOKAH**
[75] **Inventor: Randolph A. Heine, Pinellas Park, Fla.**
[73] **Assignee: New Tradition Pipe Company, Pinellas Park, Fla.**
[**] **Term: 14 Years**
[21] **Appl. No.: 16,489**
[22] **Filed: Dec. 16, 1993**
[52] **U.S. Cl. D27/162**
[58] **Field of Search 131/173, 192; D27/162**

4,201,230 5/1980 Howell, Jr. 131/173
4,357,948 11/1982 Schweitzer 131/173

Primary Examiner—Wallace R. Burke
Assistant Examiner—H. Baynham
Attorney, Agent, or Firm—James E. Larson

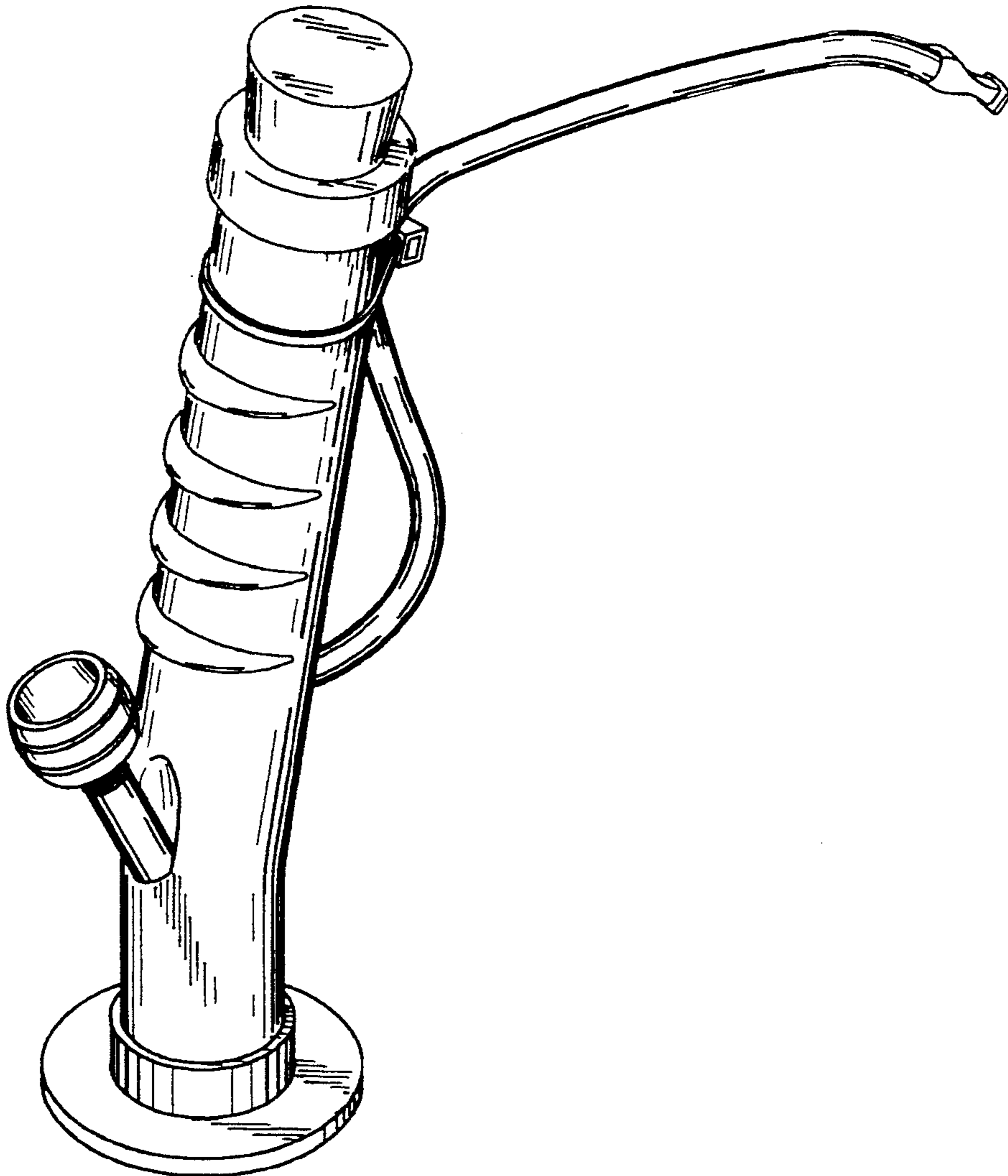
[57] **CLAIM**

The ornamental design for a tobacco hookah, as shown and described.

DESCRIPTION

FIG. 1 is a perspective view of a tobacco hookah showing my new design;
FIG. 2 is a front elevational view thereof;
FIG. 3 is a left side elevational view thereof;
FIG. 4 is a right side elevational view thereof;
FIG. 5 is a rear elevational view thereof;
FIG. 6 is a top plan view thereof; and,
FIG. 7 is a bottom plan view thereof.

[56] **References Cited**
U.S. PATENT DOCUMENTS
D. 244,473 5/1977 Karl D27/162
4,031,905 6/1977 Dunn 131/173



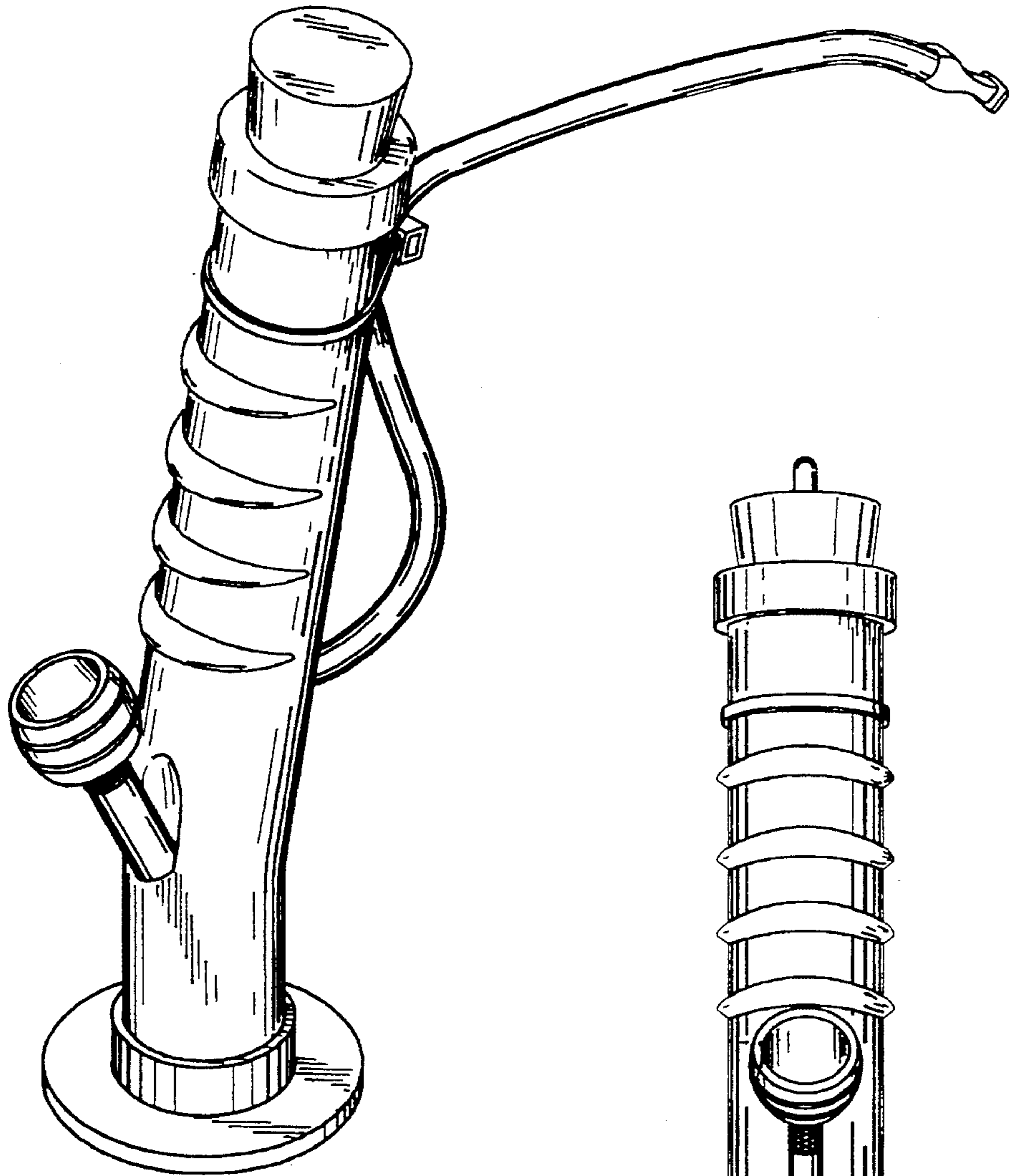


Fig. 1

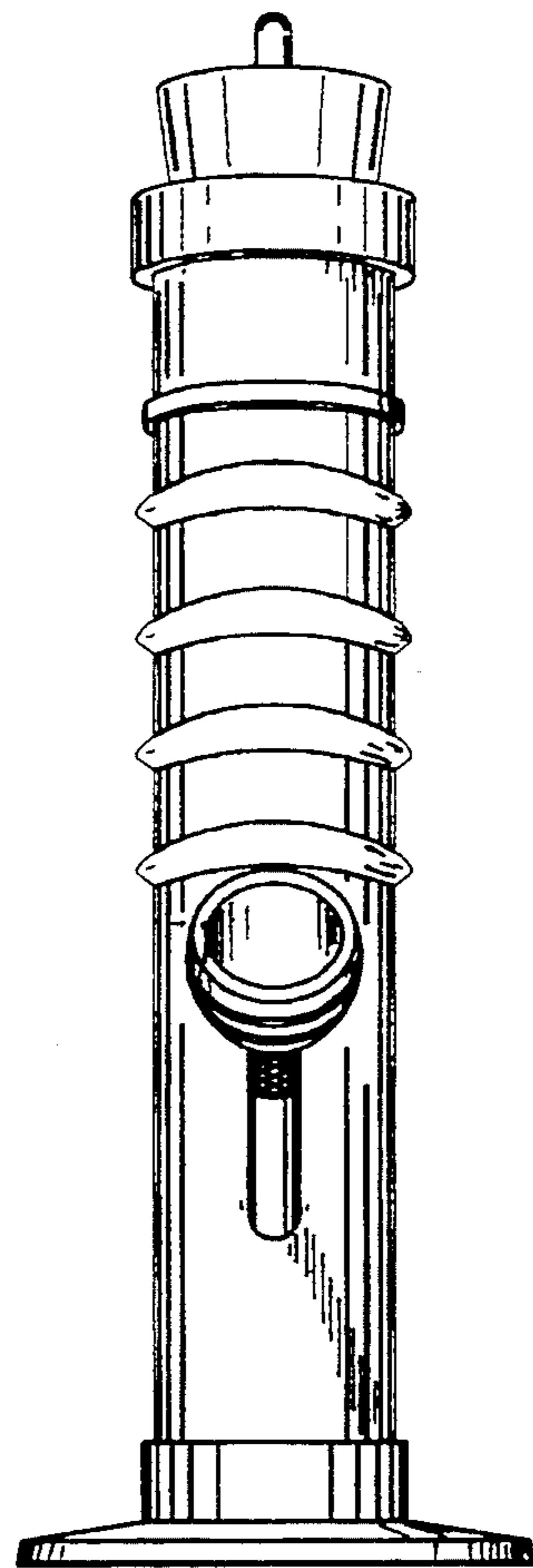


Fig. 2

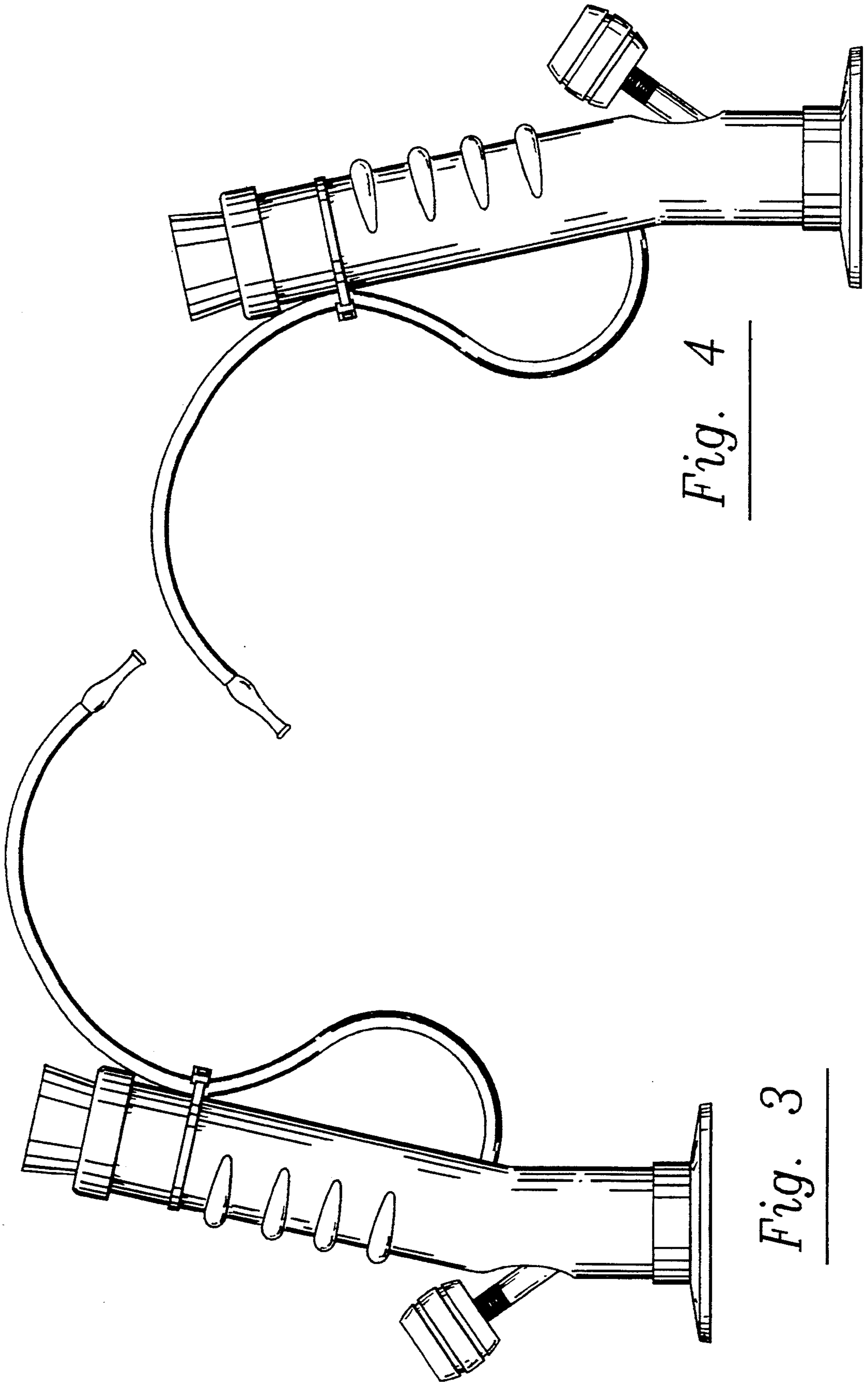


Fig. 4

Fig. 3

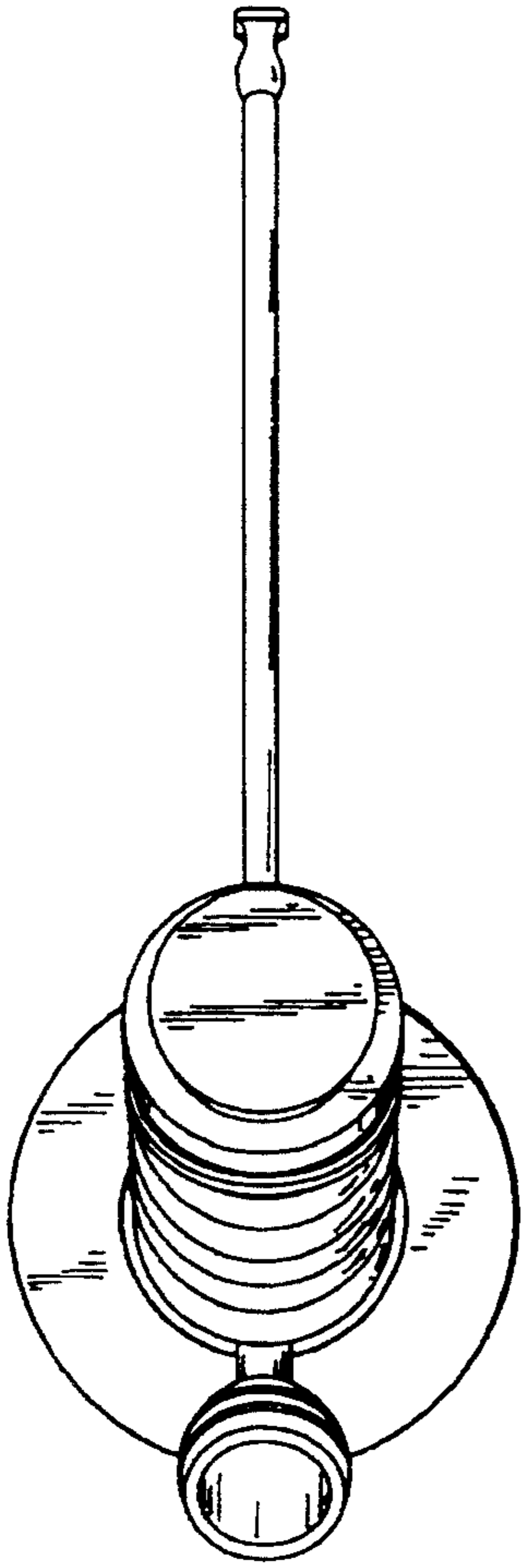


Fig. 6

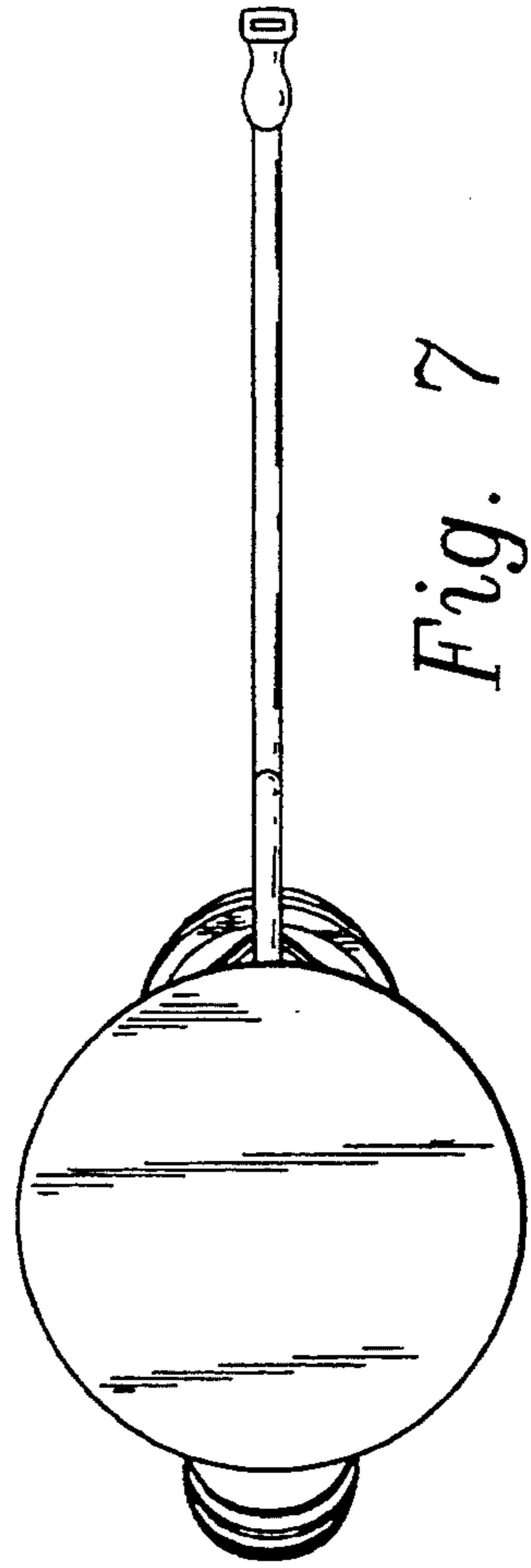


Fig. 7

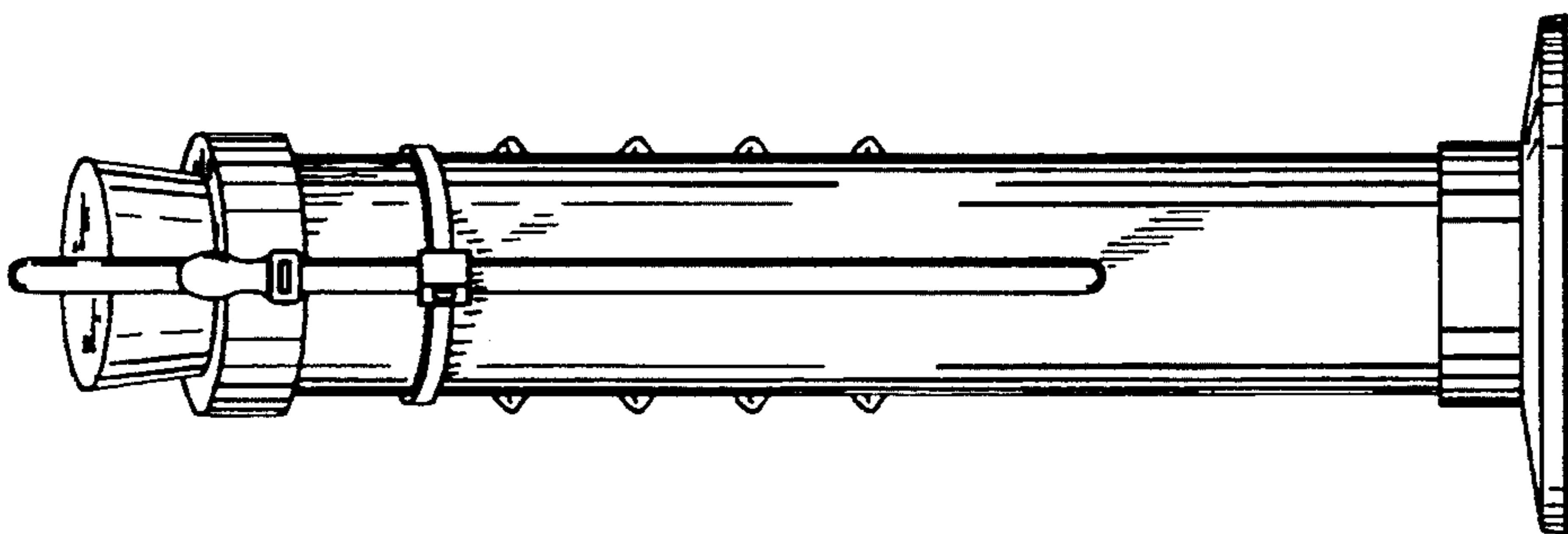


Fig. 5