



US00D350408S

United States Patent [19]

[11] Patent Number: **Des. 350,408**

Leigh et al.

[45] Date of Patent: **** Sep. 6, 1994**

[54] EXTERIOR ARCHITECTURAL LUMINAIRE

[75] Inventors: **J. Edward Leigh, Plano; David M. Planka, Dallas, both of Tex.**

[73] Assignee: **Vari-Lite, Inc., Dallas, Tex.**

[**] Term: **14 Years**

[21] Appl. No.: **13,843**

[22] Filed: **Oct. 4, 1993**

[52] U.S. Cl. **D26/68; D26/63**

[58] Field of Search **362/431, 410, 413, 414, 362/427, 153, 153 T; D26/67-71, 63, 107, 24**

[56] References Cited

U.S. PATENT DOCUMENTS

- D. 209,416 11/1967 Smith D26/68
- D. 315,803 3/1991 Lin D26/63
- 5,086,379 2/1992 Denison et al. 362/431 X

OTHER PUBLICATIONS

Domus, Jan. 1977, p. 22, Exterior Lamp. Elliptipar ® catalog page 1991, Low Path Light.

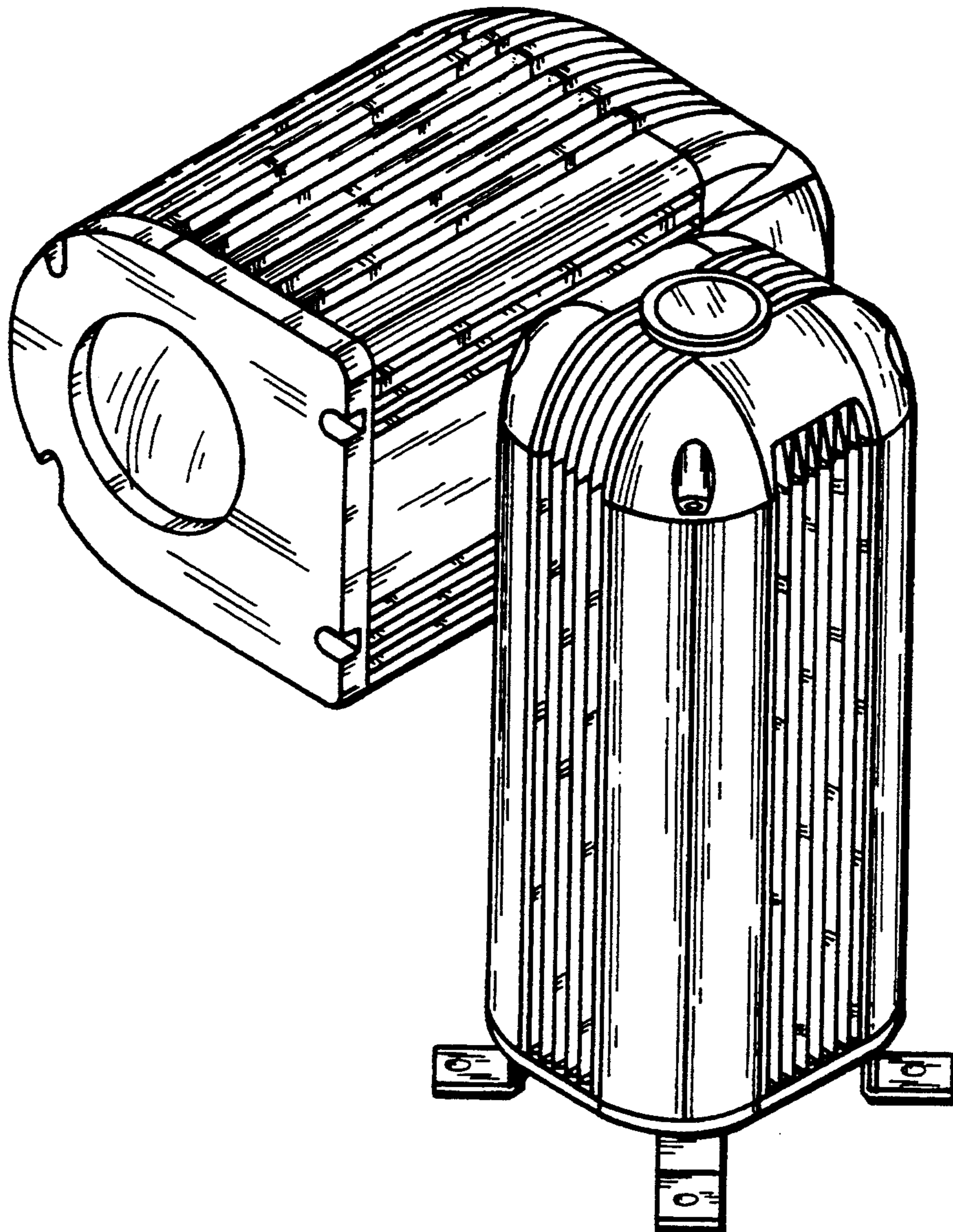
Primary Examiner—Susan J. Lucas

[57] CLAIM

The ornamental design for an exterior architectural luminaire, as shown.

DESCRIPTION

FIG. 1 is a perspective view of the luminaire of the present invention;
 FIG. 2 is a front view thereof;
 FIG. 3 is a first side view thereof;
 FIG. 4 is a rear view thereof;
 FIG. 5 is a second side view thereof;
 FIG. 6 is a top view thereof; and,
 FIG. 7 is a bottom view thereof.



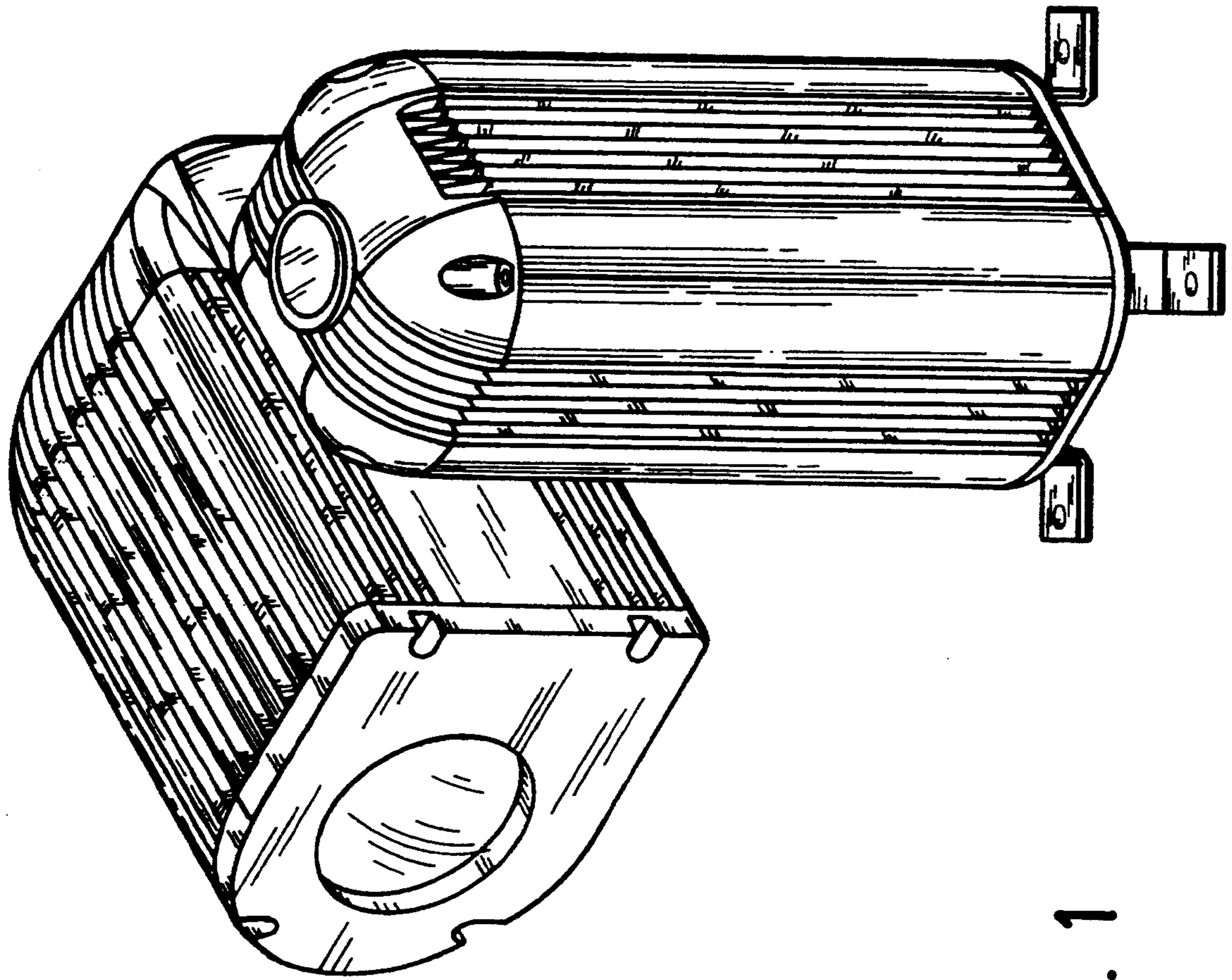


FIG. 1

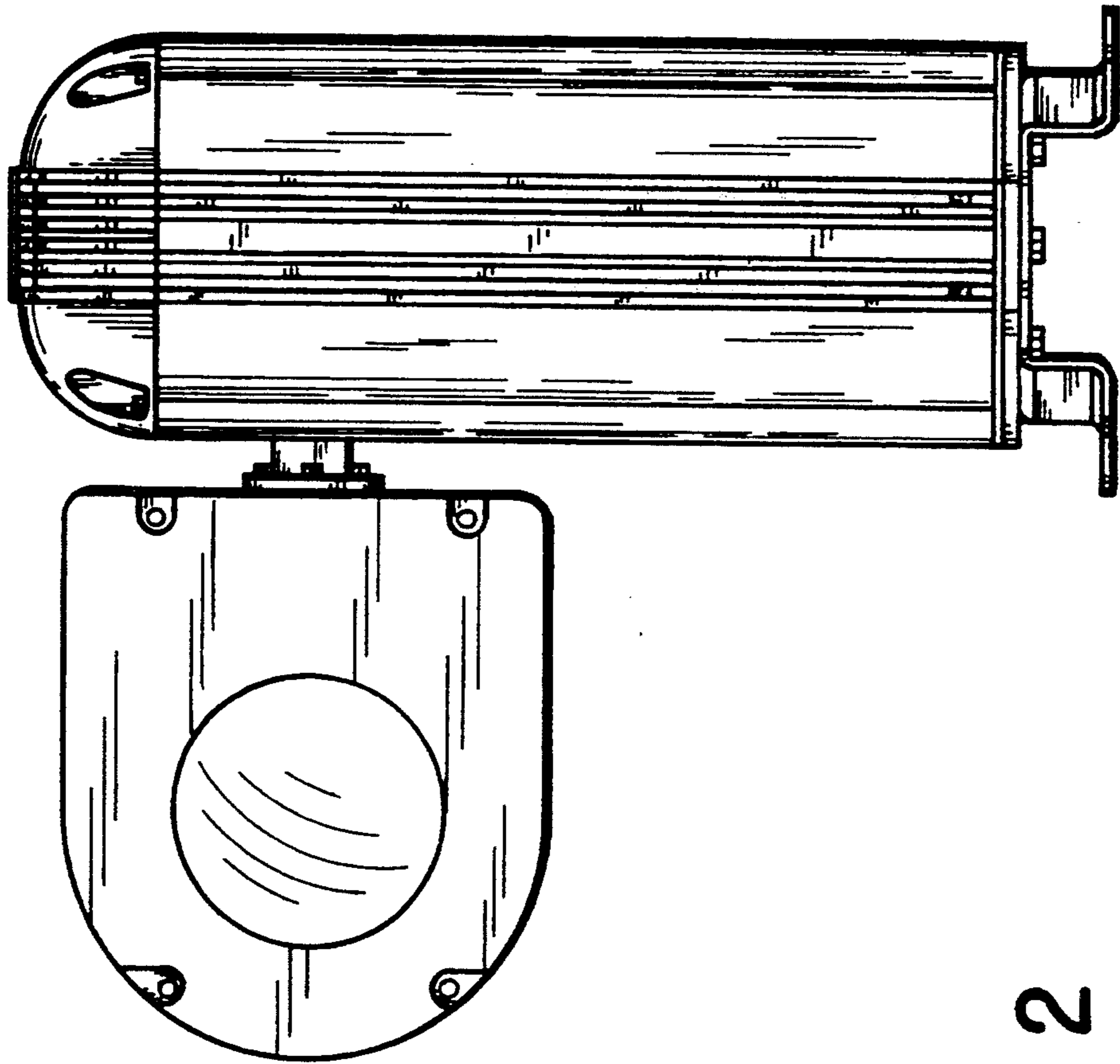


FIG. 2

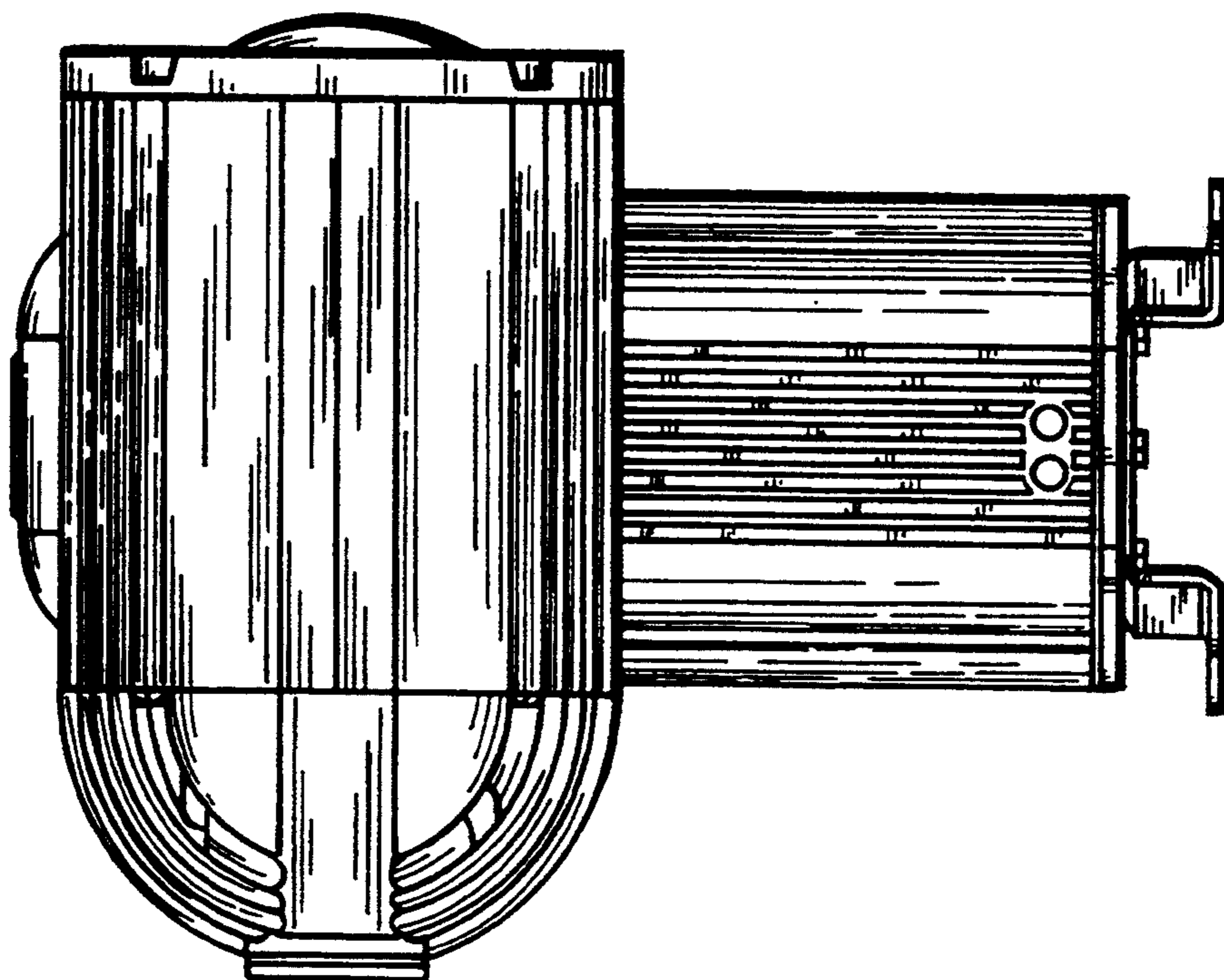


FIG. 3

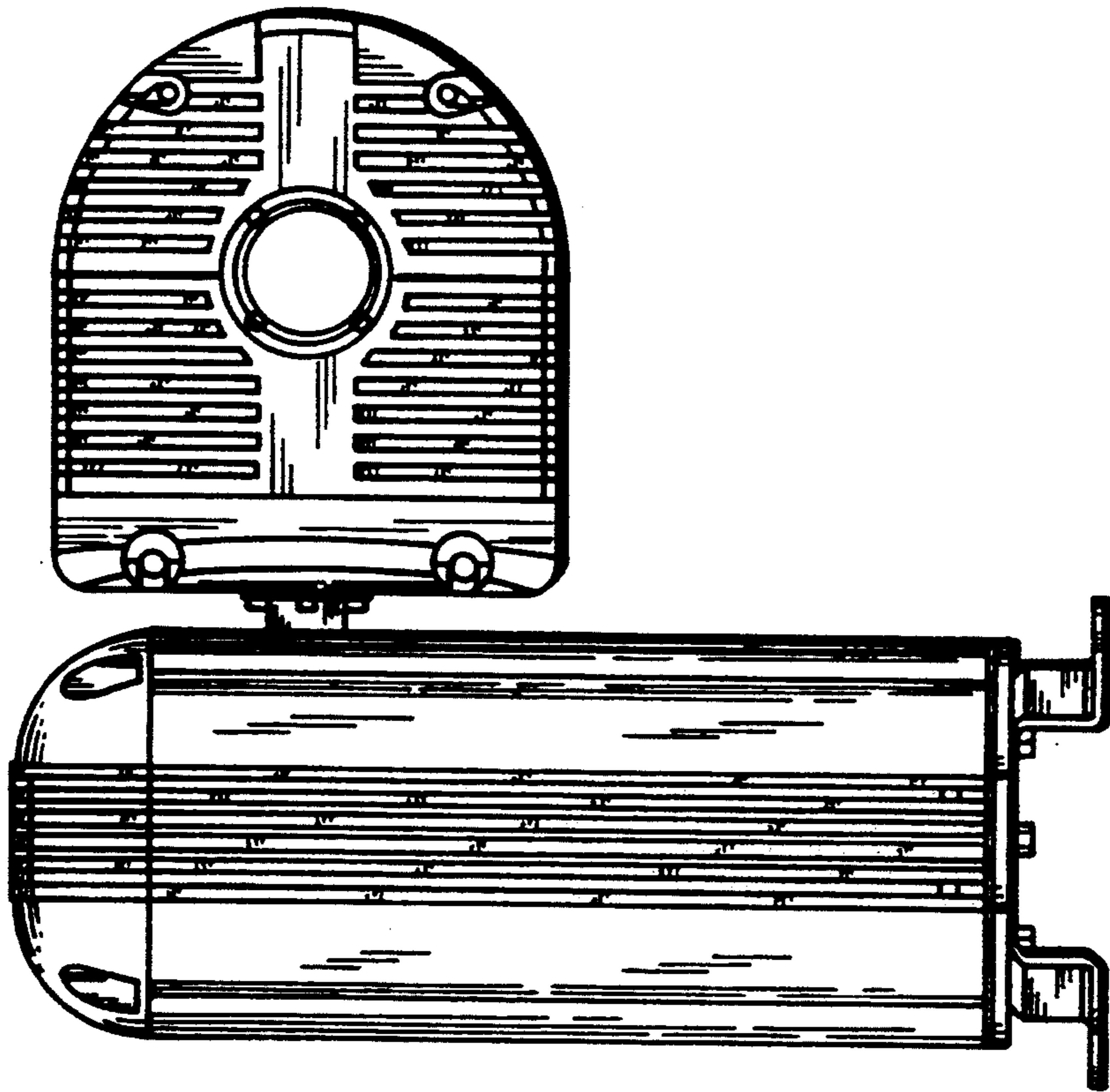


FIG. 4

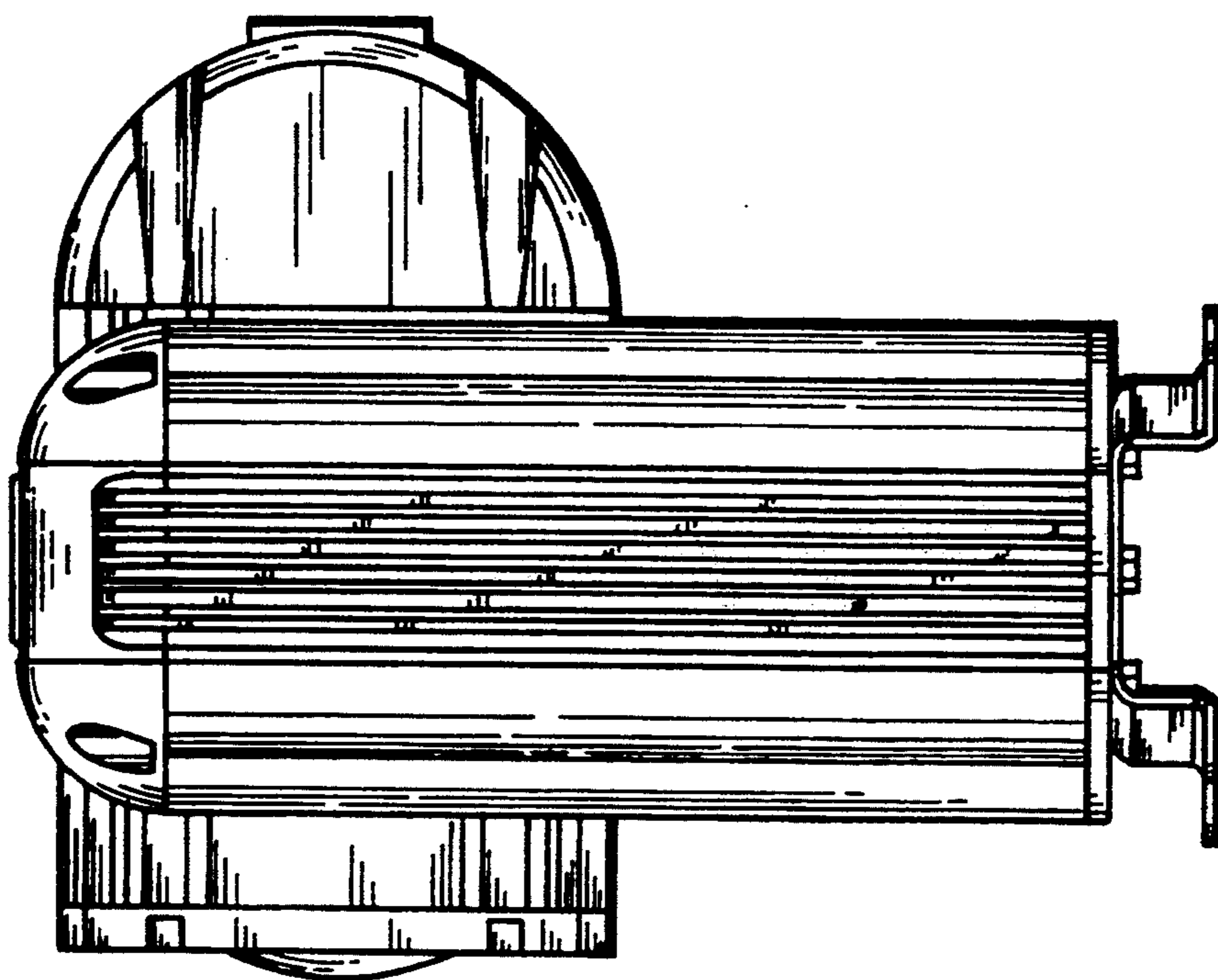


FIG. 5

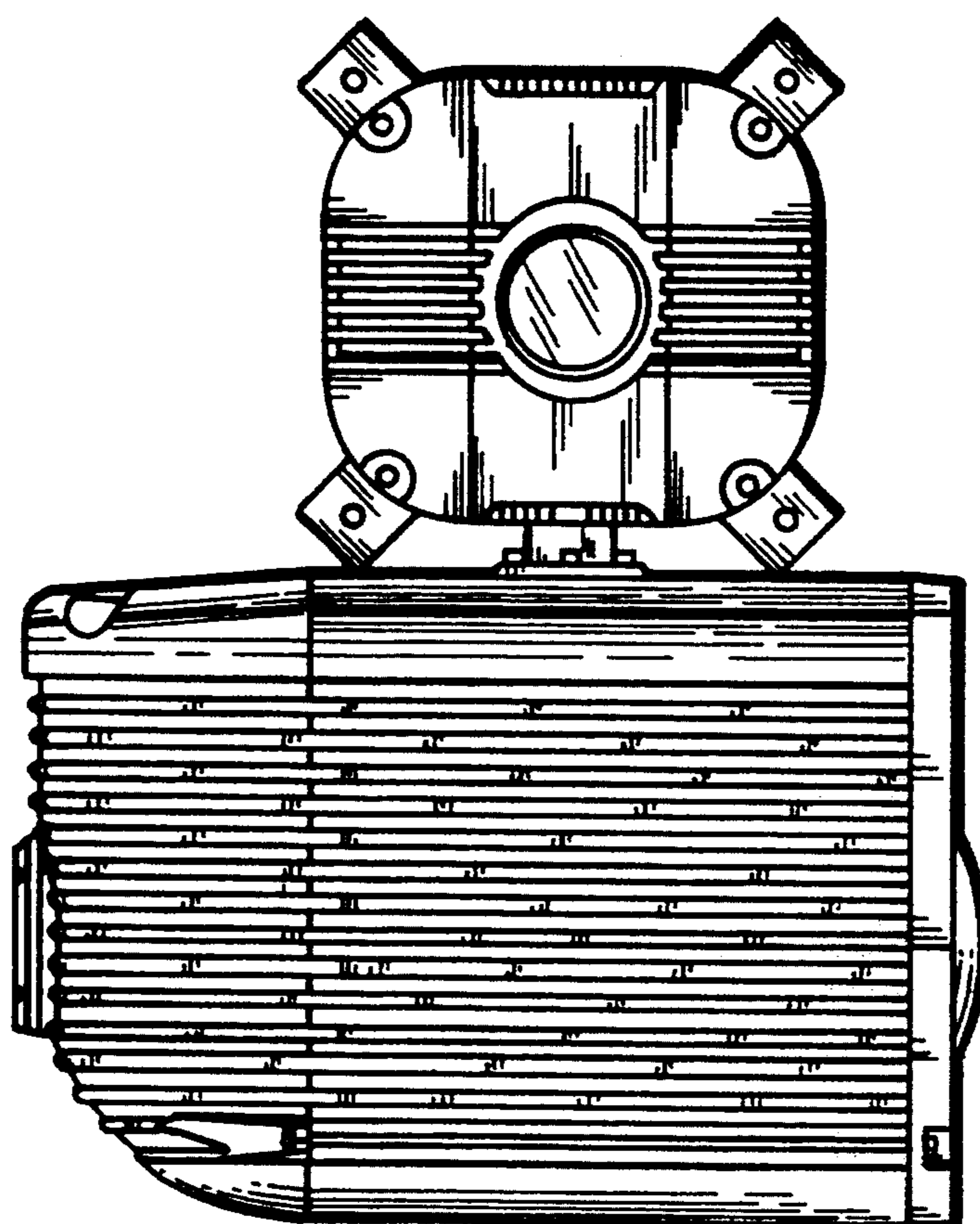


FIG. 6

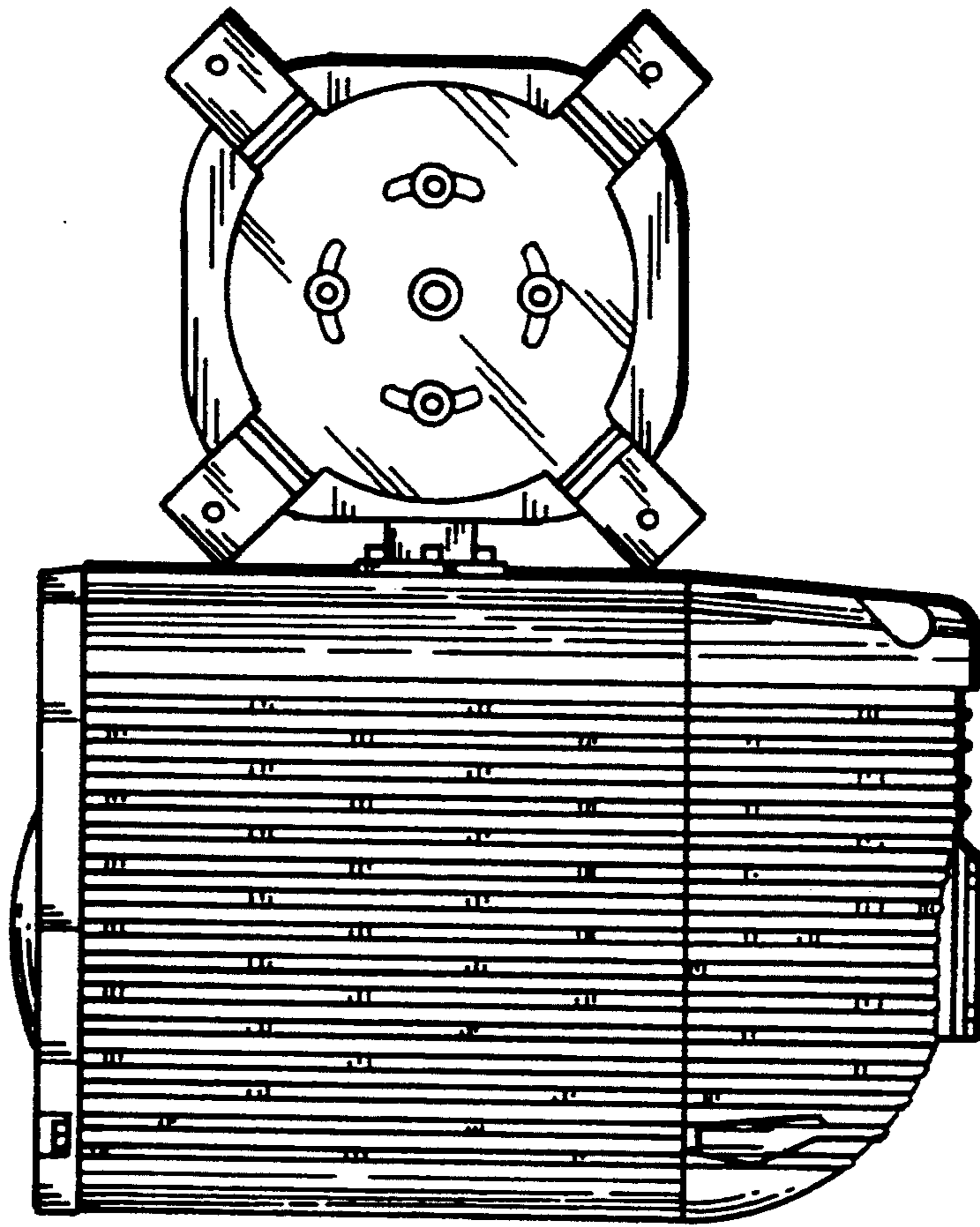


FIG. 7