



US00D350406S

United States Patent [19]

[11] Patent Number: **Des. 350,406**

Gereau

[45] Date of Patent: **** Sep. 6, 1994**

- [54] **COMBINED CANDLE AND CANDLEHOLDER THEREFOR**
- [75] Inventor: **Clarence L. Gereau, Oshkosh, Wis.**
- [73] Assignee: **Blended Waxes, Inc., Oshkosh, Wis.**
- [**] Term: **14 Years**
- [21] Appl. No.: **16,303**
- [22] Filed: **Dec. 13, 1993**
- [52] U.S. Cl. **D26/9; D26/6**
- [58] Field of Search **362/161, 162, 163; 431/288-293, 310, 311, 320, 126; D26/9, 6, 7, 10, 11, 16, 20, 22, 23, 110, 118, 119, 128**

Primary Examiner—Wallace R. Burke
Assistant Examiner—Robin V. Taylor
Attorney, Agent, or Firm—Godfrey & Kahn

[57] **CLAIM**

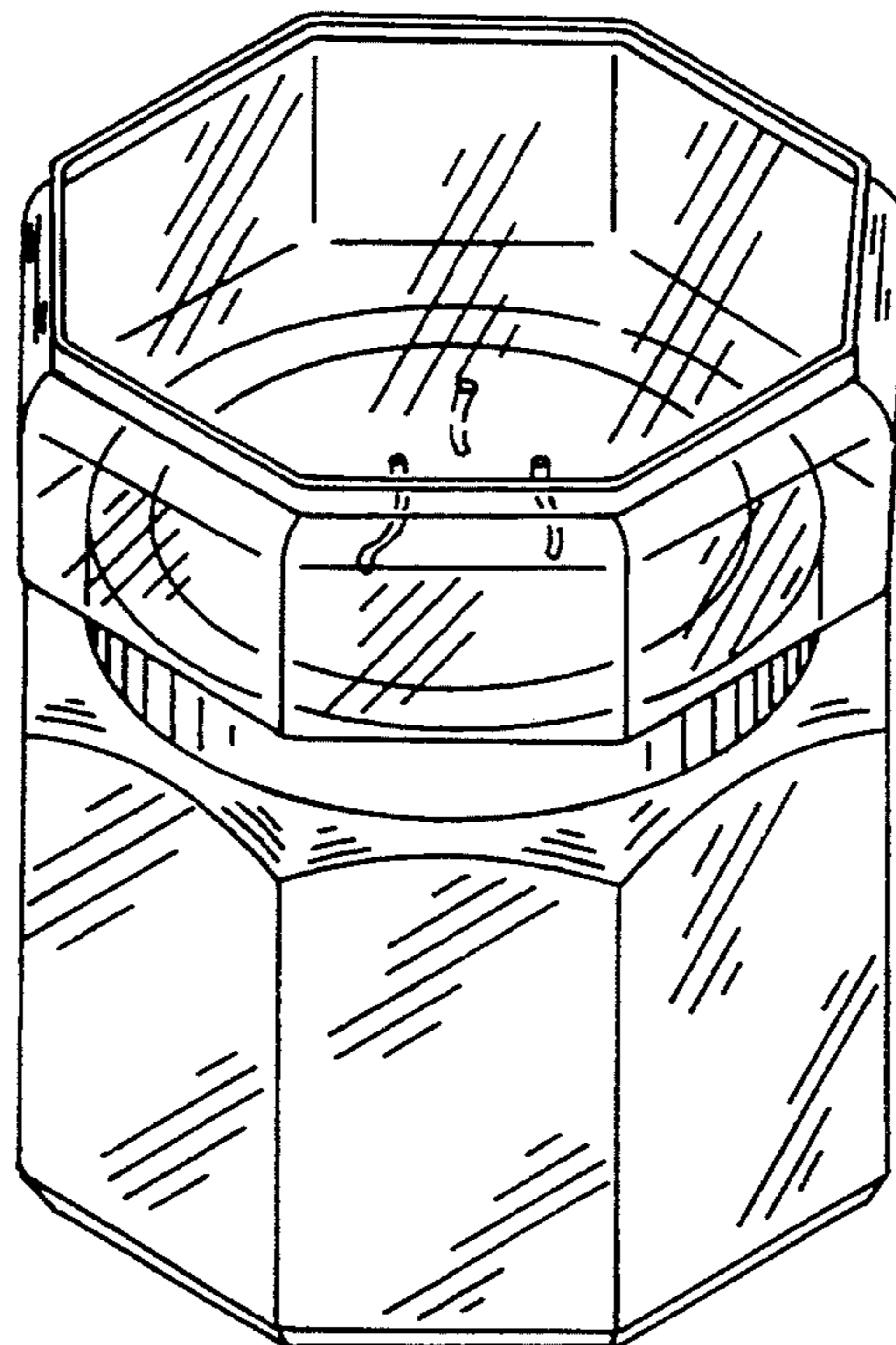
The ornamental design of a combined candle and candleholder therefor, as shown and described.

DESCRIPTION

FIG. 1 is a perspective view of the combined candle and candleholder therefor showing my new design;
 FIG. 2 is a top plan view therefor;
 FIG. 3 is a bottom plan view therefor;
 FIG. 4 is a side elevation view therefor;
 FIG. 5 is a side elevation view therefor and which is taken from a position opposite to that which is shown in FIG. 4;
 FIG. 6 is a side elevation view therefor and which is taken from a position approximately at a right angle relative to that which is shown in FIG. 5; and,
 FIG. 7 is a side elevation view therefor and which is taken from a position opposite to that shown in FIG. 6.

[56] **References Cited**
U.S. PATENT DOCUMENTS

D. 80,187	12/1929	Rithner	D26/11
D. 231,629	5/1974	Schultz	D26/11
D. 269,638	7/1983	Frye et al.	D26/9
D. 336,526	6/1993	Marienberg	D26/11
2,315,803	4/1943	Lipari	362/161



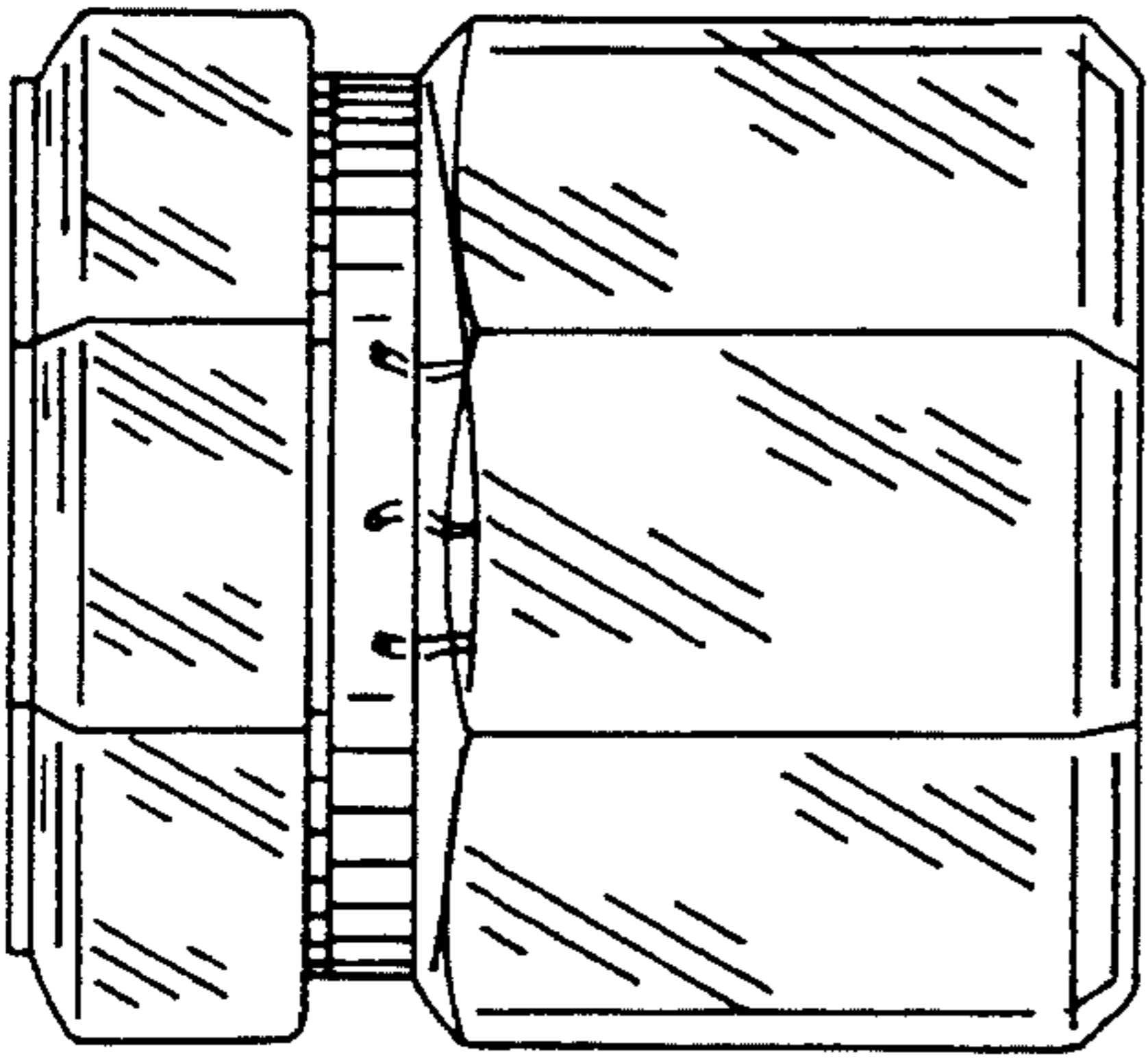


FIG. 5

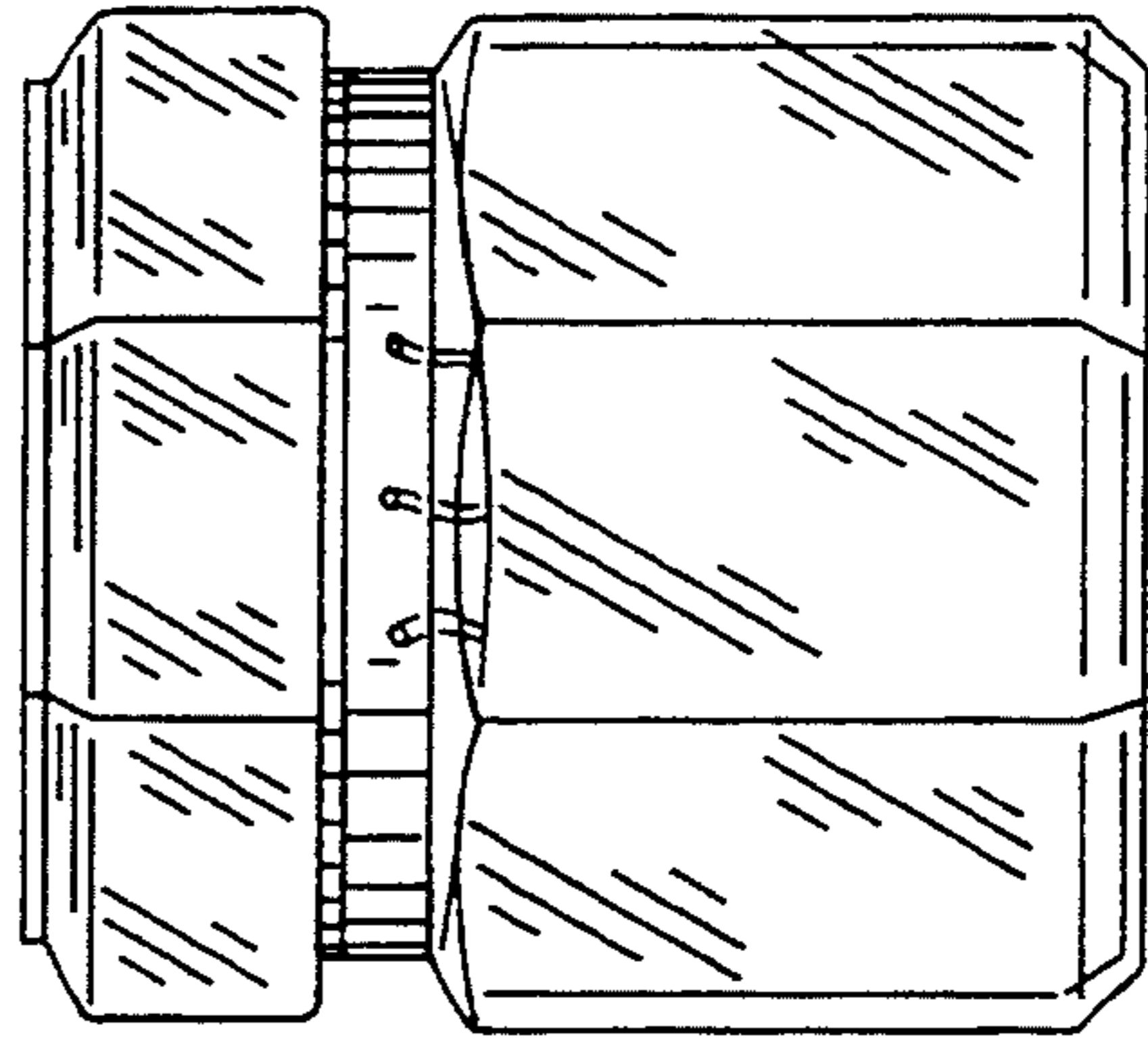


FIG. 7

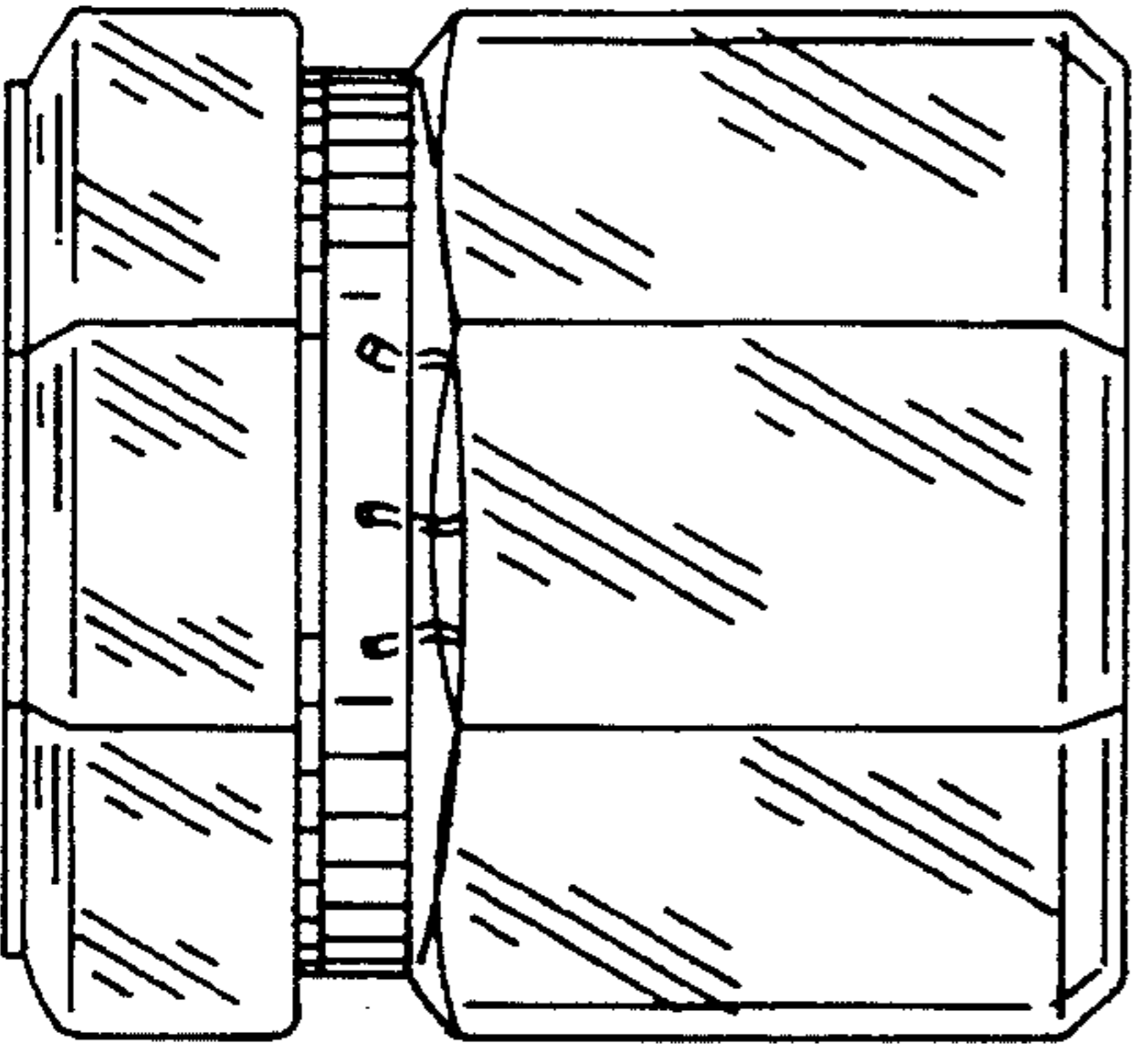


FIG. 4

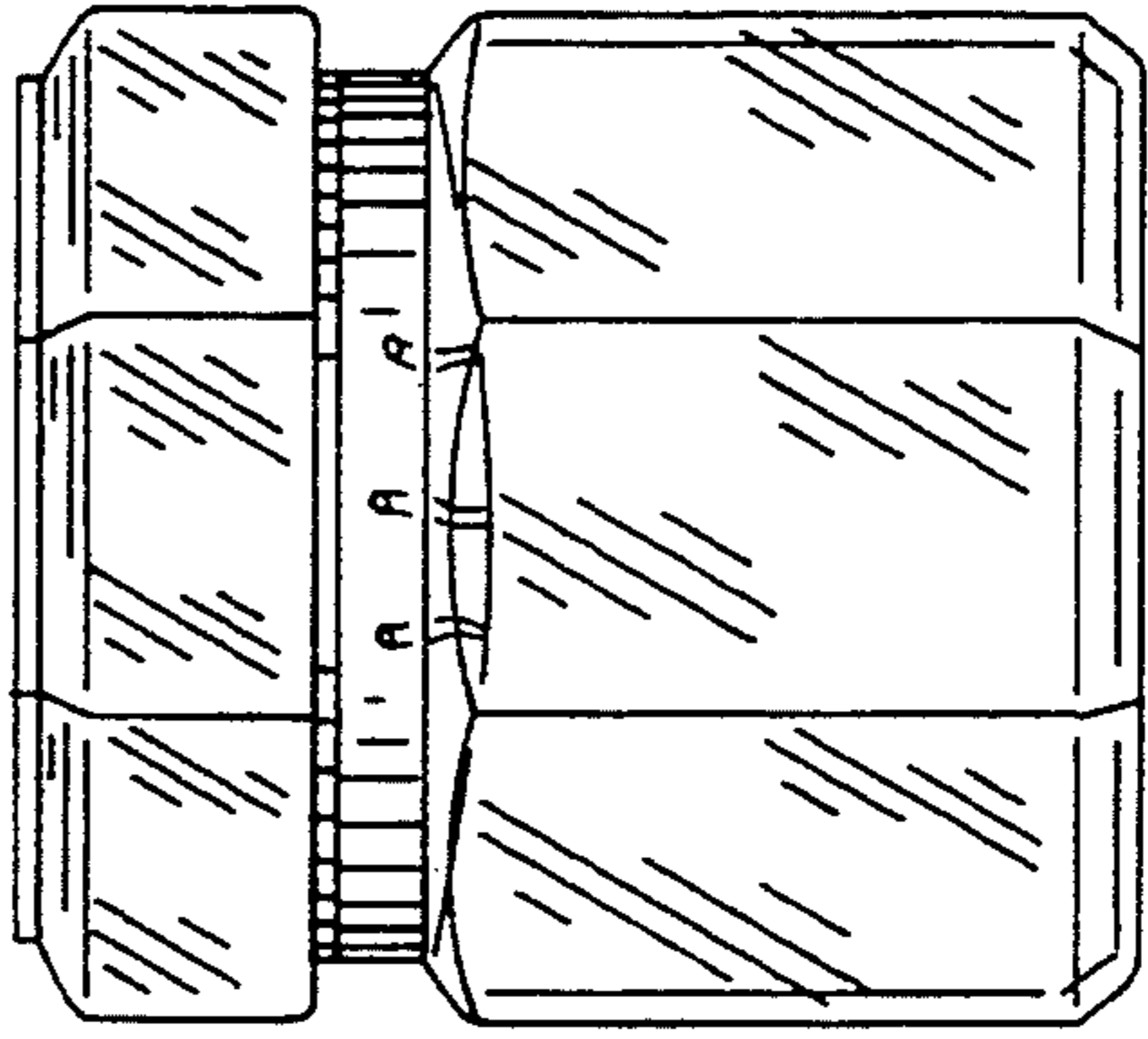


FIG. 6

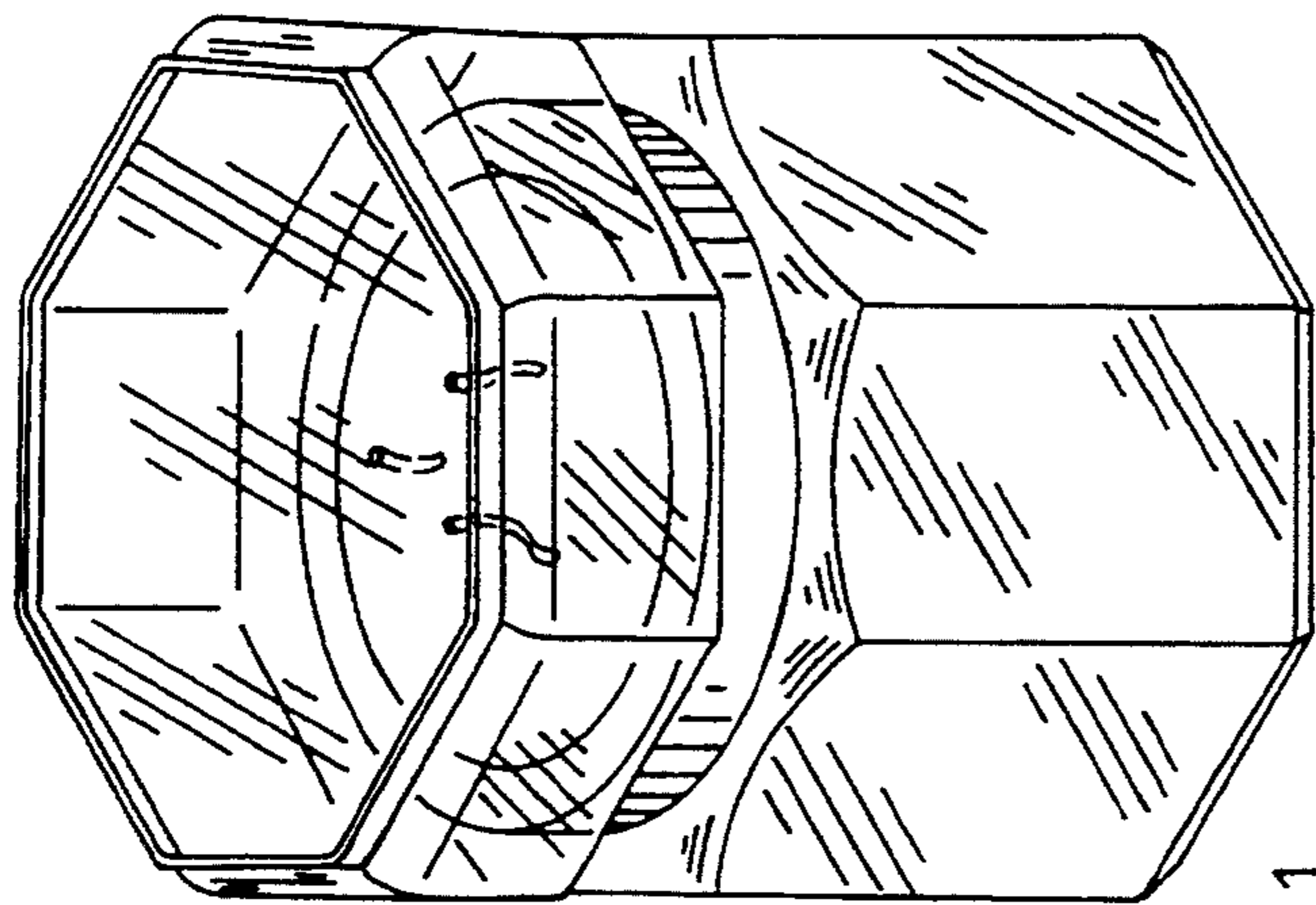


FIG. 1

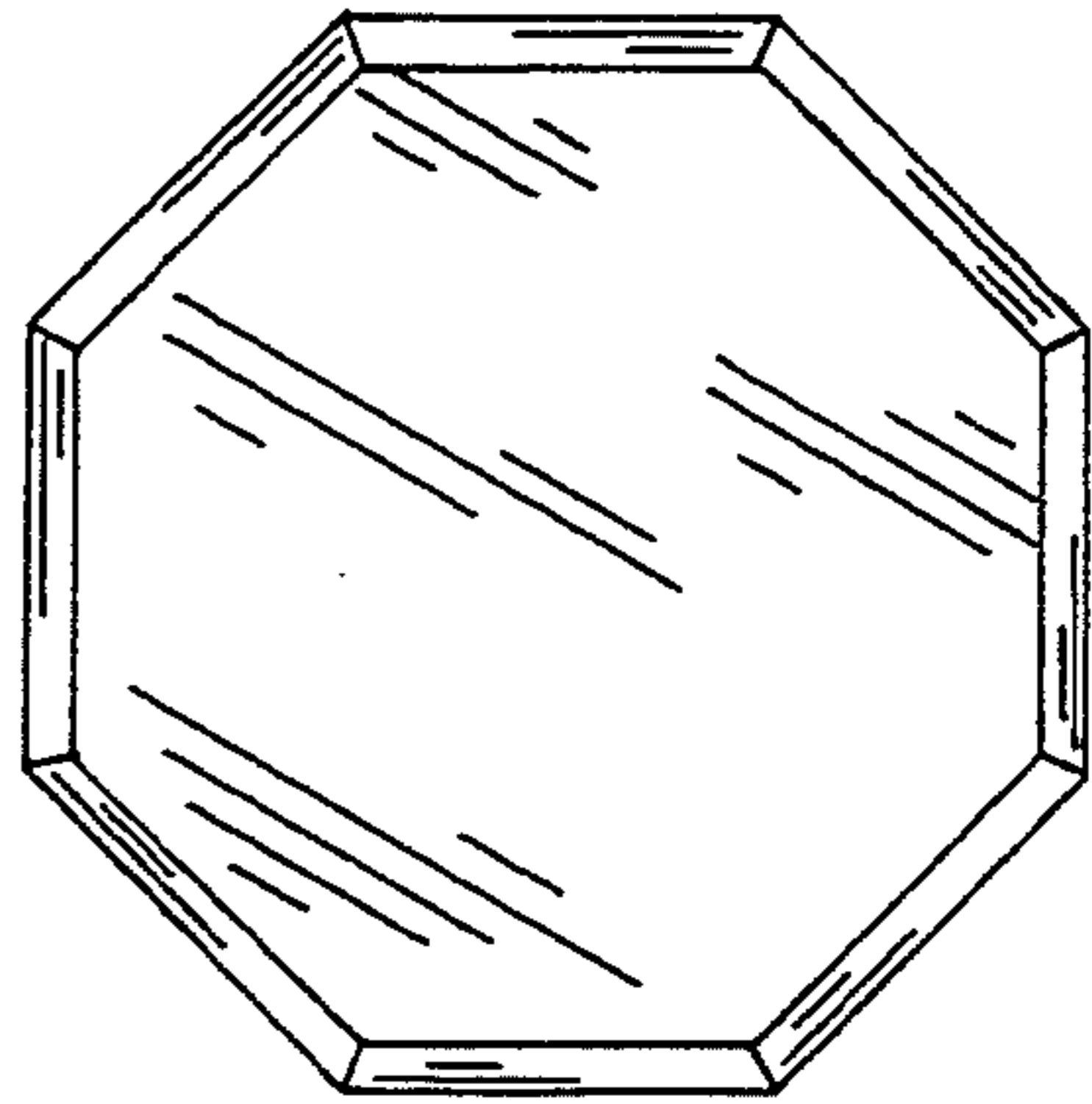


FIG. 3

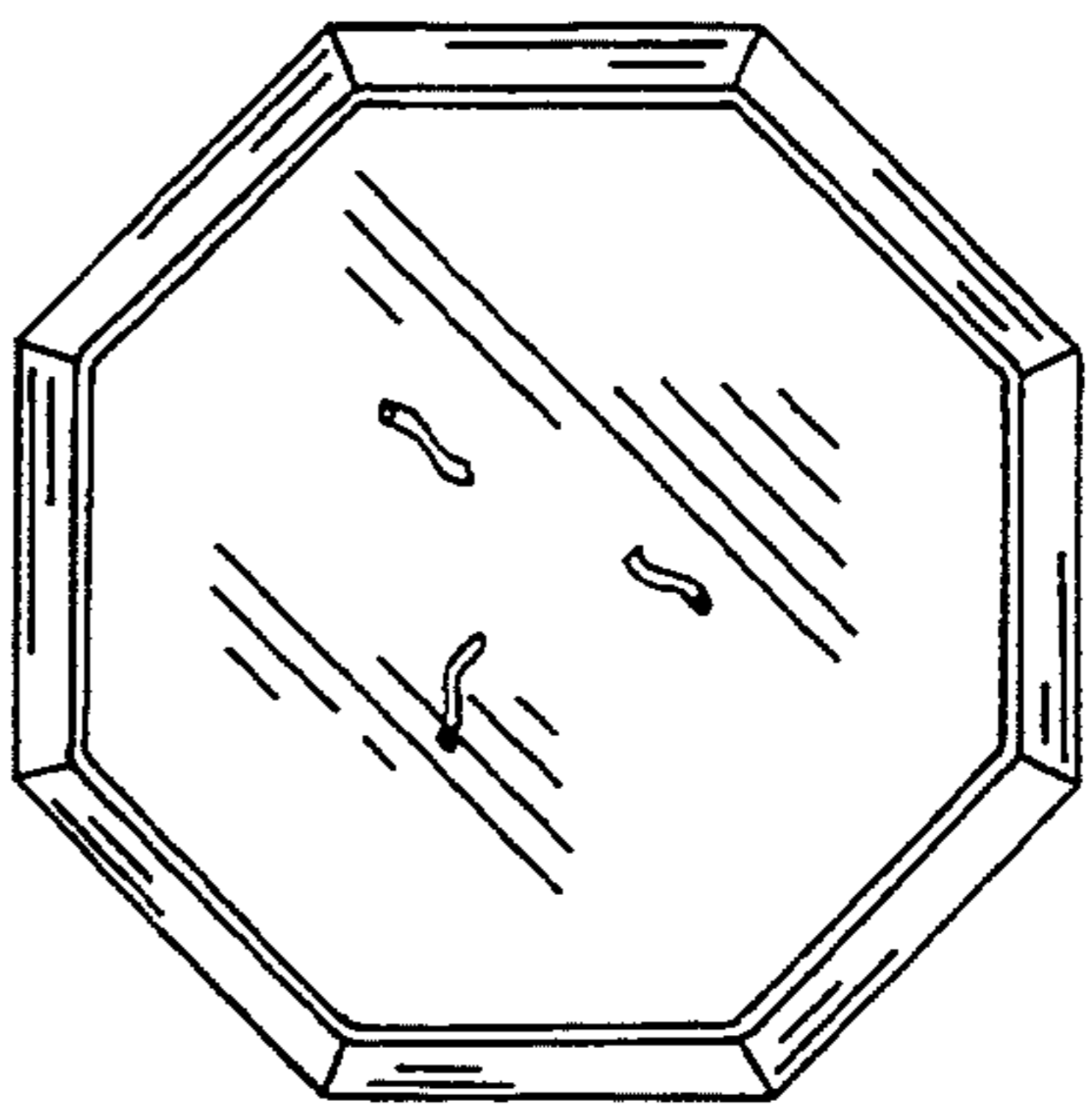


FIG. 2