



US00D350400S

**United States Patent** [19]

[11] **Patent Number: Des. 350,400**

**De Block et al.**

[45] **Date of Patent: \*\* Sep. 6, 1994**

[54] **DOOR LIGHT**

*Attorney, Agent, or Firm*—Warner, Norcross & Judd

[75] Inventors: **David A. De Block; Albert J. Neilly,**  
both of Holland, Mich.

[57] **CLAIM**

The ornamental design for a door light, as shown and described.

[73] Assignee: **ODL, Incorporated,** Zeeland, Mich.

[\*\*] Term: **14 Years**

**DESCRIPTION**

[21] Appl. No.: **759,084**

FIG. 1 is a front and side perspective view of a door light showing our new design, the broken lines showing a door are for illustrative purposes only and form no part of the claimed design;

[22] Filed: **Sep. 13, 1991**

[52] U.S. Cl. .... **D25/52**

FIG. 2 is a rear and side perspective view thereof;

[58] Field of Search ..... 49/504; 52/202; **D25/48,**  
**D25/52**

FIG. 3 is a front and side perspective view thereof;

[56] **References Cited**

**U.S. PATENT DOCUMENTS**

D. 304,617	11/1989	Werthman	.....	D25/48
D. 305,069	12/1989	De Block et al.	.....	D25/48
2,494,161	1/1950	Blackman	.....	D25/53
2,775,798	1/1957	Bent	.....	D25/52
3,239,976	3/1966	Hall	.....	52/202
4,222,220	9/1980	Beirnes	.....	49/504
4,263,760	4/1981	Gell	.....	52/202

FIG. 4 is a rear elevational view thereof;

FIG. 5 is a front elevational view thereof;

FIG. 6 is a side elevational view thereof, the other side being a mirror image and the top and bottom views being similar;

FIG. 7 is a sectional view of the frame taken along the line 7—7 of FIG. 5;

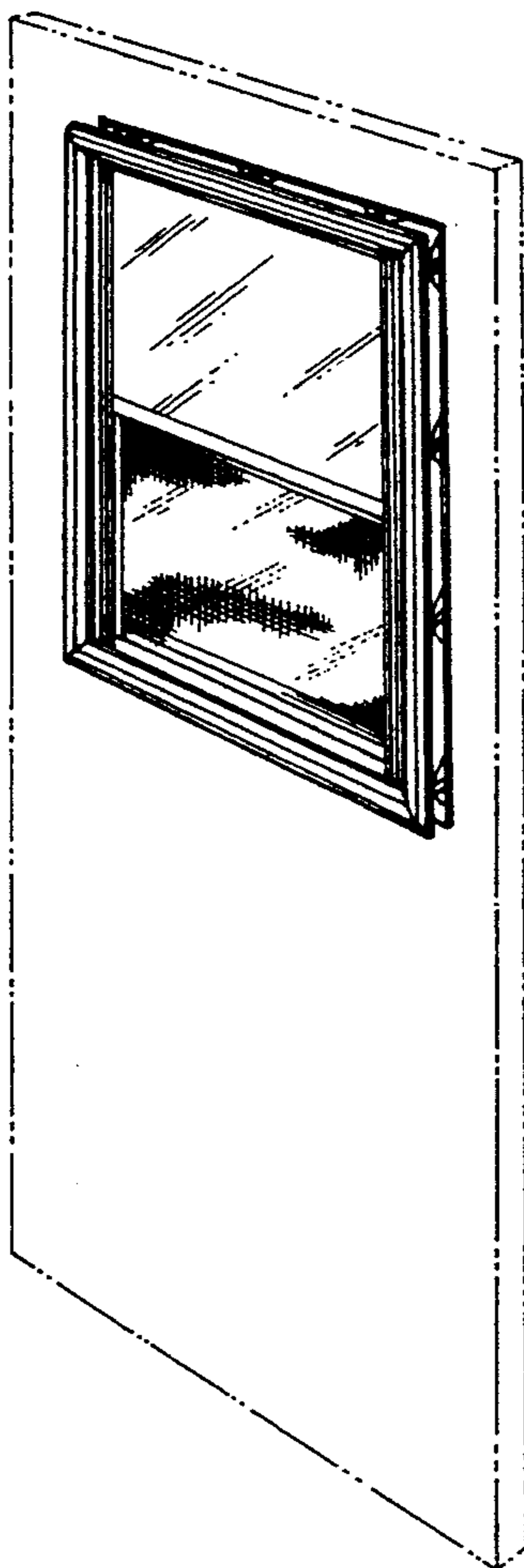
FIG. 8 is a sectional view of the frame taken along the line 8—8 of FIG. 5;

FIG. 9 is a sectional view of the frame taken along the line 9—9 of FIG. 5; and,

FIG. 10 is a sectional view of the frame taken along the line 10—10 of FIG. 5.

*Primary Examiner*—James R. Largen

*Assistant Examiner*—Doris Clark



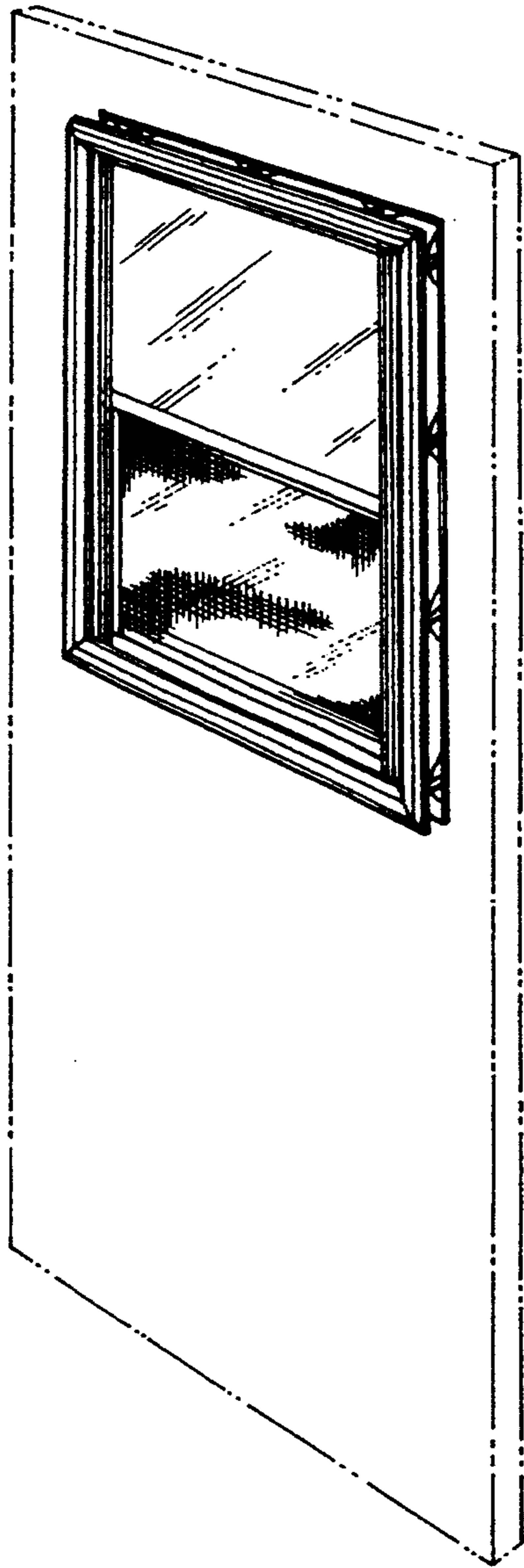


FIG. 1

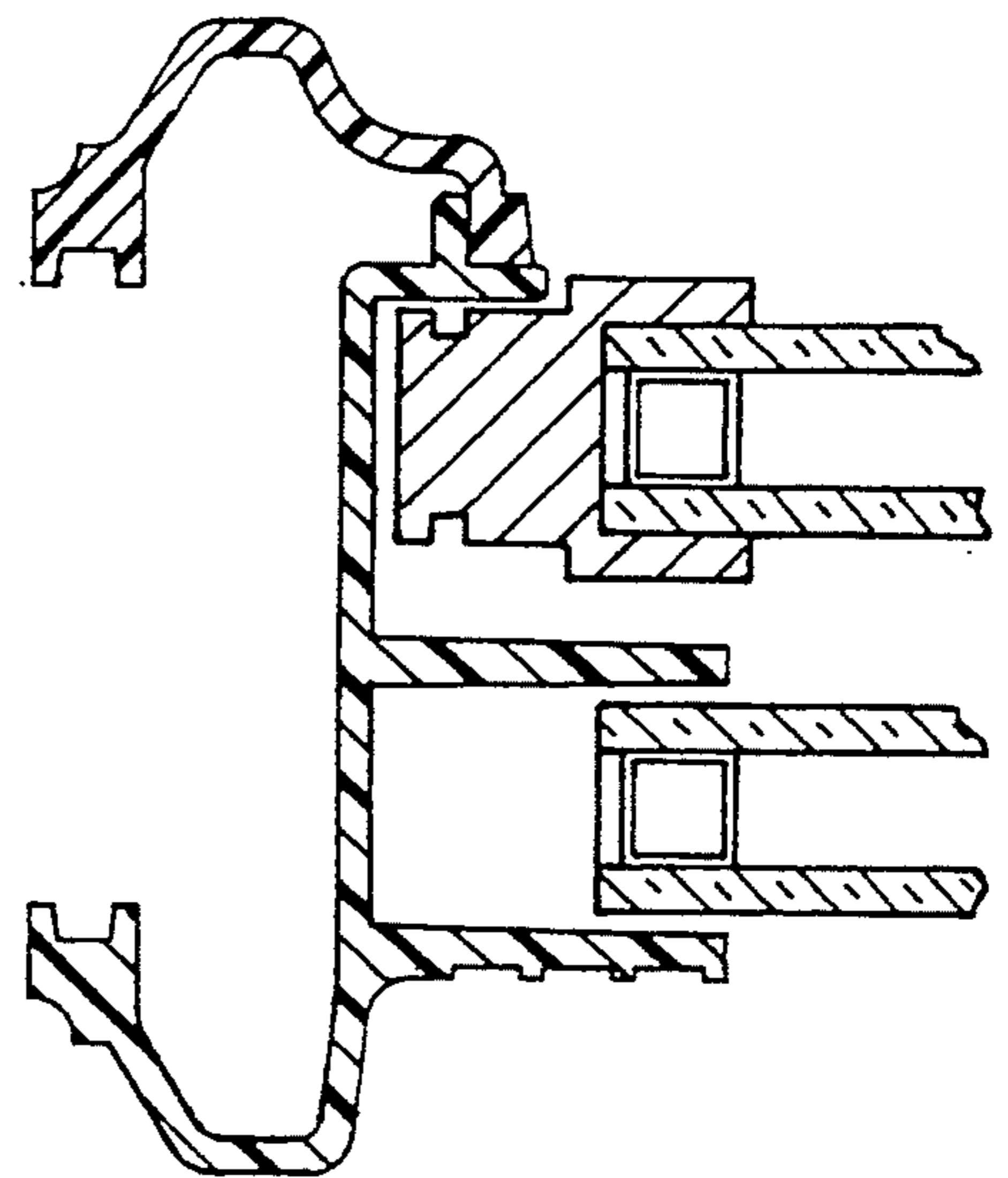


FIG. 8

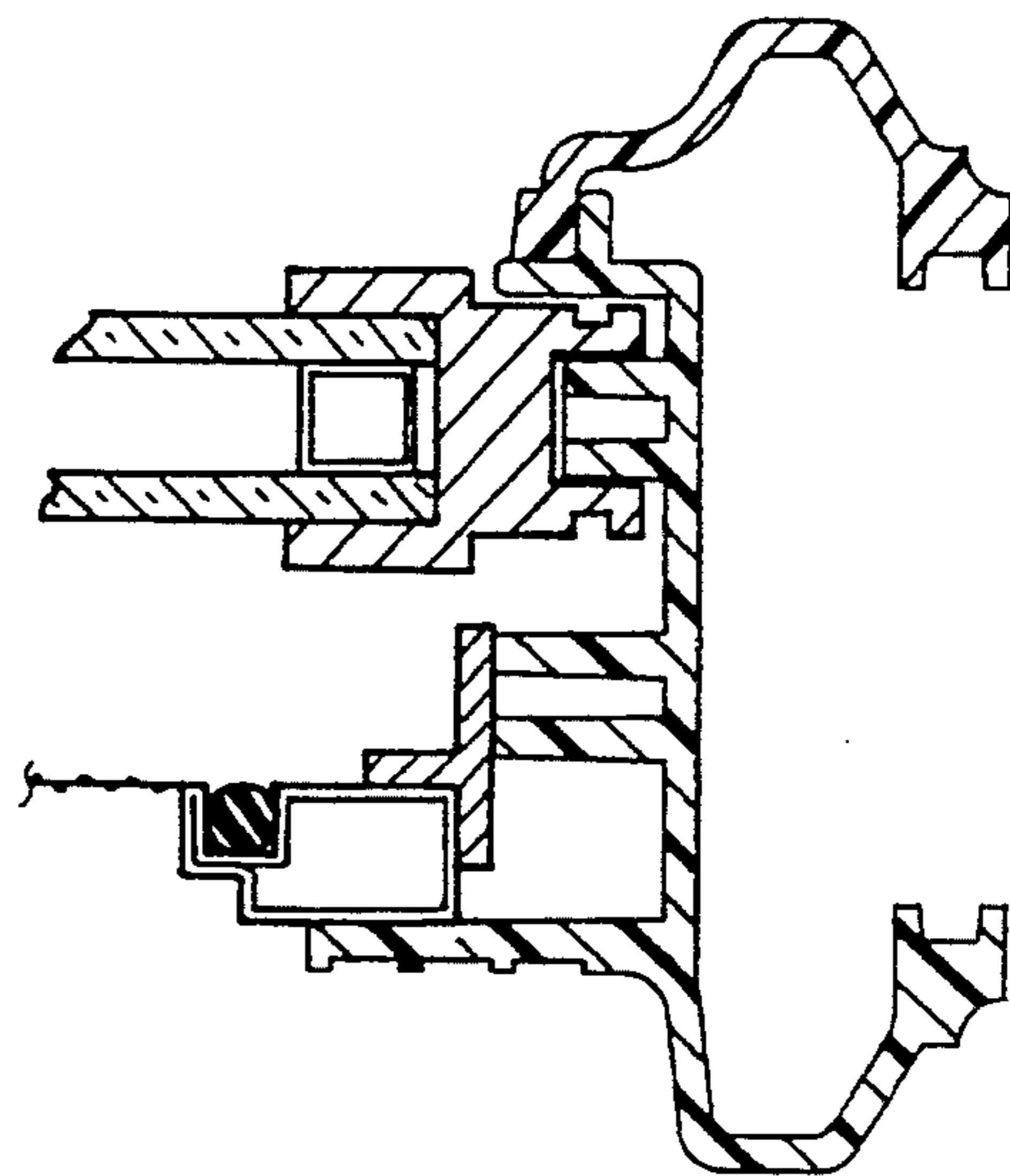


FIG. 7

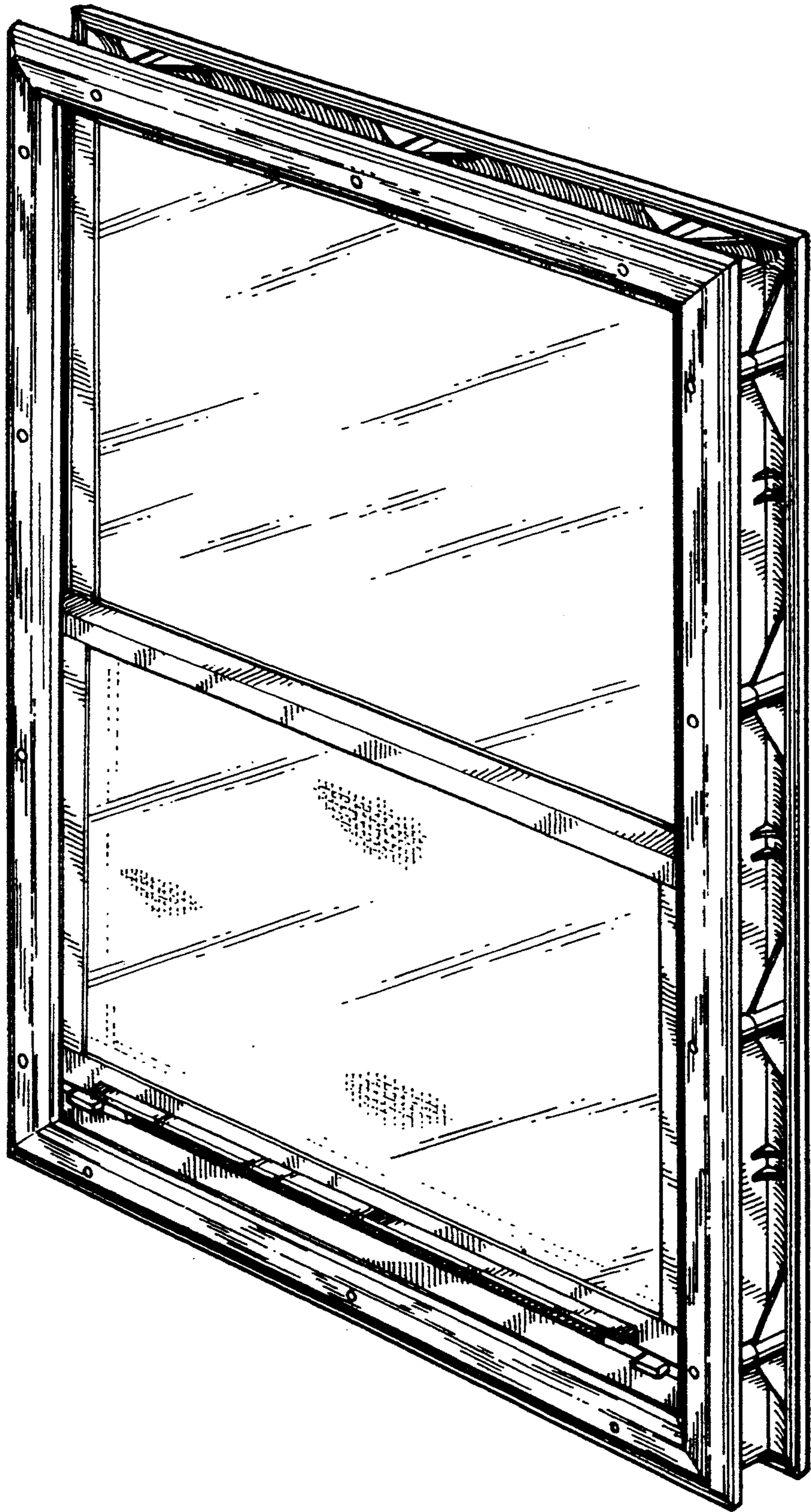


FIG. 2

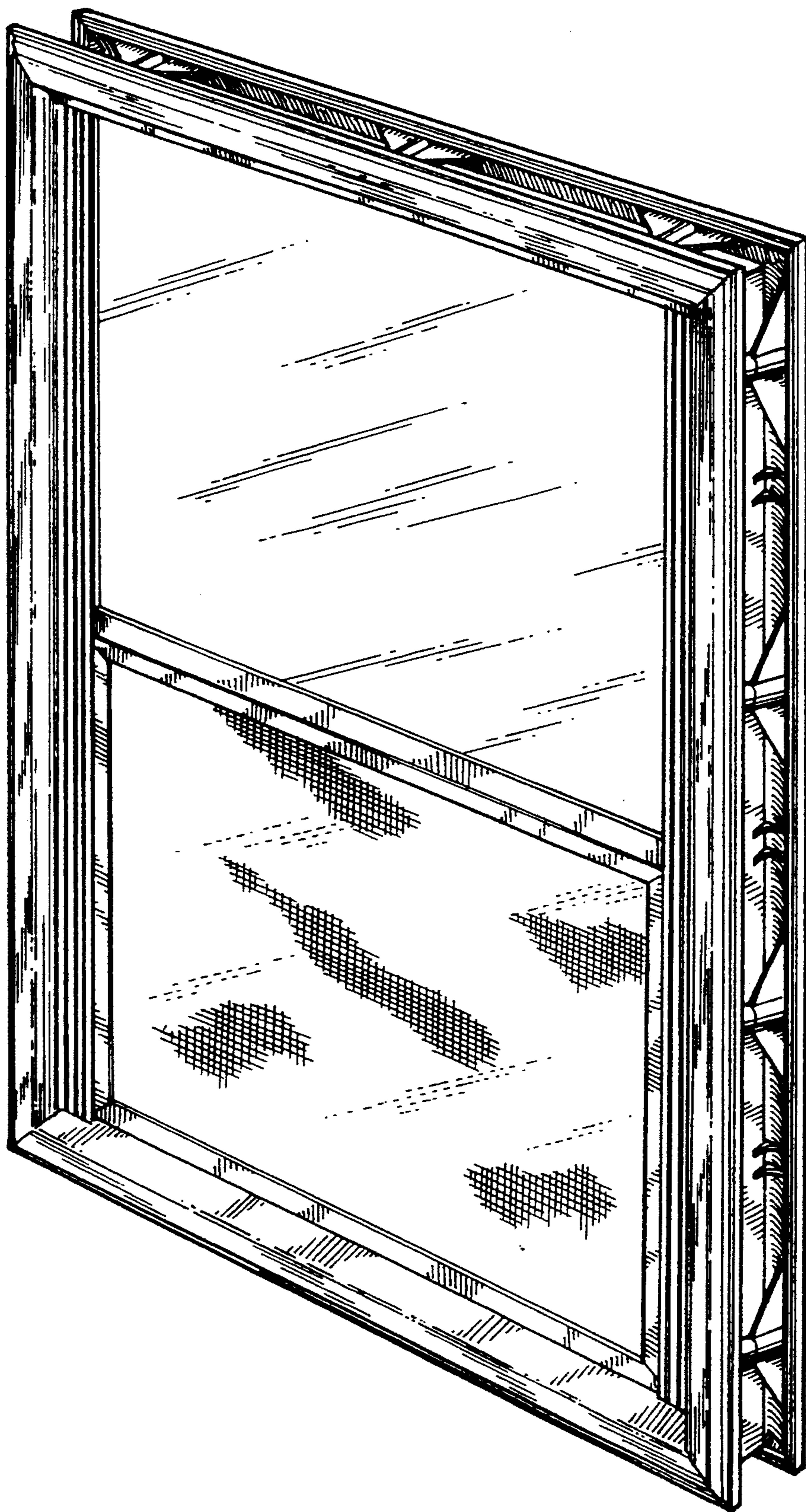


FIG. 3

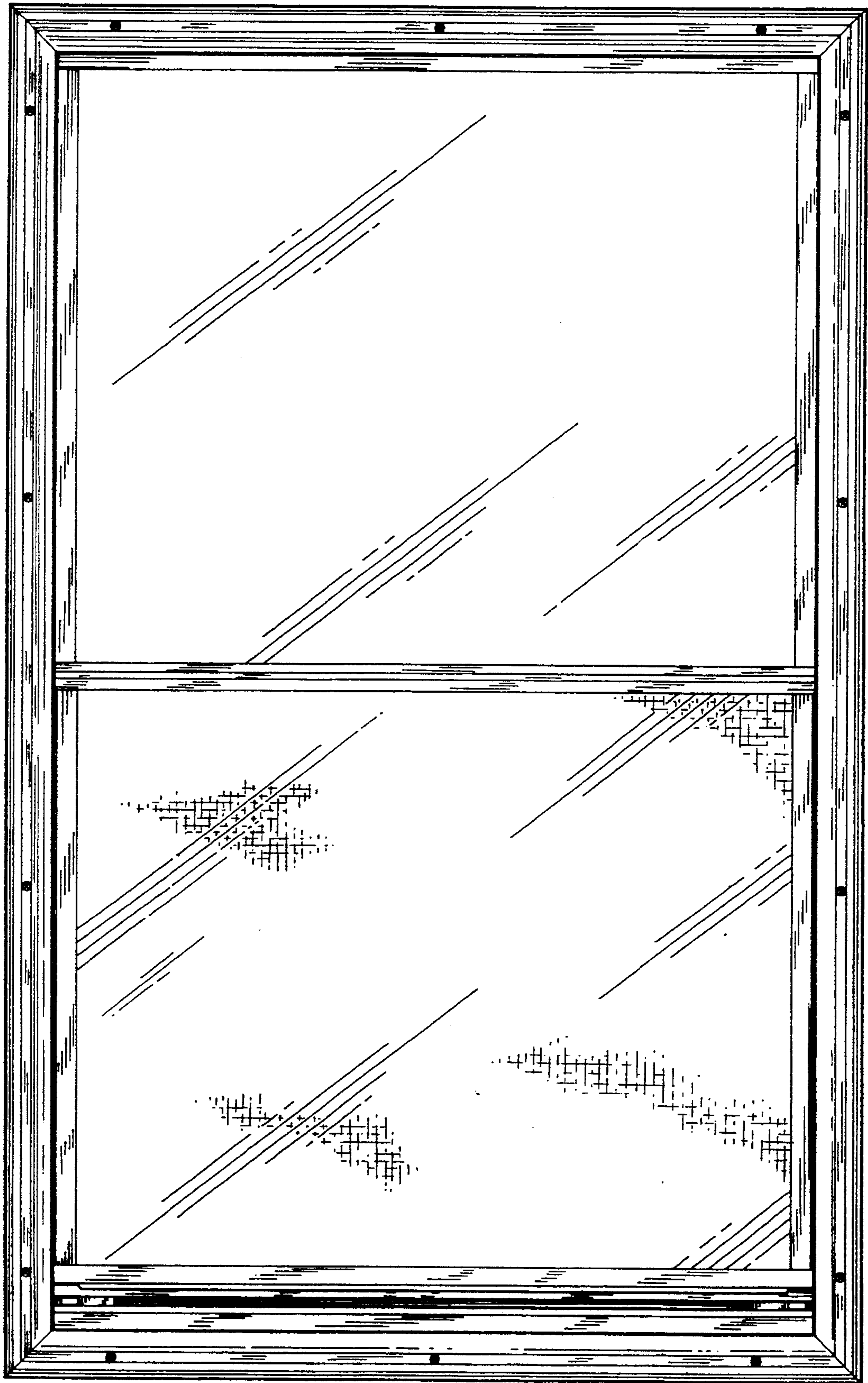


FIG. 4

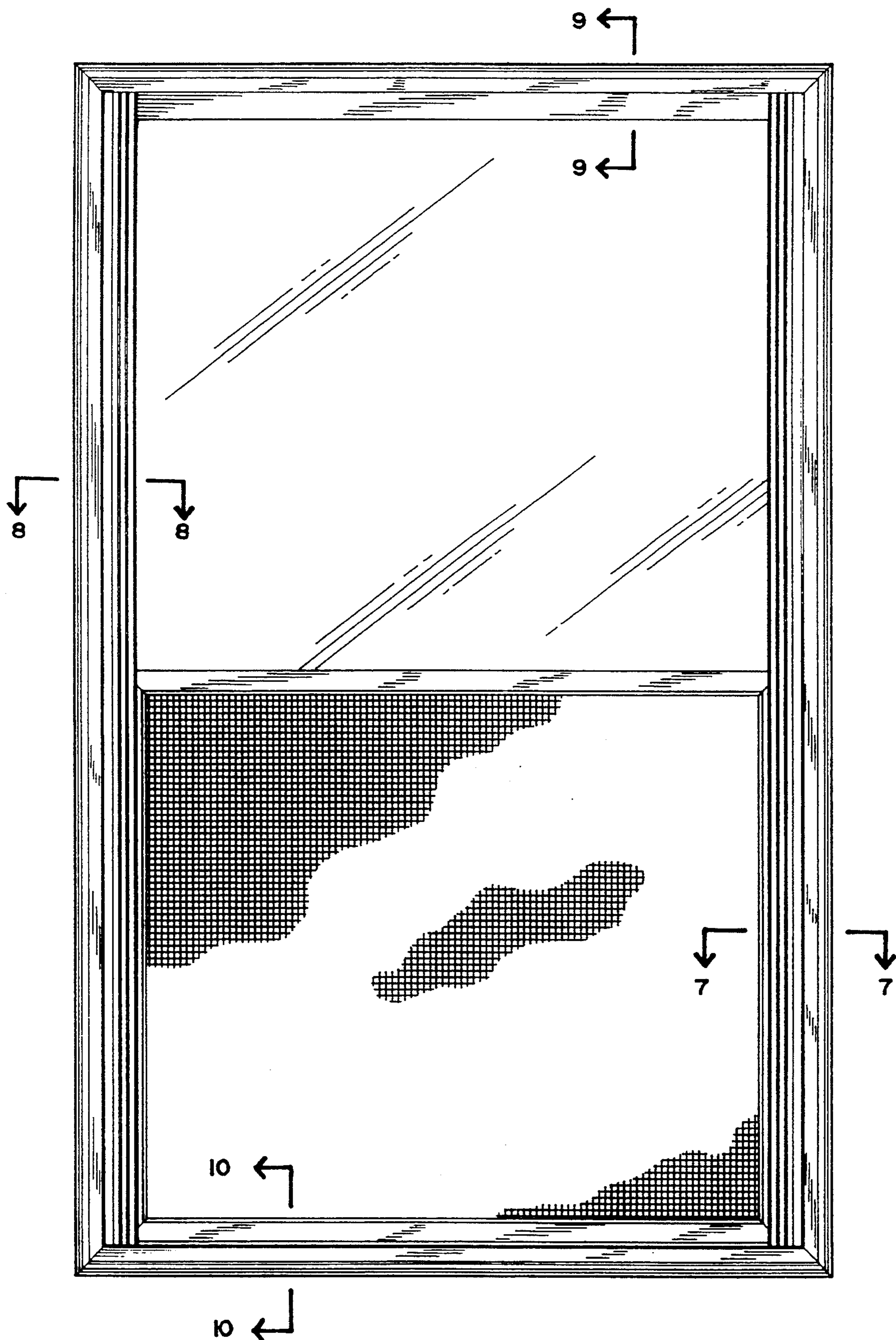


FIG. 5

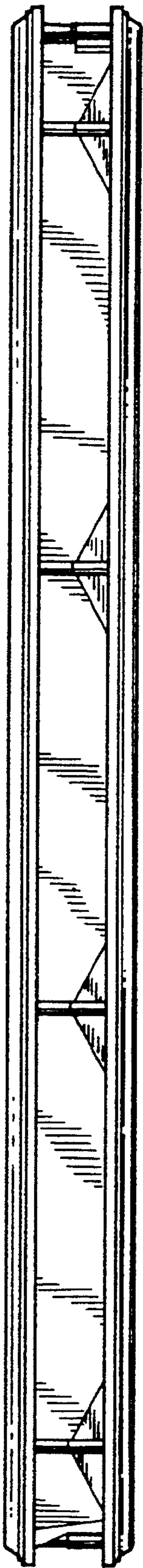


FIG. 6

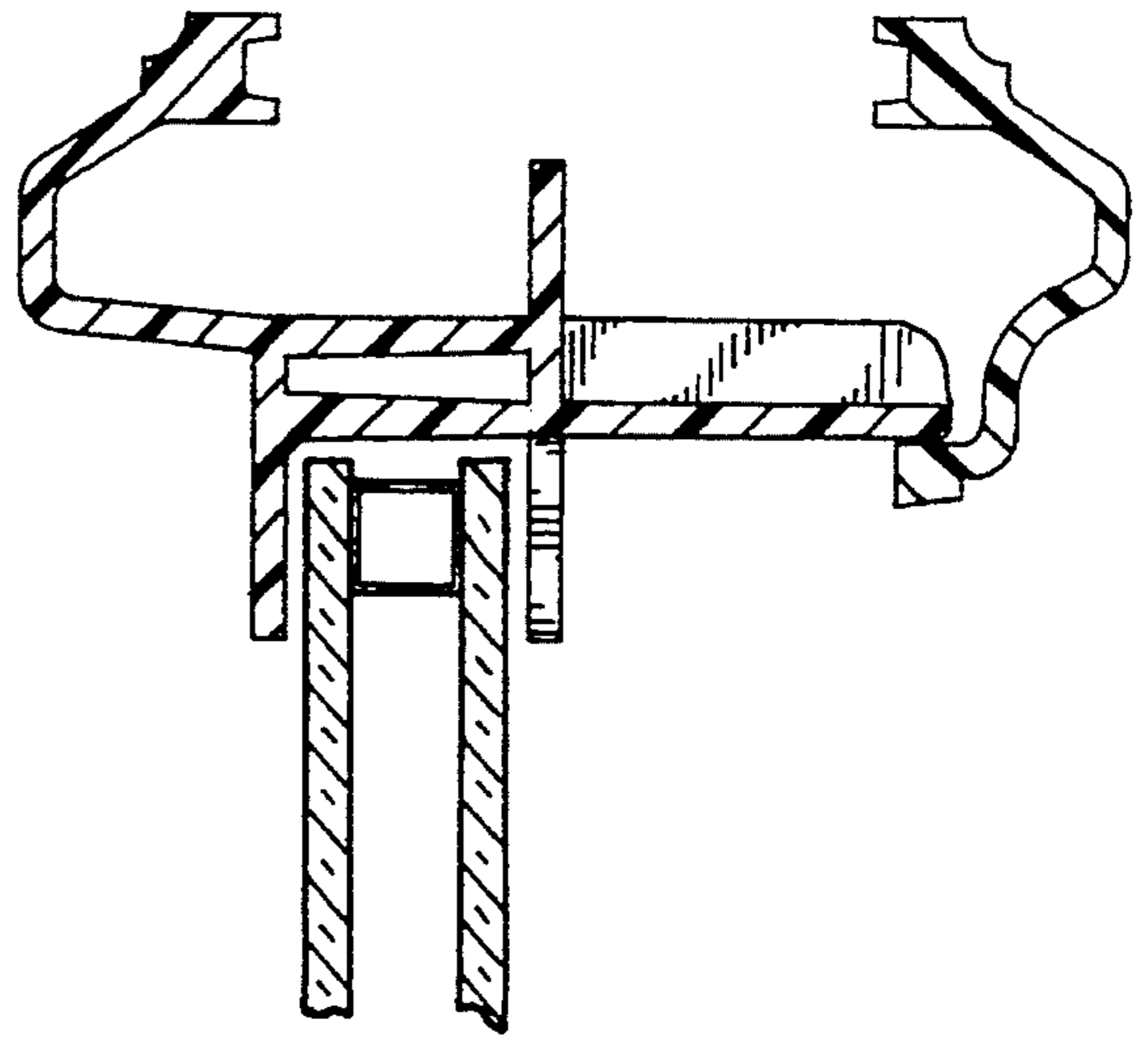


FIG. 9

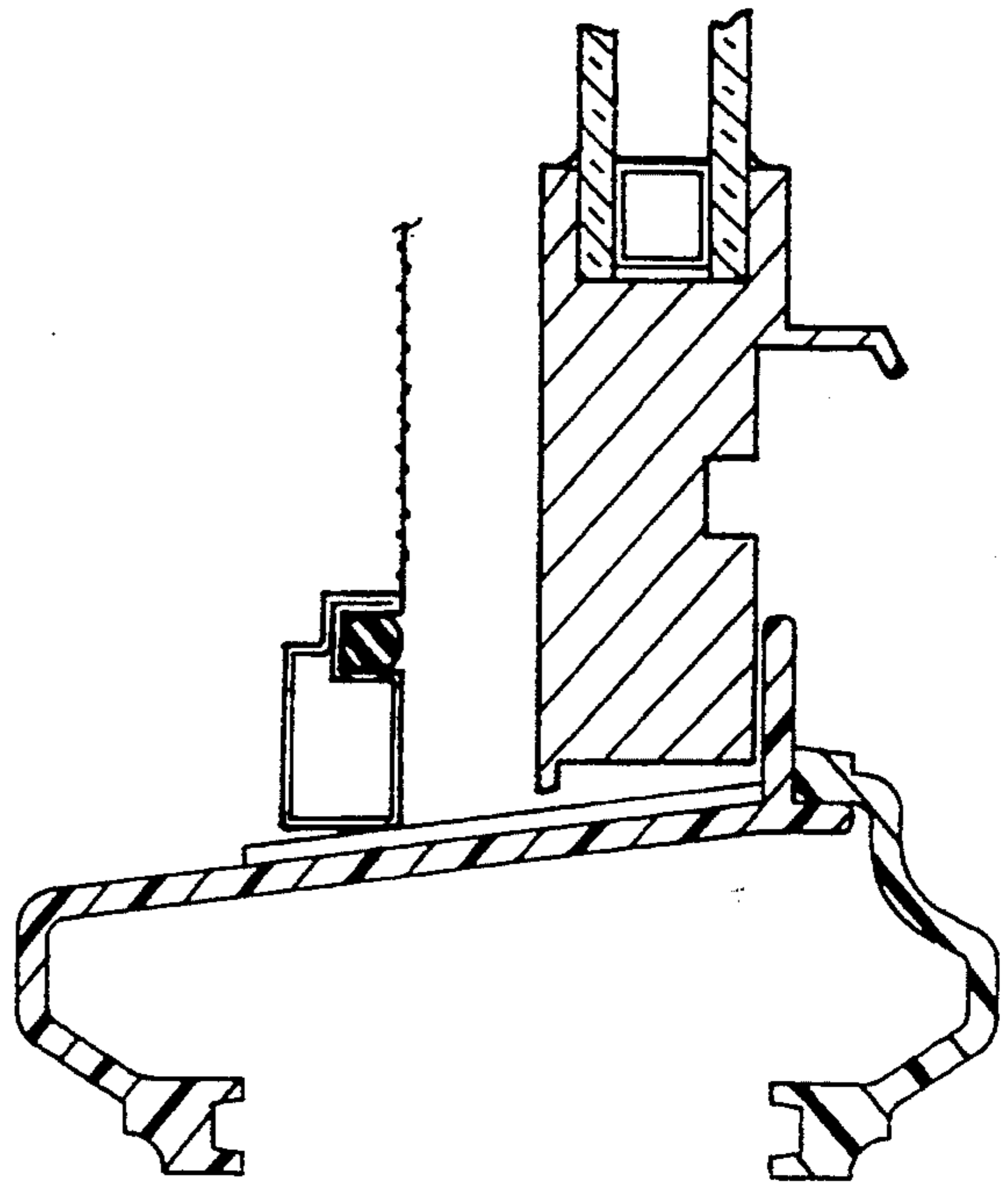


FIG. 10