



US00D350395S

United States Patent [19]

[11] Patent Number: **Des. 350,395**

Håkansson

[45] Date of Patent: **** Sep. 6, 1994**

[54] **CONNECTOR COUPLING FOR A HEARING AID**

[76] Inventor: **Bo Håkansson**, Splintvedsgatan 7, S-416 80 Göteborgs, Sweden

[**] Term: **14 Years**

[21] Appl. No.: **908,217**

[22] Filed: **Jul. 2, 1992**

D. 274,839	7/1984	Libby	D24/174
D. 300,660	4/1989	Harada	D24/174
4,524,765	6/1985	de Zbikowski	606/73 X
4,716,893	1/1988	Fischer et al.	606/73 X
4,963,144	10/1990	Huene	606/72 X
4,976,715	12/1990	Baus et al.	606/220 X
5,129,906	7/1992	Ross et al.	606/77
5,151,103	9/1992	Tepic et al.	606/72 X

Primary Examiner—Stella Reid

Attorney, Agent, or Firm—Ostrolenk, Faber, Gerb & Soffen

Related U.S. Application Data

[62] Division of Ser. No. 497,577, Mar. 22, 1990, abandoned.

[52] U.S. Cl. **D24/173; D24/145; D24/155**

[58] Field of Search 381/153; 181/129, 135, 181/130; 606/73, 72, 75, 77; 623/10; D24/129, 173, 174, 145, 155

References Cited

U.S. PATENT DOCUMENTS

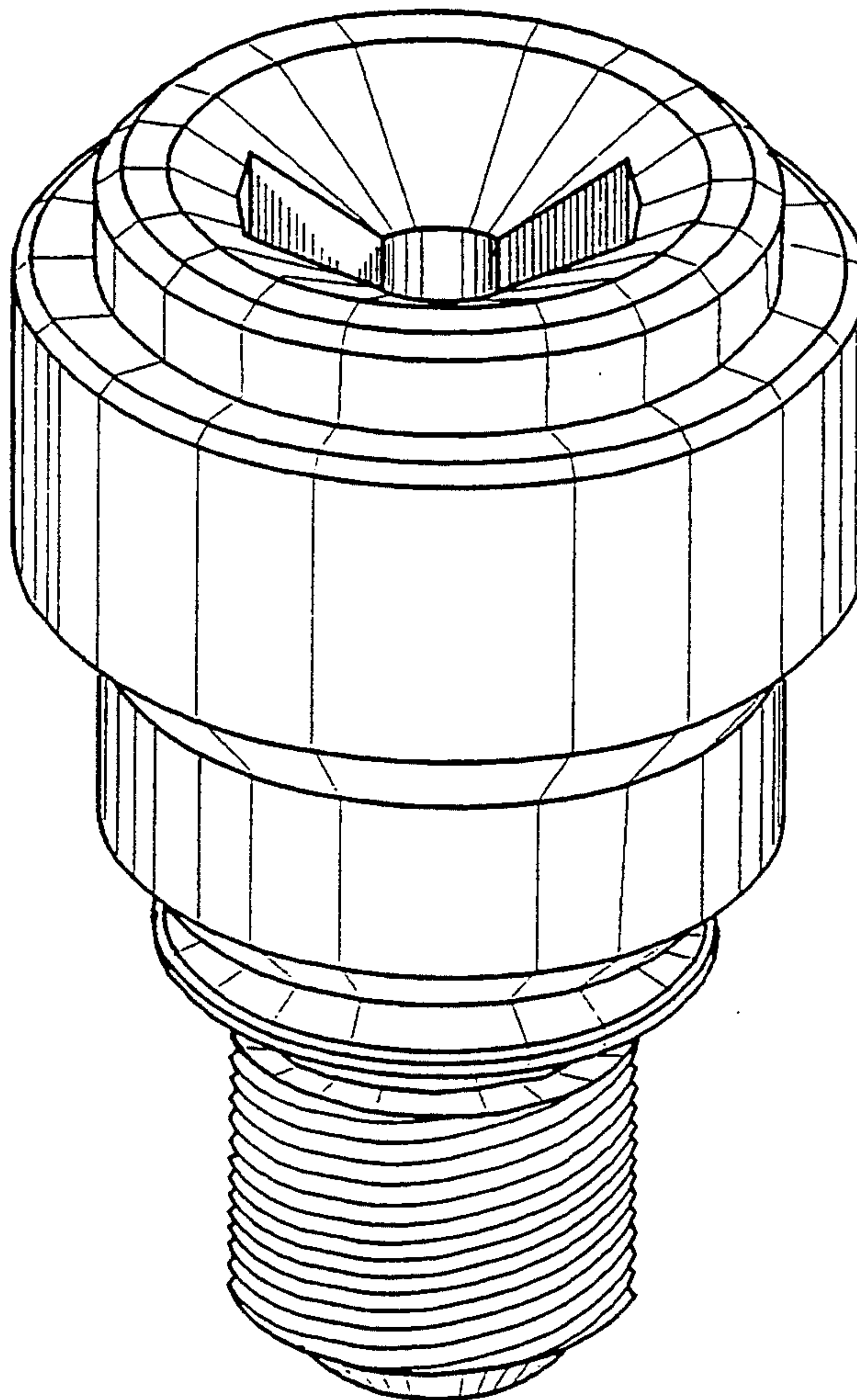
D. 270,566 9/1983 Bennett D24/174

[57] CLAIM

The ornamental design for connector coupling for a hearing aid, as shown and described.

DESCRIPTION

FIG. 1 is a top perspective view of a connector coupling for a hearing aid showing my new design; FIG. 2 is a bottom perspective view thereof; FIG. 3 is a top view thereof; FIG. 4 is a side view thereof, all side views being identical; and, FIG. 5 is a bottom view thereof.



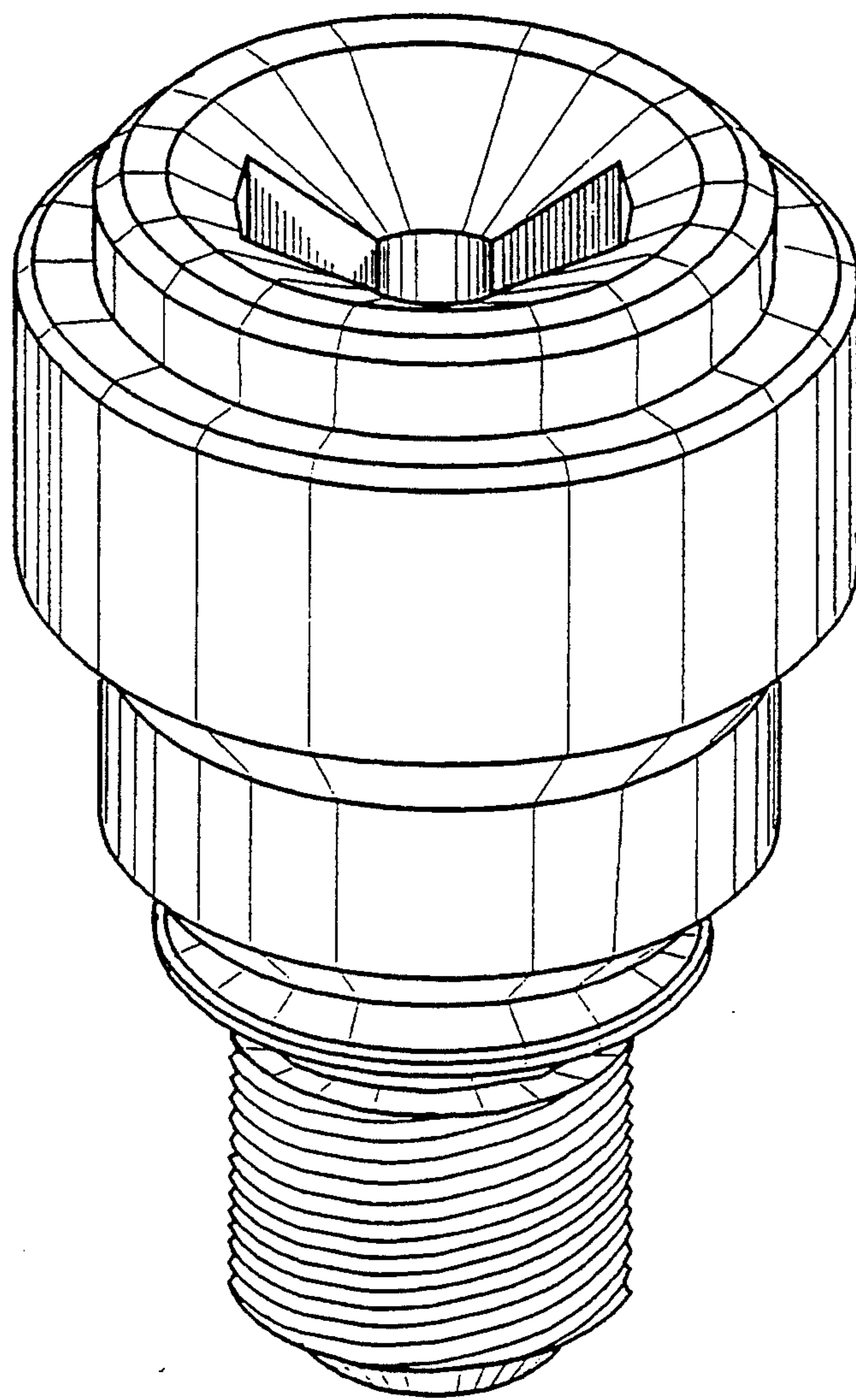


FIG.1

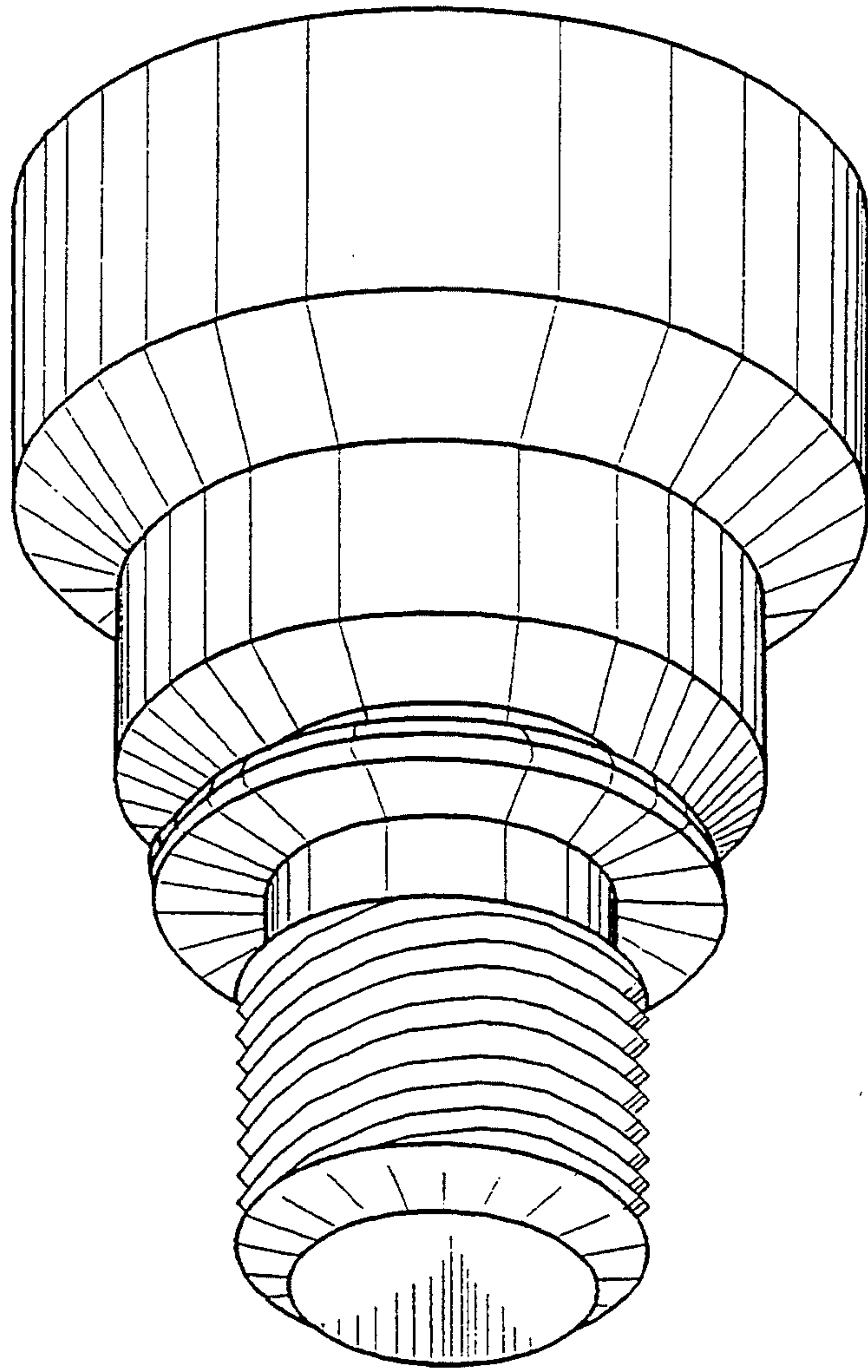


FIG. 2

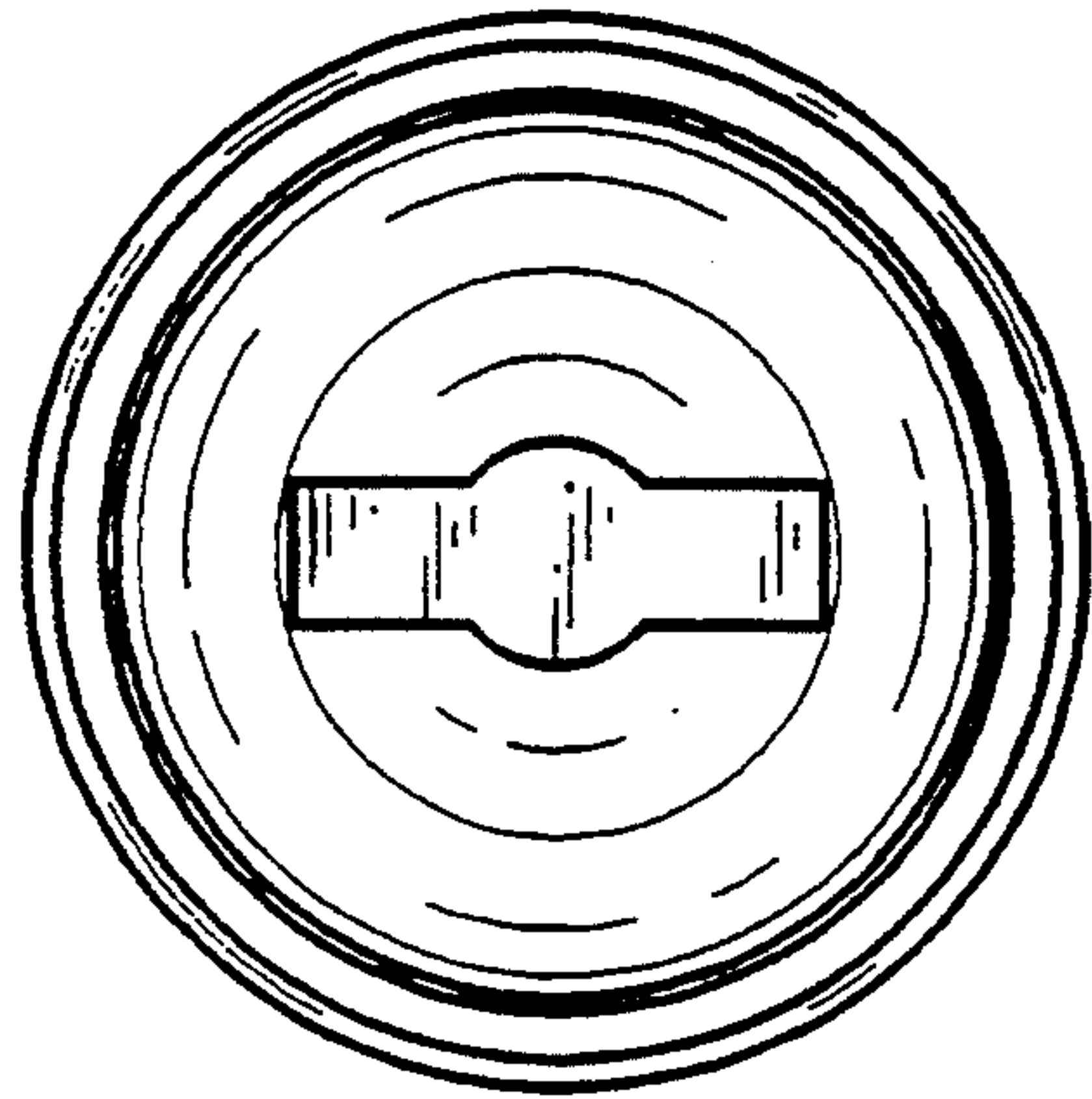


FIG. 3

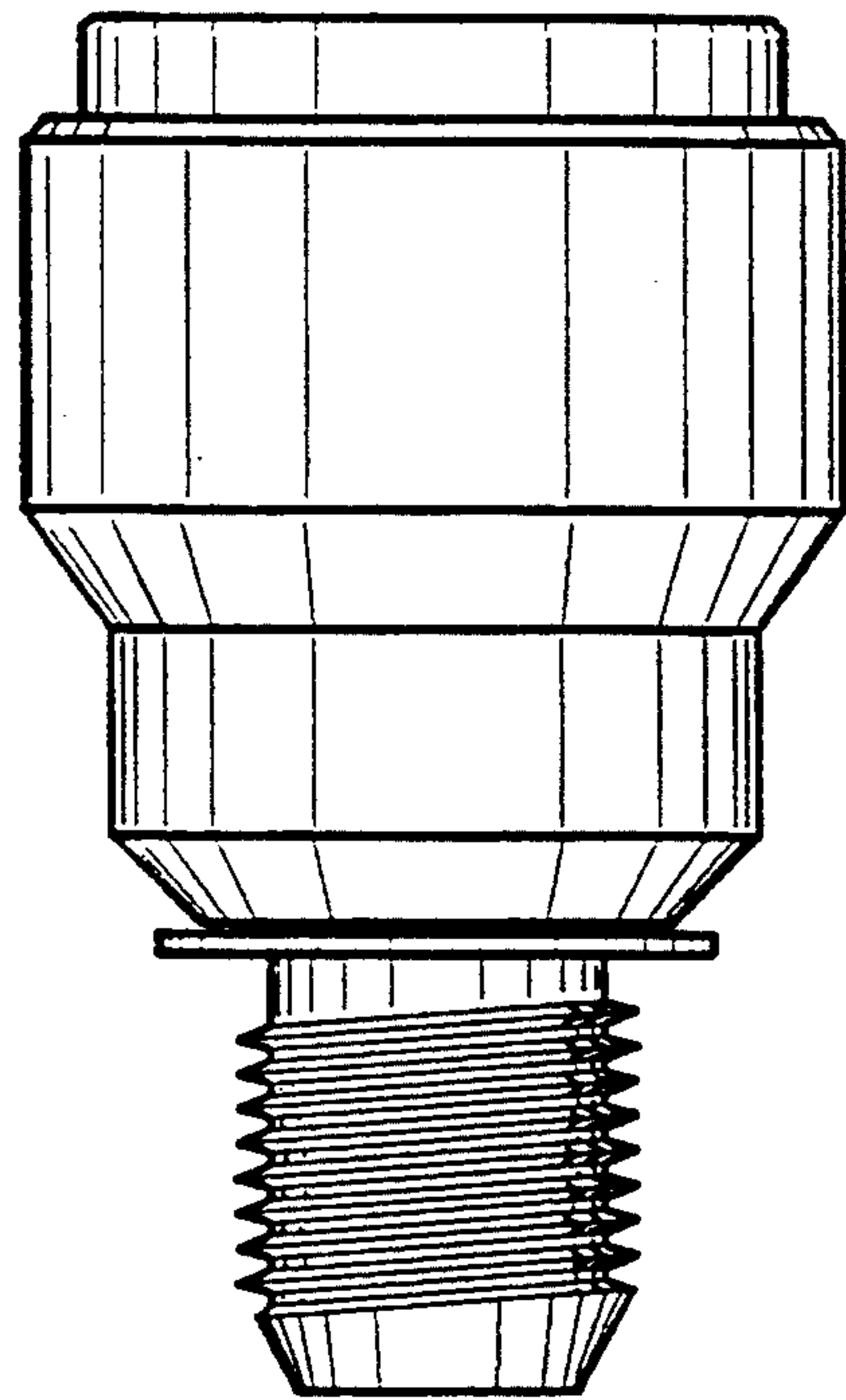


FIG. 4

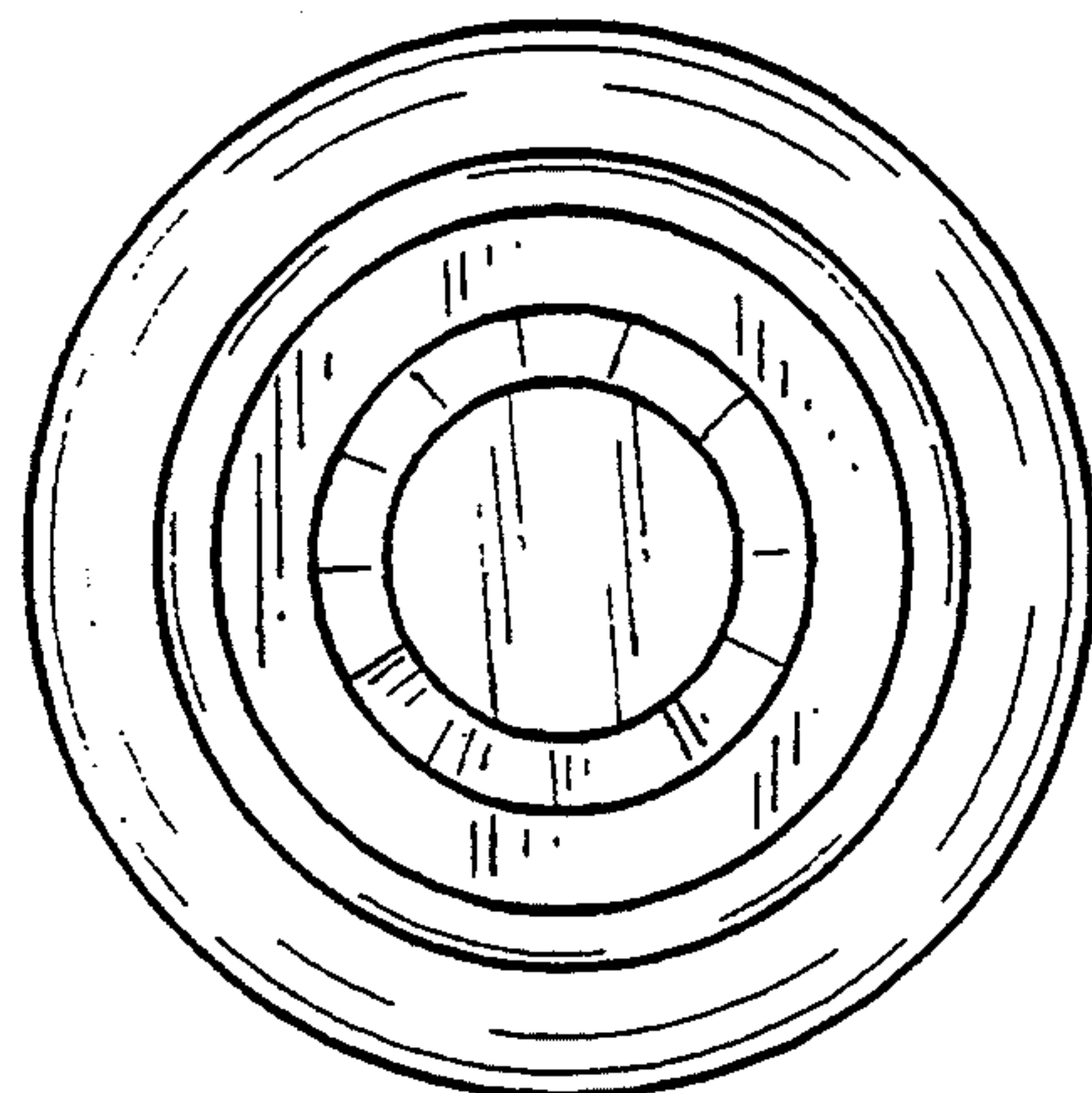


FIG. 5