



US00D350394S

United States Patent [19]
Kazal

[11] **Patent Number: Des. 350,394**

[45] **Date of Patent: ** Sep. 6, 1994**

[54] **VENTILATOR CIRCUIT**

[75] Inventor: **Duane D. Kazal**, Valencia, Calif.

[73] Assignee: **Baxter International Inc.**, Deerfield, Ill.

[**] Term: **14 Years**

[21] Appl. No.: **851,357**

[22] Filed: **Mar. 16, 1992**

[52] U.S. Cl. **D24/164**

[58] Field of Search 128/200.21, 203.25,
128/204.18, 204.19, 204.25, 204.26, 207.14, 911;
D24/164, 110

[56] **References Cited**

U.S. PATENT DOCUMENTS

D. 331,281	11/1992	Levine	D24/110
3,191,596	6/1965	Bird et al.	128/204.26
3,903,884	9/1975	Huston et al.	D29/7 X
4,360,104	11/1982	Lang	128/204.18
4,838,258	6/1989	Dryden et al.	128/204.18
4,852,563	8/1989	Gross	128/204.18 X
5,121,746	6/1992	Sikora	128/911 X

OTHER PUBLICATIONS

Hudson advertising literature 1987.

Marquest Medical Products, Inc. advertising literature 1987.

DHD Medical Products advertising literature Jun. 1988.

Intertech Resources, Inc. advertising literature Apr. 1988.

Inspiron advertising literature not dated.

Intec Medical advertising literature not dated.

Seamless advertising literature 1987.

Primary Examiner—A. Hogo Word

Assistant Examiner—Eric Watterson

Attorney, Agent, or Firm—Paul E. Schaafsma; Paul C. Flattery

[57] **CLAIM**

The ornamental design for a ventilator circuit, as shown and described.

DESCRIPTION

FIG. 1 is a perspective view of the subject ventilator circuit;

FIG. 2 is a side perspective view of the ventilator circuit of FIG. 1;

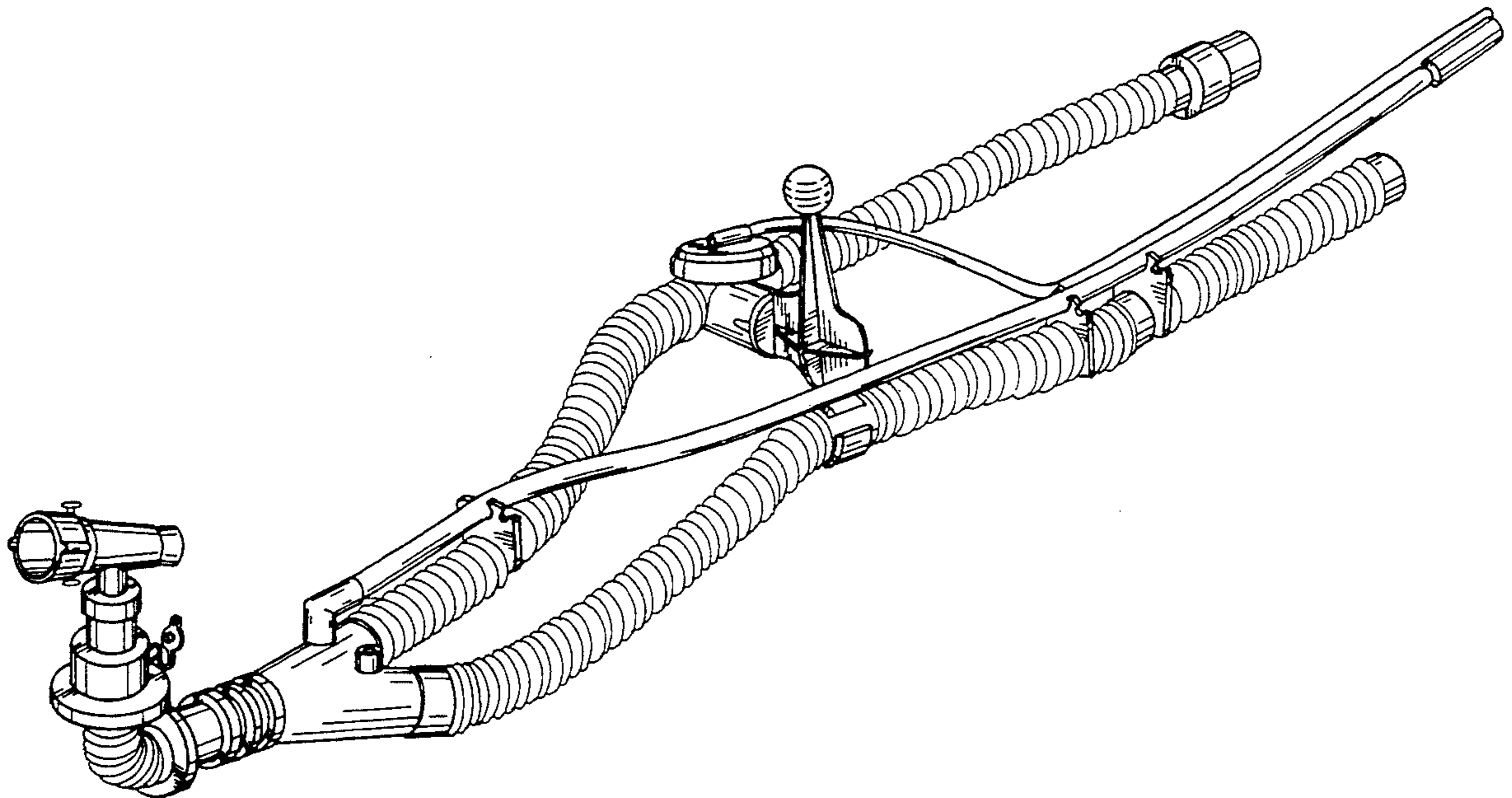
FIG. 3 is another side perspective view of the ventilator circuit of FIG. 1;

FIG. 4 is a top view of the ventilator circuit;

FIG. 5 is a bottom view of the ventilator circuit;

FIG. 6 is an end view of the ventilator circuit; and,

FIG. 7 is another end view of the ventilator circuit.



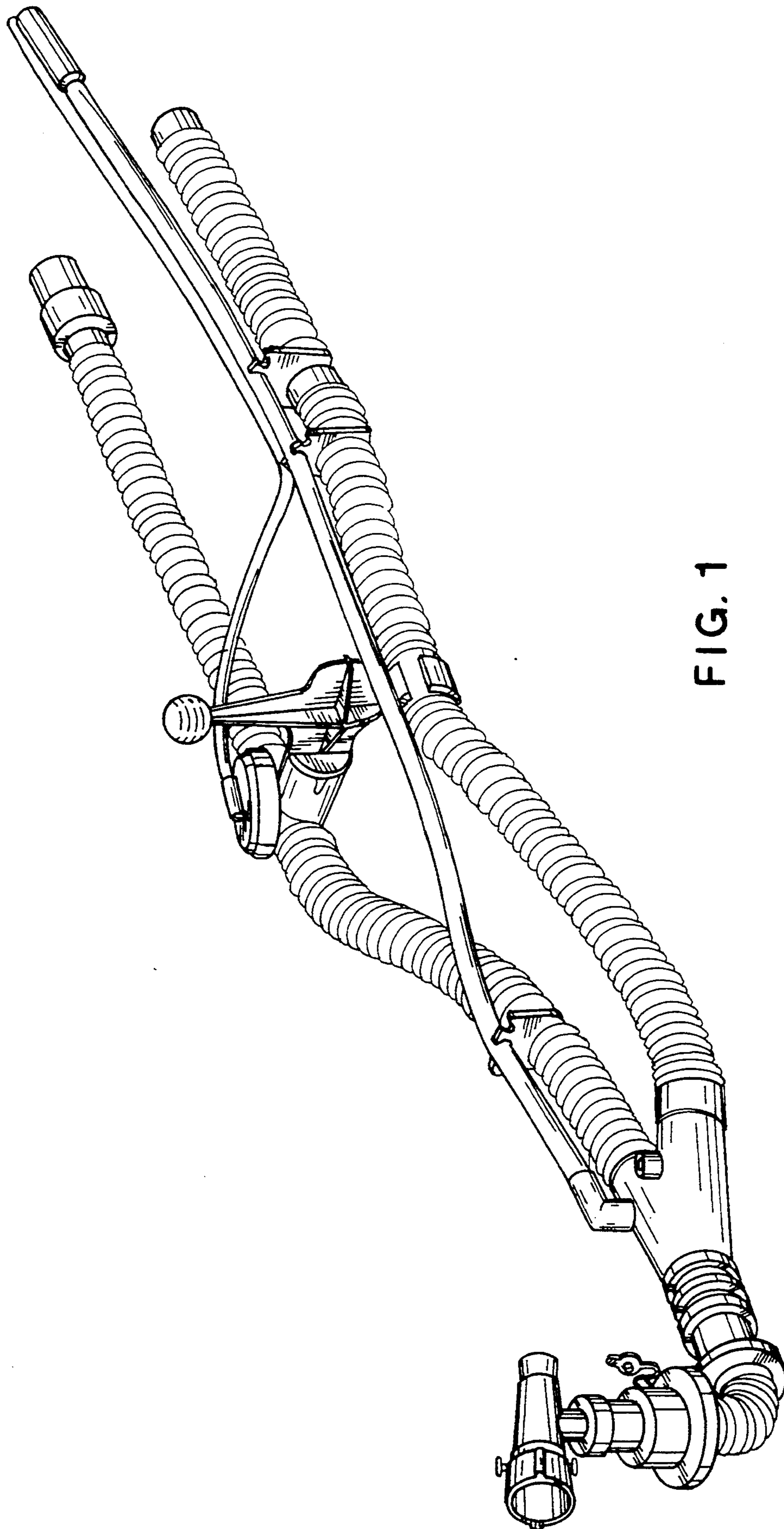
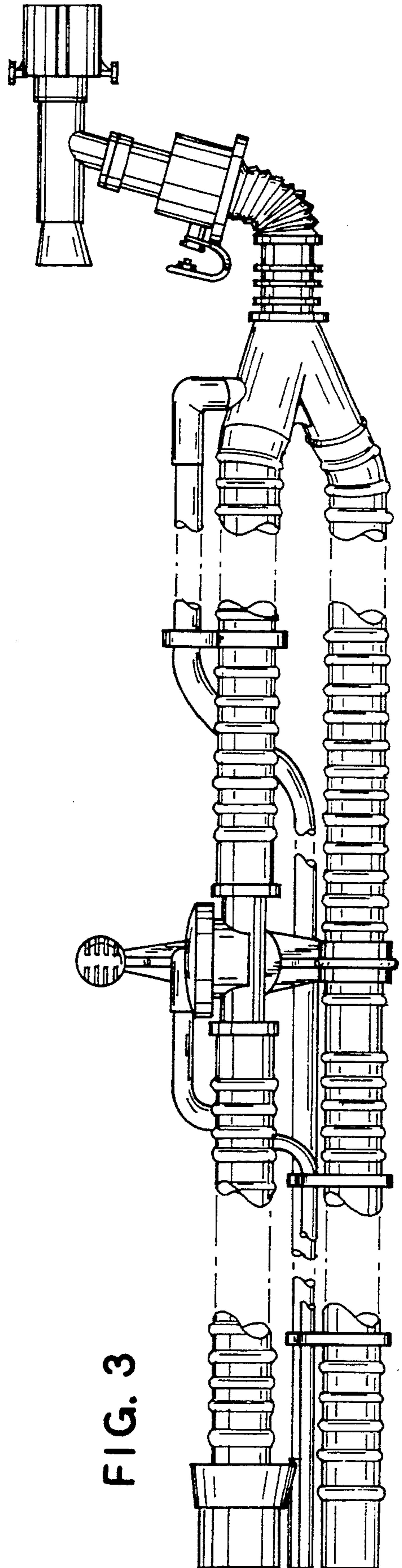
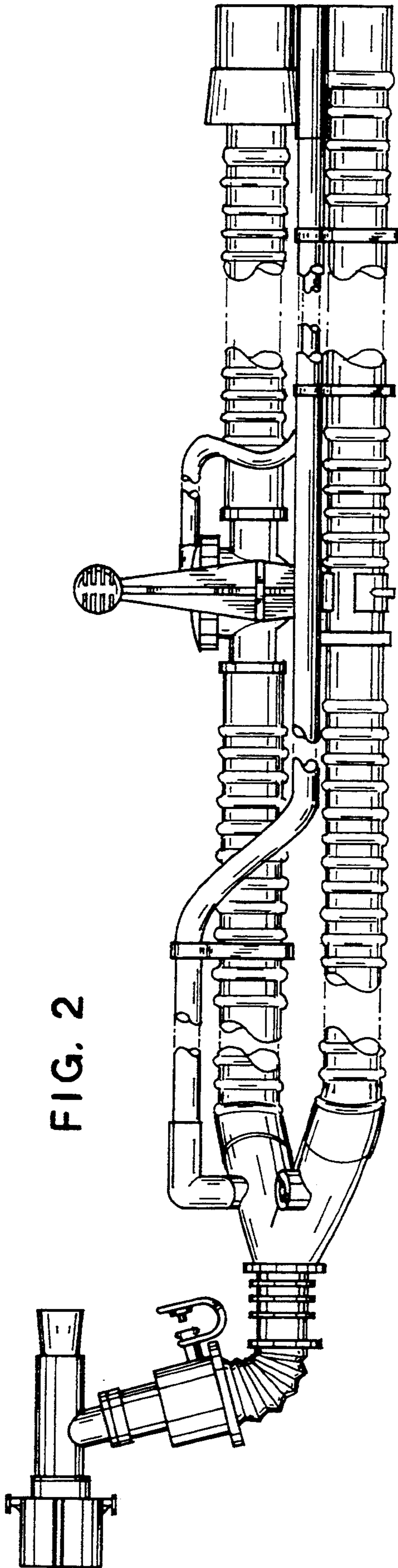


FIG. 1



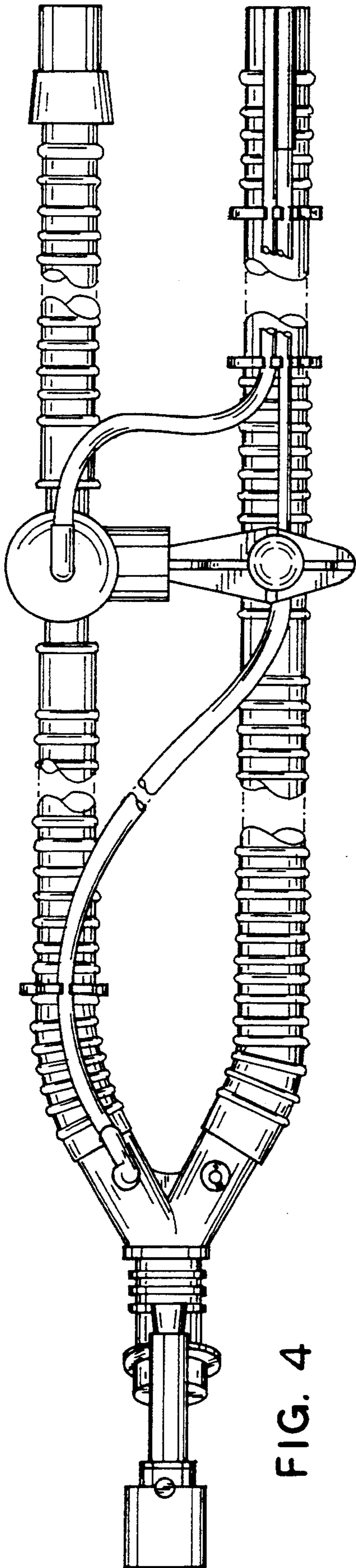


FIG. 4

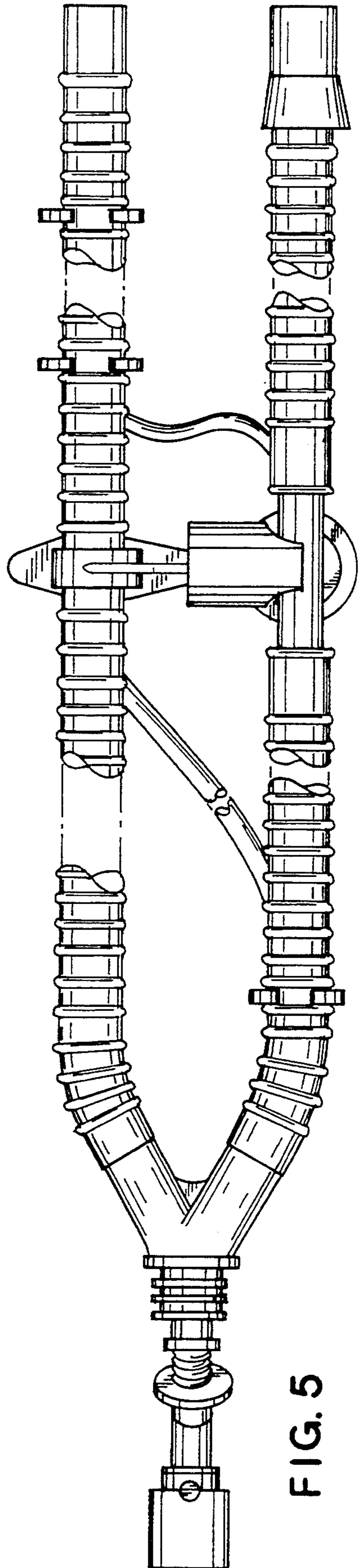


FIG. 5

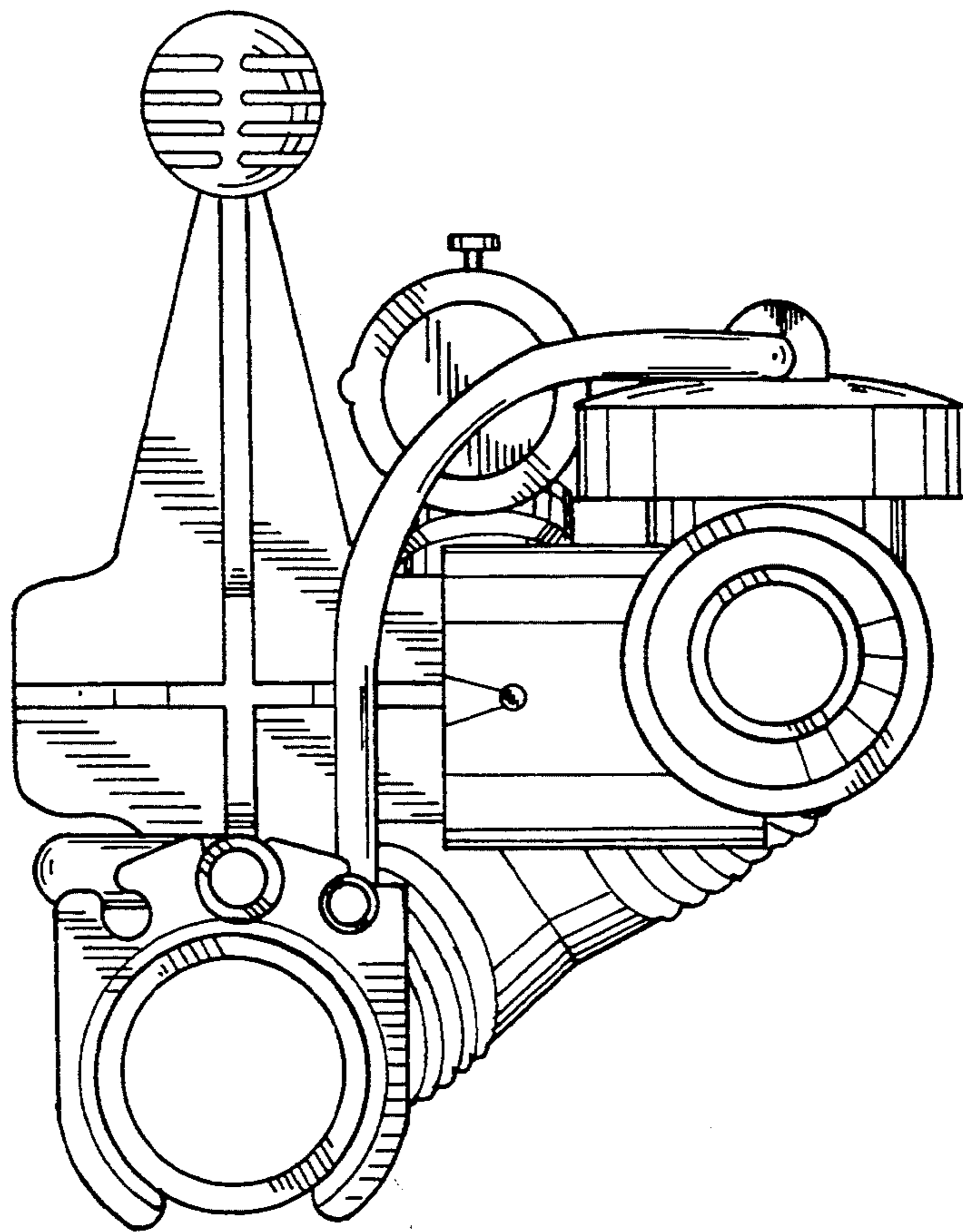


FIG. 6

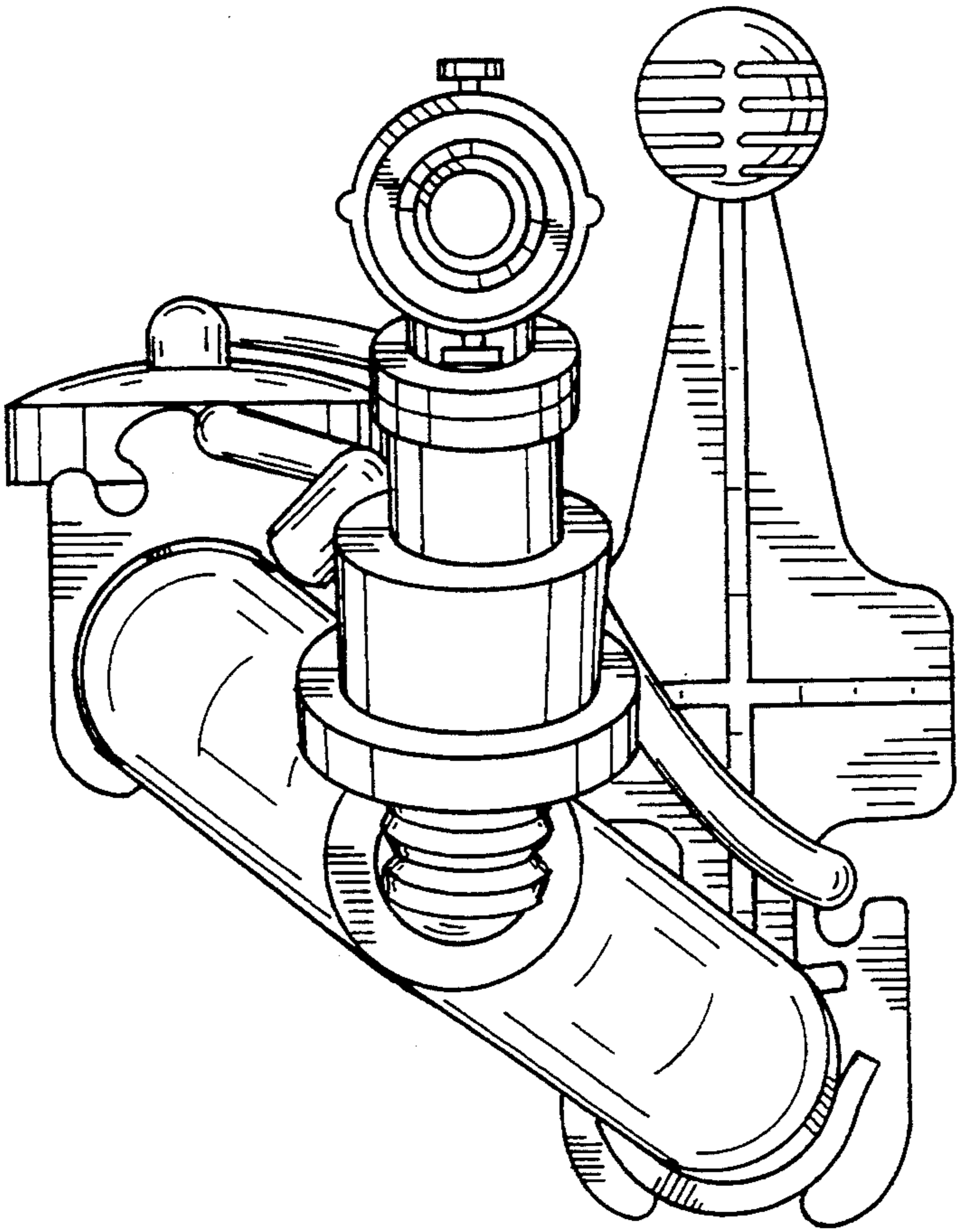


FIG. 7