



US00D350388S

United States Patent [19]

[11] Patent Number: **Des. 350,388**

Gottwald

[45] Date of Patent: **** Sep. 6, 1994**

[54] FAUCET

[75] Inventor: **Adolf Gottwald**, Iserlohn, Fed. Rep. of Germany

[73] Assignee: **Friedrich Grohe Aktiengesellschaft**, Hemer, Fed. Rep. of Germany

[**] Term: **14 Years**

[21] Appl. No.: **882,630**

[22] Filed: **May 13, 1992**

[30] **Foreign Application Priority Data**

Nov. 25, 1991 [DE] Fed. Rep. of Germany M9108292.7

[52] U.S. Cl. **D23/238**

[58] Field of Search 4/675-678;
16/110 R, 118, 121; D8/300, 307-311;
D23/238-243, 250-254

[56] **References Cited**

U.S. PATENT DOCUMENTS

D. 253,607 12/1979 Haug D23/238
D. 291,232 8/1987 Haug et al. D23/238

D. 291,234 8/1987 Bergmann et al. D23/238
D. 291,235 8/1987 Bergmann et al. D23/238
D. 301,162 5/1989 Obardorfer D23/238
D. 324,095 2/1992 Grohe D23/238
D. 324,723 3/1992 Chretien D23/238
D. 324,904 3/1992 Haug et al. D23/238
5,090,062 2/1992 Hochstrasser 4/678
5,213,268 5/1993 Gnauert et al. 4/677 X

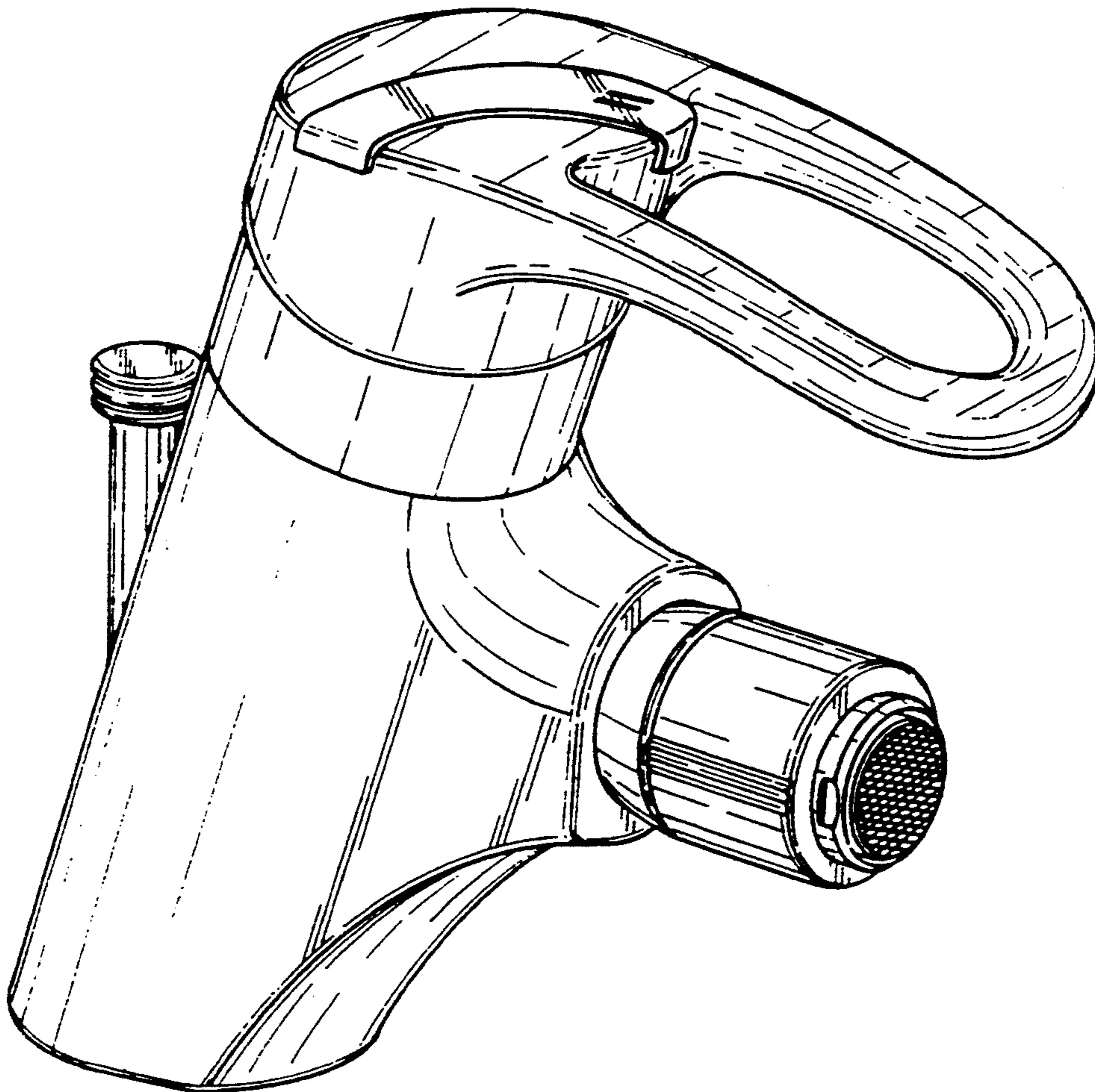
Primary Examiner—James R. Largen
Attorney, Agent, or Firm—Herbert Dubno; Ronald Lianides

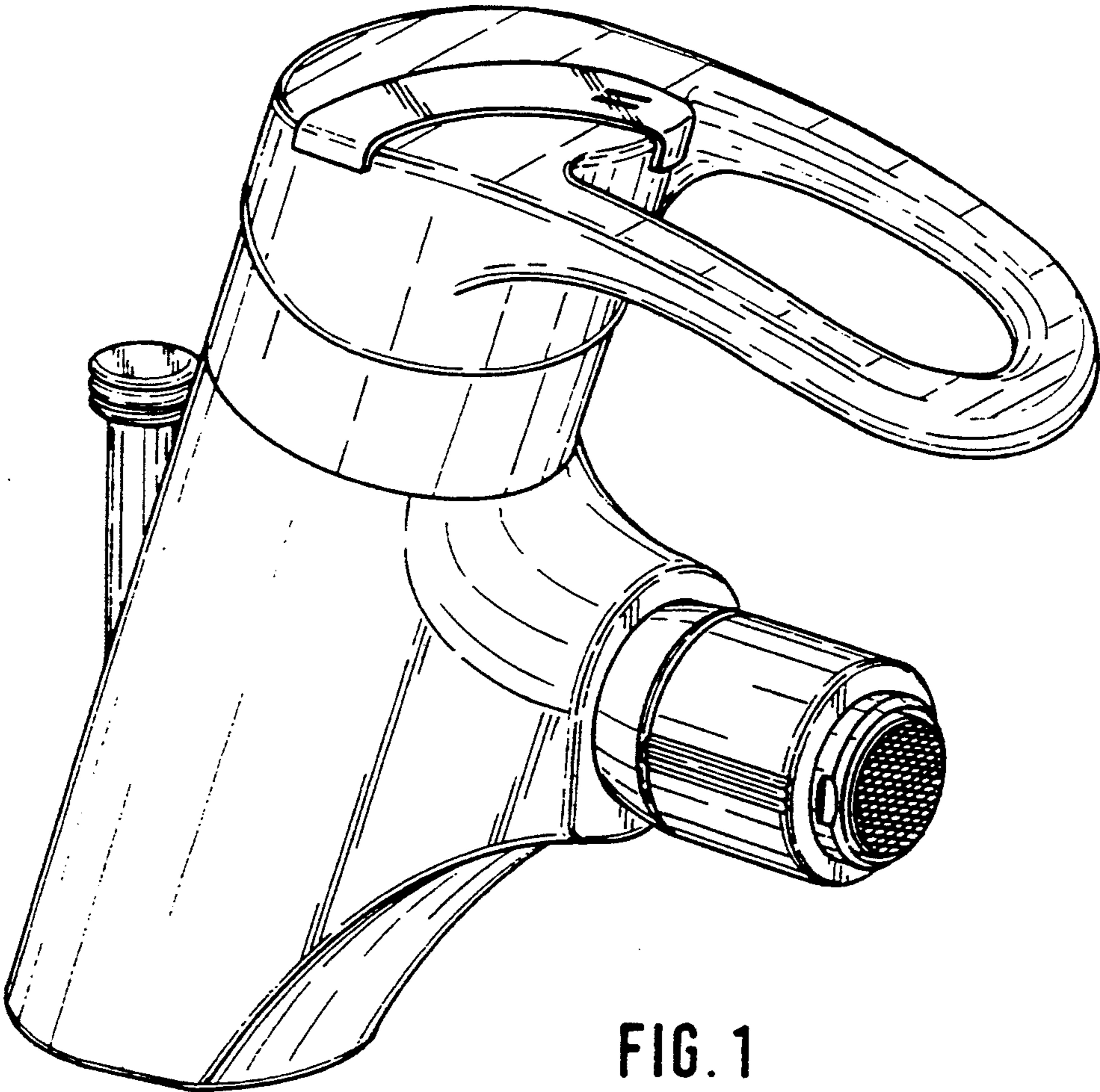
[57] **CLAIM**

The ornamental design for a faucet, as shown.

DESCRIPTION

FIG. 1 is a perspective view taken from the top, front and left side of a faucet showing my new design; FIG. 2 is a left side elevational view thereof; FIG. 3 is a top view thereof; FIG. 4 is a right side elevational view thereof; FIG. 5 is a bottom view thereof; FIG. 6 is a rear elevational view thereof; and, FIG. 7 is a front elevational view thereof.





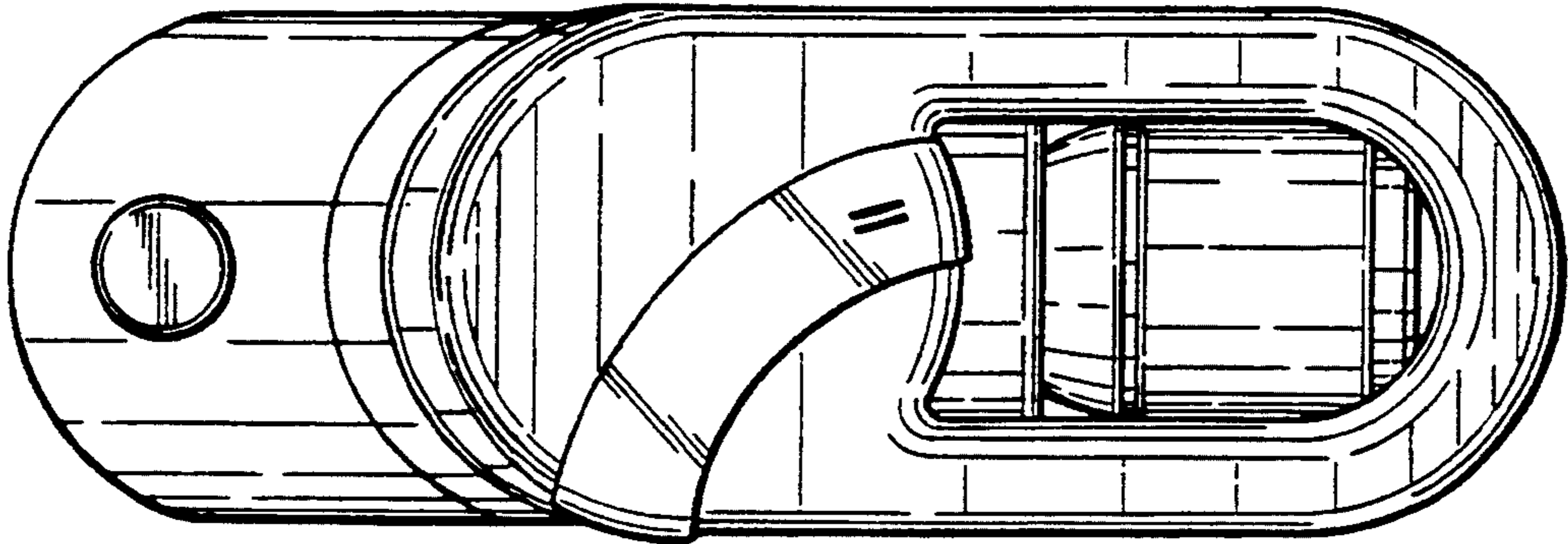


FIG. 3

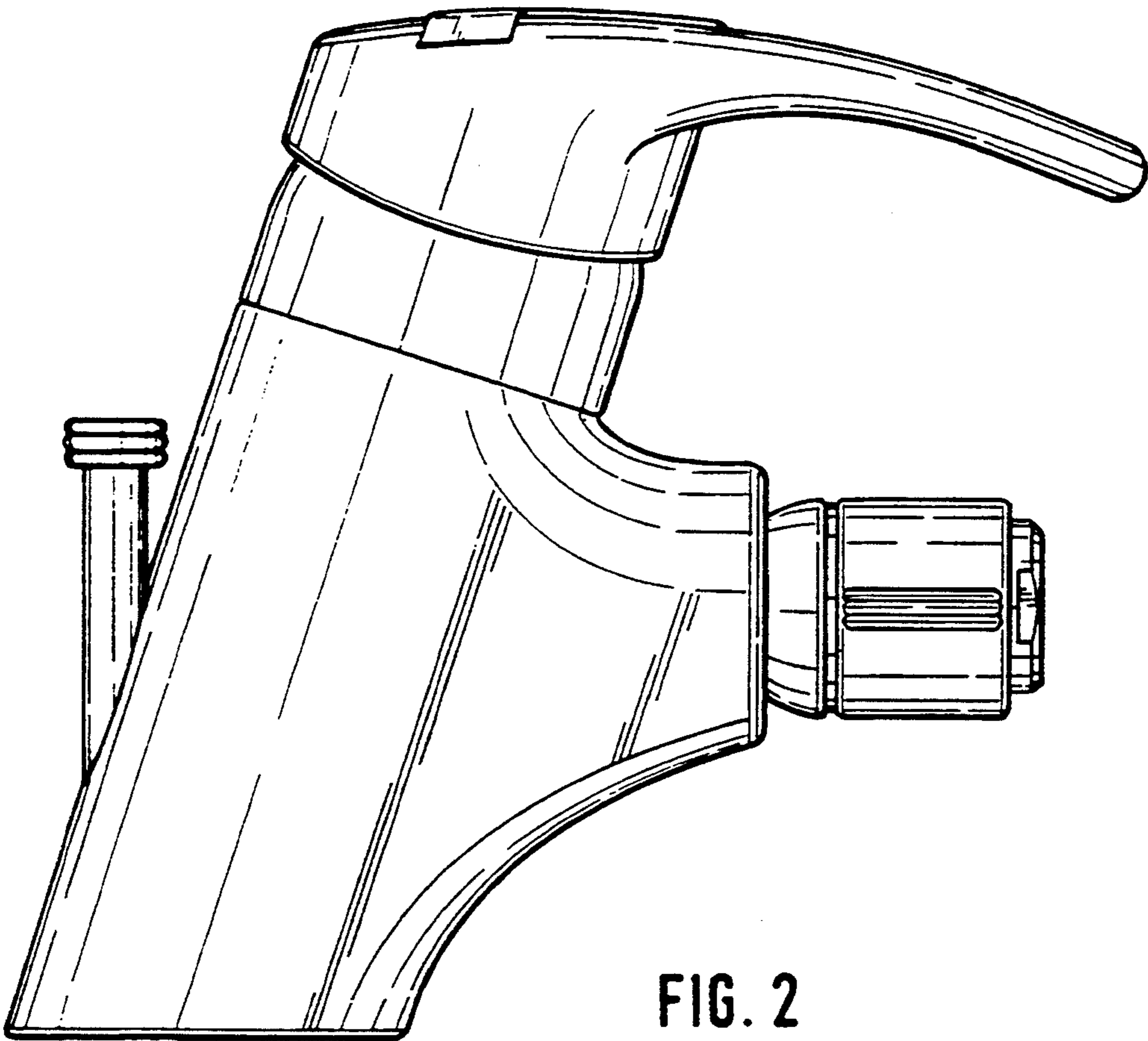


FIG. 2

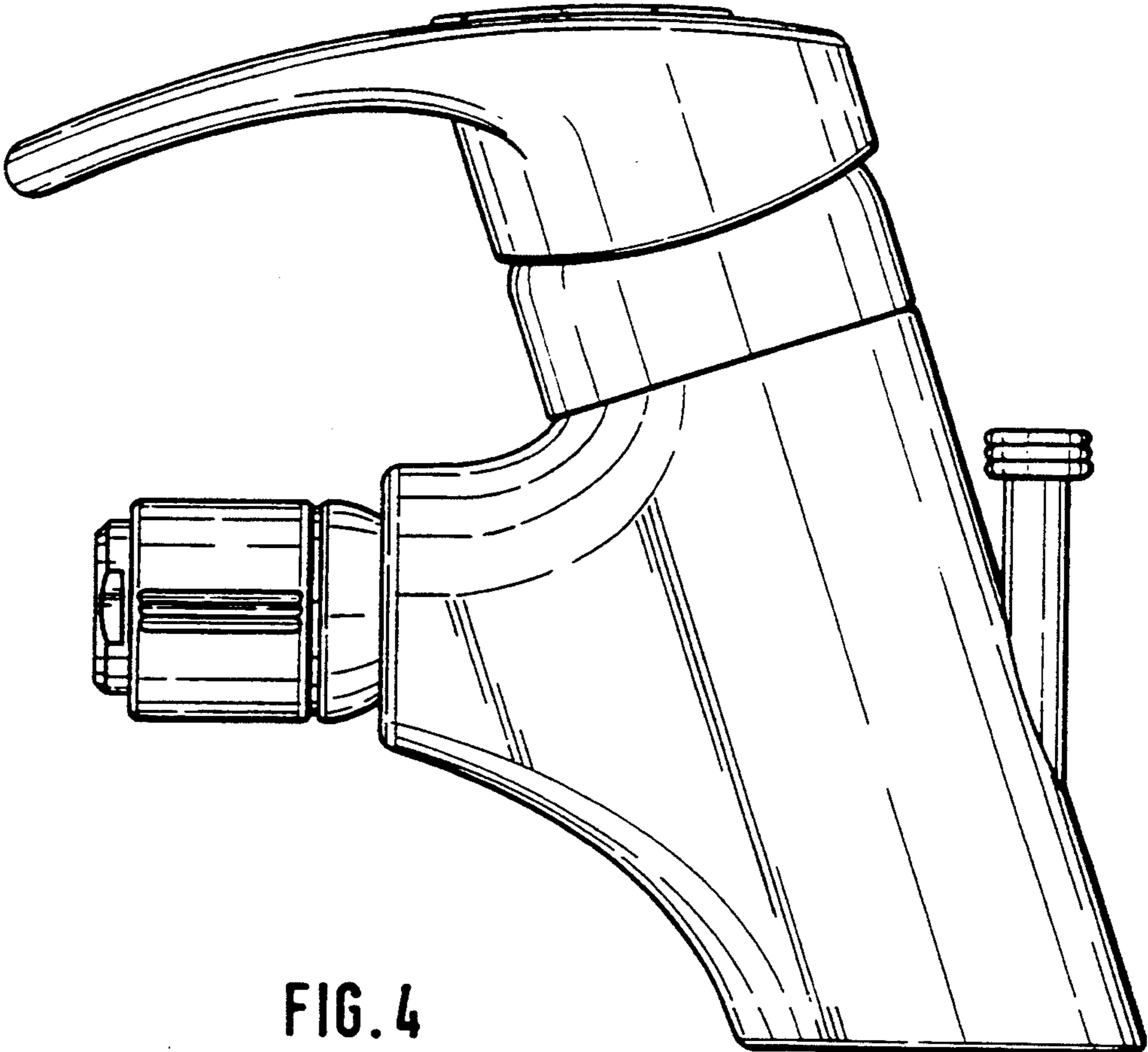


FIG. 4

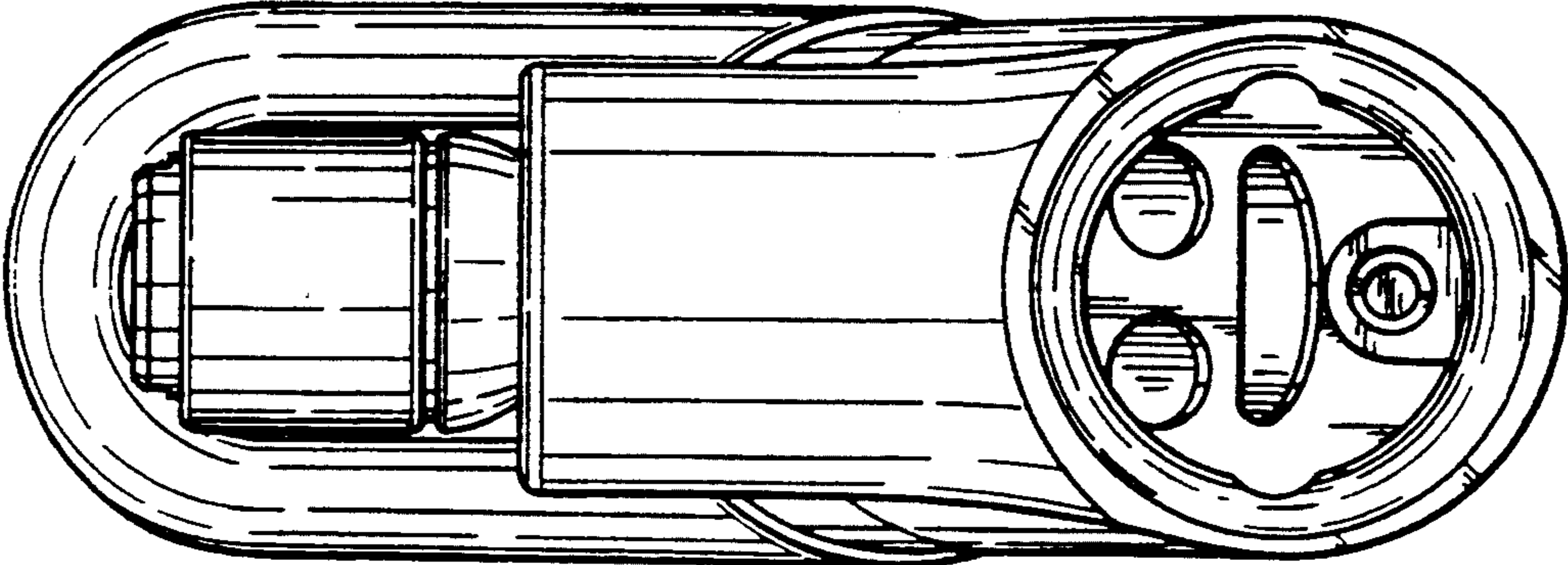


FIG. 5

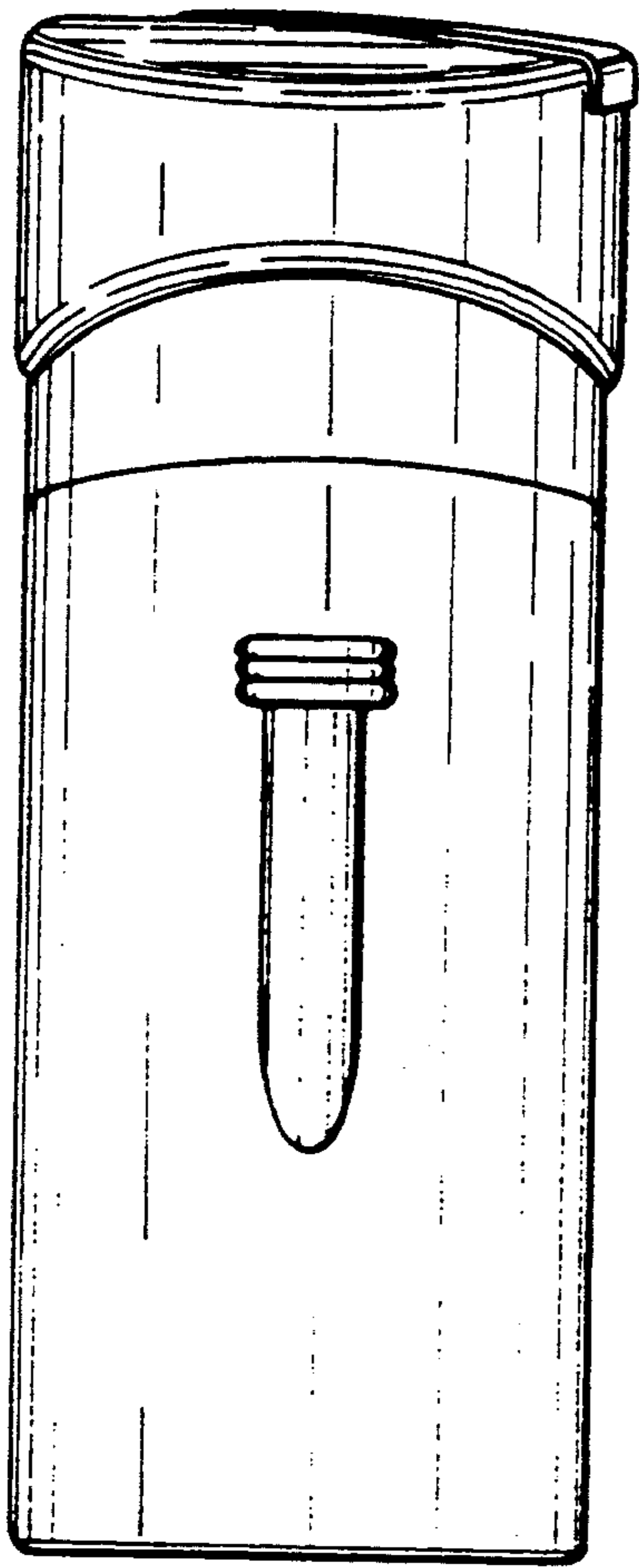


FIG. 6

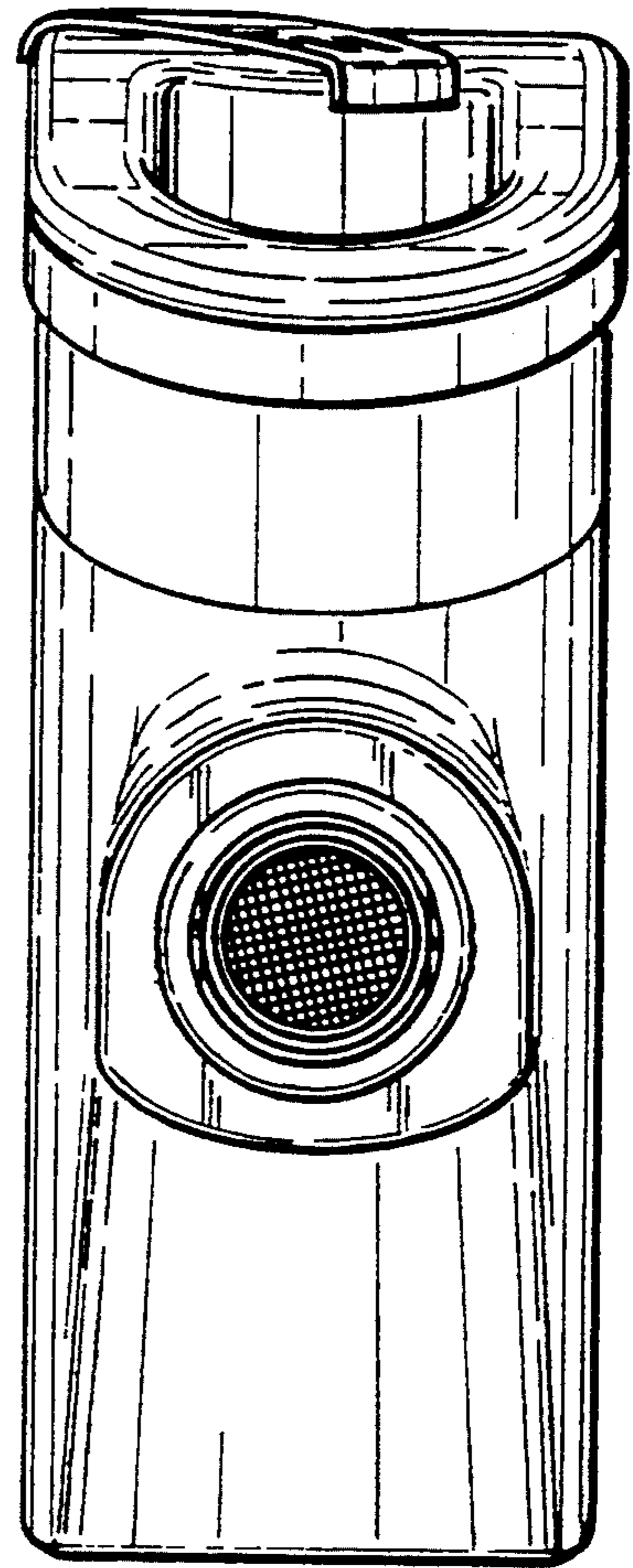


FIG. 7