



US00D350384S

# United States Patent [19]

[11] Patent Number: **Des. 350,384**

Bassett et al.

[45] Date of Patent: **\*\* Sep. 6, 1994**

[54] **PURIFIED WATER DISPENSER**

[56] **References Cited**

[75] Inventors: **Laurence W. Bassett**, Westminster, Calif.; **Robert A. Slovak**, Incline Village, Nev.; **David R. Spears**, Laguna Niguel, Calif.

**U.S. PATENT DOCUMENTS**

D. 235,015	4/1975	Stern .....	D23/209
D. 278,650	4/1985	Slovak et al. ....	D23/209
D. 295,888	5/1988	Schulein et al. ....	D23/207
D. 313,642	1/1991	Canano et al. ....	D23/207
4,842,724	6/1989	Bray et al. ....	210/416.3 X

[73] Assignee: **Water Factory Systems**, Irvine, Calif.

*Primary Examiner*—Wallace R. Burke  
*Assistant Examiner*—M. H. Tung  
*Attorney, Agent, or Firm*—Leonard Tachner

[ \* ] Notice: The portion of the term of this patent subsequent to Apr. 6, 2004 has been disclaimed.

[\*\*] Term: **14 Years**

[57] **CLAIM**

The ornamental design for a purified water dispenser, as shown and described.

[21] Appl. No.: **493,856**

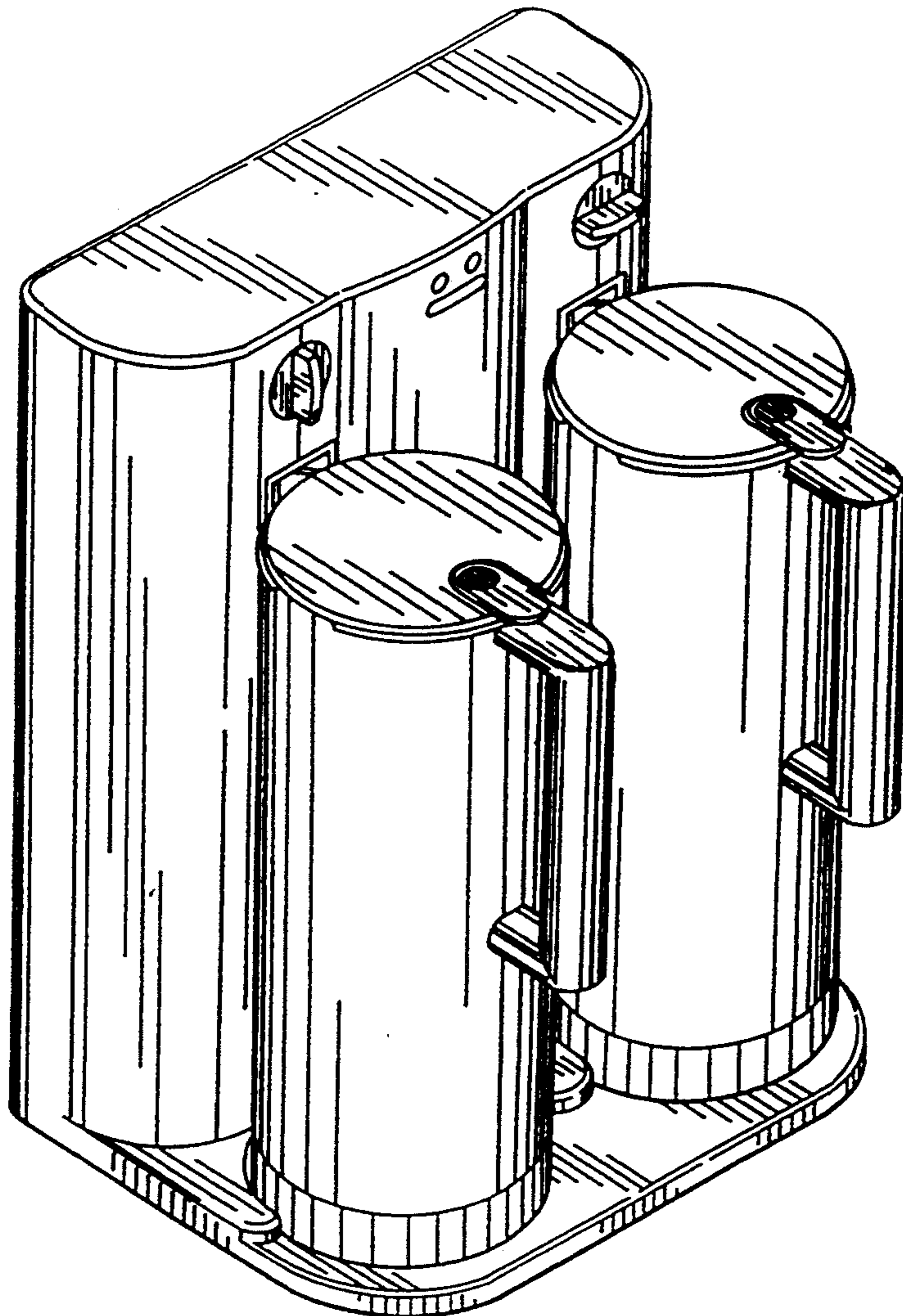
**DESCRIPTION**

[22] Filed: **Mar. 14, 1990**

[52] U.S. Cl. .... **D23/207**

[58] Field of Search ..... 210/136, 205-206, 210/231, 241, 244-245, 257.1-257.2, 258, 260-261, 269, 275, 282, 288-290, 295, 321.6, 321.78, 416.3, 443-449; D23/200, 207-210

FIG. 1 is a perspective view of a purified water dispenser showing our new design; FIG. 2 is a top plan view thereof; FIG. 3 is a front elevational view thereof; and, FIG. 4 is a right side elevational view thereof, the left side being a mirror image.



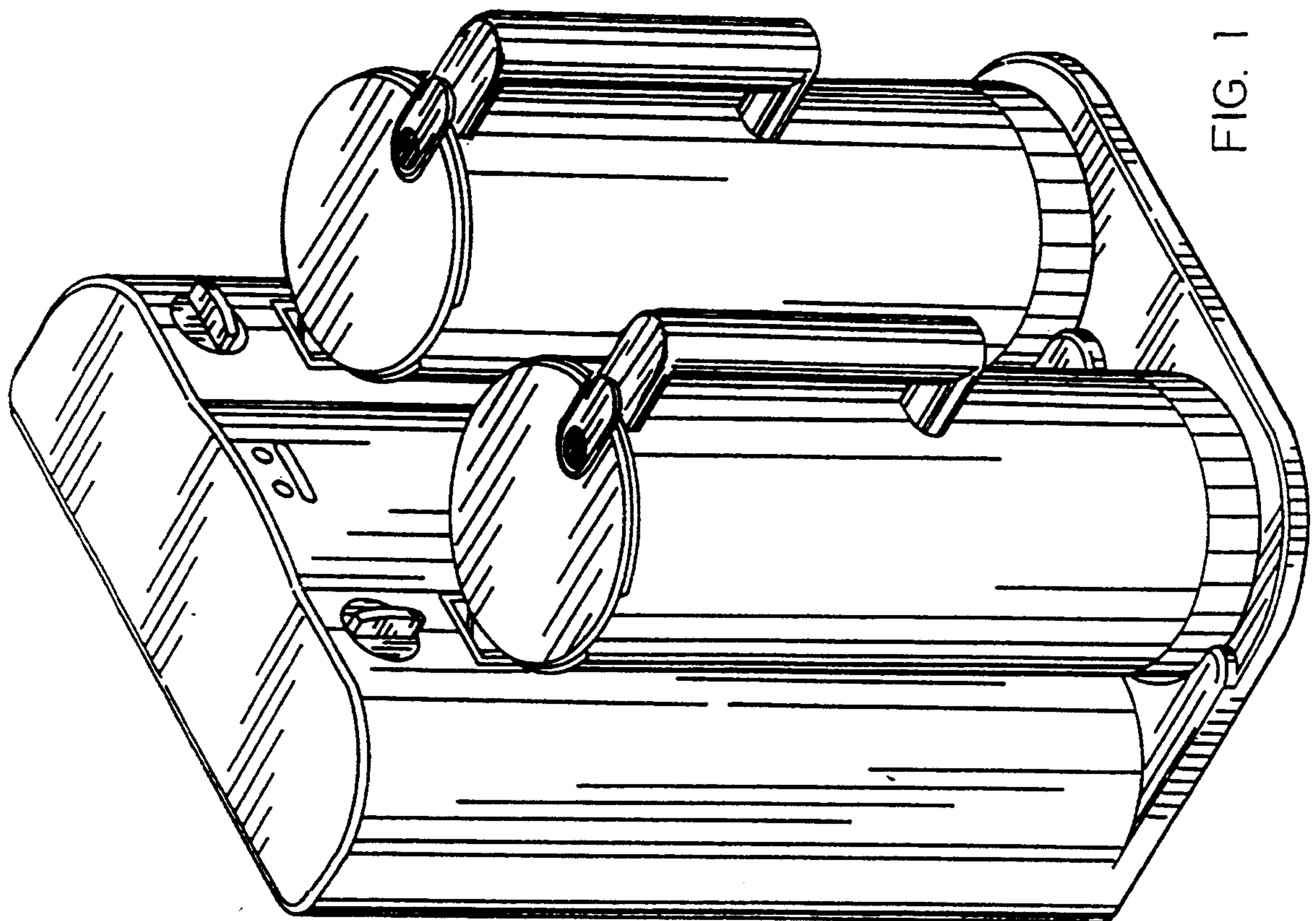


FIG. 1

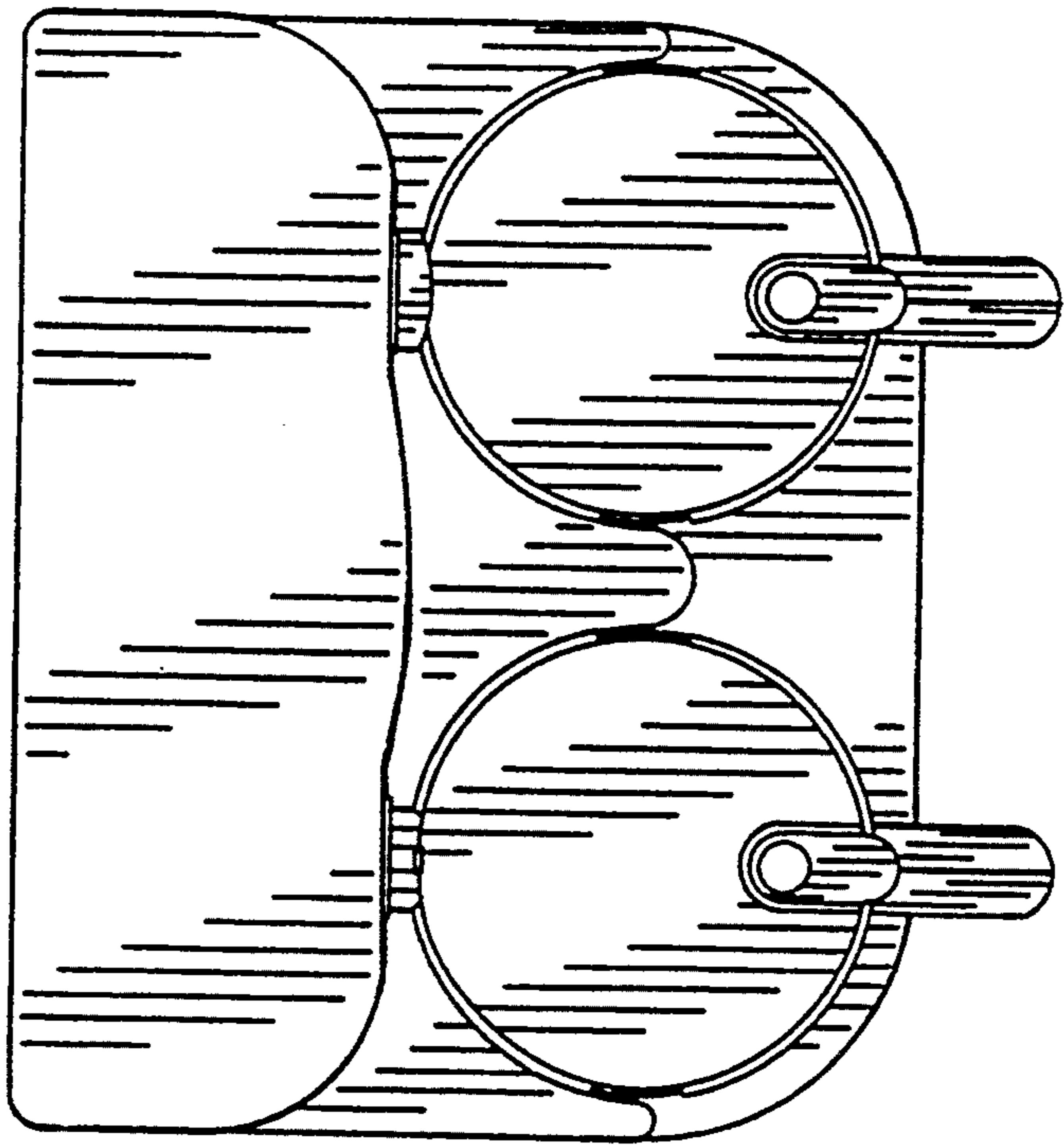


FIG. 2

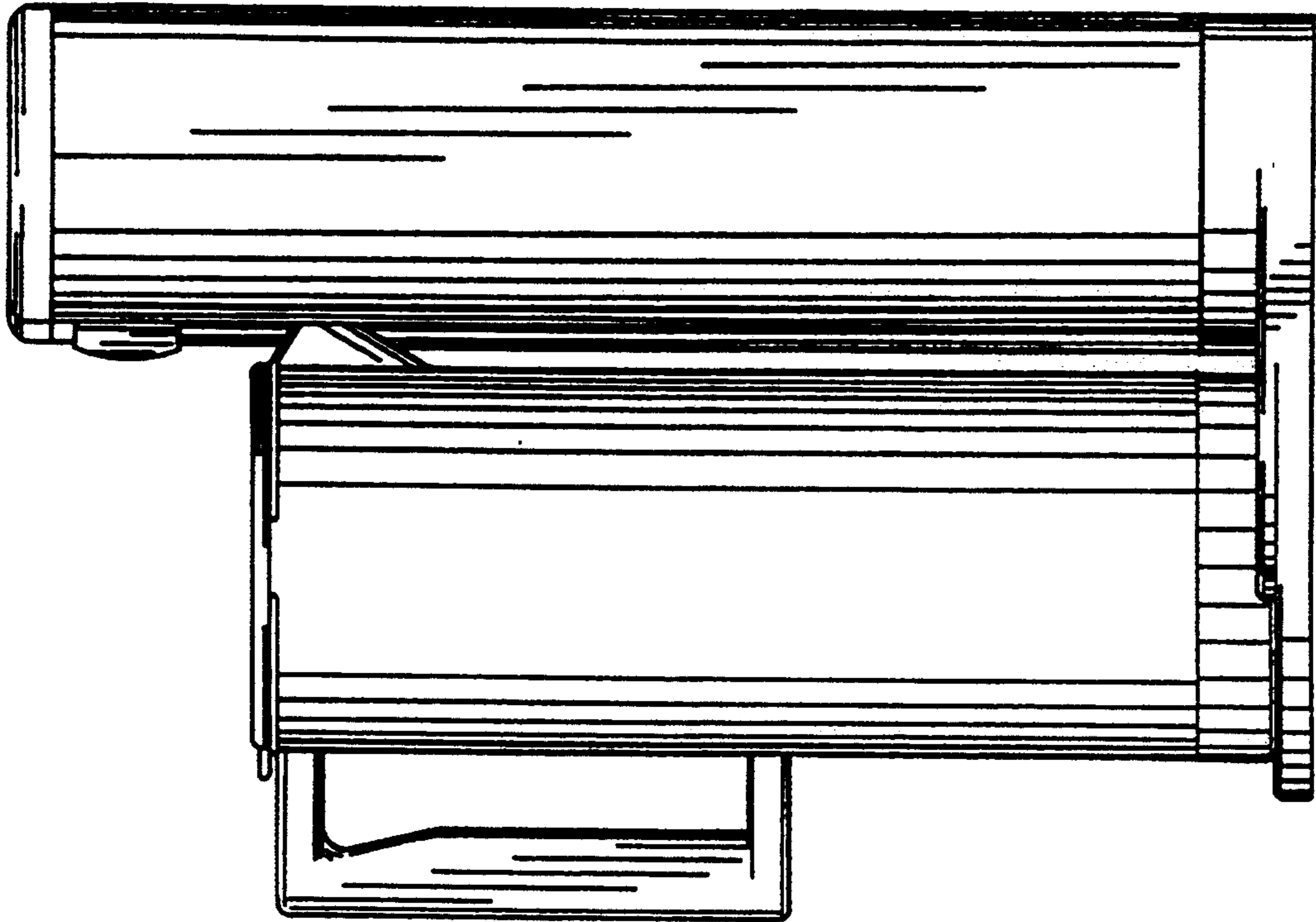


FIG. 4

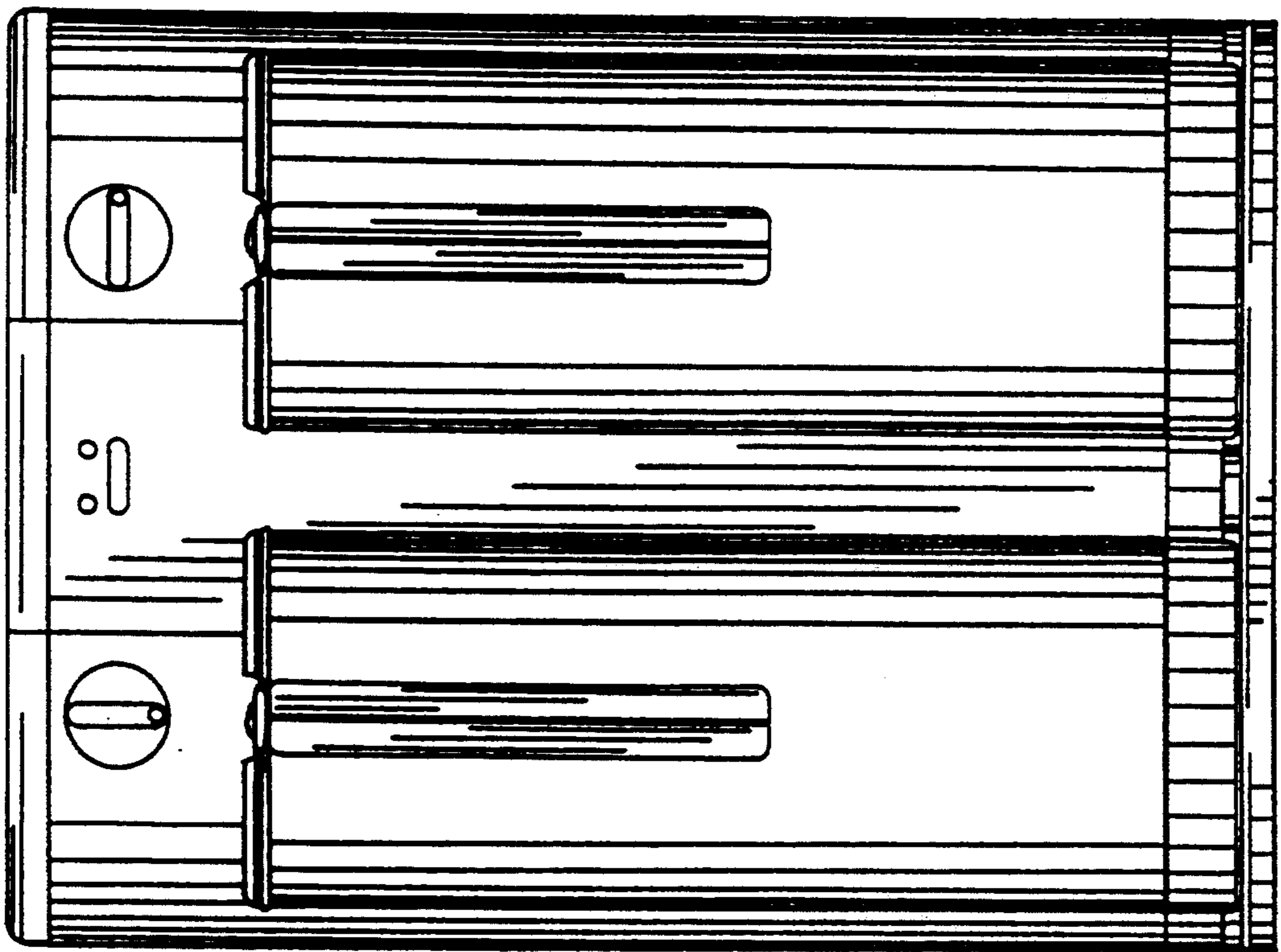


FIG. 3