



US00D350381S

# United States Patent [19]

Coddington, Jr. et al.

[11] Patent Number: **Des. 350,381**

[45] Date of Patent: **\*\* Sep. 6, 1994**

[54] CHILDREN'S SWING

3,712,614 1/1973 Sherman et al. .... 472/118  
4,431,183 2/1984 Reimann ..... 472/118 X

[75] Inventors: **Russell J. Coddington, Jr., Everett;**  
**Charles L. Voytko, Johnstown, both**  
**of Pa.**

[73] Assignee: **Hedstrom Corporation, Bedford, Pa.**

[\*\*] Term: **14 Years**

[21] Appl. No.: **1,659**

[22] Filed: **Nov. 19, 1992**

[52] U.S. Cl. .... **D21/246**

[58] Field of Search ..... 472/118-125;  
D21/246, 247, 240, 243, 242

[56] **References Cited**

**U.S. PATENT DOCUMENTS**

D. 214,571	7/1969	Cohn .....	D21/246
D. 221,877	9/1971	Richardson .....	D21/246
D. 337,806	7/1993	Nolan .....	D21/246
1,674,899	6/1928	Haberman .....	D21/246 X
2,059,777	11/1936	Denny .....	D21/246 X

**OTHER PUBLICATIONS**

Child Life Play Specialities Inc, 1979 p. 3.  
Sears Cat. Fall & Winter of 1959, p. 1277 Item B.

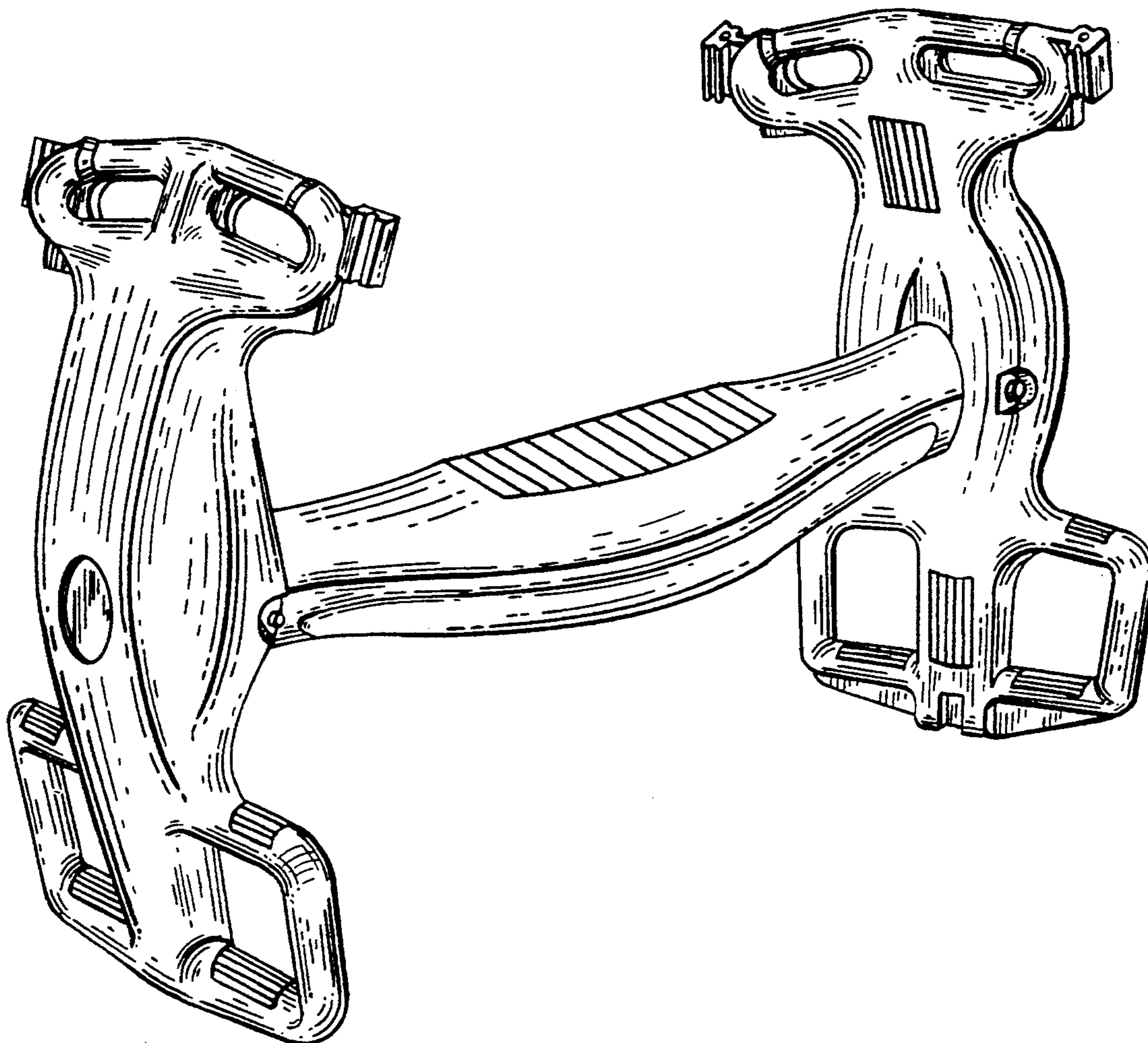
*Primary Examiner*—Bernard Ansher  
*Assistant Examiner*—Prabhakar G. Deshmukh  
*Attorney, Agent, or Firm*—Cesari and McKenna

[57] **CLAIM**

The ornamental design for a children's swing, as shown and described.

**DESCRIPTION**

FIG. 1 is a left front perspective view of a children's swing showing our new design;  
FIG. 2 is a rear elevational view thereof, the front elevational view being a mirror image thereof;  
FIG. 3 is a top plan view thereof;  
FIG. 4 is a right side elevational view thereof, the left side elevational view being a mirror image thereof, and,  
FIG. 5 is a bottom plan view thereof.



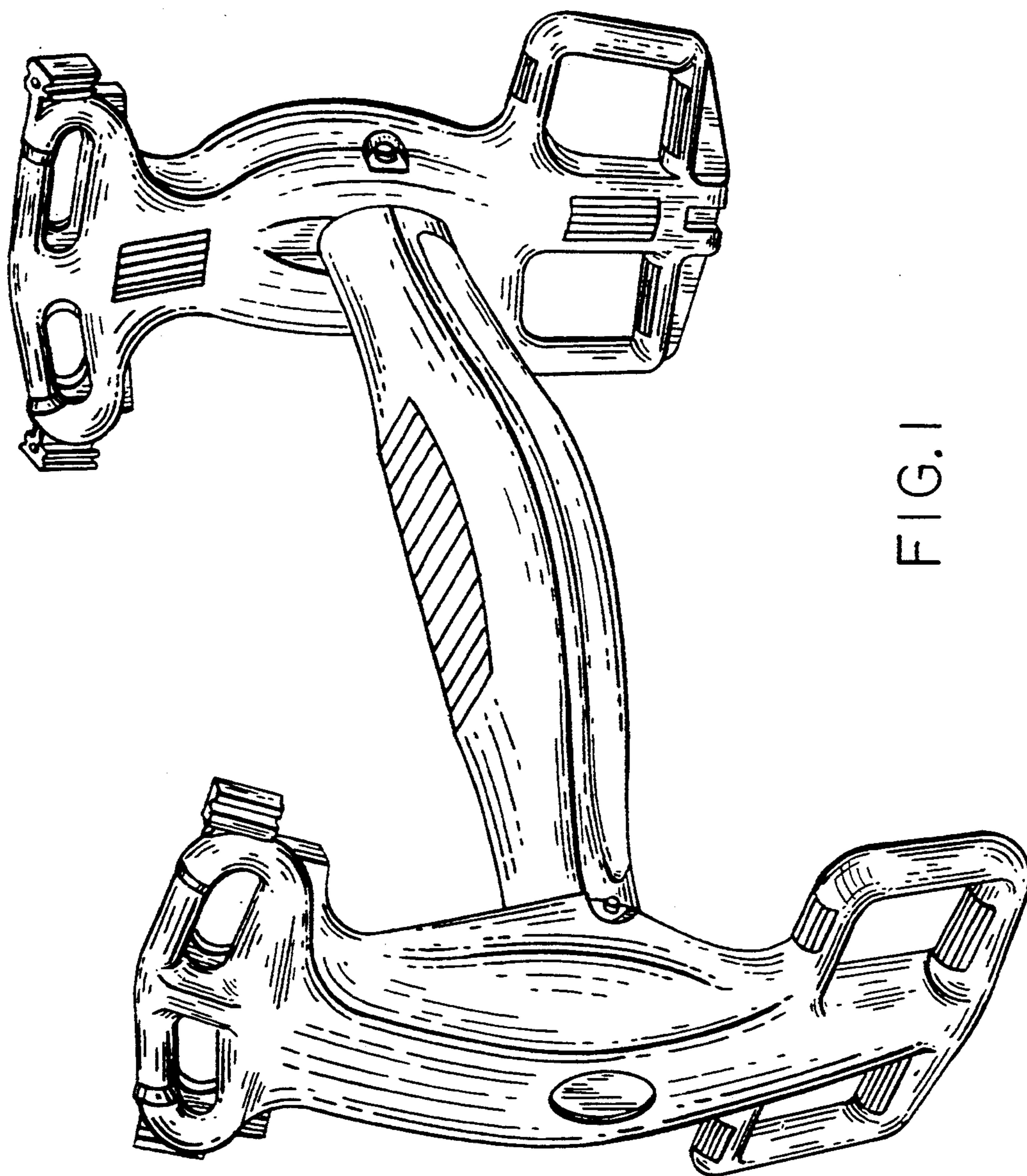


FIG. 1

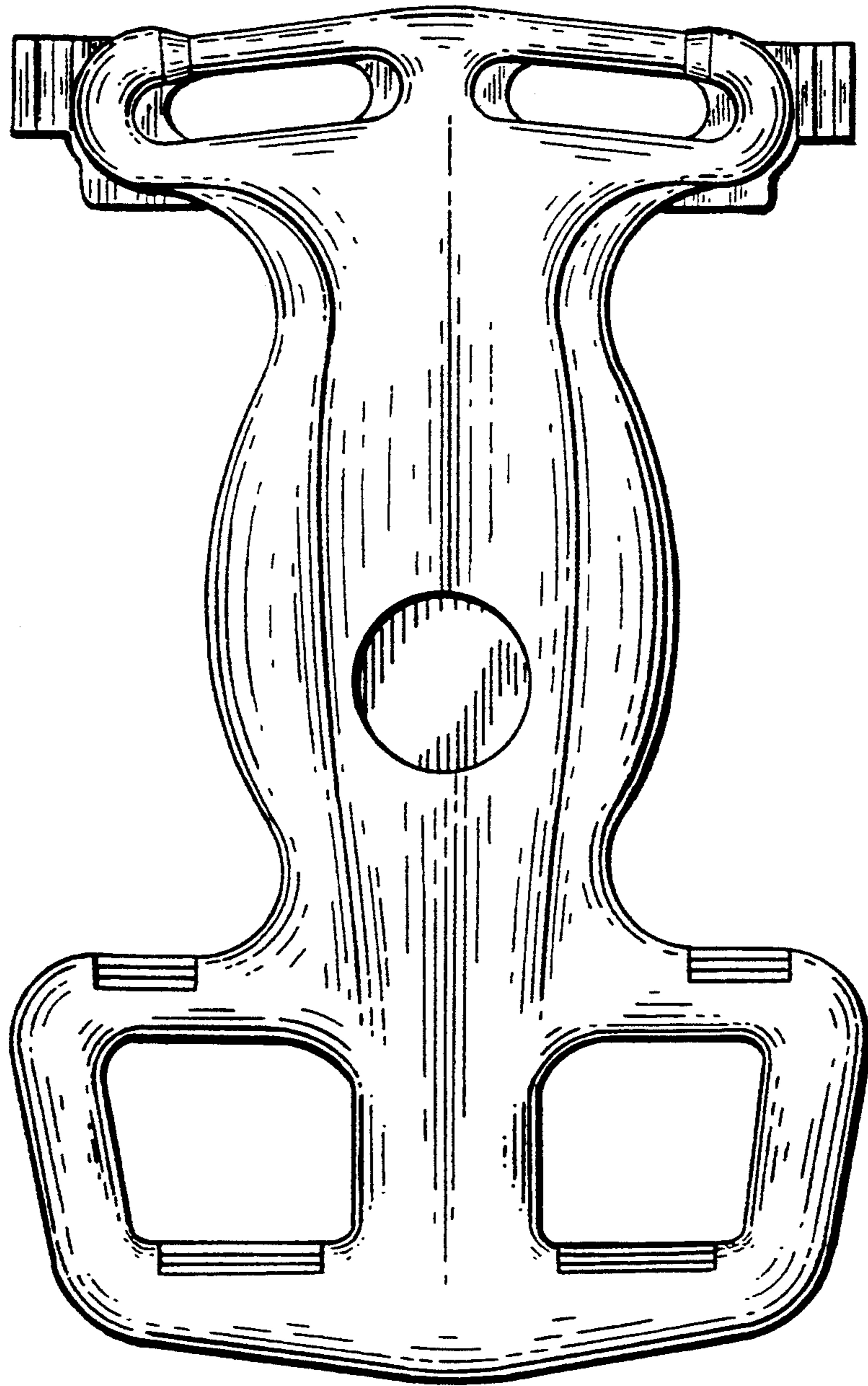


FIG. 2



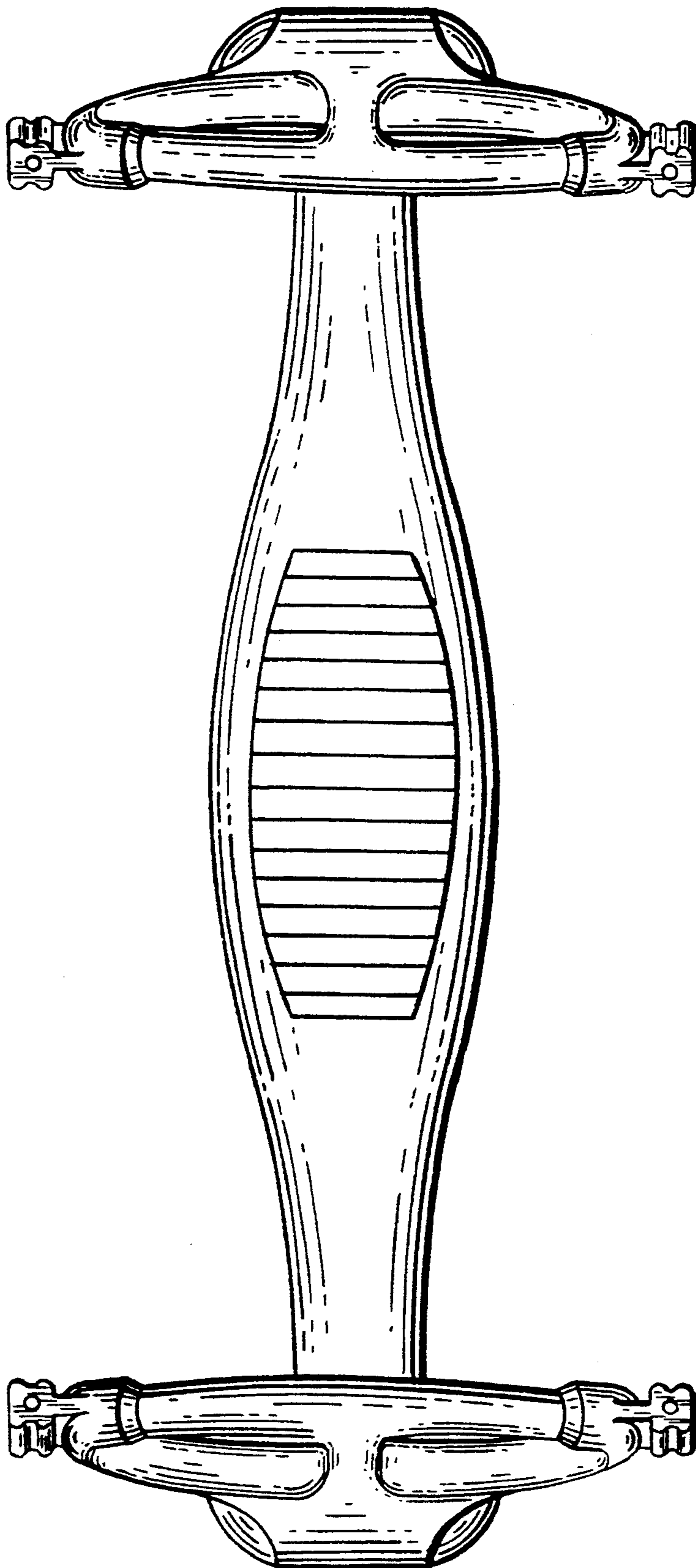


FIG. 3

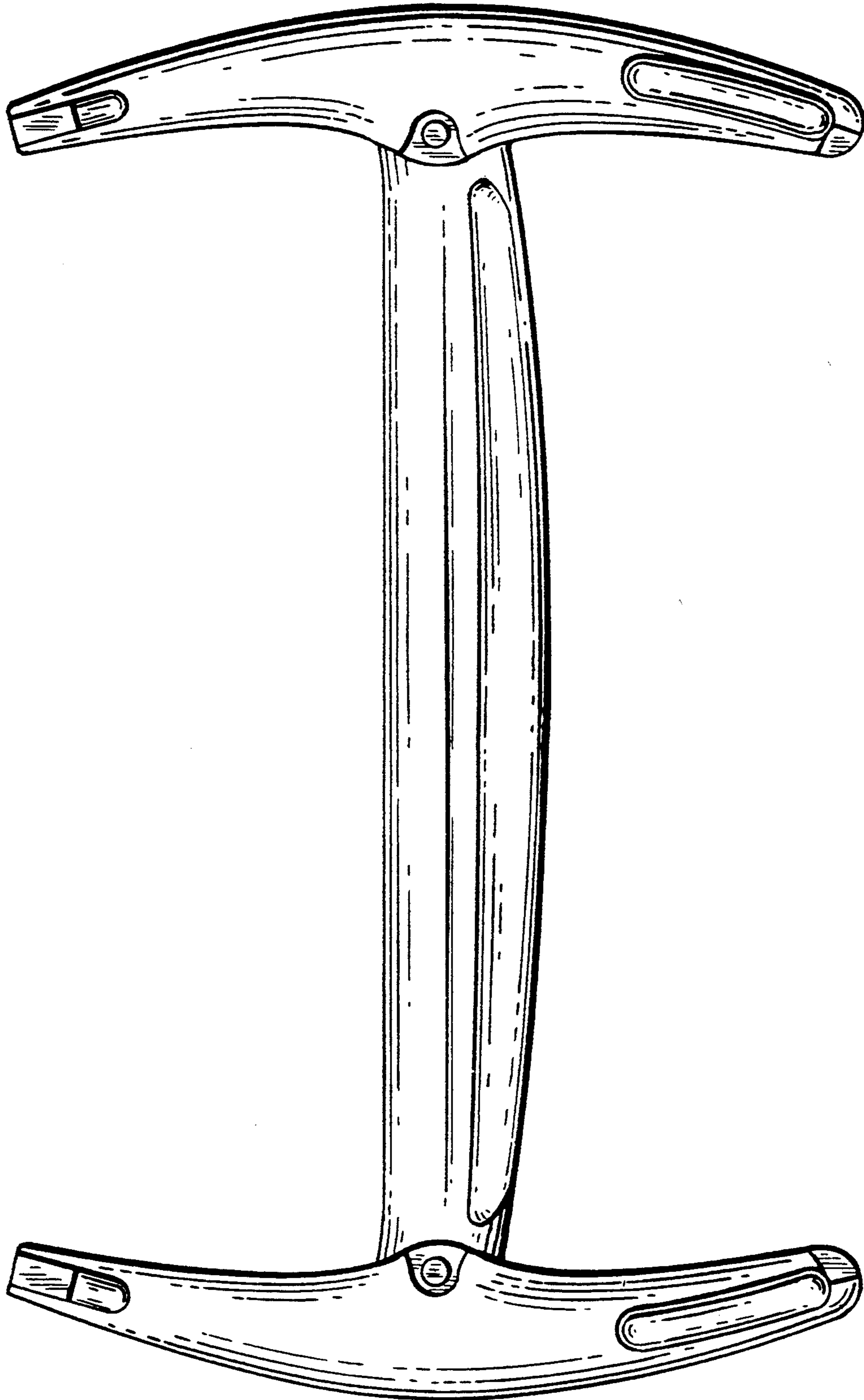


FIG. 4

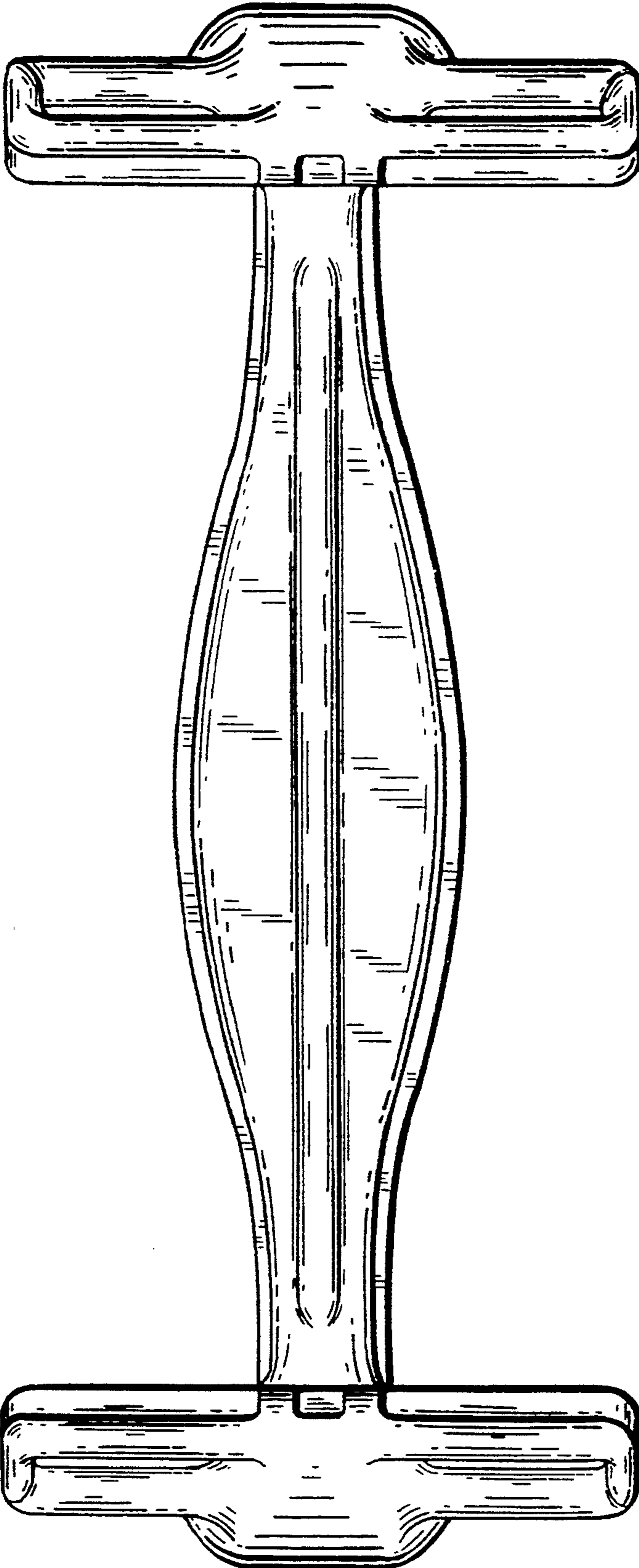


FIG. 5