



US00D350379S

United States Patent [19]

Kirchner

[11] Patent Number: **Des. 350,379**

[45] Date of Patent: **** Sep. 6, 1994**

[54] **FOREHEAD ENGAGING SWIMMING SNORKEL**

[76] Inventor: **Kris W. Kirchner**, 2810 David Dr.,
Bloomington, Ind. 47401

[**] Term: **14 Years**

[21] Appl. No.: **12,114**

[22] Filed: **Aug. 23, 1993**

[52] U.S. Cl. **D24/110.5**

[58] Field of Search 128/201.11, 205.24,
128/207.16; D21/236, 237; D29/7

[56] **References Cited**

U.S. PATENT DOCUMENTS

38,505	5/1863	Scholfield .	
690,663	1/1902	Pratt .	
3,653,086	4/1972	Gongkler .	
3,814,090	6/1974	Hill .	
4,230,106	10/1980	Gerslin et al. .	
4,638,410	1/1987	Barker .	
4,910,806	3/1990	Baker et al.	128/201.11
5,020,191	6/1991	Uke	128/201.11

5,199,421 4/1993 Figgiani et al. 128/201.11

Primary Examiner—Kay H. Chin
Attorney, Agent, or Firm—Richard C. Litman

[57] **CLAIM**

The ornamental design for a forehead engaging swimming snorkel, as shown and described.

DESCRIPTION

FIG. 1 is an environmental perspective view of a forehead engaging swimming snorkel showing my new design;

FIG. 2 is a front elevational view thereof;

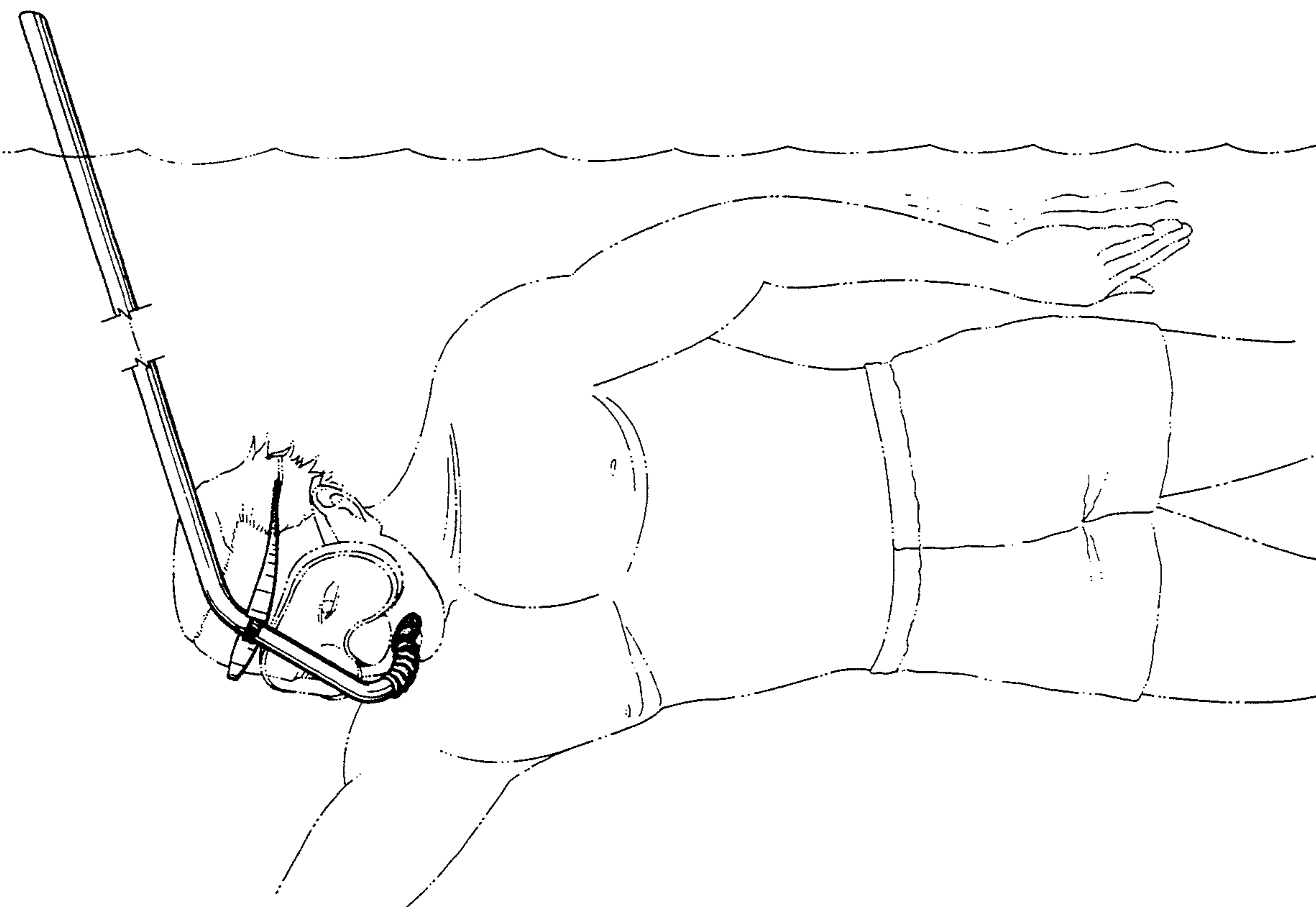
FIG. 3 is a right side elevational view, with the left side being a mirror image thereof;

FIG. 4 is a top view thereof;

FIG. 5 is a bottom view thereof; and,

FIG. 6 is a rear elevational view.

The broken line showing of a swimmer in water in FIG. 1, an elastic head band in FIGS. 1-6 and a swimmer and mask in FIG. 2 is for illustrative purposes only and forms no part of the claimed design. The snorkel tube is of indefinite length as shown in broken lines.



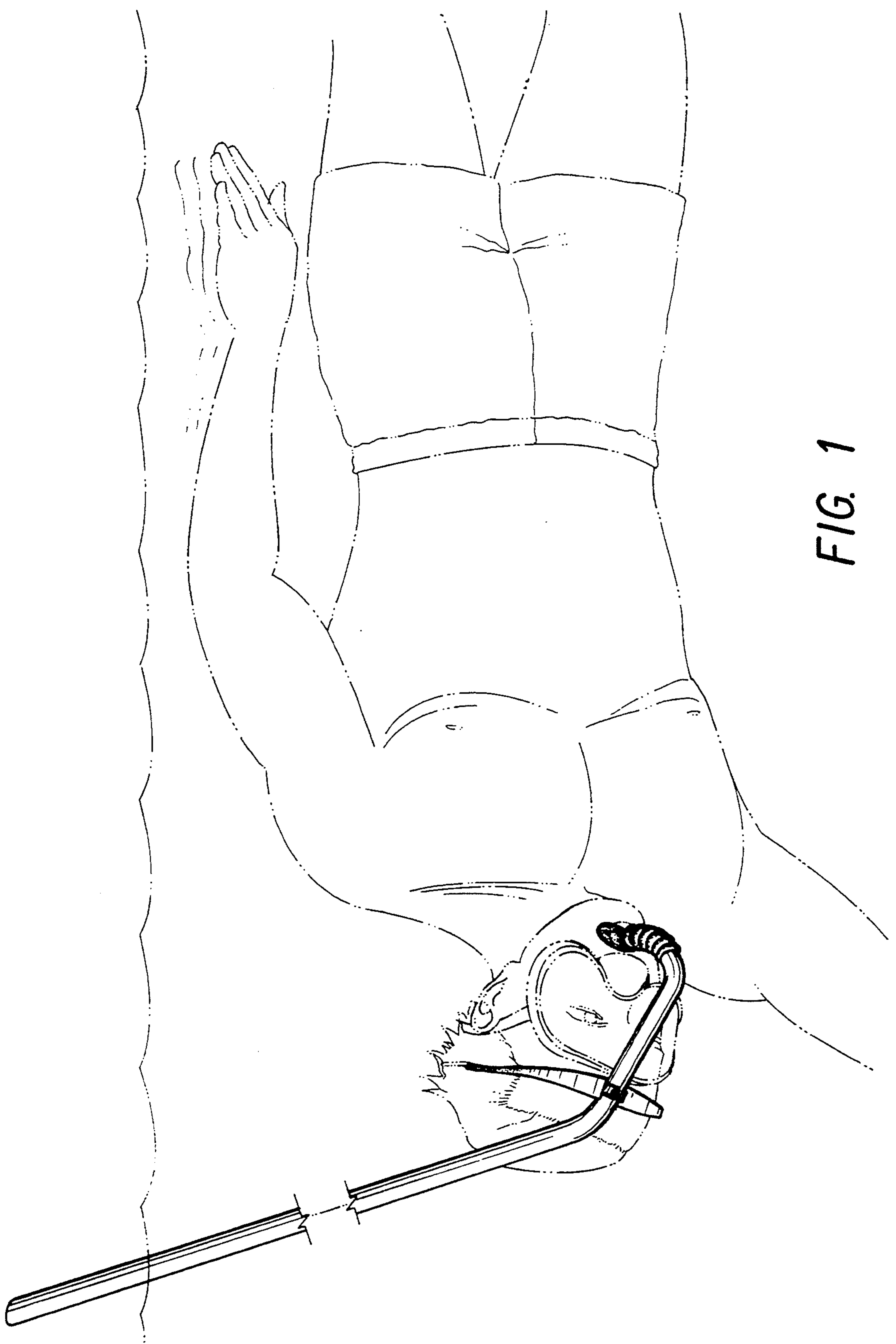


FIG. 1

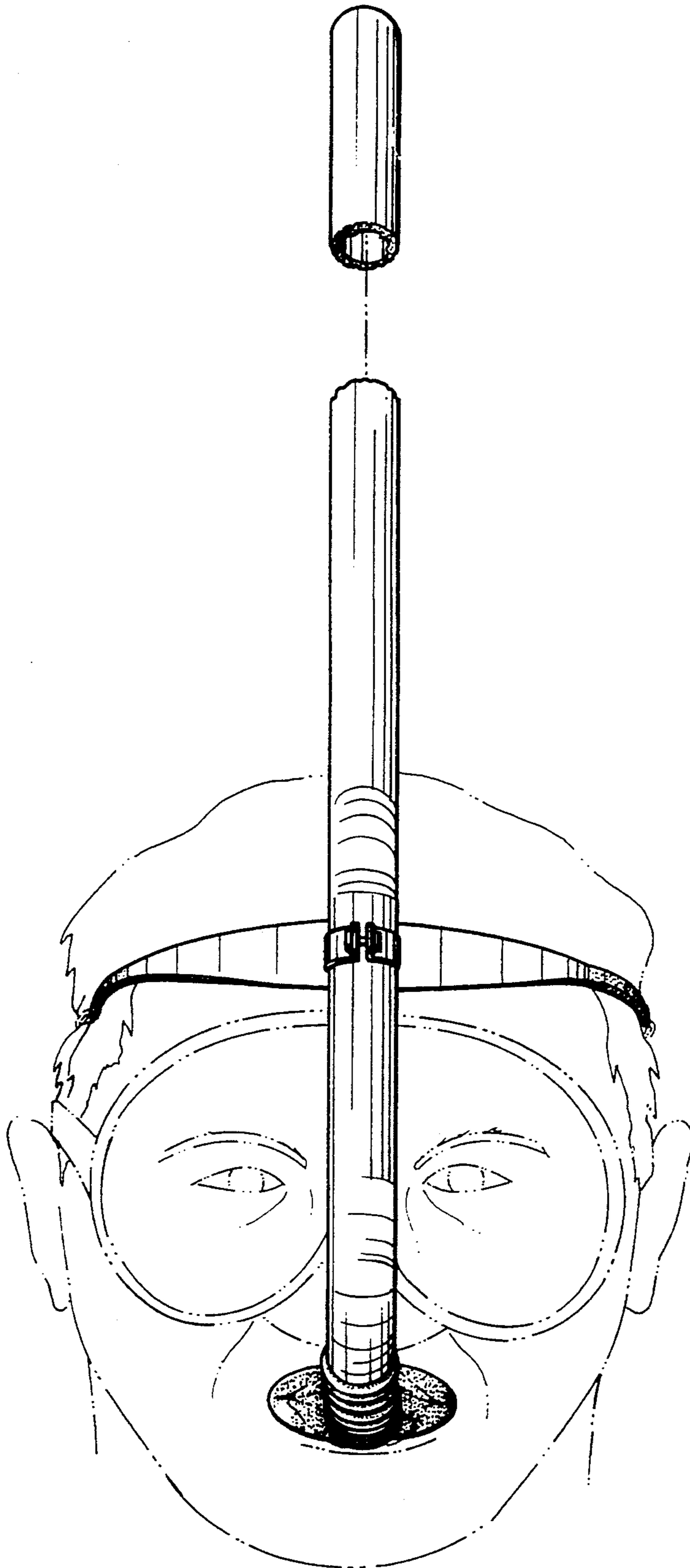


FIG. 2

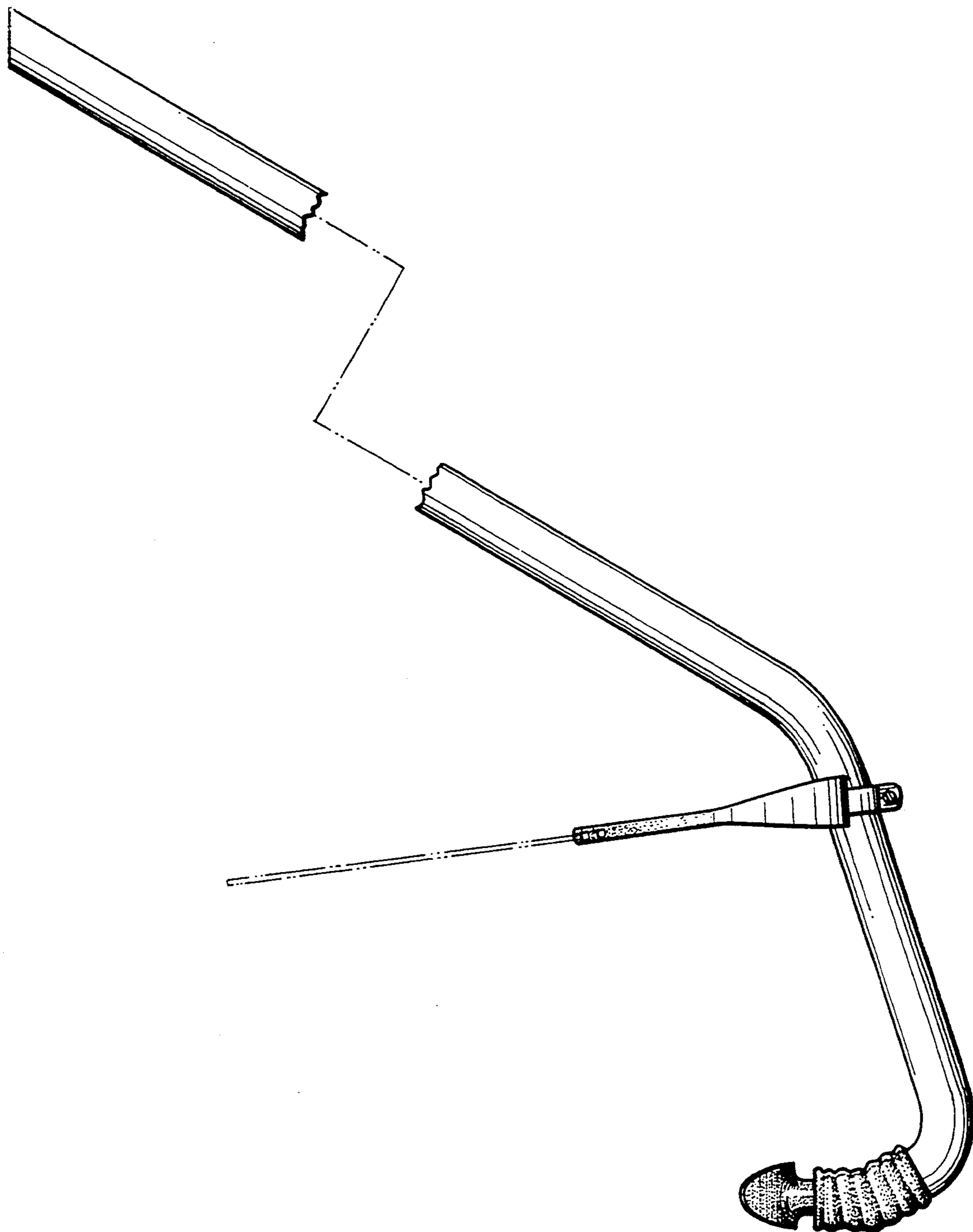


FIG. 3

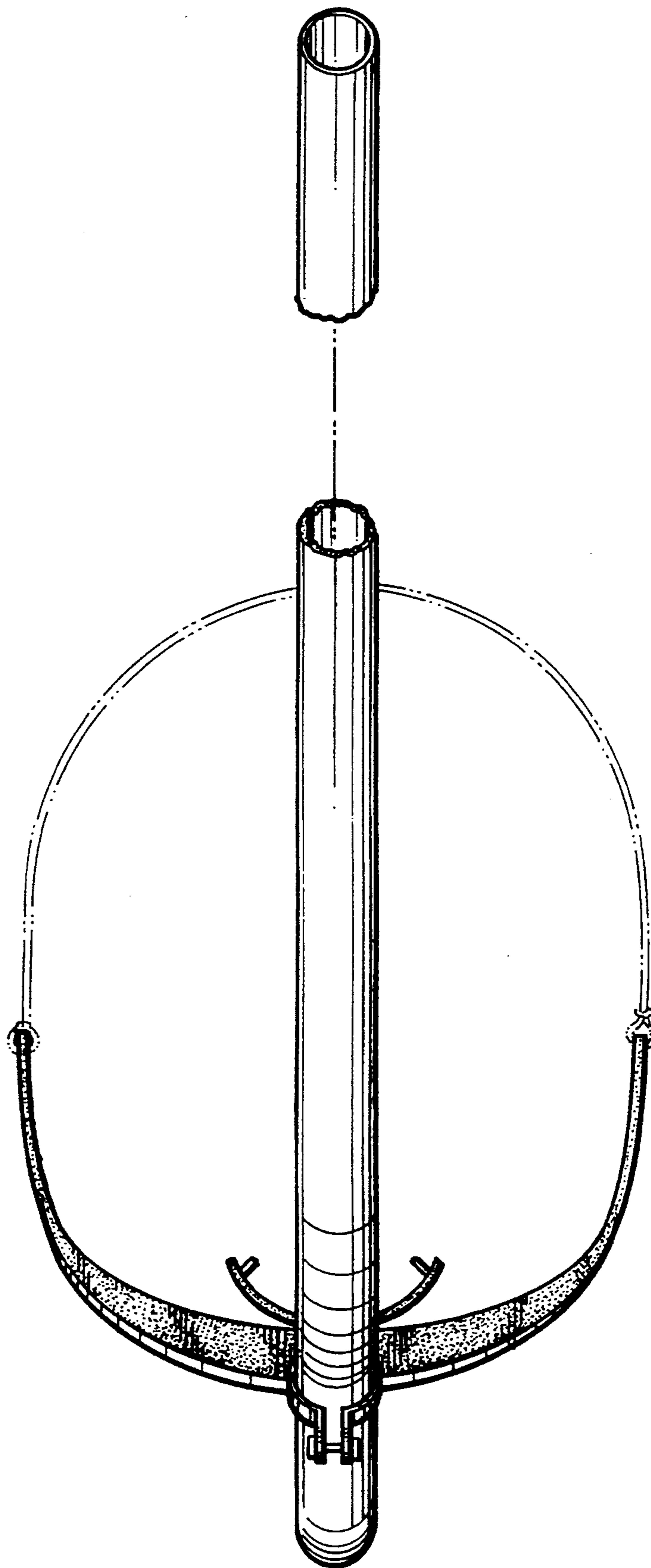


FIG. 4

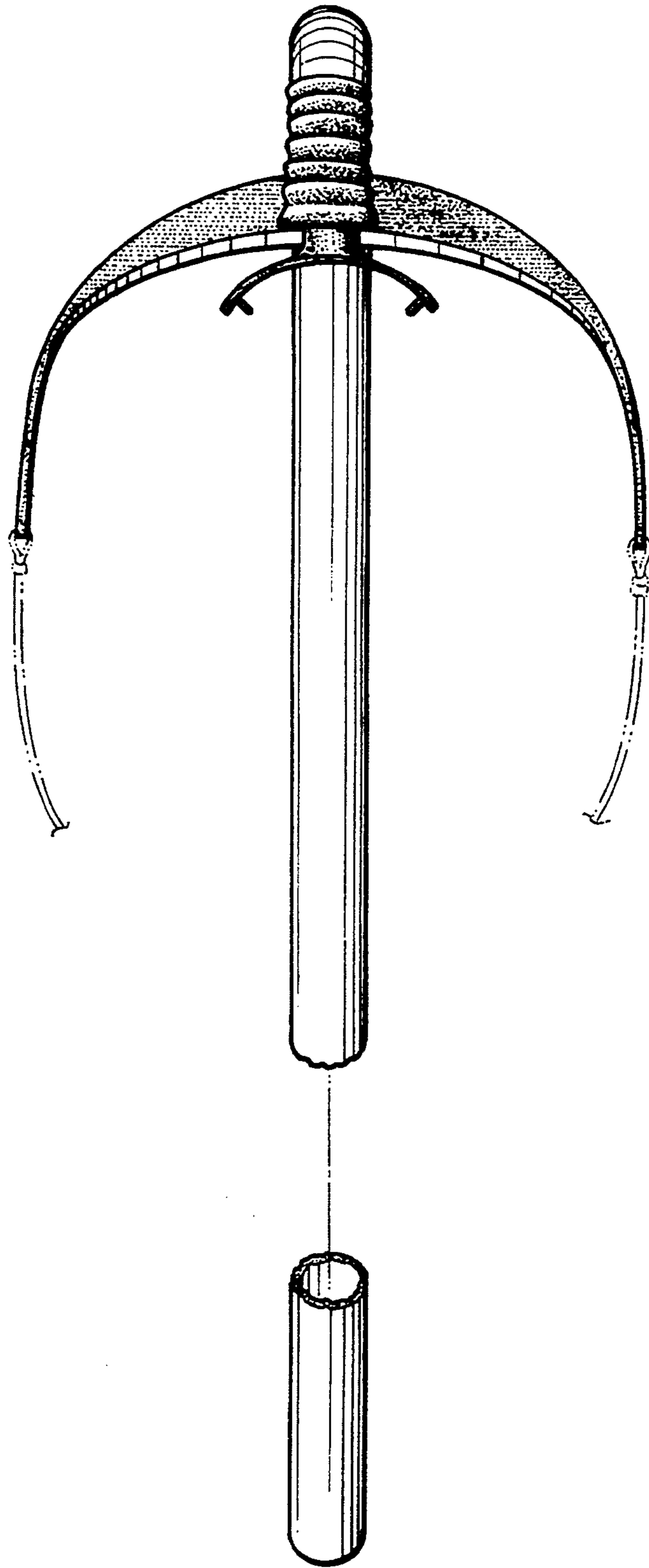


FIG. 5

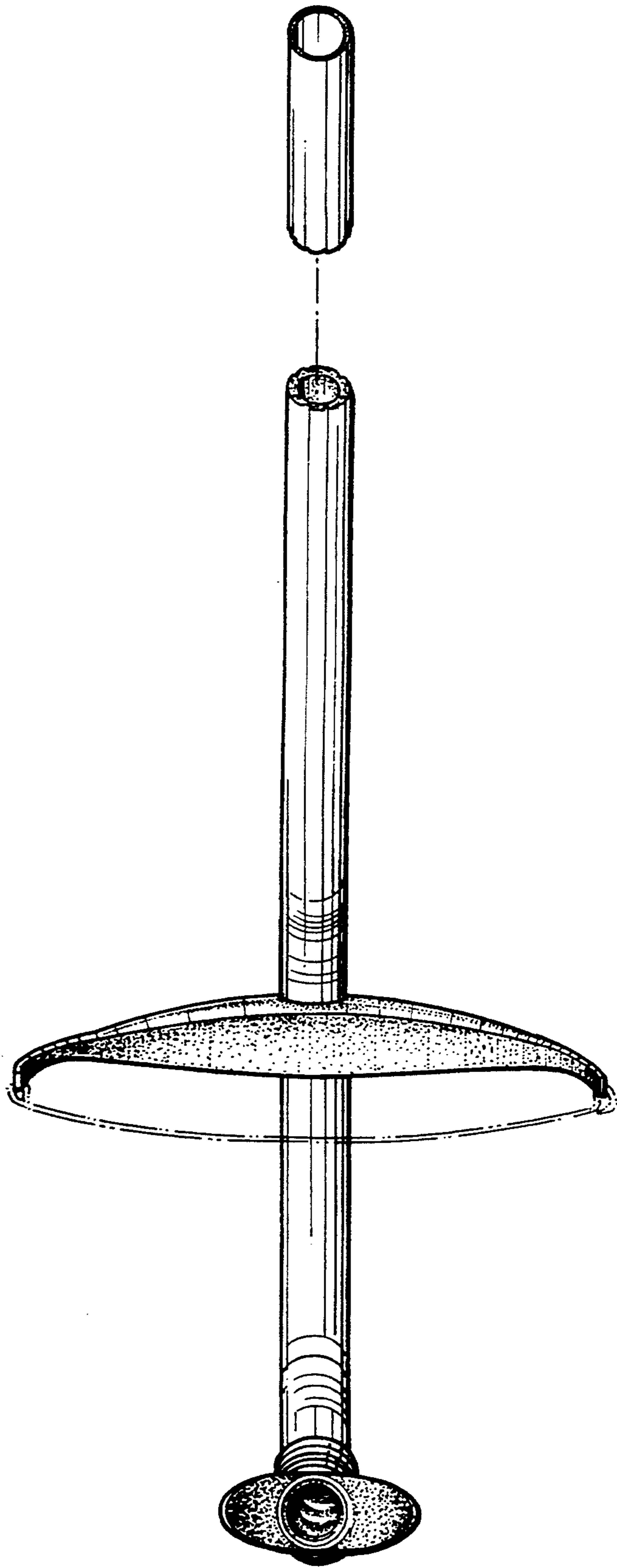


FIG. 6