



US00D350378S

United States Patent [19]

[11] Patent Number: **Des. 350,378**

Curtis

[45] Date of Patent: **** Sep. 6, 1994**

[54] **CONNECTING PIECE FOR THE HANDLE AND SHAFT OF A RACKET**

[75] Inventor: **Michael E. Curtis**, Wakefield, Great Britain

[73] Assignee: **Dunlop Limited**, London, England

[**] Term: **14 Years**

[21] Appl. No.: **4,255**

[22] Filed: **Jan. 29, 1993**

[52] U.S. Cl. **D21/221**

[58] Field of Search **273/73 R, 75, 73 C, 273/73 F, 73 G, 73 H, 73 J, 73 K, 73 L, 67 R; D21/212-213, 221-223**

[56] **References Cited**

FOREIGN PATENT DOCUMENTS

179263 2/1992 Taiwan .

OTHER PUBLICATIONS

Sport Craft, 1978, p. 6, racket 00182.
Slazenger's *Squash & Badminton Racket Range* catalog 1983/1984.

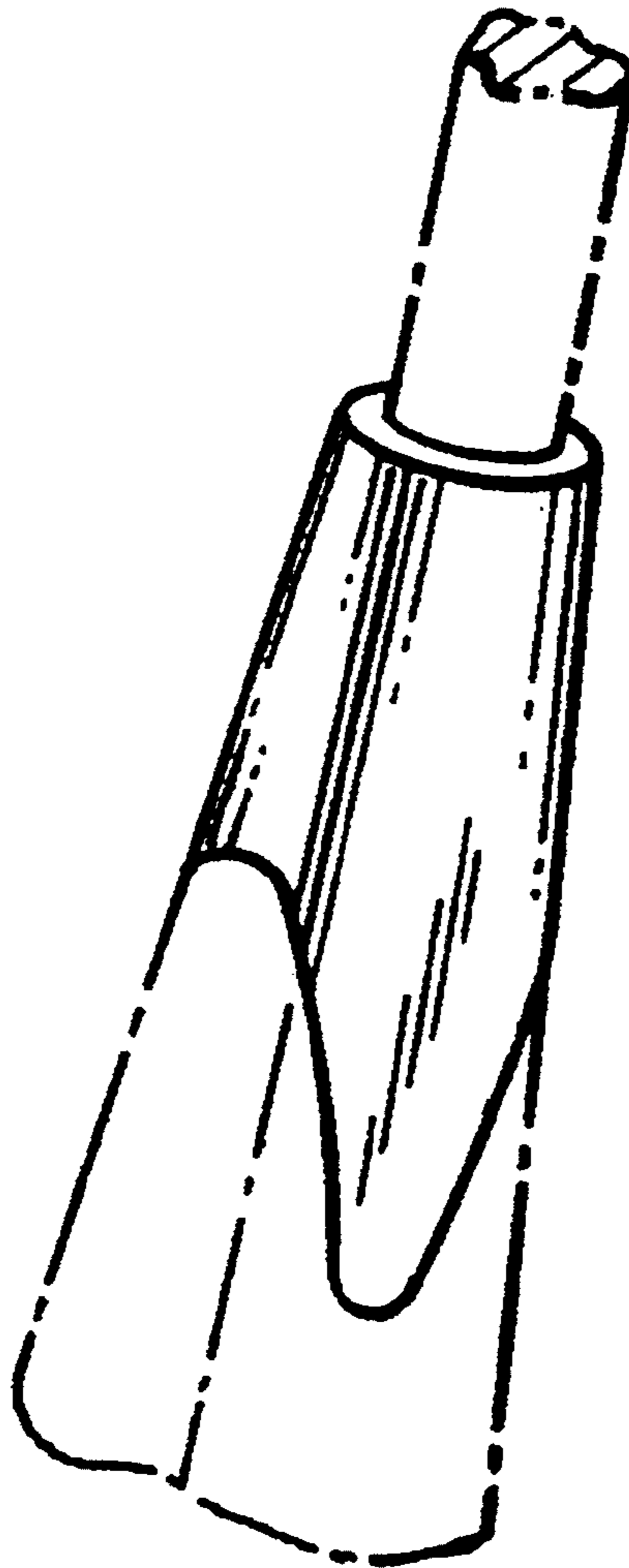
Primary Examiner—Terry A. Wallace
Attorney, Agent, or Firm—Lorusso & Loud

[57] **CLAIM**

The original design for a connecting piece for the handle and shaft of a racket, as shown and described.

DESCRIPTION

FIG. 1 is a front elevational view of a connecting piece for the handle and shaft of a racket showing my new design, the opposite side being a mirror image; FIG. 2 is a side elevational view thereof; FIG. 3 is a perspective view thereof; and, FIG. 4 is an enlarged perspective view thereof. The racket is shown in broken lines for illustrative purposes only and forms no part of the claim.



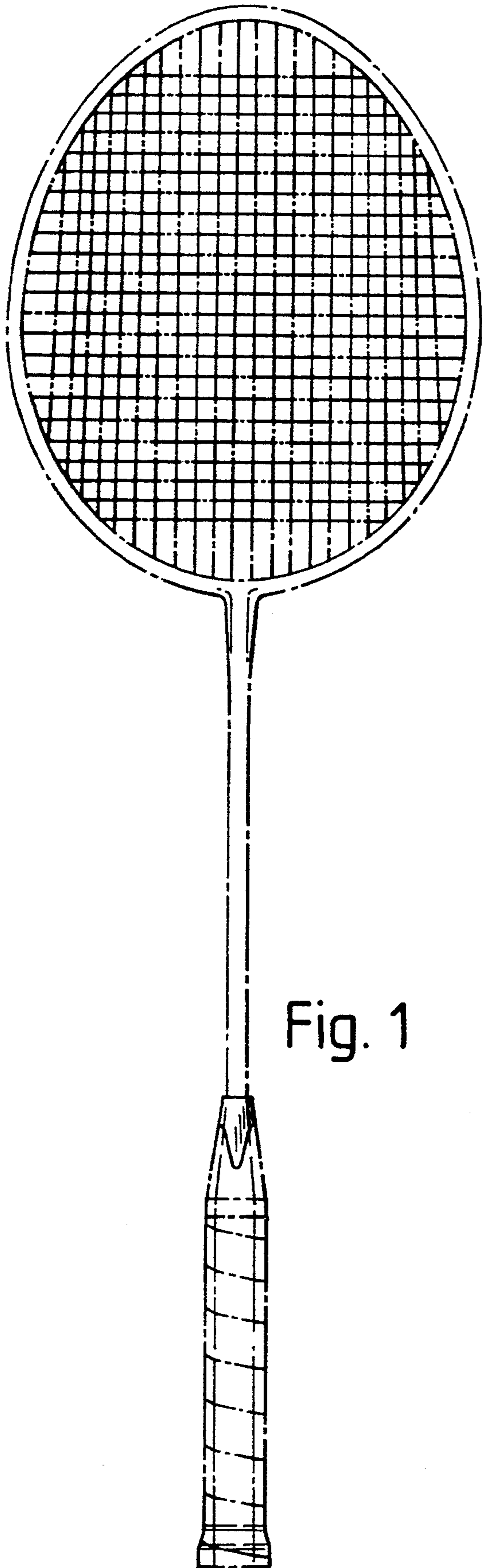


Fig. 1

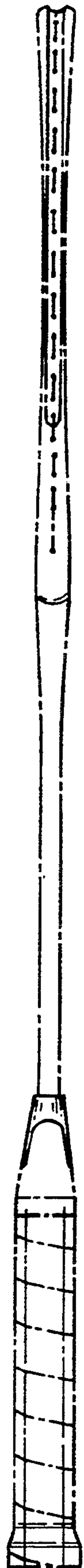


Fig. 2

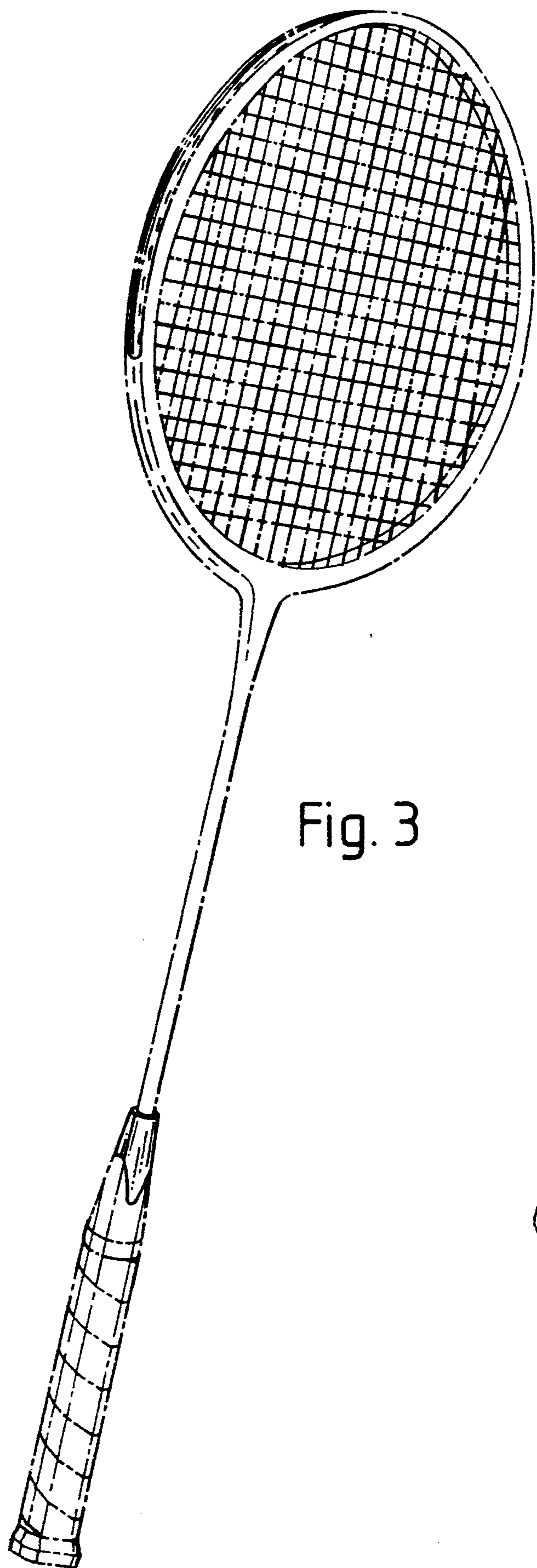


Fig. 3

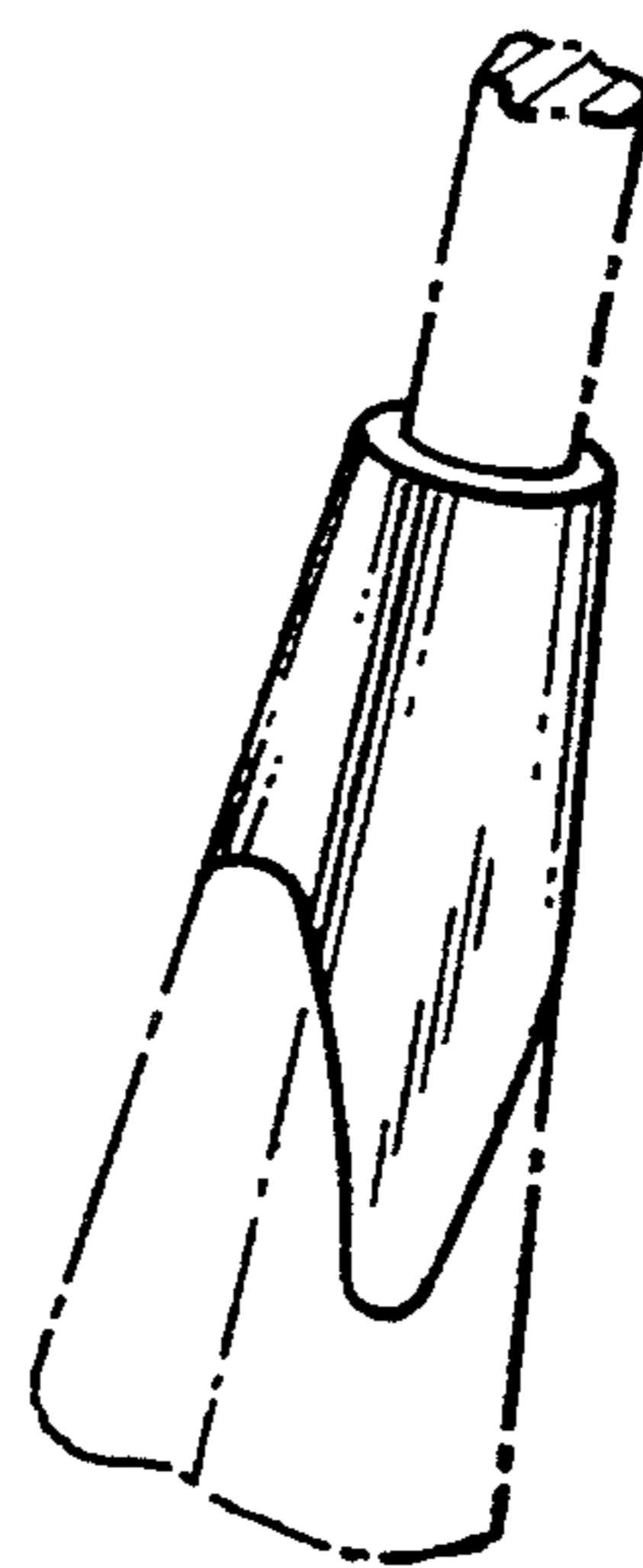


Fig. 4