



US00D350374S

United States Patent [19]

Comeau

[11] Patent Number: **Des. 350,374**

[45] Date of Patent: **** Sep. 6, 1994**

[54] **PLAYING CARD HOLDER**

[76] Inventor: **Edward Comeau**, RR #1, Ayr
Ontario, CN N0B 1E0, Canada

[**] Term: **14 Years**

[21] Appl. No.: **892,014**

[22] Filed: **Jun. 3, 1992**

[52] U.S. Cl. **D21/54; D19/90**

[58] Field of Search 273/236-285,
273/148 A, 150; D21/48, 54-56; D19/81-85,
90

4,538,813	9/1985	Pergeau	273/150
4,630,824	12/1986	Sweet	273/150
4,684,132	8/1987	Wolford	273/150

FOREIGN PATENT DOCUMENTS

4108919	9/1991	Fed. Rep. of Germany	273/150
2203659	10/1988	United Kingdom	273/260

Primary Examiner—Bernard Ansher
Assistant Examiner—Sandra Morris
Attorney, Agent, or Firm—Terry M. Gernstein

[57] CLAIM

The ornamental design for a playing card holder, as shown and described.

DESCRIPTION

FIG. 1 is a top, front and end perspective view of the playing card holder embodying the design of the present invention;

FIG. 2 is a front elevational view thereof;

FIG. 3 is an end elevational view thereof, the end opposite being a mirror image of the end shown in FIG. 3;

FIG. 4 is a rear elevational view thereof;

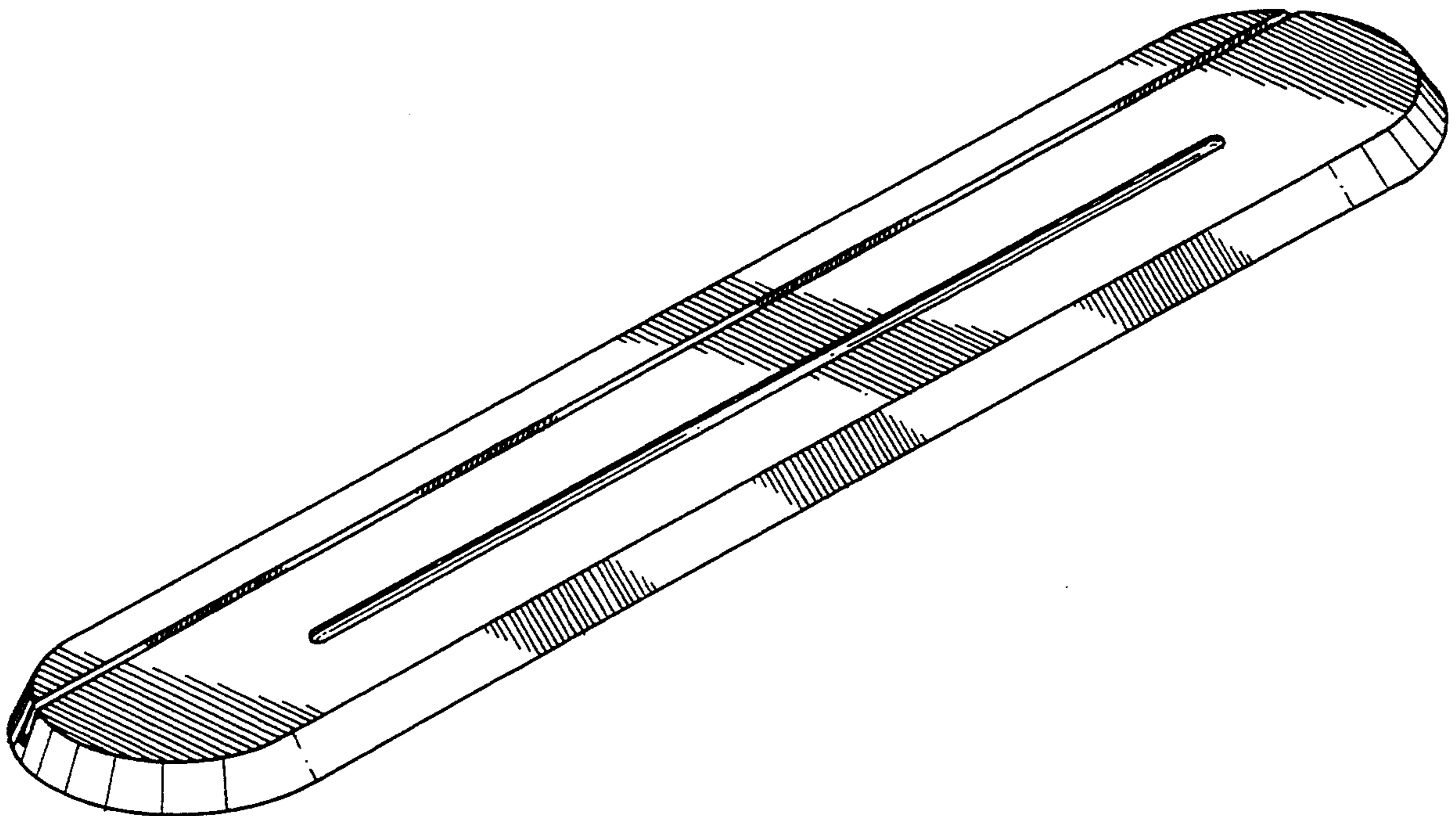
FIG. 5 is a top plan view thereof; and,

FIG. 6 is a bottom view thereof.

[56] References Cited

U.S. PATENT DOCUMENTS

D. 33,770	12/1900	Jones	D19/83
D. 146,470	3/1947	Fresco	D19/83
D. 181,974	1/1958	Gurnsey	D21/34
D. 246,062	10/1977	Kowalski	D21/54
D. 269,446	6/1983	Pirovano	D19/83
D. 271,895	12/1983	Runions	D21/54
D. 273,961	5/1984	Bassey	D19/90
D. 274,919	7/1984	Basaldua, Jr.	D19/90
4,073,494	2/1978	McAdams	273/150



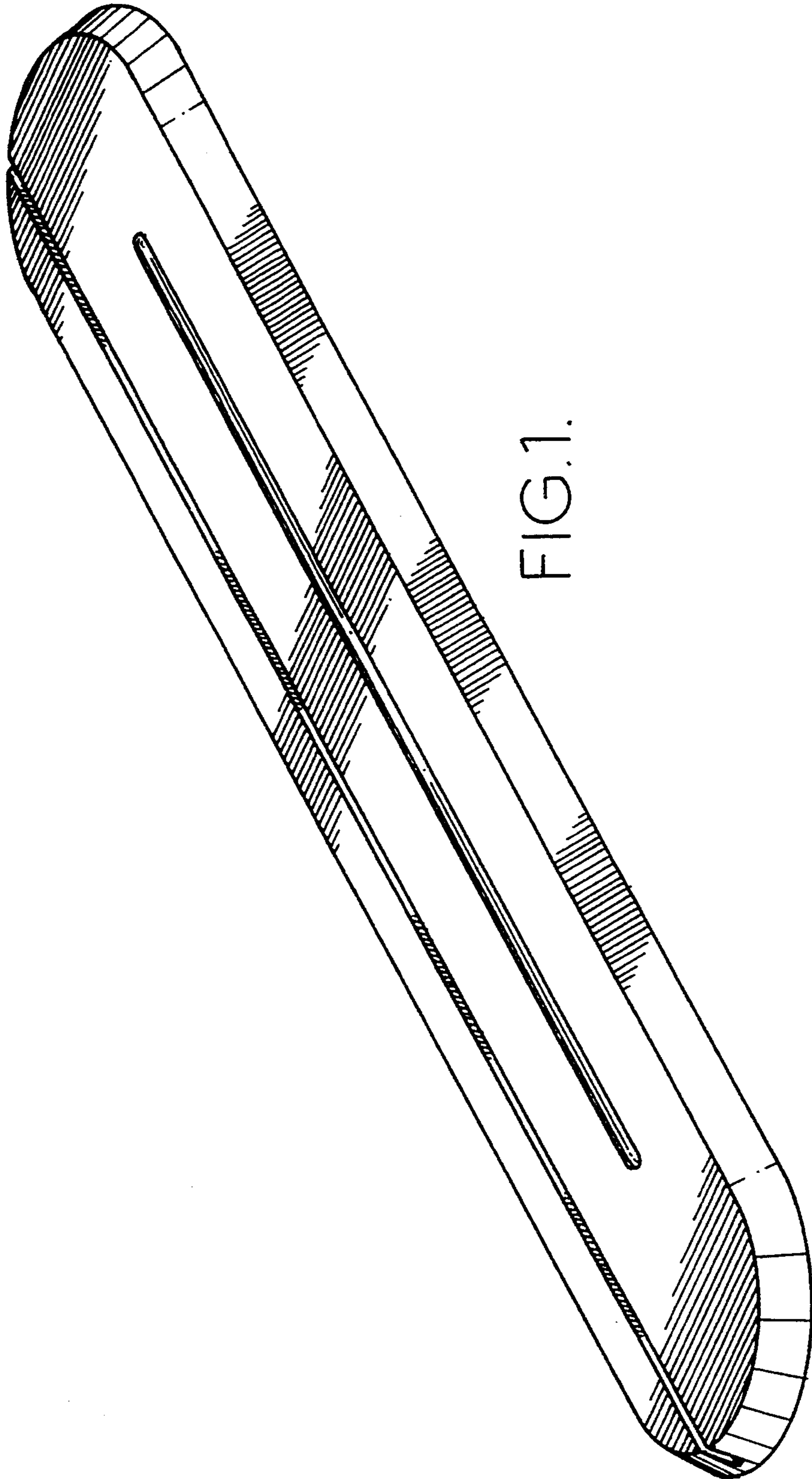


FIG.1.

FIG. 5.

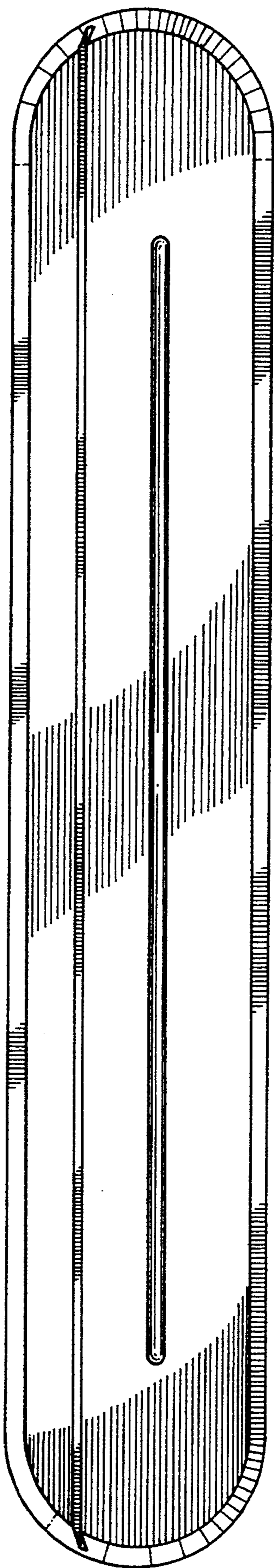


FIG. 2.



FIG. 6.

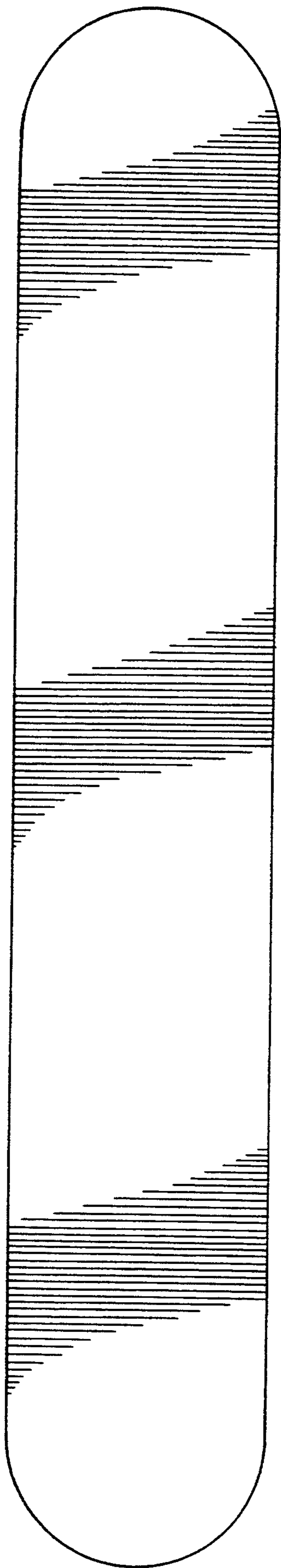


FIG. 3.



FIG. 4.

