



US00D350370S

United States Patent [19]

[11] Patent Number: **Des. 350,370**

Lockard

[45] Date of Patent: **** Sep. 6, 1994**

[54] **NECKTIE LABEL**

[75] Inventor: **Randall R. Lockard**, Coppell, Tex.

[73] Assignee: **TBAC Investment Trust**, Arlington, Tex.

[**] Term: **14 Years**

[21] Appl. No.: **3,513**

[22] Filed: **Jan. 11, 1993**

[52] U.S. Cl. **D20/22; D2/609**

[58] Field of Search **D2/609, 600, 624; D5/63, 99; 24/49 CF; 2/145; 40/259, 640, 1.5, 5, 6; D20/22**

[56] **References Cited**

U.S. PATENT DOCUMENTS

D. 208,452	9/1967	Aron	D20/22
4,262,393	4/1981	Neri	24/49 CF
4,955,112	9/1990	Porter	24/49 CF
5,239,707	8/1993	Pileggi	2/145

Primary Examiner—Bernard Ansher
Assistant Examiner—Paula Mortimer
Attorney, Agent, or Firm—Winstead Sechrest & Minick

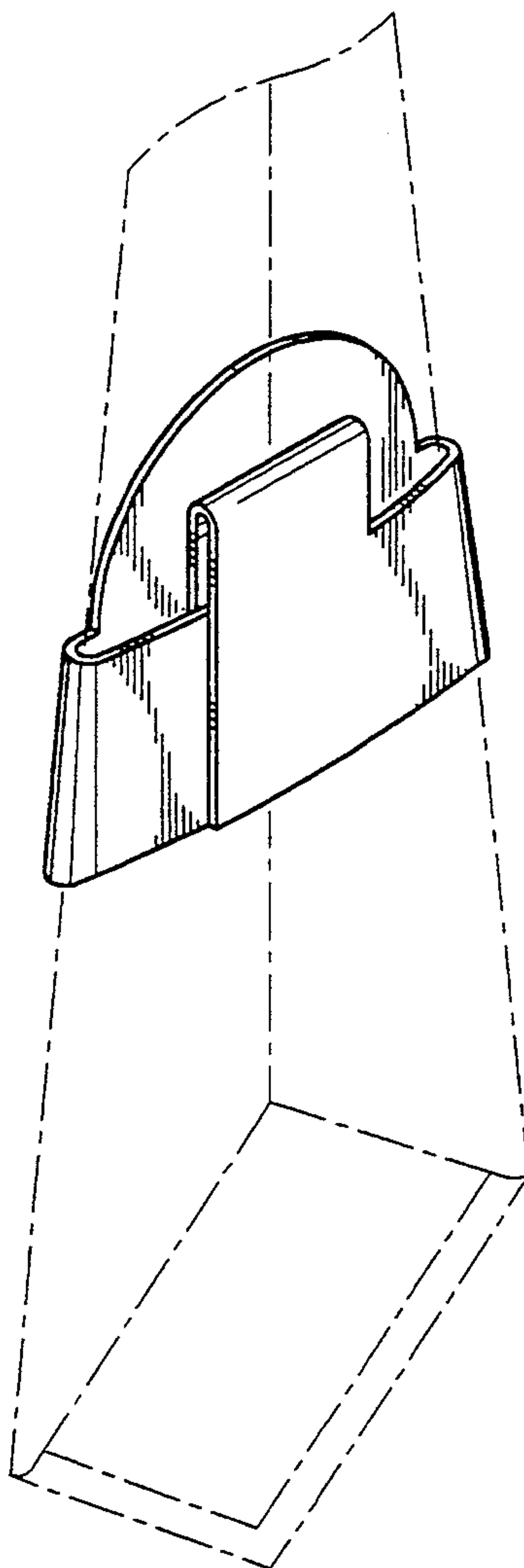
[57] **CLAIM**

The ornamental design for a necktie label, as shown and described.

DESCRIPTION

FIG. 1 is a rear side perspective view of a necktie label showing the design;
FIG. 2 is a front elevational view thereof;
FIG. 3 is a rear elevational view thereof;
FIG. 4 is a right side elevational view thereof;
FIG. 5 is a left side elevational view thereof;
FIG. 6 is a top plan view thereof;
FIG. 7 is a bottom plan view thereof; and,
FIG. 8 is a front elevational view of the unfolded necktie label thereof.

The broken line showing of the necktie in FIG. 1 is for illustrative purposes only and forms no part of the claimed design.



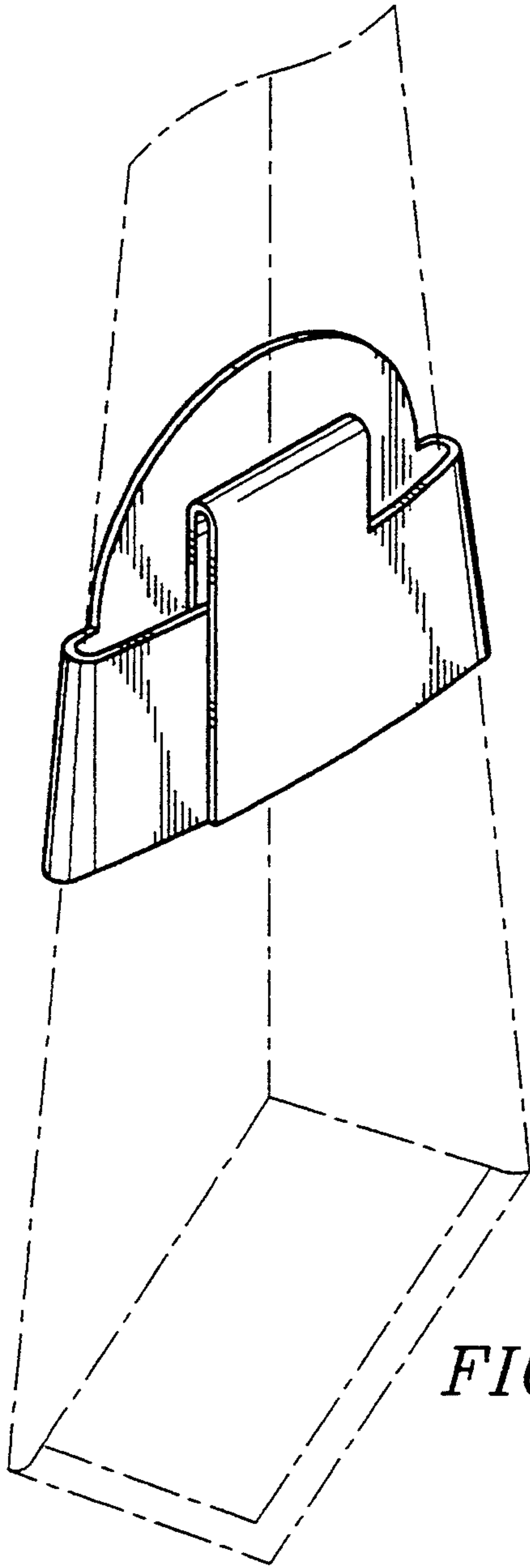


FIG. 1



FIG. 4



FIG. 5



FIG. 6



FIG. 7

FIG. 2

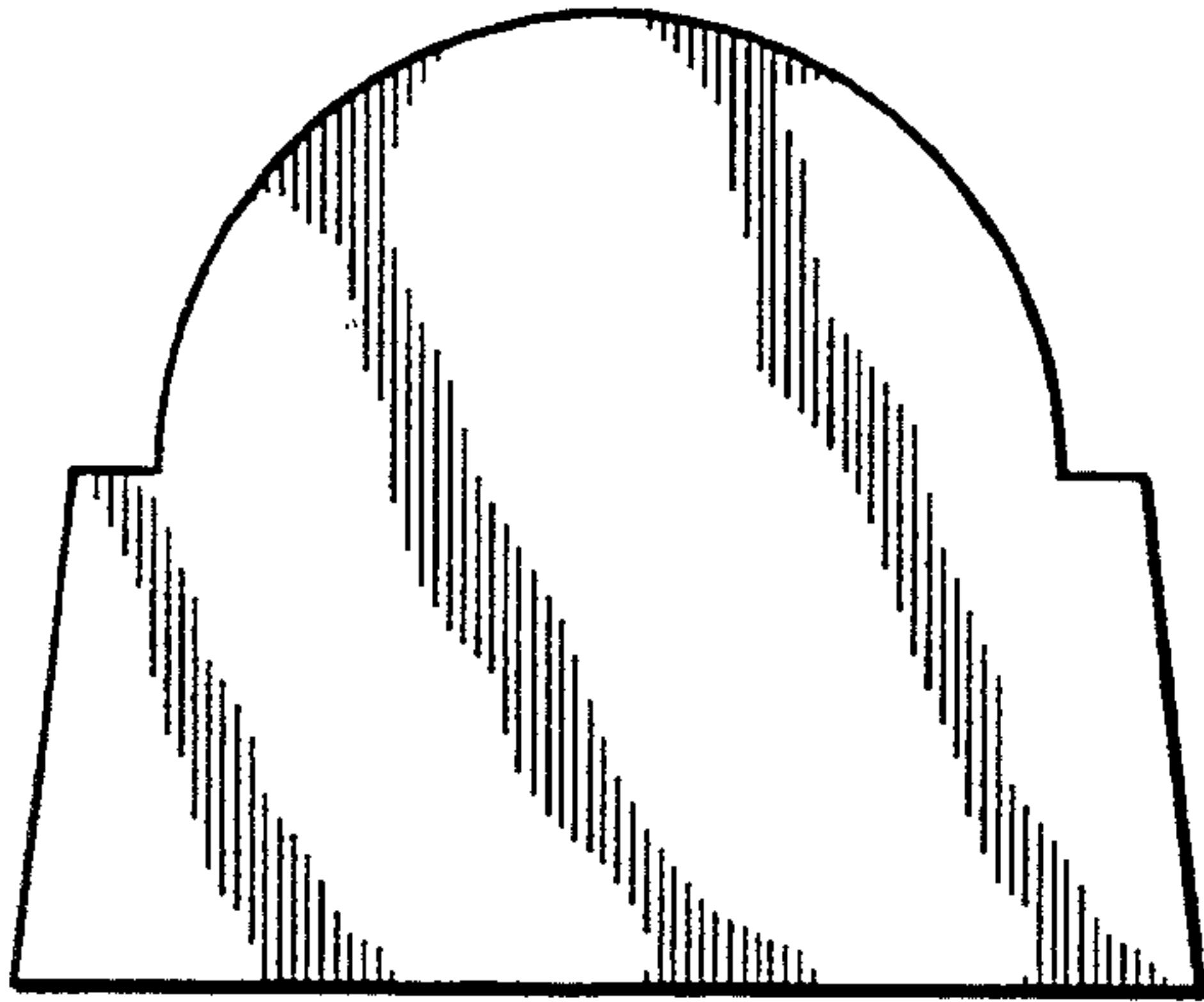


FIG. 3

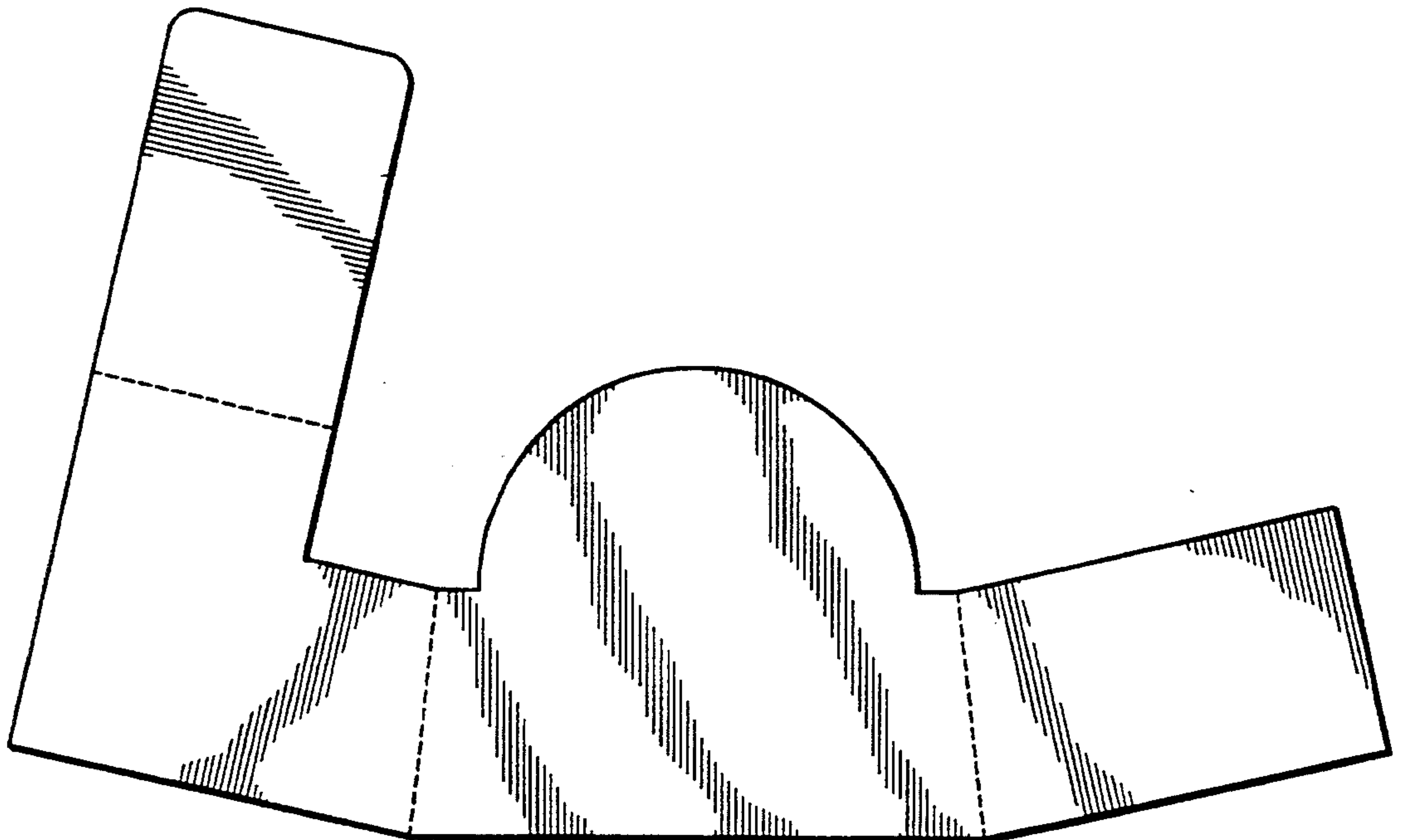
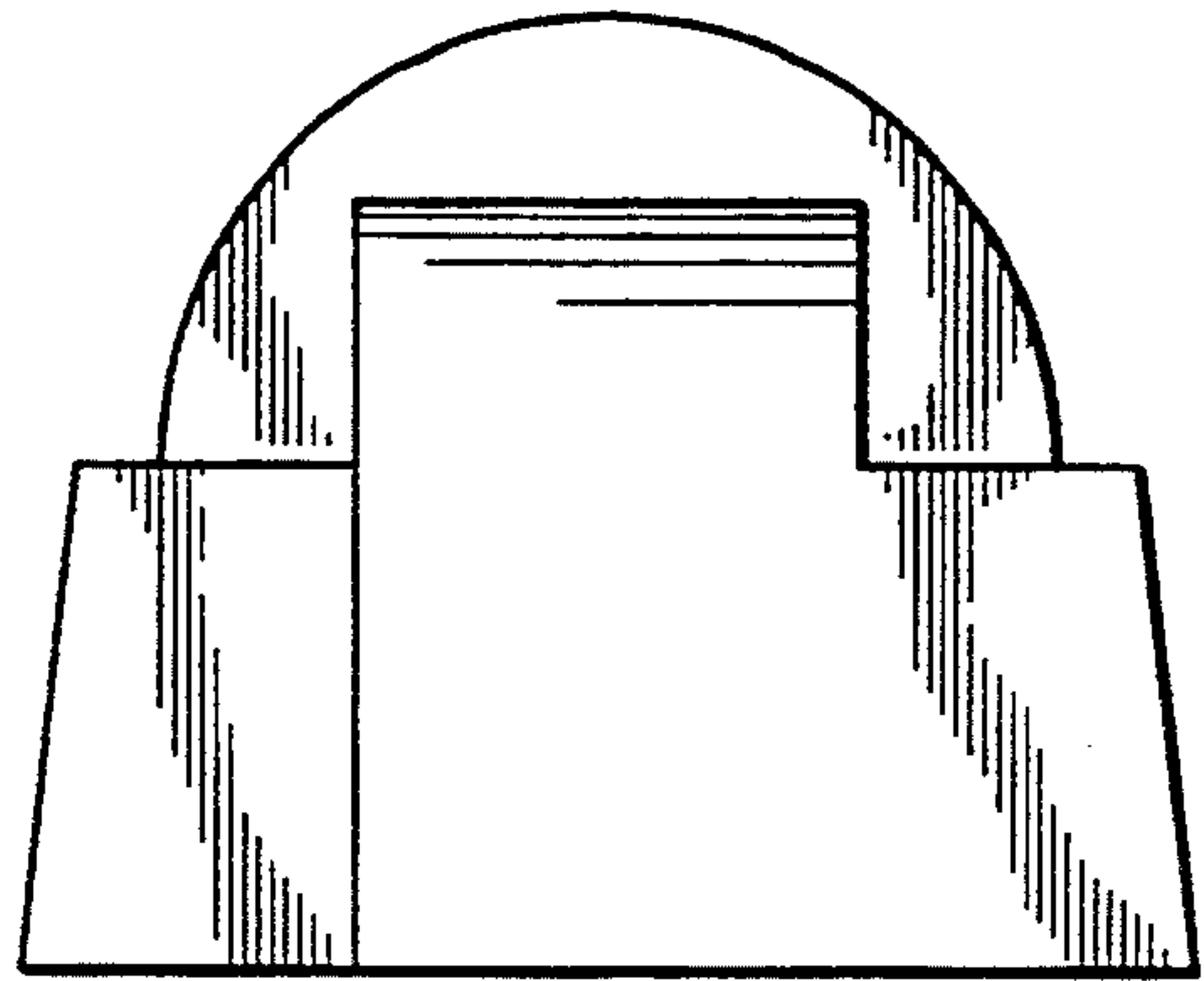


FIG. 8