



US00D350367S

United States Patent [19]
McKelvey

[11] **Patent Number: Des. 350,367**
[45] **Date of Patent: ** Sep. 6, 1994**

[54] **ILLUMINATED SIGN**

[75] **Inventor: Leonard W. McKelvey, Nerang, Australia**

[73] **Assignee: AD-A-CAB International Pty Ltd, Australia**

[**] **Term: 14 Years**

[21] **Appl. No.: 10,674**

[22] **Filed: Jul. 15, 1993**

[30] **Foreign Application Priority Data**

Feb. 11, 1993 [NZ] New Zealand 24992

[52] **U.S. Cl. D20/10**

[58] **Field of Search 40/1, 124, 124.1, 540, 40/541, 546, 584, 591, 592, 593; D20/10, 18, 19, 20, 40, 41; D26/28, 31, 32**

[56] **References Cited**

U.S. PATENT DOCUMENTS

D. 245,940 9/1977 George D20/10
D. 331,981 12/1992 Fischel et al. D20/42

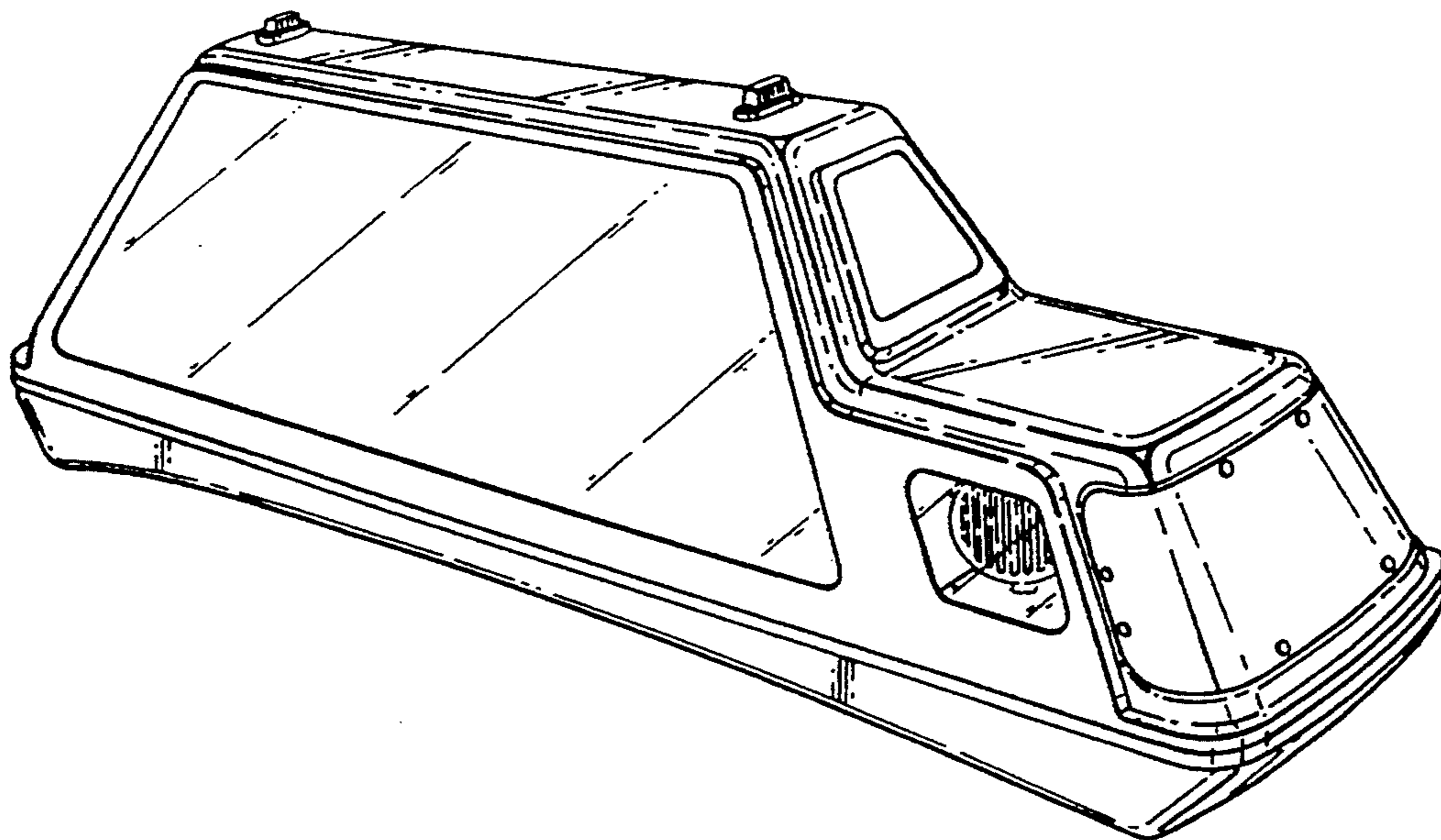
Primary Examiner—Wallace R. Burke
Assistant Examiner—Marcus Jackson
Attorney, Agent, or Firm—Hoffman, Wasson & Gitler

[57] **CLAIM**

The ornamental design for an illuminated sign, as shown and described.

DESCRIPTION

FIG. 1 is a front perspective view of an illuminated sign showing my new design;
FIG. 2 is a rear perspective view thereof;
FIG. 3 is a side elevation view thereof;
FIG. 4 is a plan view thereof; and,
FIG. 5 is a view from below thereof.



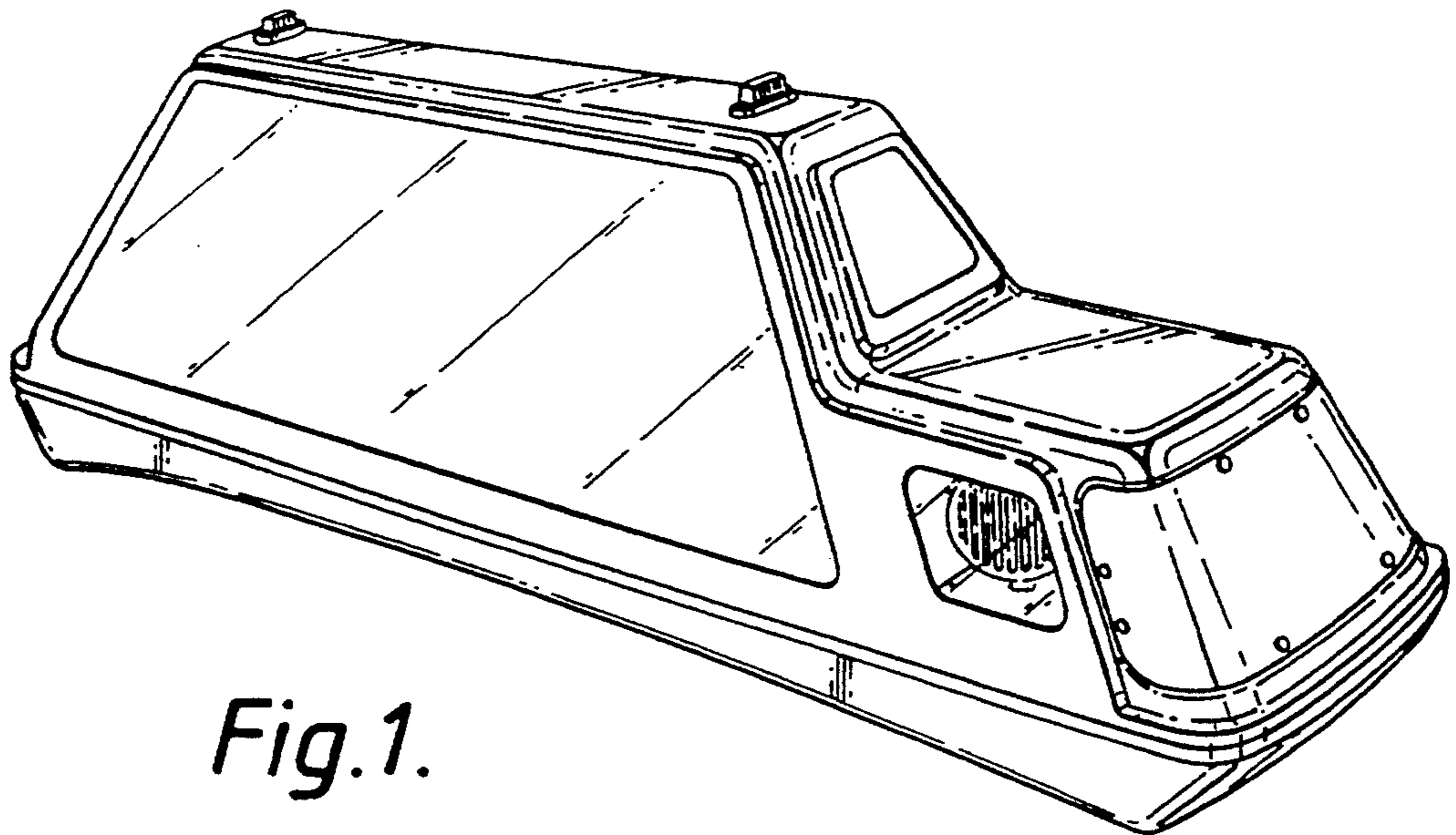


Fig. 1.

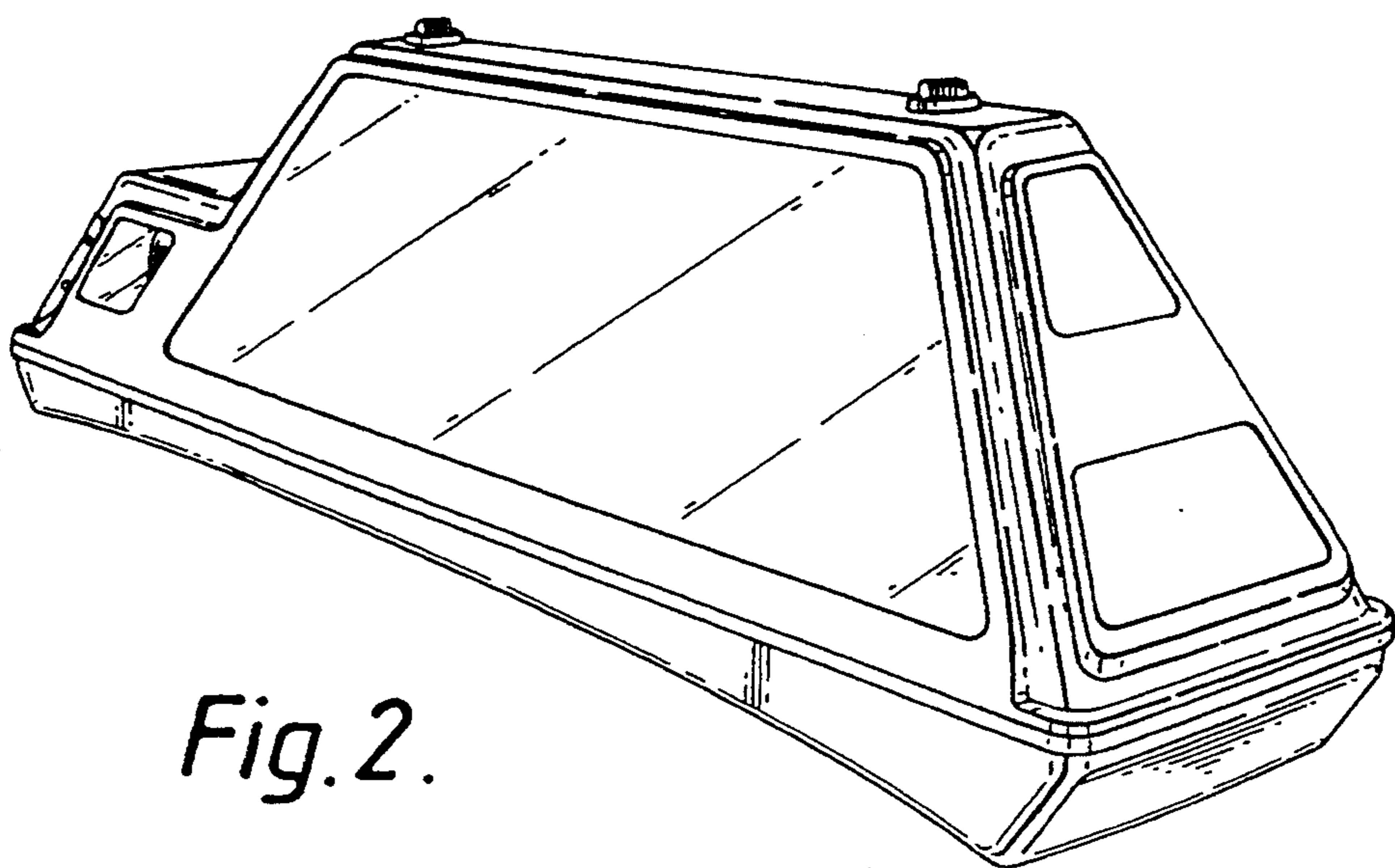


Fig. 2.

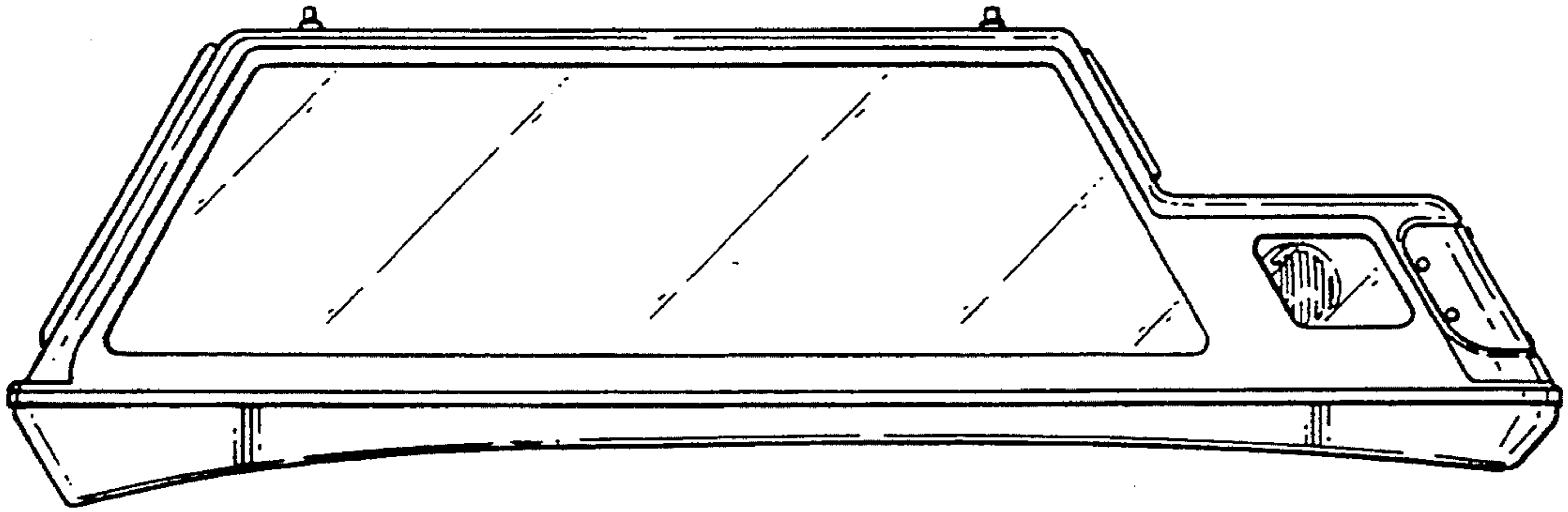


Fig. 3.

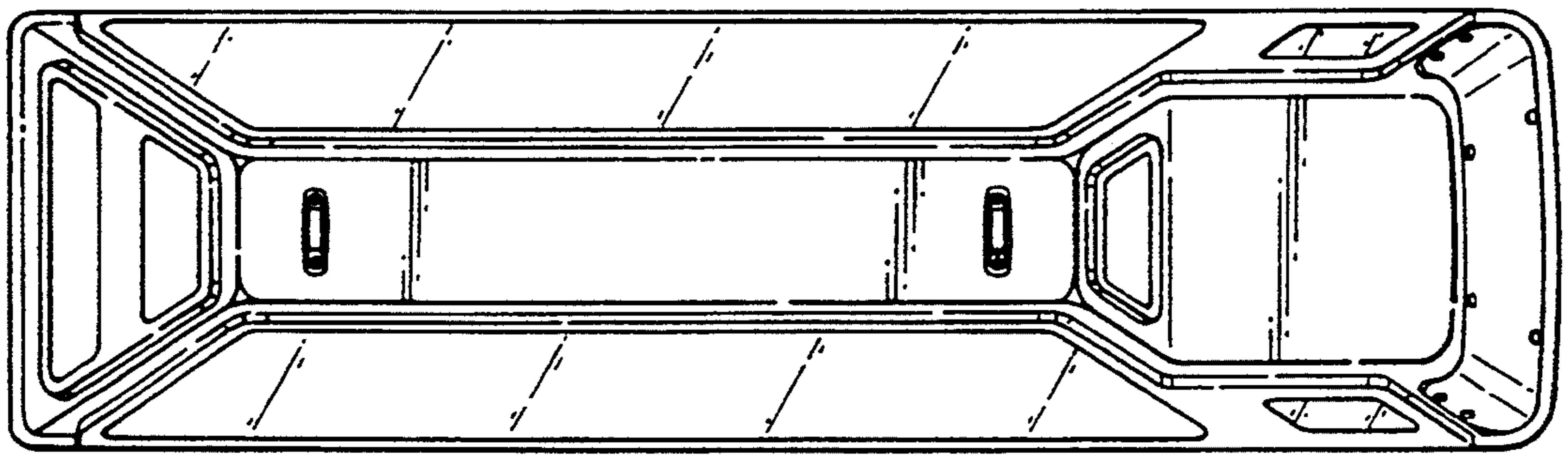


Fig. 4.

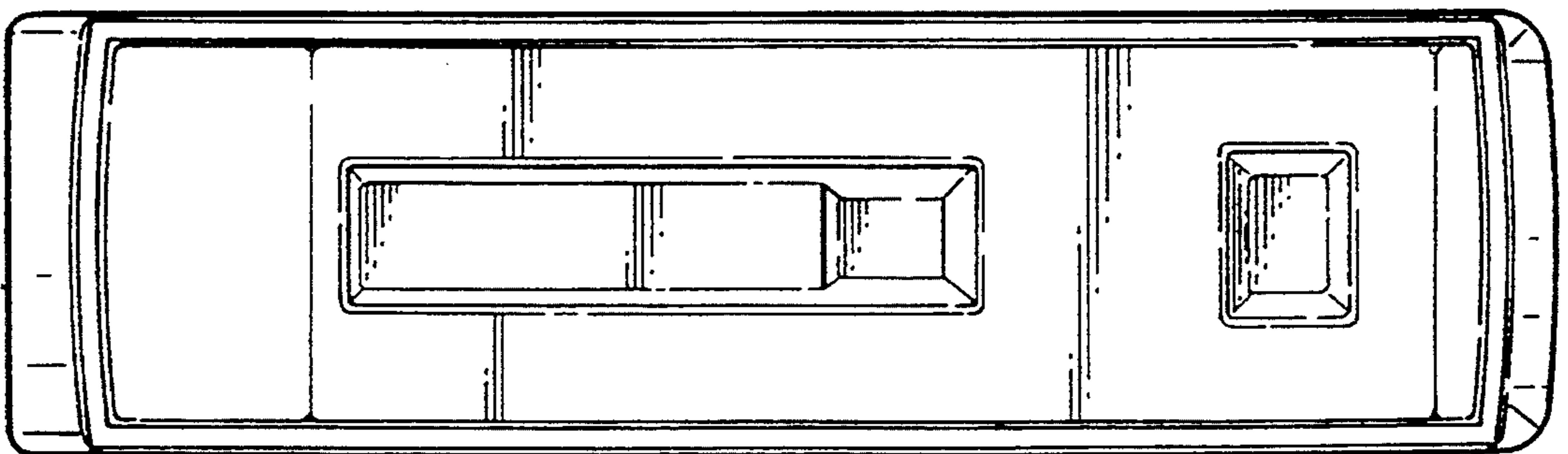


Fig. 5.