



US00D350366S

United States Patent [19]

[11] Patent Number: **Des. 350,366**

Kantor

[45] Date of Patent: **** Sep. 6, 1994**

[54] **END CAP FOR DISPLAY BOOK SPINE**

[57] **CLAIM**

[75] Inventor: **Peter Kantor**, Flushing, N.Y.

The ornamental design for an end cap for display book spine, as shown and described.

[73] Assignee: **Thomson-Leeds Company, Inc.**, New York, N.Y.

DESCRIPTION

[**] Term: **14 Years**

FIG. 1 is a view in perspective of two of the end caps for display book spine of the invention, with a display book spine and a part of a page of a display book shown in broken lines to illustrate the environment of the end cap for display book spine;

[21] Appl. No.: **9,737**

FIG. 2 is a perspective view of the end cap for display book spine;

[22] Filed: **Jun. 21, 1993**

FIG. 3 is a front elevation view of the end cap for display book spine;

[52] U.S. Cl. **D19/32**

FIG. 4 is a side view of the end cap for display book spine;

[58] Field of Search 281/42; 40/658, 666; 402/75; D19/32, 34, 99, 65

FIG. 5 is a side view of the end cap for display book spine showing the side opposite that shown in FIG. 4;

[56] **References Cited**

U.S. PATENT DOCUMENTS

1,653,465	11/1925	Montan et al.	D19/34
1,862,573	6/1932	Grosz	281/42
4,693,626	9/1987	Ferreira-Godinho	402/754
4,819,964	4/1989	Dupuis	281/42

FIG. 6 is an end view of the end cap for display book spine;

FOREIGN PATENT DOCUMENTS

729785	5/1955	United Kingdom	281/42
--------	--------	----------------------	--------

FIG. 7 is an end view of the end cap for display book spine showing the end opposite that illustrated in FIG. 6; and,

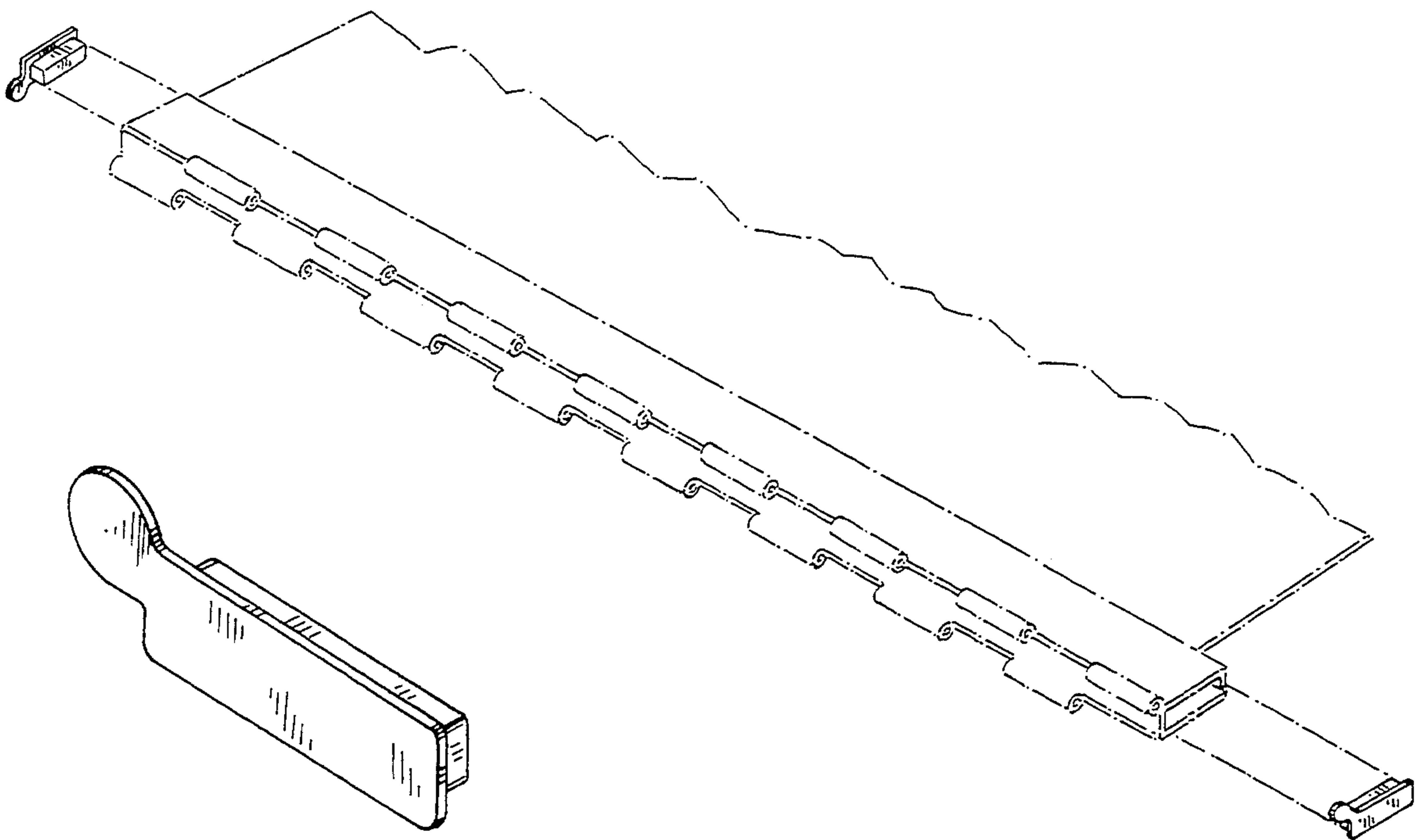
Primary Examiner—Wallace R. Burke

Assistant Examiner—Pamela Burgess

Attorney, Agent, or Firm—Brooks Haidt Haffner & Delahunty

FIG. 8 is a back elevation view of the end cap for display book spine.

The broken lines showing of FIG. 1 is for illustrative purposes only and forms no part of the claimed design.



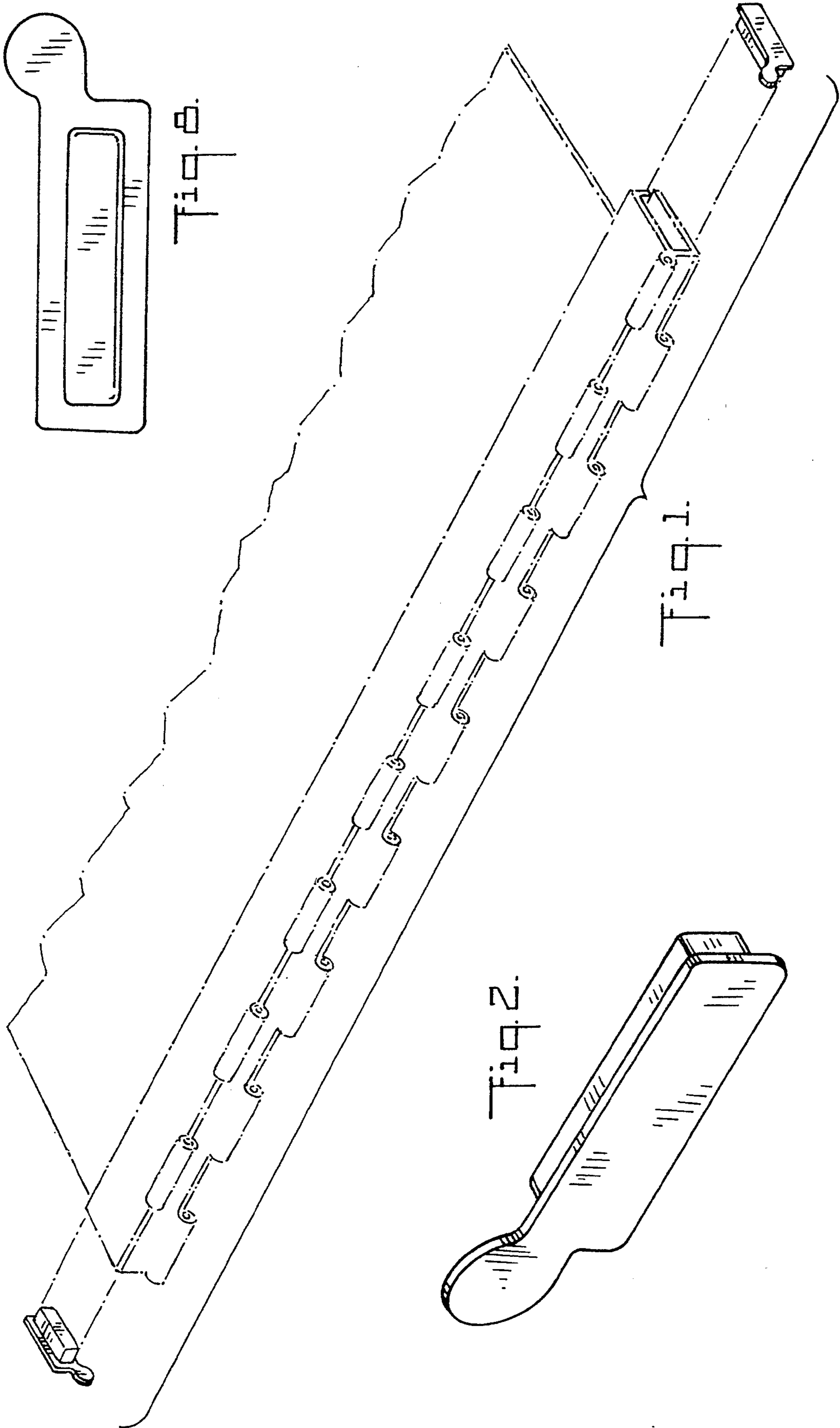


Fig. 3.

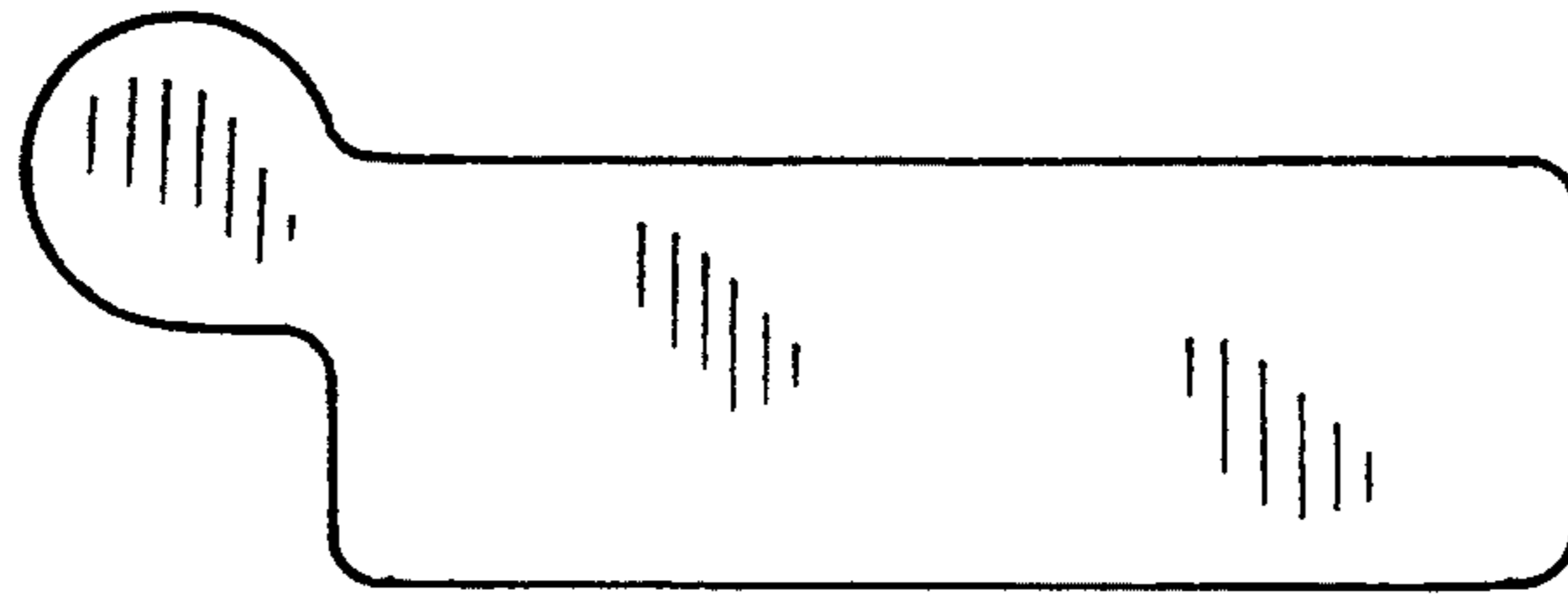


Fig. 4.

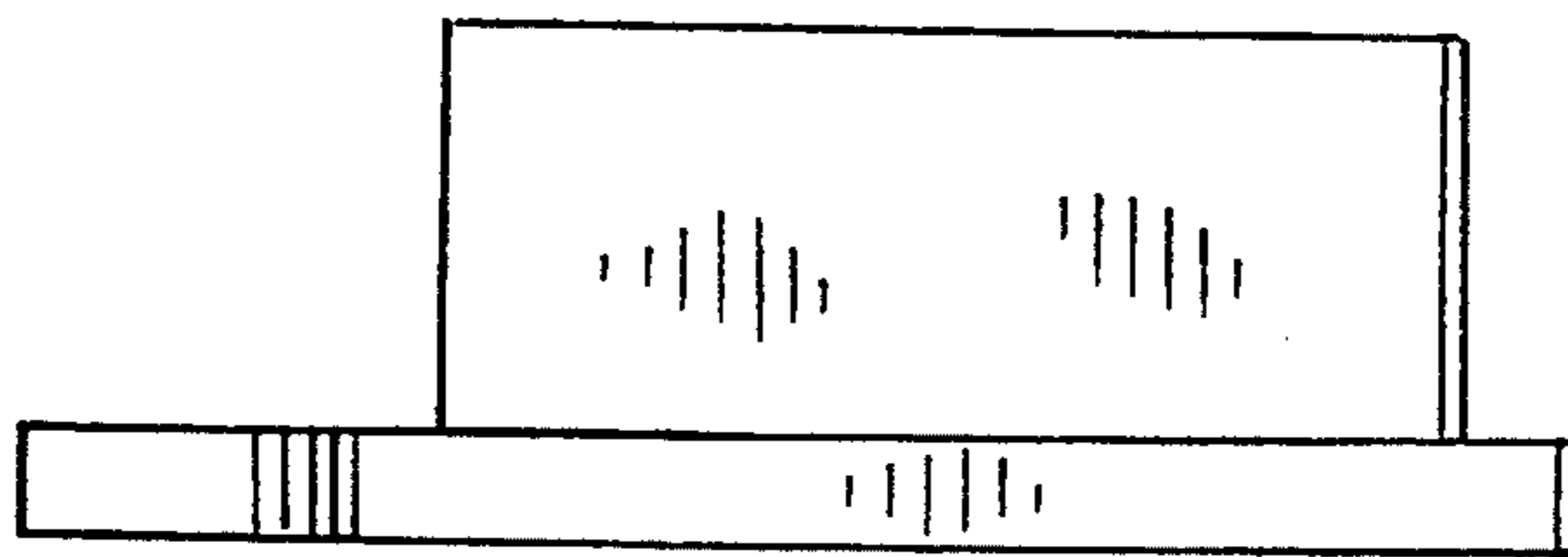


Fig. 5.

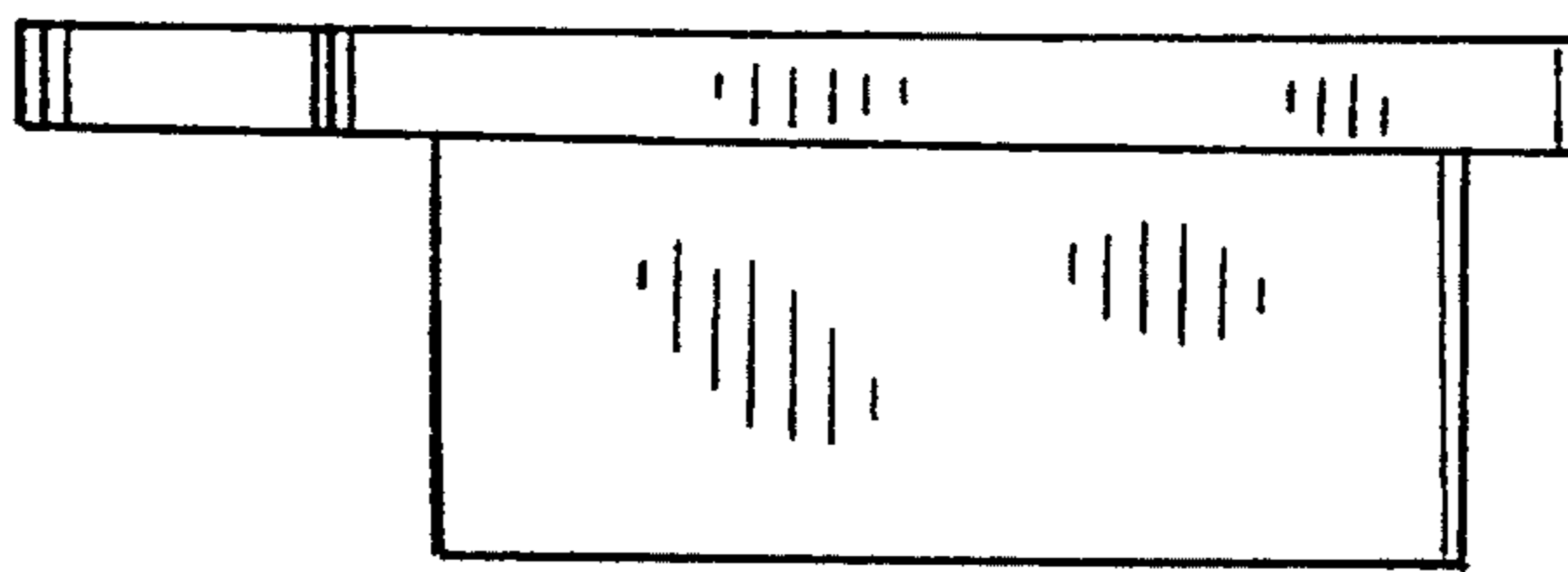


Fig. 6.

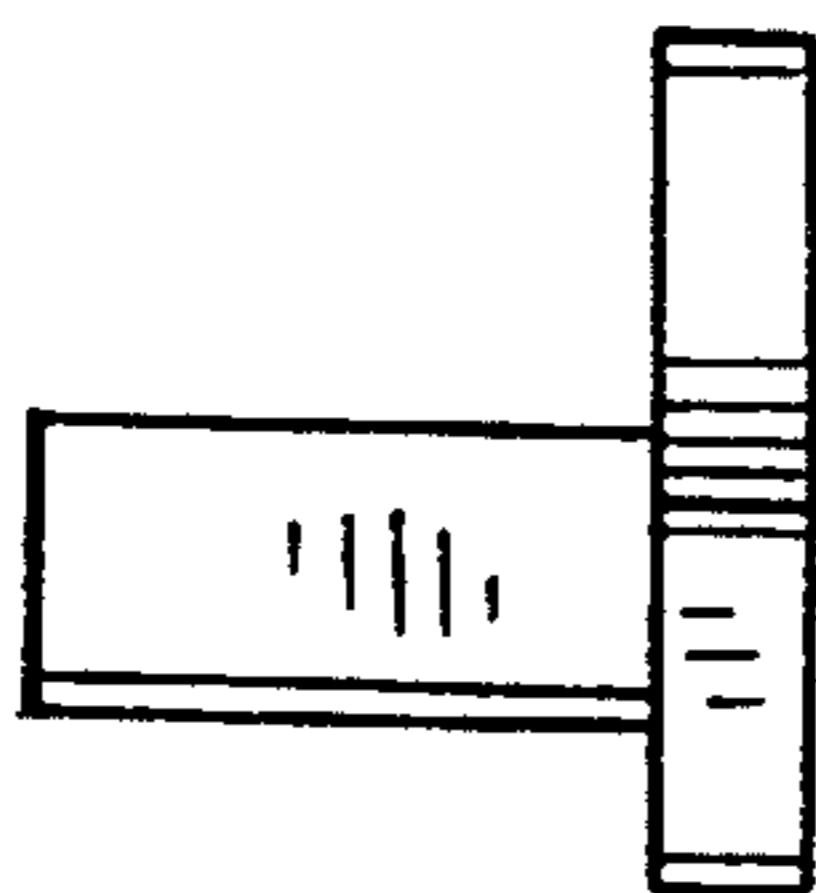


Fig. 7.

