



US00D350364S

United States Patent [19]

Kawashima et al.

[11] Patent Number: **Des. 350,364**

[45] Date of Patent: **** Sep. 6, 1994**

- [54] **PRINTER FOR COMPUTER**
- [75] Inventors: **Tsunemi Kawashima; Akihiko Matsuo**, both of Tokyo, Japan
- [73] Assignee: **Seikosha Co., Ltd.**, Tokyo, Japan
- [**] Term: **14 Years**
- [21] Appl. No.: **9,093**
- [22] Filed: **Jun. 3, 1993**
- [30] **Foreign Application Priority Data**
 Mar. 23, 1993 [JP] Japan 58201/93
- [52] U.S. Cl. **D18/50**
- [58] Field of Search 400/690-694,
 400/613, 613.1-613.4, 690.1-690.4; D18/50,
 52, 54, 55

- D. 310,096 8/1990 Heimburger D18/55
- D. 318,684 7/1991 Irie et al. D18/55
- D. 325,927 5/1992 Fushiya D18/54
- D. 333,153 2/1993 Uchibori et al. D18/55
- D. 343,856 2/1994 Chan D18/50
- 3,375,781 4/1968 Grimm et al. D18/55

Primary Examiner—Cathy Anne MacCormac
Attorney, Agent, or Firm—Amster, Rothstein & Ebenstein

[57] CLAIM

The ornamental design for a printer for computer, as shown.

DESCRIPTION

FIG. 1 is a perspective view from the front, top and right side of a printer for computer showing our new design;

FIG. 2 is a perspective view thereof from the rear, top and left side;

FIG. 3 is a front elevational view thereof;

FIG. 4 is a rear elevational view thereof;

FIG. 5 is a top elevational view thereof;

FIG. 6 is a bottom elevational view thereof;

FIG. 7 is a right side elevational view thereof; and,

FIG. 8 is a left side elevational view thereof.

[56] **References Cited**
U.S. PATENT DOCUMENTS

- D. 239,719 4/1976 Tooke D18/54
- D. 279,902 7/1985 Genaro et al. D18/54
- D. 290,258 6/1987 Weisz et al. D18/54
- D. 301,485 6/1989 Kato et al. D18/55
- D. 303,987 10/1989 Kato et al. D18/55

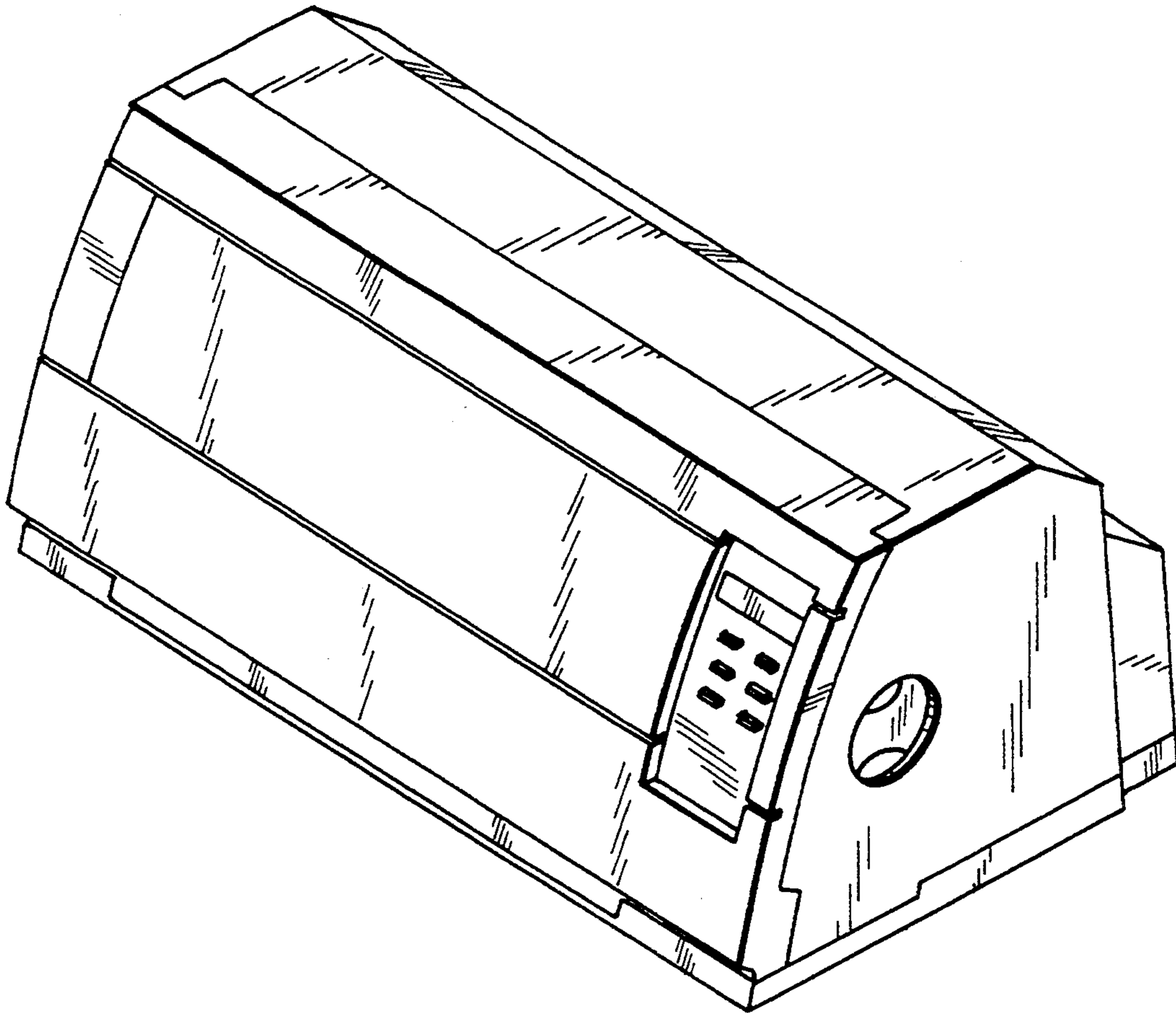


FIG. 1

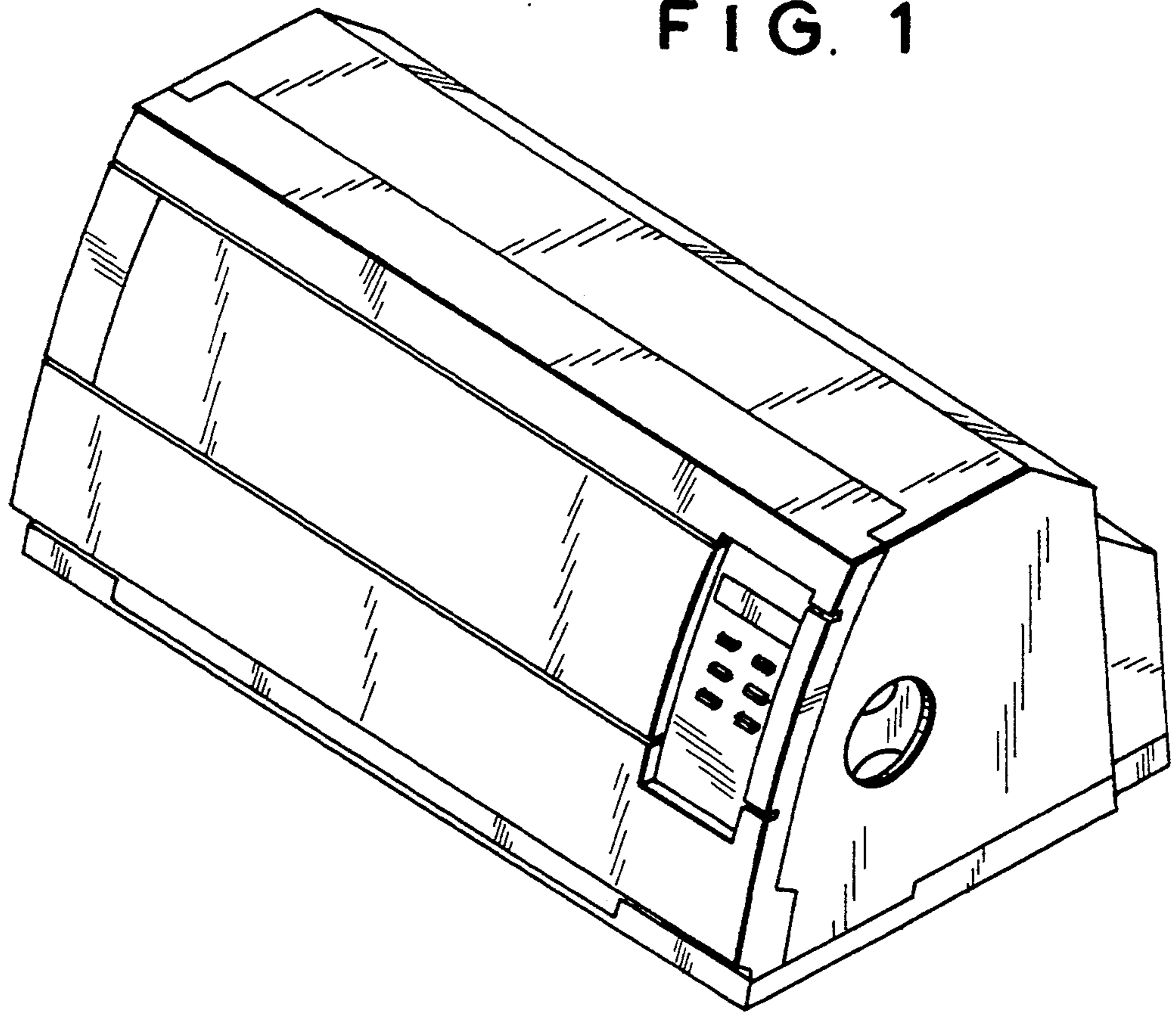


FIG. 2

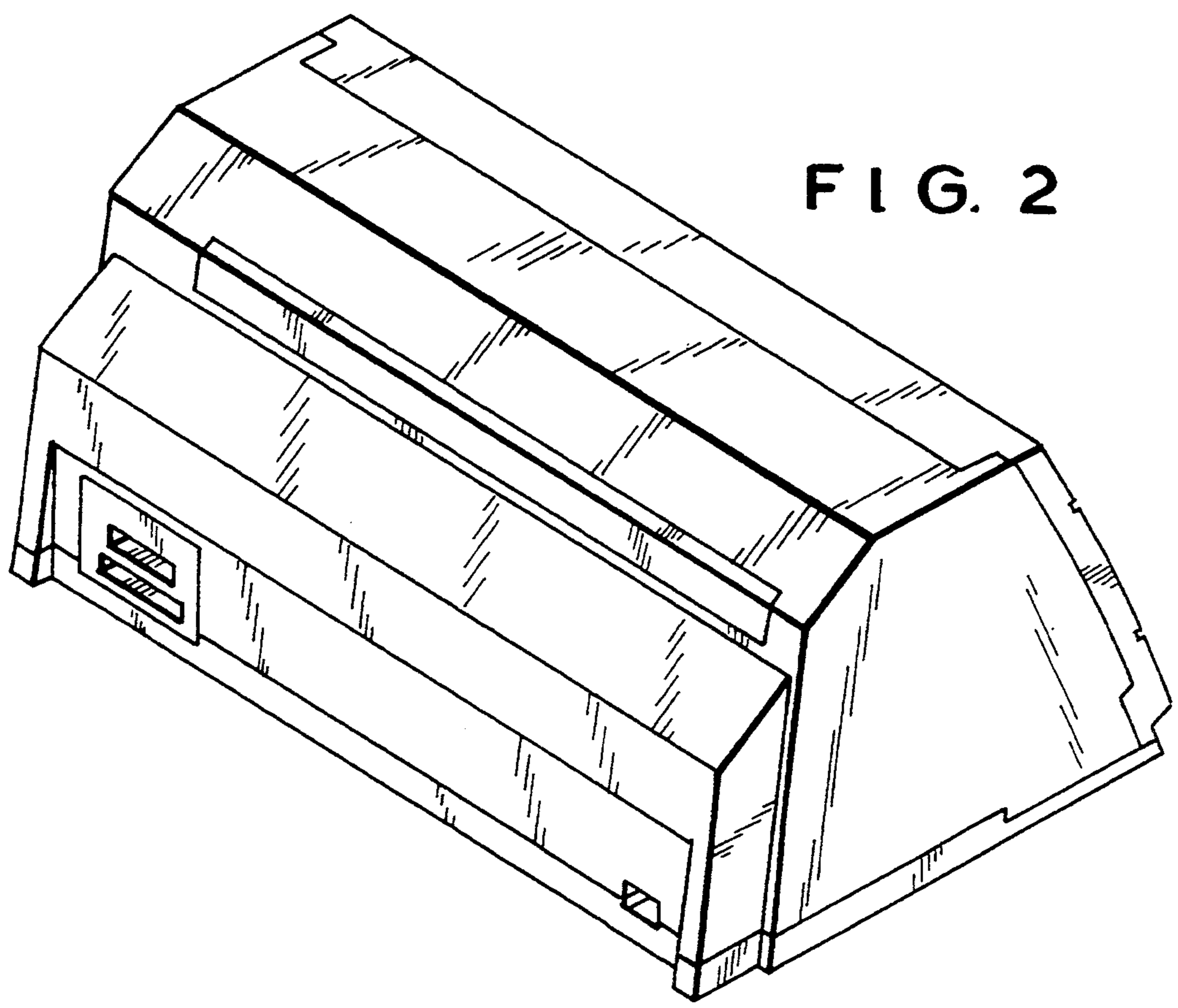


FIG. 5

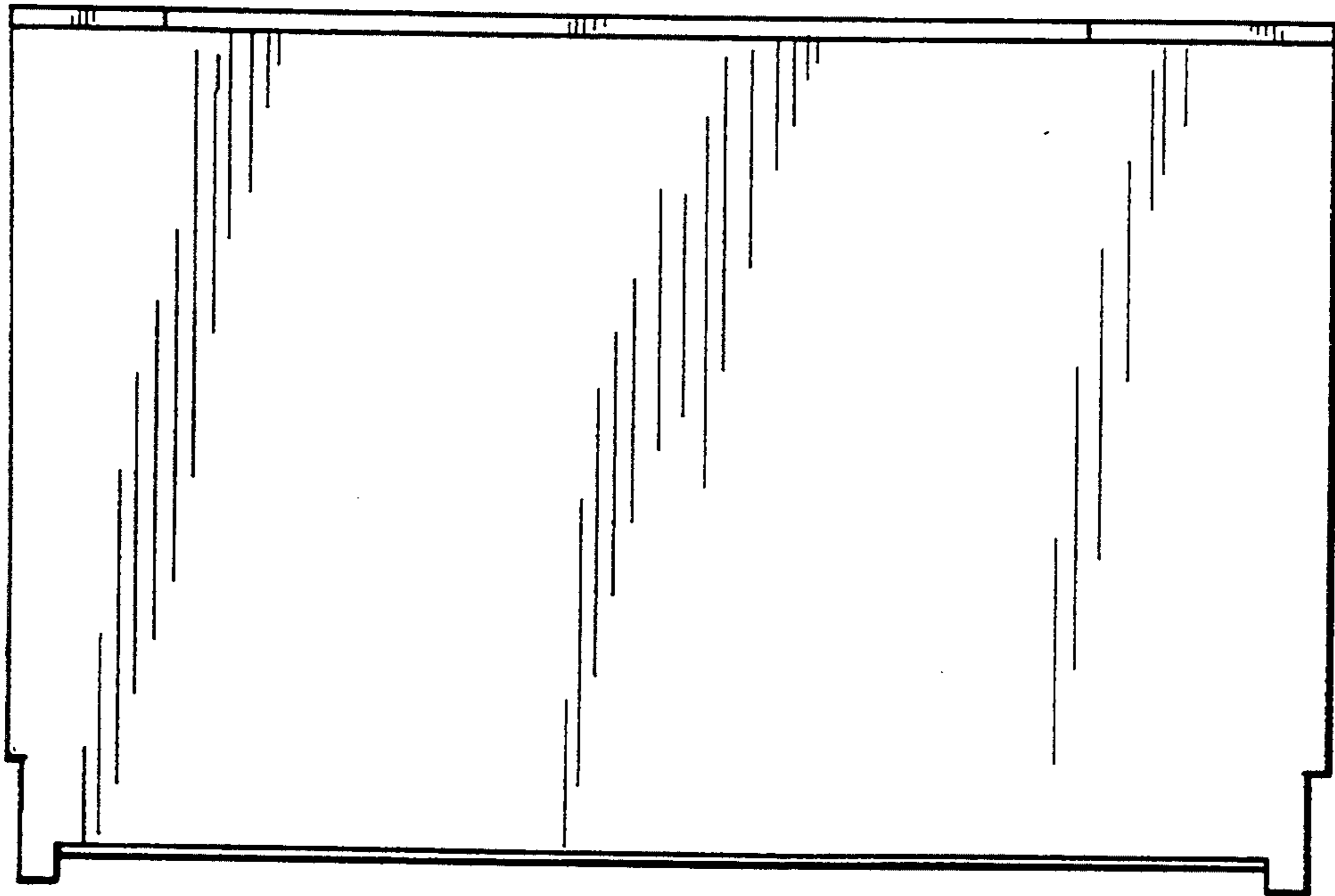
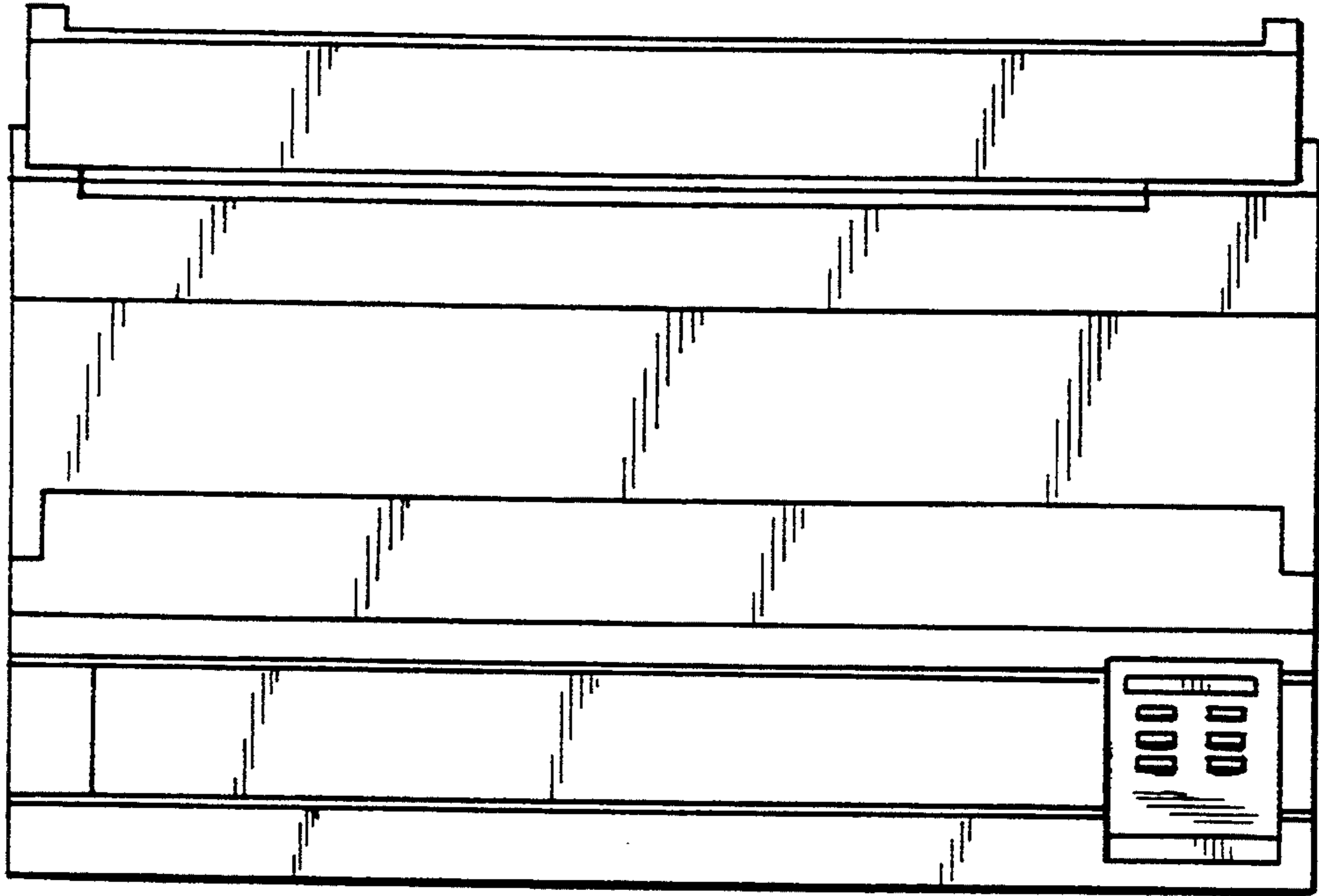


FIG. 6

FIG. 7

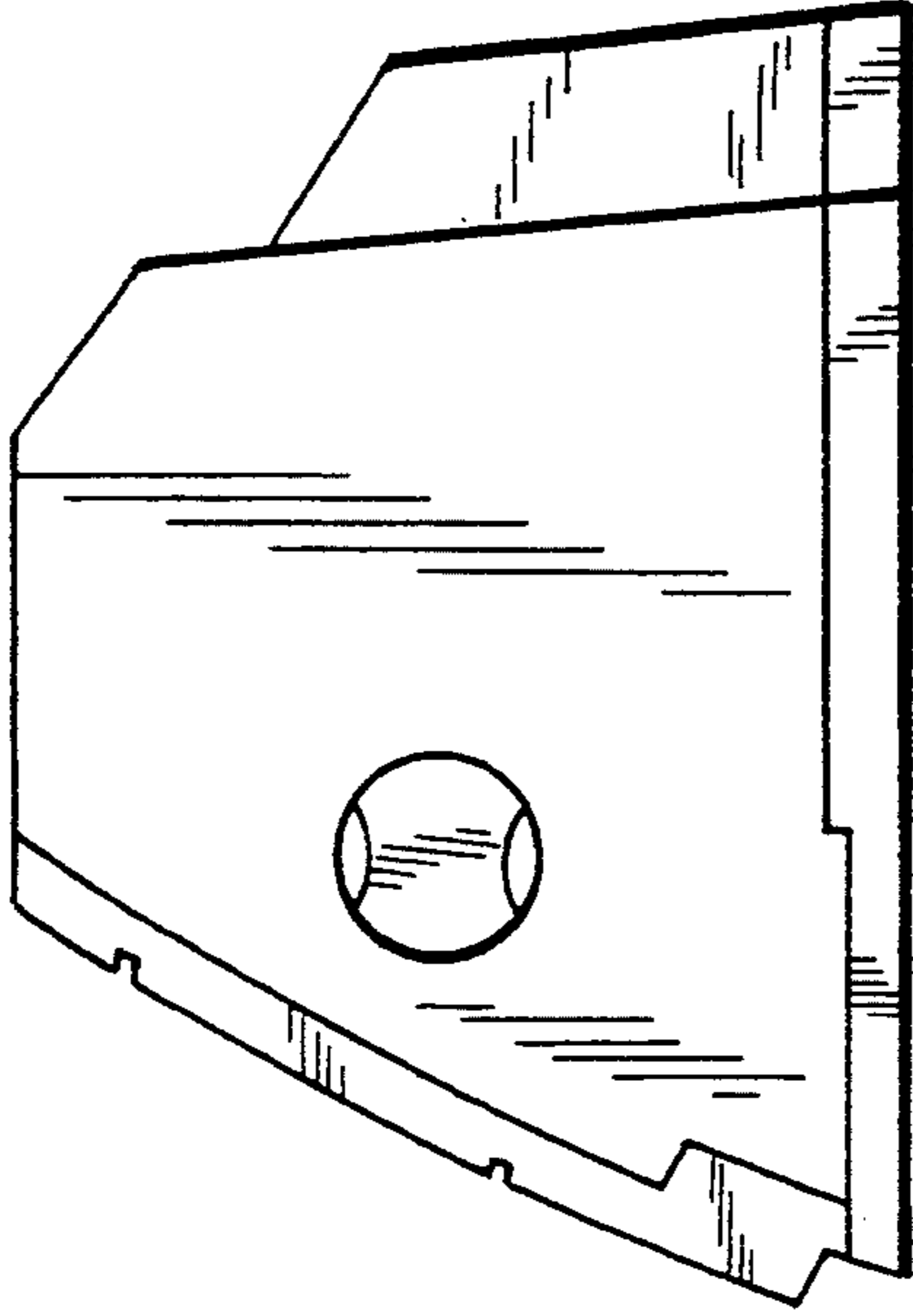


FIG. 8

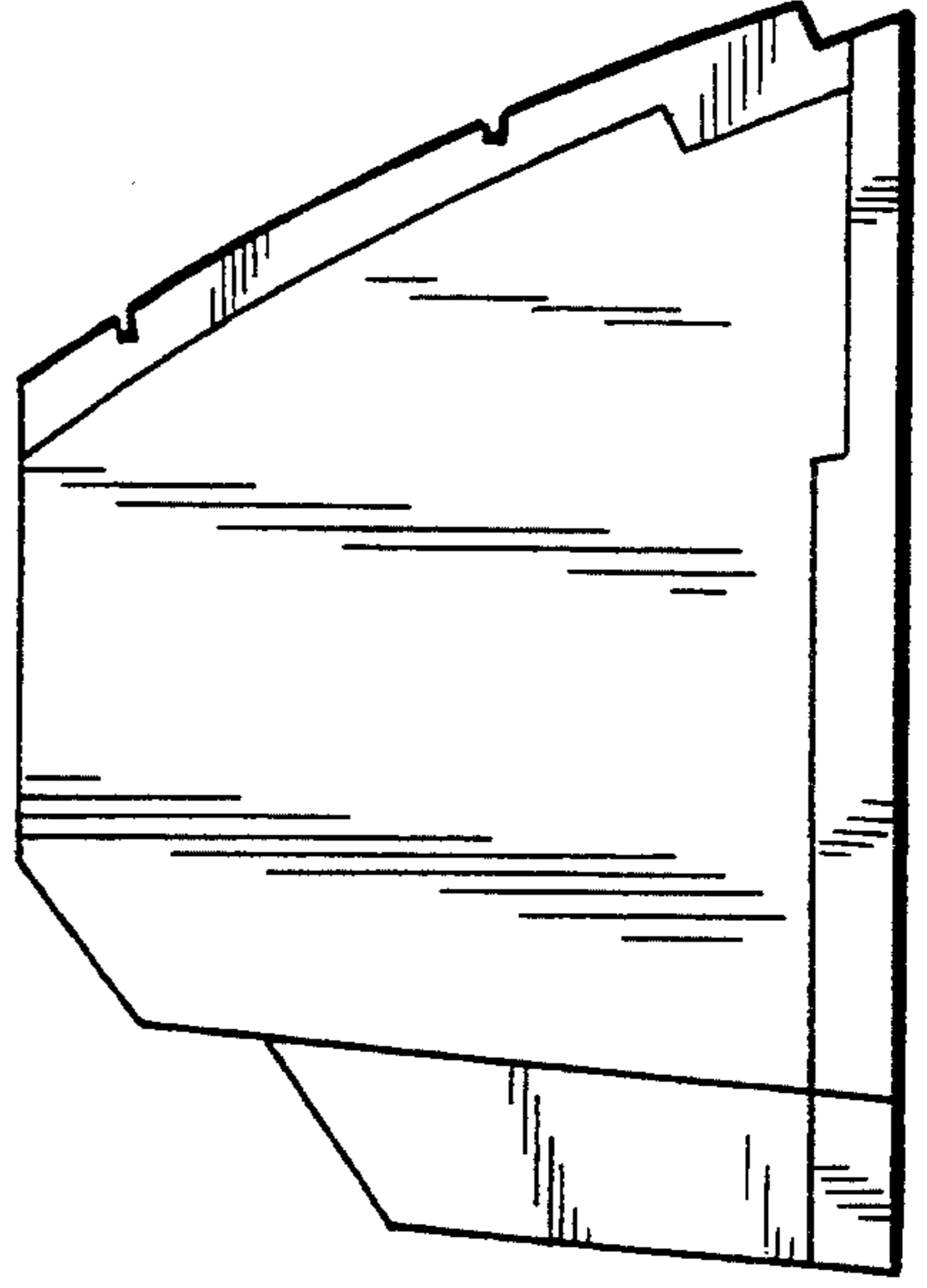


FIG. 3

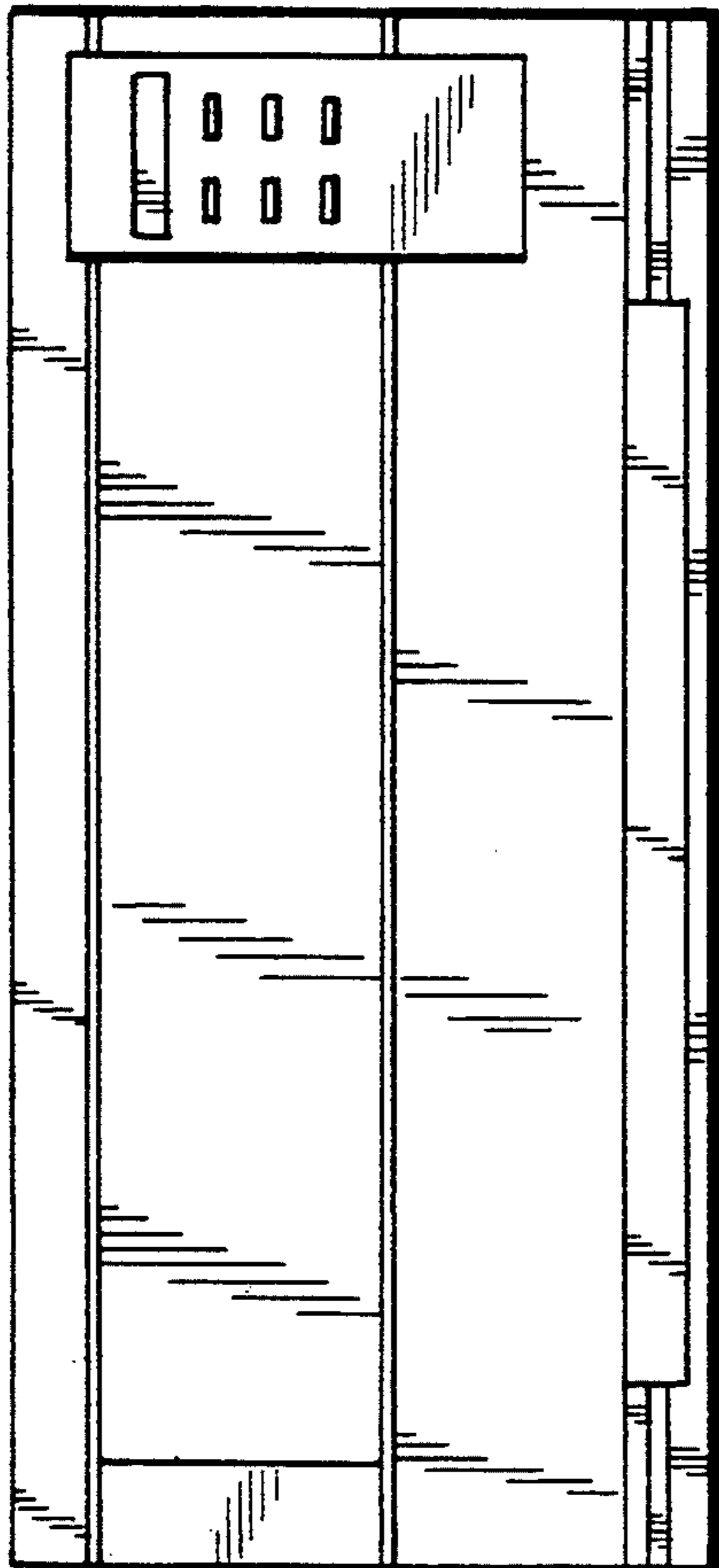


FIG. 4

