



US00D350363S

United States Patent [19]

[11] Patent Number: **Des. 350,363**

Iwamoto

[45] Date of Patent: **** Sep. 6, 1994**

[54] **INK RIBBON CARTRIDGE**

[75] Inventor: **Masaaki Iwamoto, Tokyo, Japan**

[73] Assignee: **Oki Electric Industry Co., Ltd., Tokyo, Japan**

[**] Term: **14 Years**

[21] Appl. No.: **896,962**

[22] Filed: **Jun. 11, 1992**

[30] **Foreign Application Priority Data**

Apr. 3, 1992 [JP] Japan 09715/1992

[52] U.S. Cl. **D18/12**

[58] Field of Search 400/194, 195, 196, 196.1, 400/207, 208; D18/12, 56; D14/120, 121

[56] **References Cited**

U.S. PATENT DOCUMENTS

- D. 237,010 9/1975 Gnutzman et al. D18/1
- D. 284,978 8/1986 Kusabuka et al. D18/12
- D. 302,438 7/1989 Omino et al. D18/12
- D. 302,827 8/1989 Fujita D18/12
- 4,653,947 3/1987 Echols 400/196.1 X
- 4,832,514 5/1989 Basile 400/208 X
- 5,141,342 8/1992 Kawahara 400/194 X
- 5,201,592 4/1993 Mizutani et al. 400/194

FOREIGN PATENT DOCUMENTS

- 52819 4/1984 Canada .
- 52956 6/1984 Canada .
- 52957 6/1984 Canada .
- 55622 1/1986 Canada .
- 59700 11/1987 Canada .
- 59719 11/1987 Canada .
- 64240 9/1989 Canada .
- 018384 12/1990 Canada .
- M8801013 11/1988 Fed. Rep. of Germany .
- M8803078 6/1989 Fed. Rep. of Germany .

- M8804183 6/1989 Fed. Rep. of Germany .
- M8907530 2/1990 Fed. Rep. of Germany .
- M8906093 4/1990 Fed. Rep. of Germany .
- M9001235 11/1990 Fed. Rep. of Germany .
- M9004730 11/1990 Fed. Rep. of Germany .
- 215767 3/1984 France .
- 245970 3/1987 France .
- 264840 8/1988 France .
- 281476 12/1989 France .
- 038772 9/1984 Japan .
- 660985 6/1985 Japan .
- 006286 2/1988 Japan .
- 759121 12/1988 Japan .

OTHER PUBLICATIONS

Catalogue: By Fujitsu Kabushiki Kaisha; date unknown.

Catalogue: By Kabushiki Kaisha Toshiba; date unknown.

Catalogue: By NEC; date unknown.

Primary Examiner—Alan P. Douglas

Assistant Examiner—Caron D. Veynar

Attorney, Agent, or Firm—Wenderoth, Lind & Ponack

[57] **CLAIM**

The ornamental design for an ink ribbon cartridge, as shown and described.

DESCRIPTION

FIG. 1 is a right side, top and front perspective view of an ink ribbon cartridge showing my new design;

FIG. 2 is a front elevational view thereof;

FIG. 3 is a rear elevational view thereof;

FIG. 4 is a top plan view thereof;

FIG. 5 is a bottom view thereof;

FIG. 6 is a left side elevational view thereof;

FIG. 7 is a right side elevational view thereof; and,

FIG. 8 is a sectional view thereof, taken along line VIII—VIII in FIG. 2.

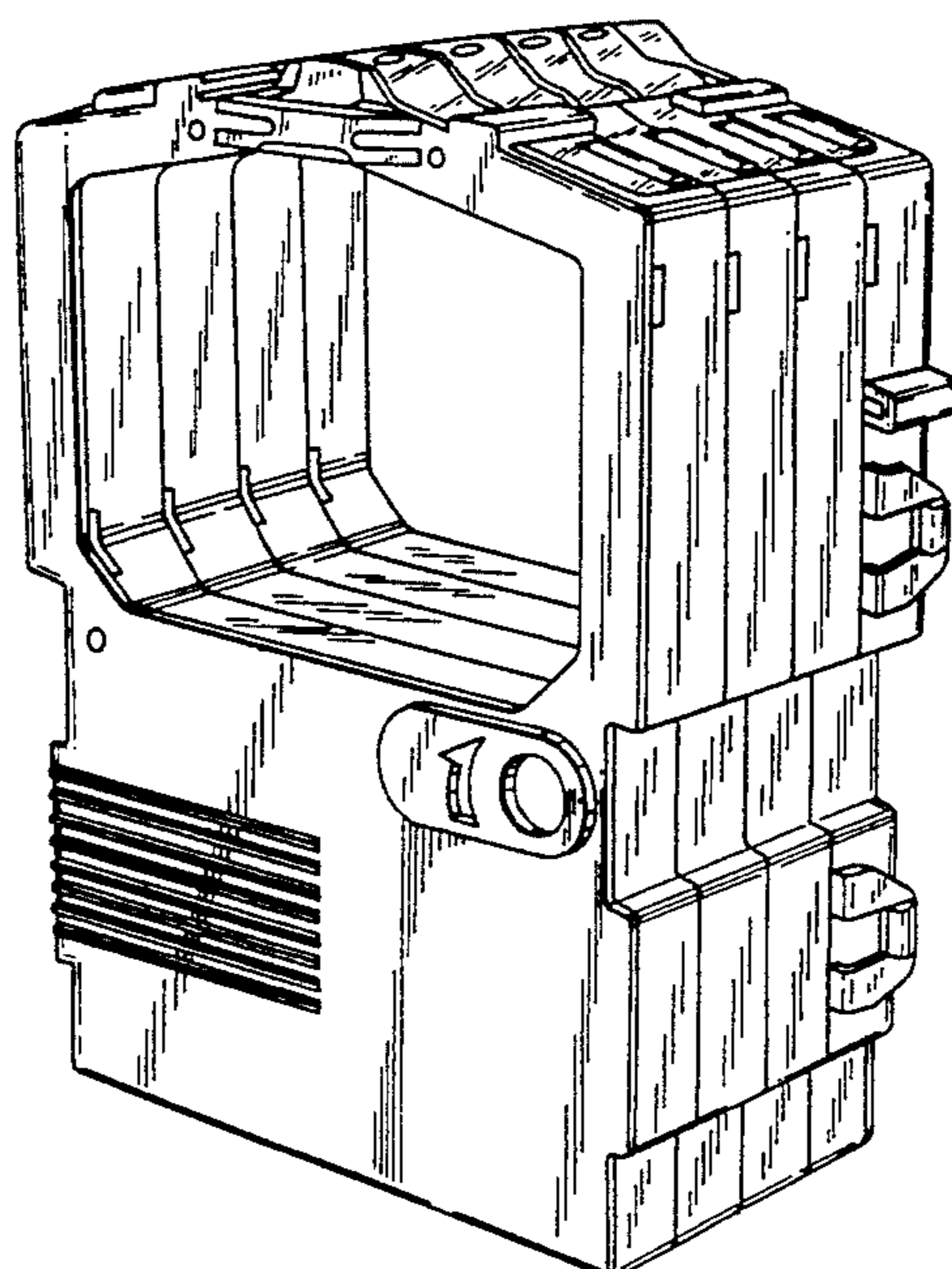


Fig. 1

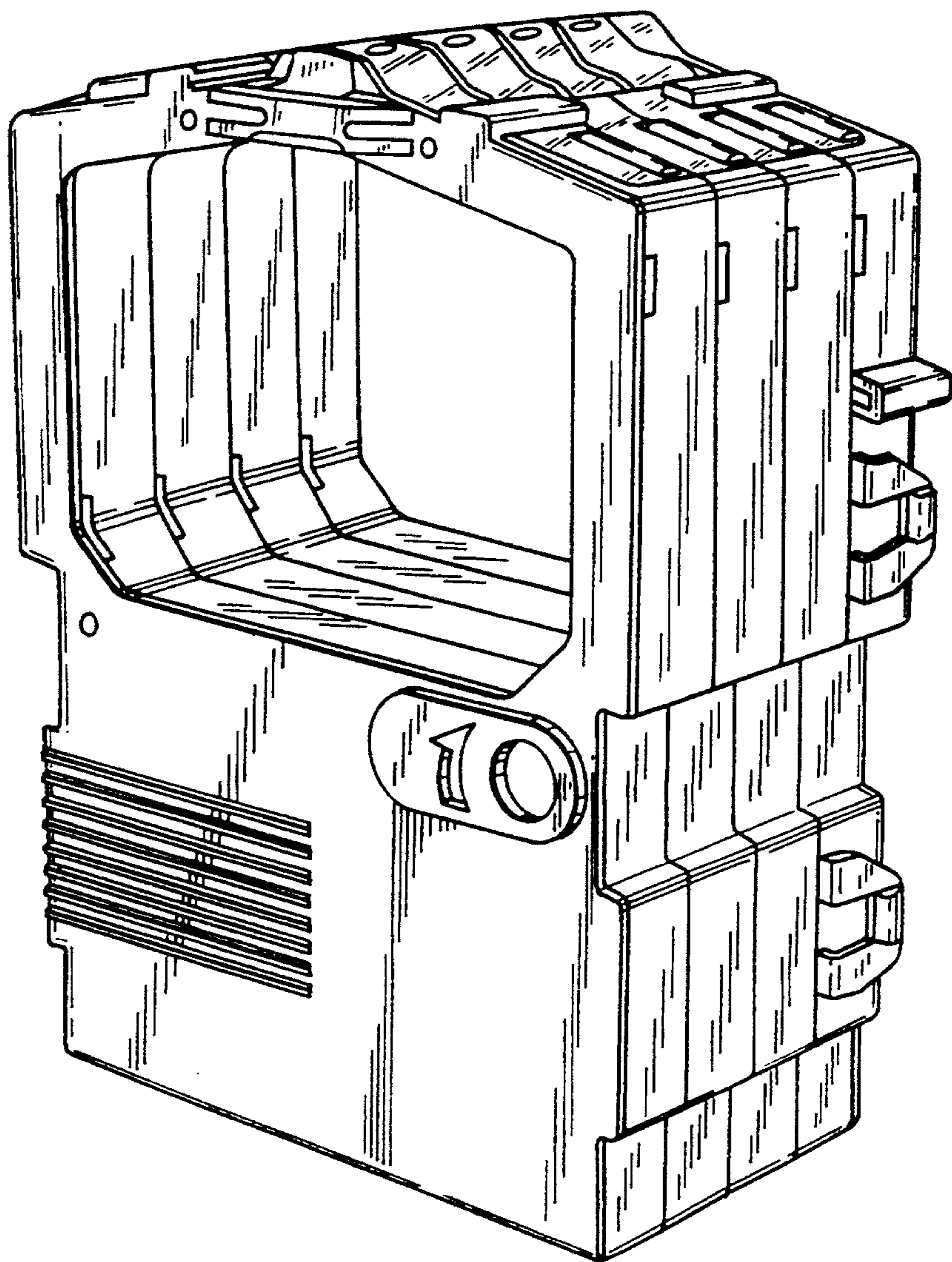


Fig. 2

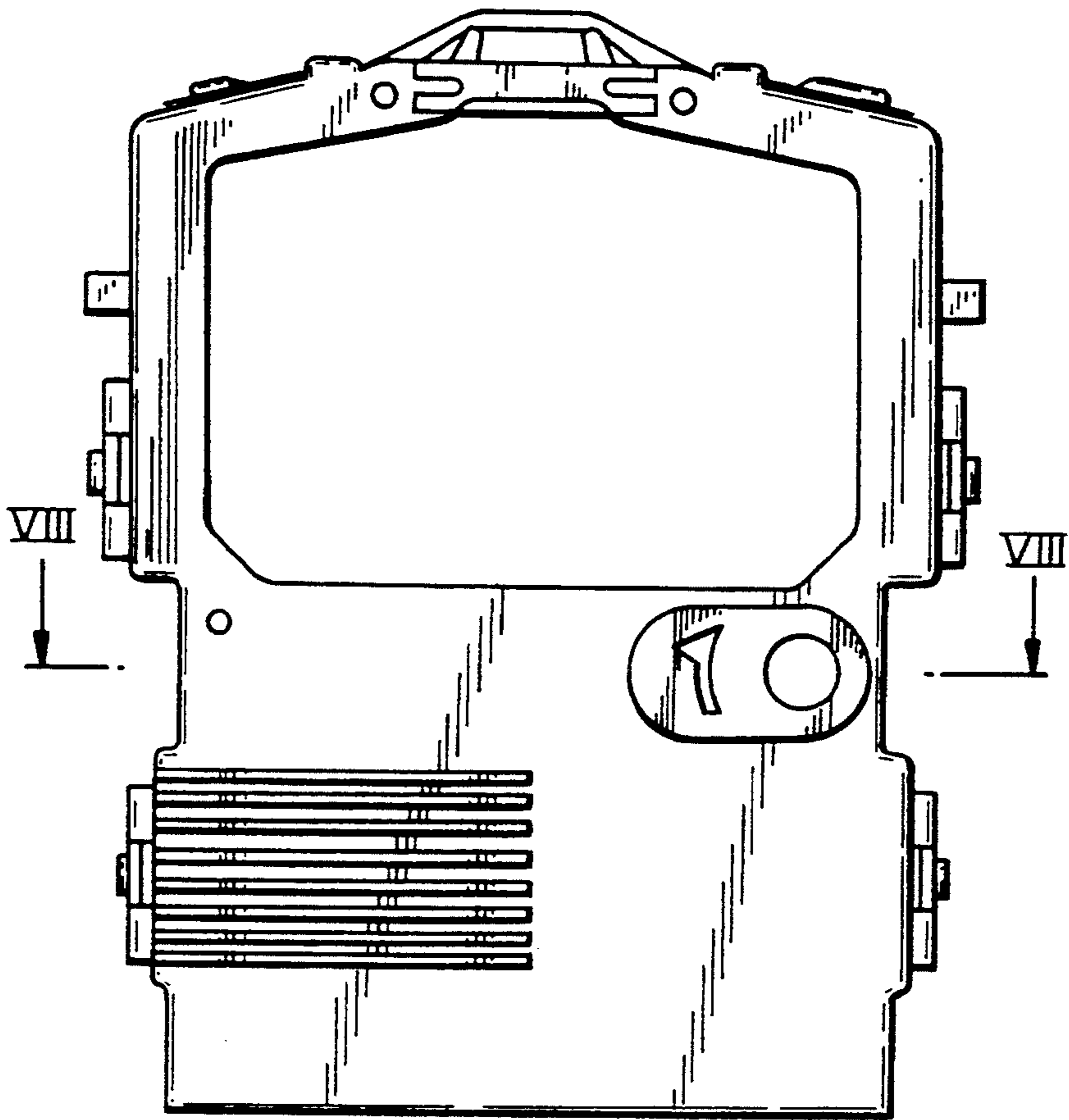


Fig. 3

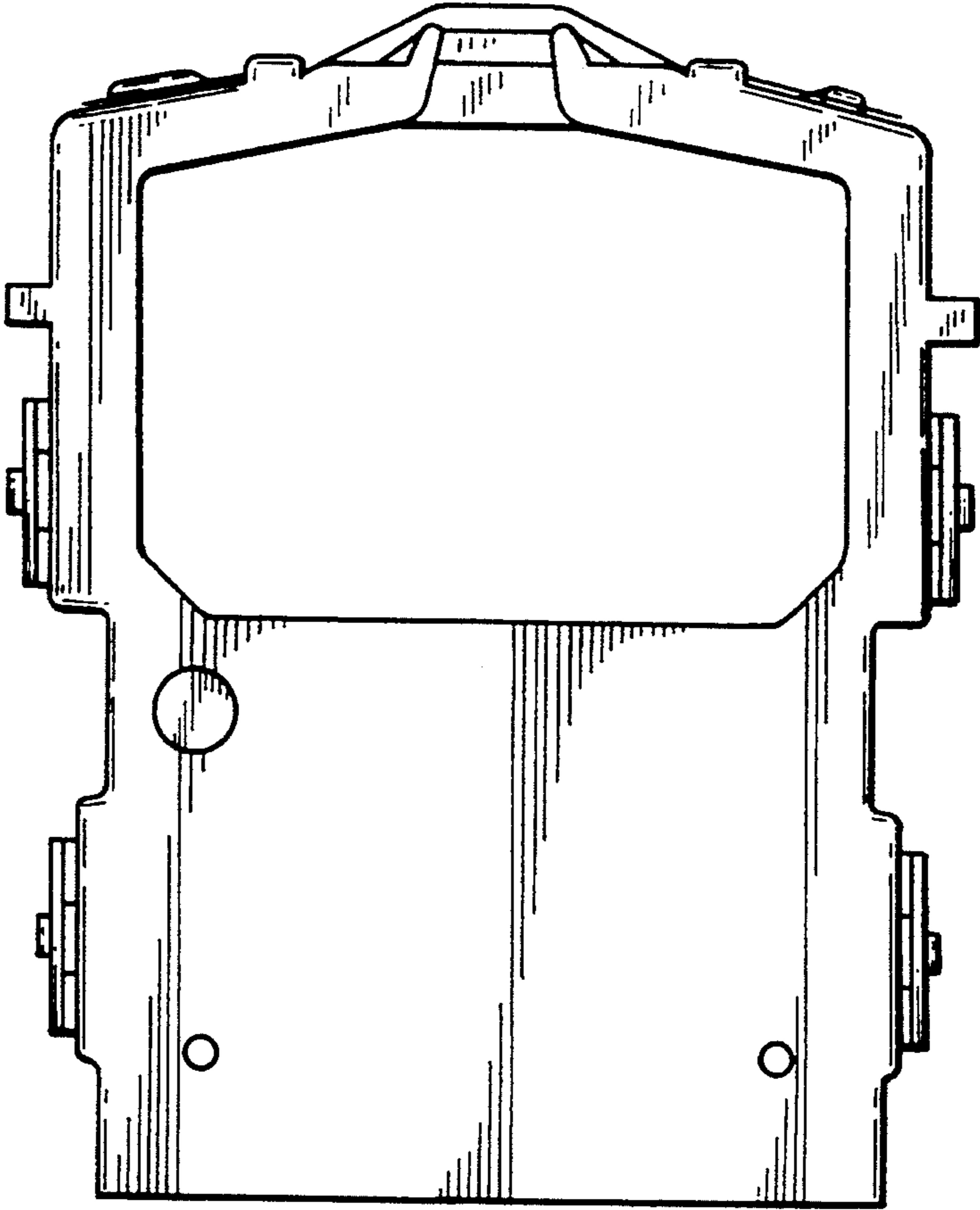


Fig. 4

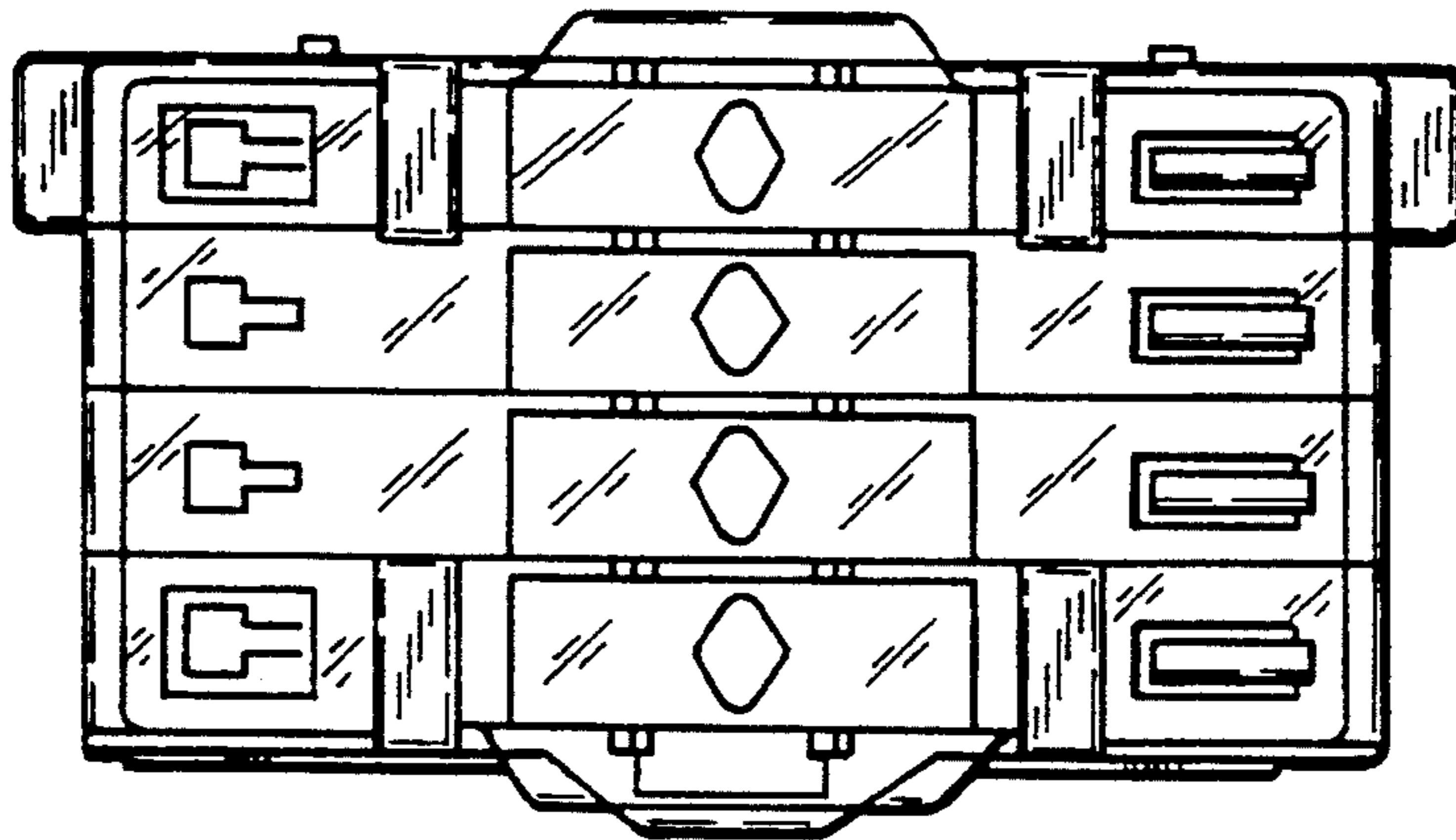


Fig. 5

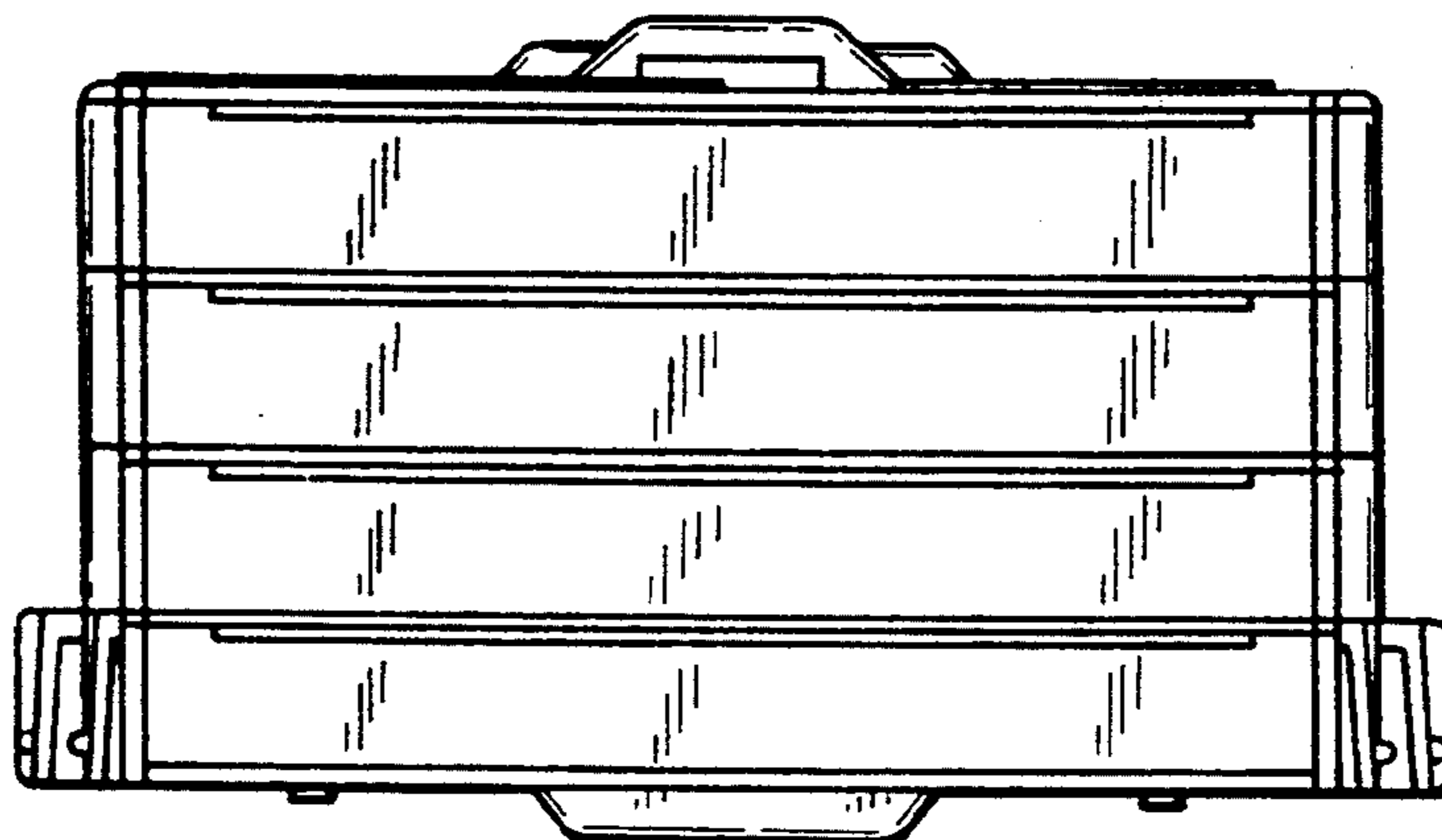


Fig. 6

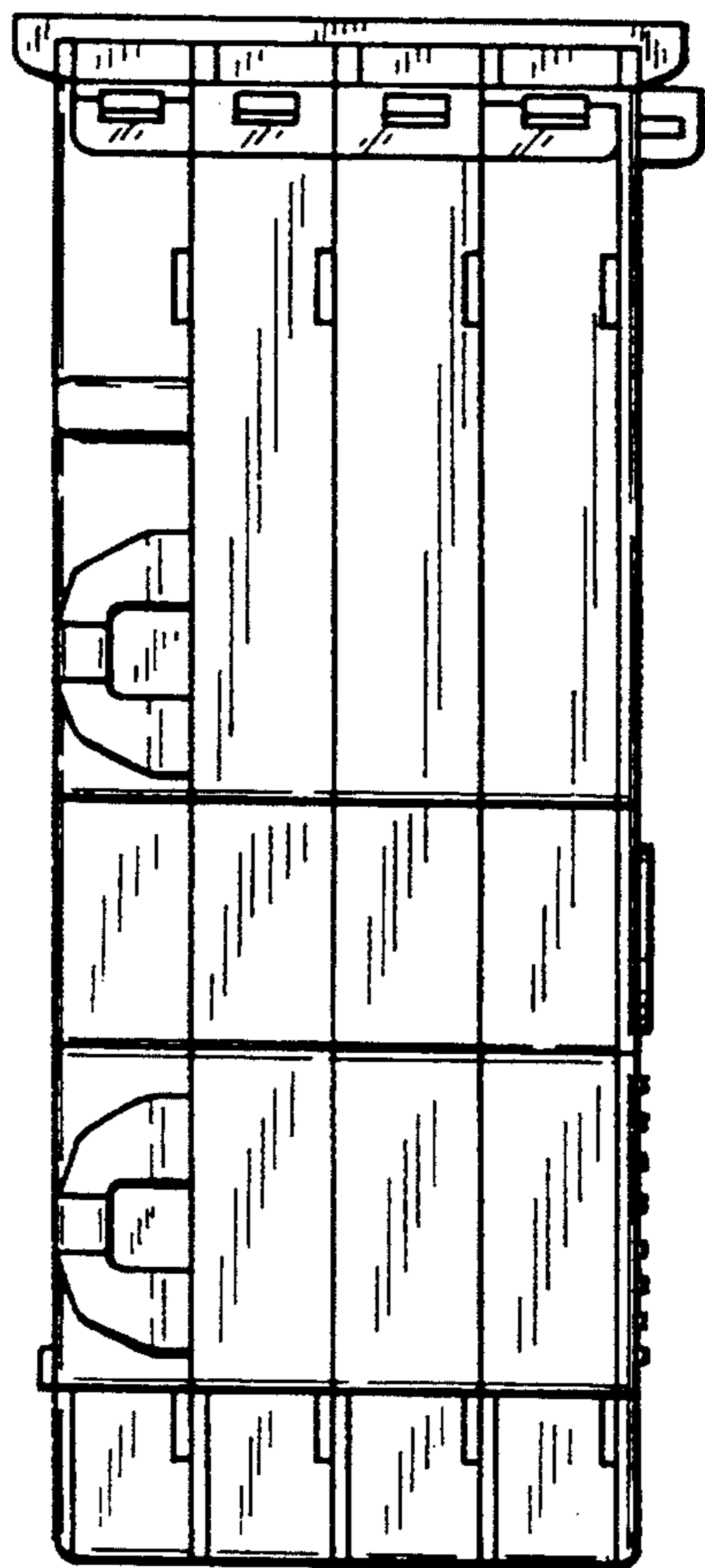


Fig. 7

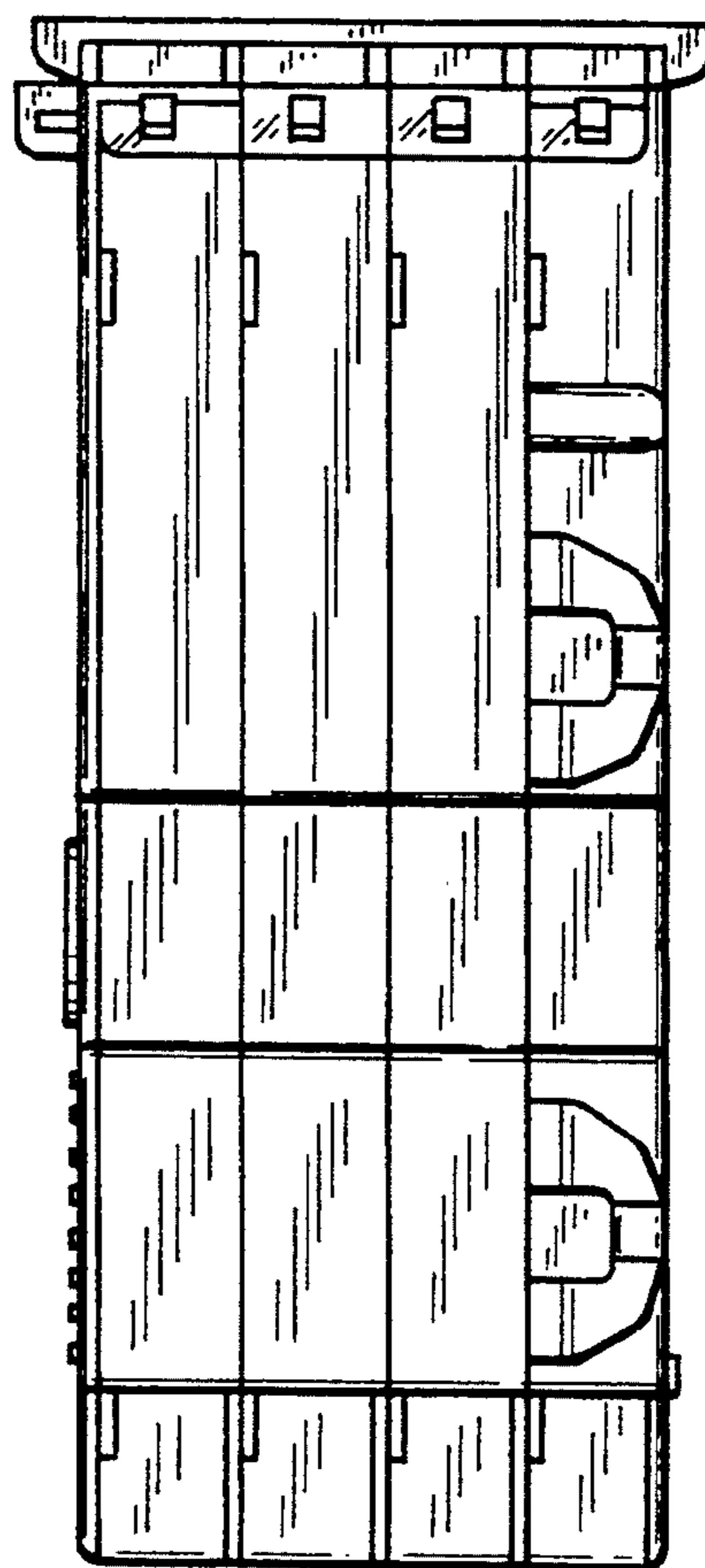


Fig. 8

