



US00D350362S

United States Patent [19]

Fujii

[11] Patent Number: **Des. 350,362**

[45] Date of Patent: **** Sep. 6, 1994**

[54] **MUSICAL DRUM RIM**

[75] Inventor: **Junji Fujii, Hamamatsu, Japan**

[73] Assignee: **Yamaha Corporation, Japan**

[**] Term: **14 Years**

[21] Appl. No.: **784,823**

[22] Filed: **Oct. 30, 1991**

[30] **Foreign Application Priority Data**

May 8, 1991 [JP] Japan 13170

[52] U.S. Cl. **D17/22**

[58] Field of Search 84/411 R, 421; D17/22

[56] **References Cited**

U.S. PATENT DOCUMENTS

- D. 58,747 8/1921 Gulick D17/22
- D. 308,217 5/1990 Cohen D17/22
- 373,873 11/1887 Wurlitzer 84/421

- 4,283,985 8/1981 Famularo 84/411 R
- 4,648,302 3/1987 Bozzio 84/730
- 4,970,933 11/1990 Hsieh 84/411 R

Primary Examiner—B. J. Bullock
Assistant Examiner—Adir Aronovich
Attorney, Agent, or Firm—Ostrolenk, Faber, Gerb & Soffen

[57] **CLAIM**

The ornamental design for musical drum rim, as shown.

DESCRIPTION

FIG. 1 is a perspective view of a musical drum rim showing my new design;
 FIG. 2 is a bottom plan view thereof;
 FIG. 3 is a top plan view thereof;
 FIG. 4 is a front view thereof;
 FIG. 5 is a right-side view thereof; and
 FIG. 6 is an enlarged fragmentary sectional view taken in the direction of the arrows 6—6 of FIG. 1.

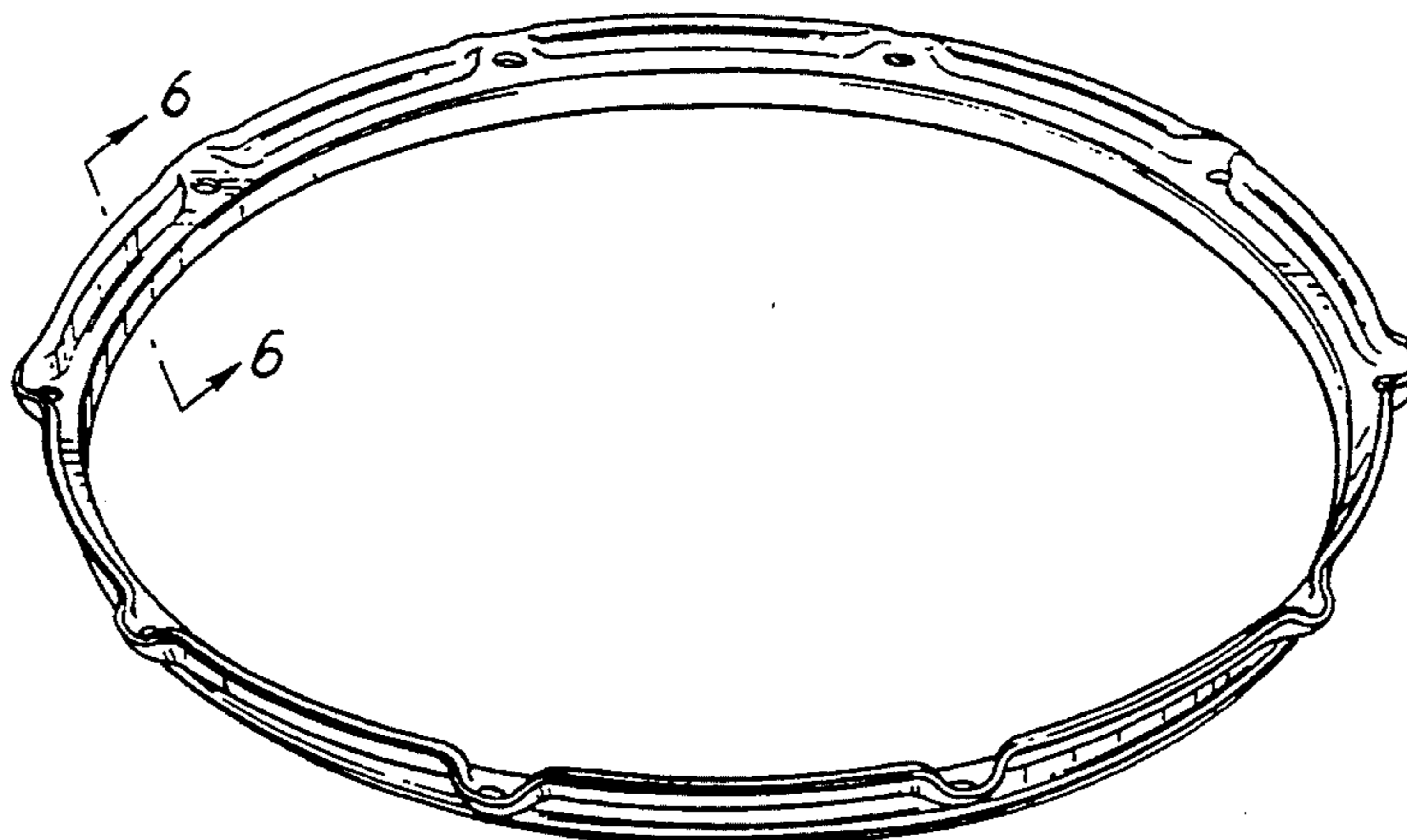


FIG. 1

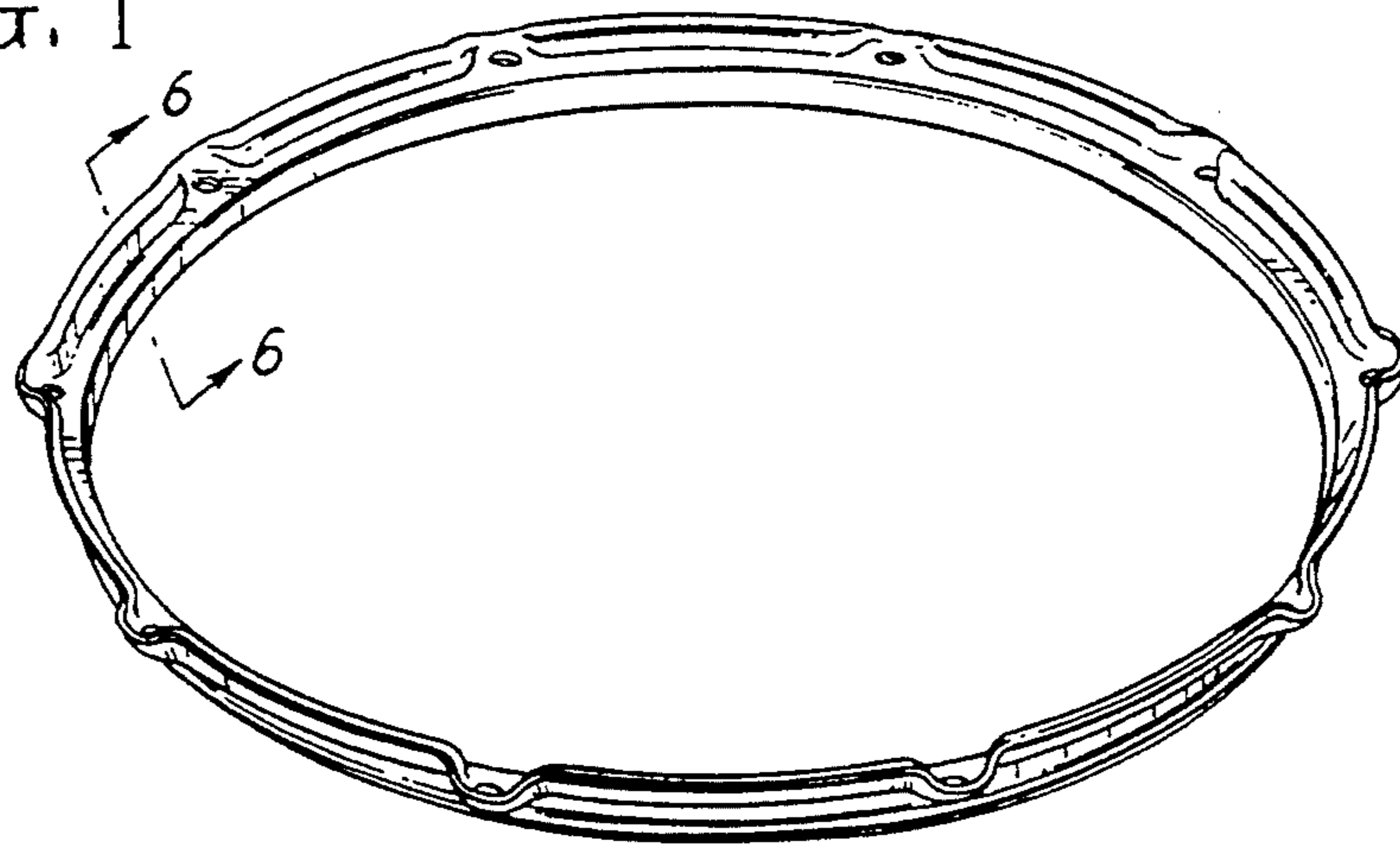


FIG. 2

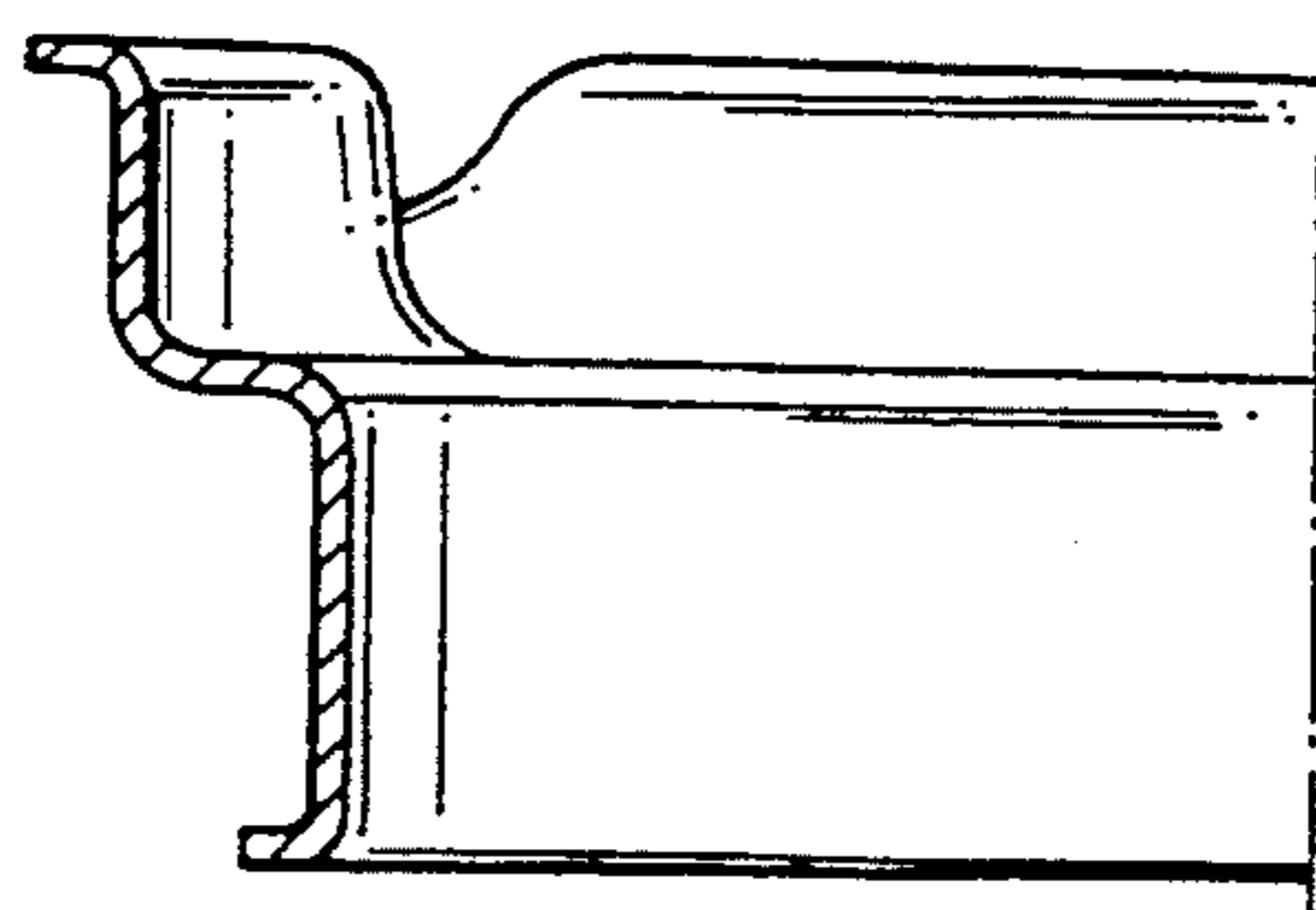
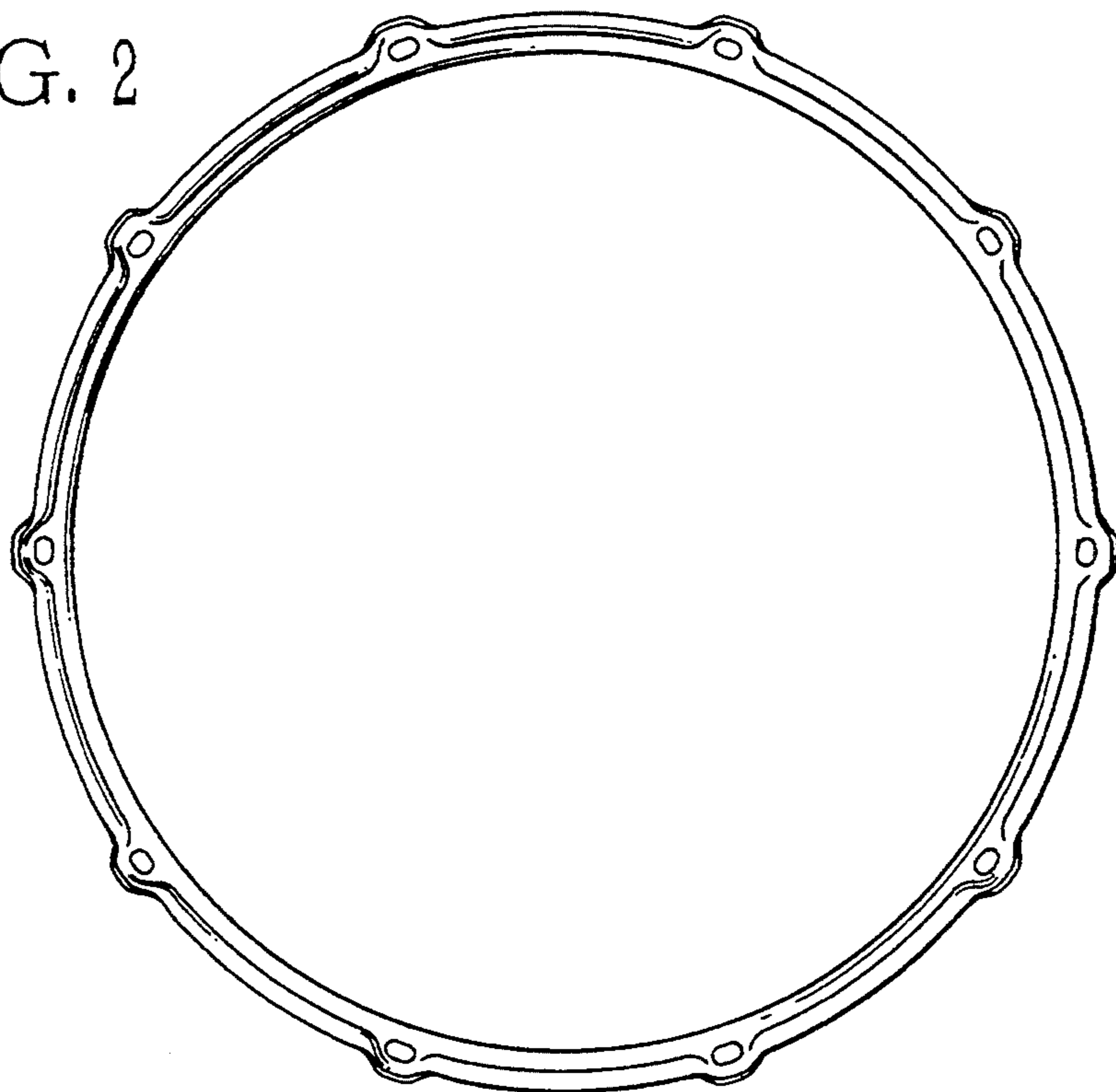


FIG. 6

FIG. 3

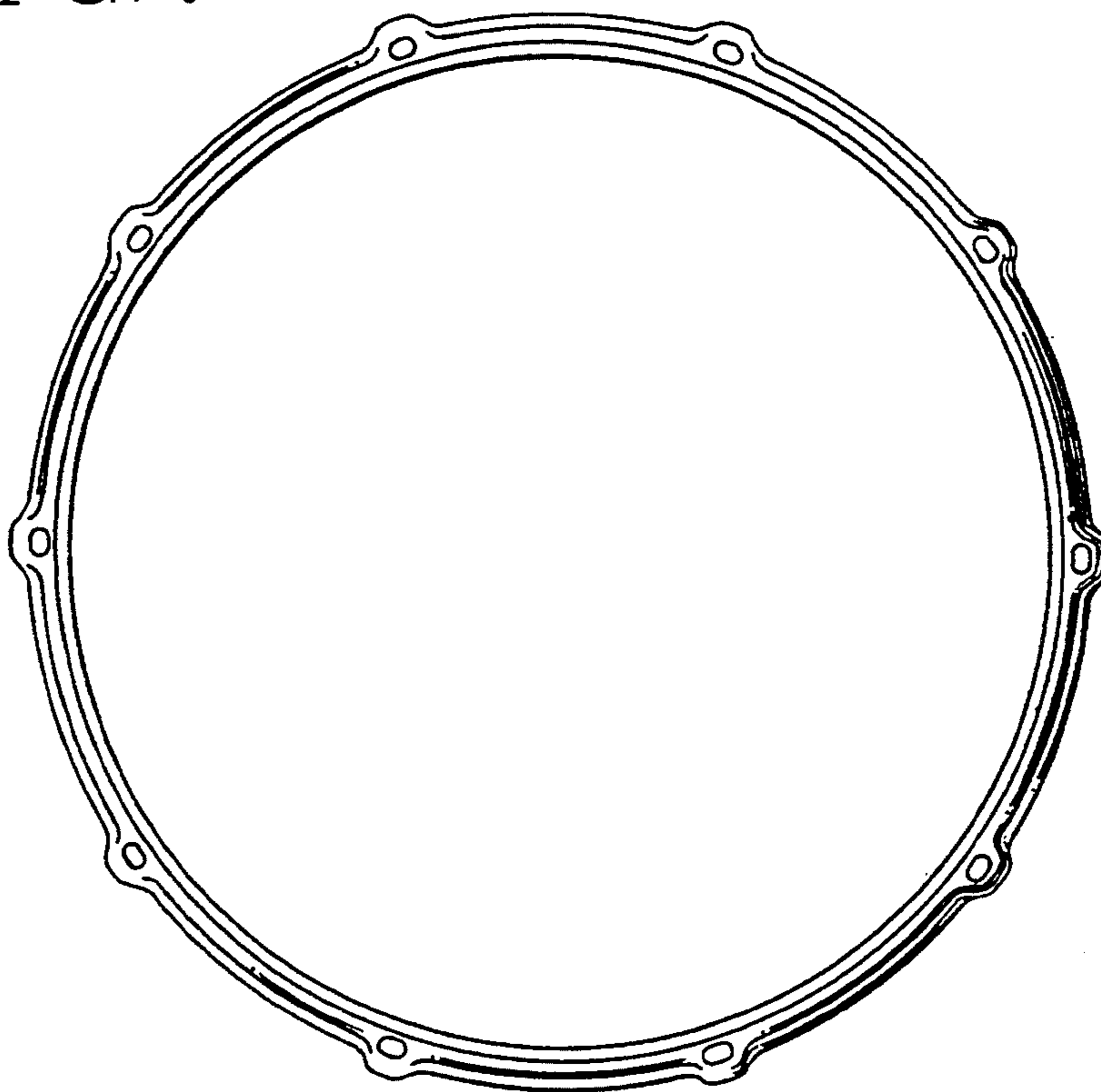


FIG. 4

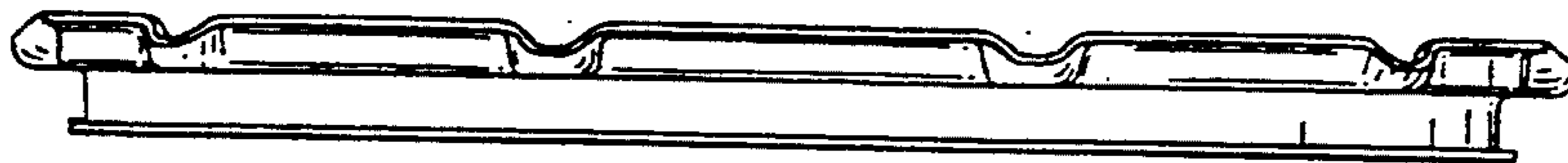


FIG. 5

