



US00D350361S

United States Patent [19]

[11] Patent Number: **Des. 350,361**

Hasegawa

[45] Date of Patent: **** Sep. 6, 1994**

[54] **OVERHEAD PROJECTOR**

[75] Inventor: **Fumio Hasegawa, Nagoya, Japan**

[73] Assignee: **Elmo Company, Japan**

[**] Term: **14 Years**

[21] Appl. No.: **879,223**

[22] Filed: **May 6, 1992**

[30] **Foreign Application Priority Data**

Jan. 8, 1992 [JP] Japan 4-172

[52] U.S. Cl. **D16/232**

[58] Field of Search 353/61, 66, 119, 122,
353/DIG. 3, DIG. 4; D16/221, 225, 232, 233

[56] **References Cited**

U.S. PATENT DOCUMENTS

- D. 197,258 12/1963 Highberger D16/232
- D. 211,760 7/1968 Blomgren D16/232
- D. 244,602 6/1977 Mango et al. D16/232
- 5,159,363 10/1992 Brauning 353/122

FOREIGN PATENT DOCUMENTS

627913 12/1980 Japan .

779326 1/1987 Japan .

778414 11/1987 Japan .

779008 11/1987 Japan .

1-136134 5/1989 Japan 353/119

OTHER PUBLICATIONS

Overhead Projectors Catalog, 1968, p. 3.

Primary Examiner—Bernard Ansher

Assistant Examiner—Adir Aronovich

Attorney, Agent, or Firm—Ostrolenk, Faber, Gerb & Soffen

[57] **CLAIM**

The ornamental design for an overhead projector, as shown.

DESCRIPTION

FIG. 1 is a top plan view of the overhead projector embodying my new design;

FIG. 2 is a front view thereof;

FIG. 3 is a right side view thereof;

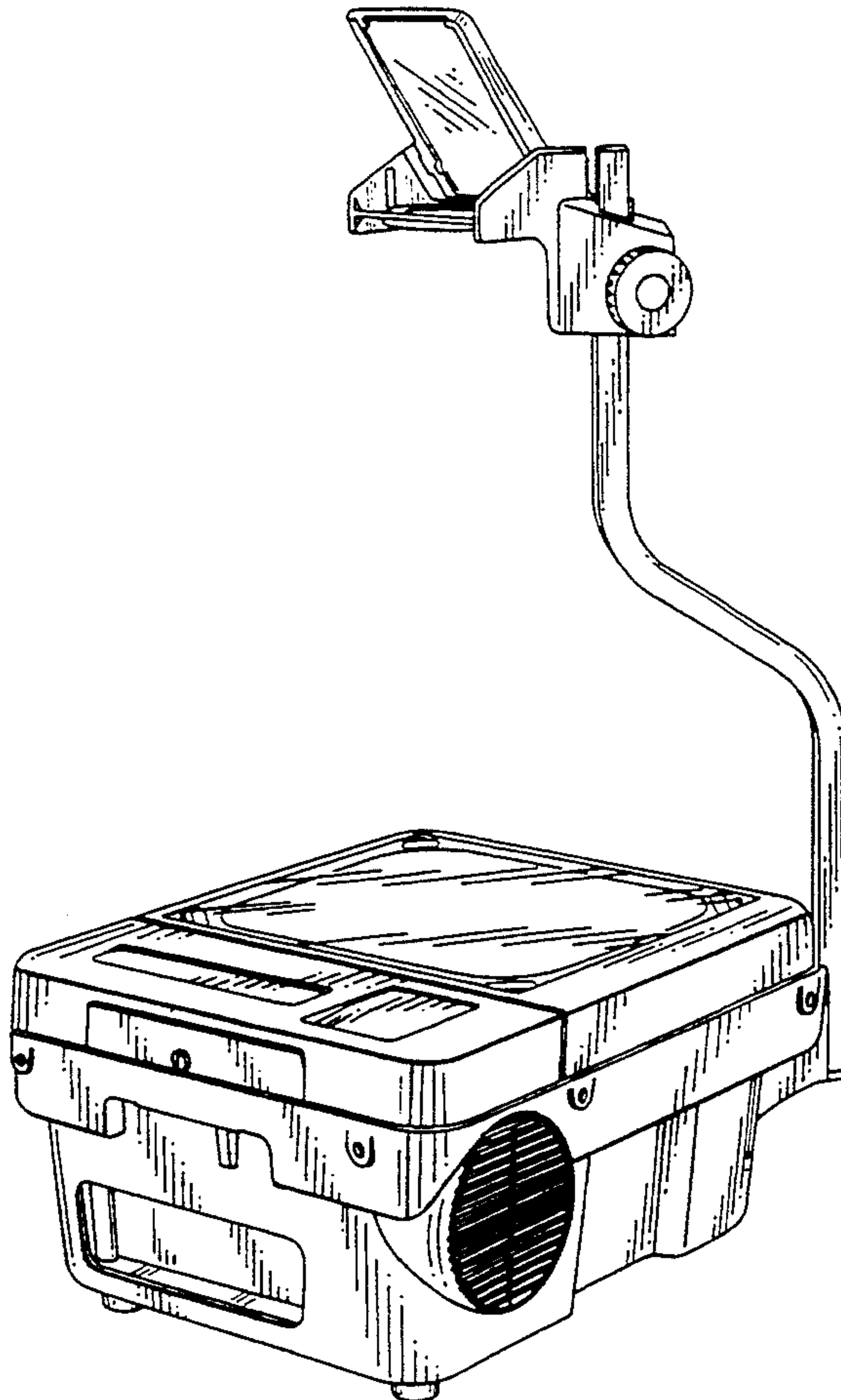
FIG. 4 is a rear view thereof;

FIG. 5 is a left side view thereof;

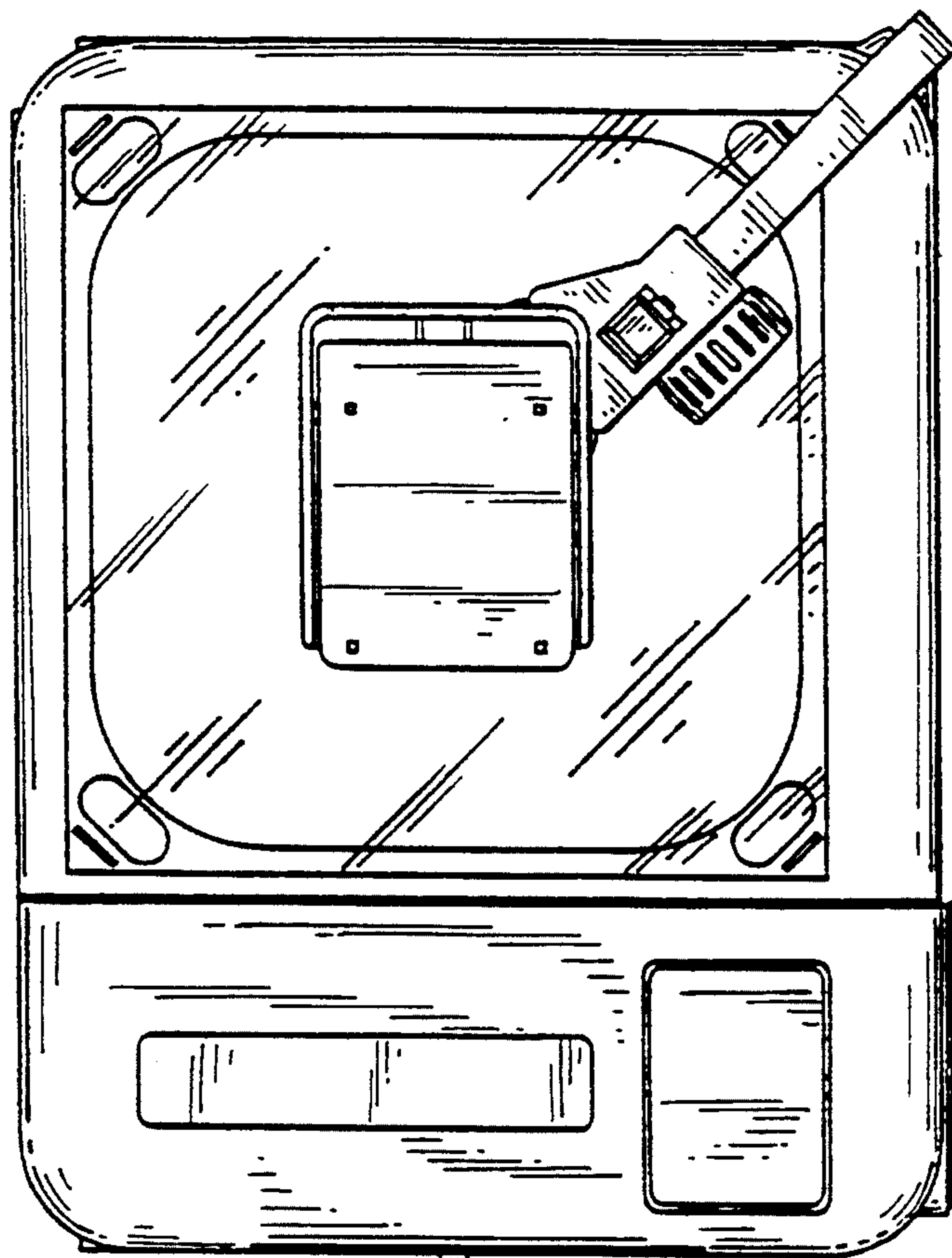
FIG. 6 is a bottom side view thereof;

FIG. 7 is a top, front perspective view thereof; and,

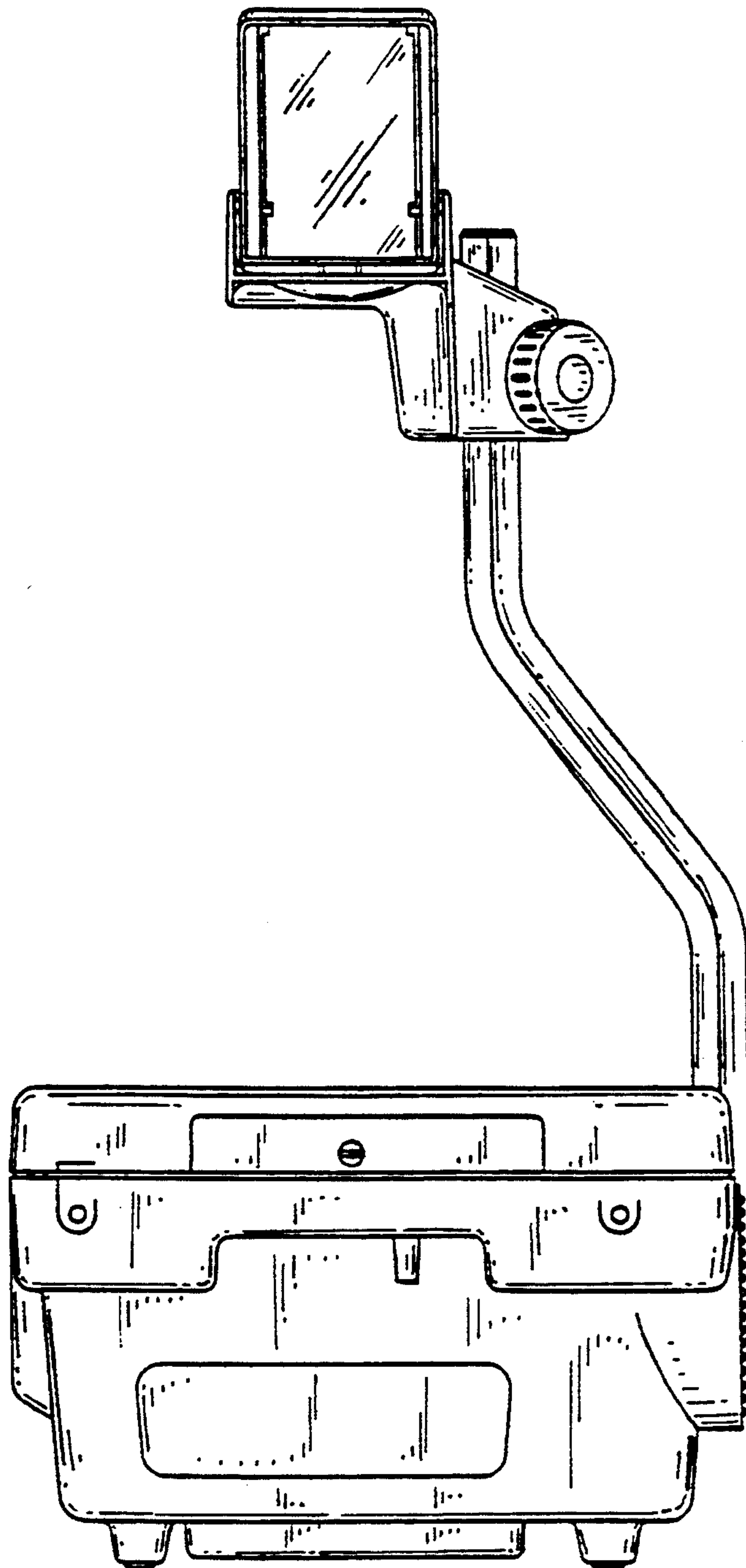
FIG. 8 is a bottom, rear perspective view thereof.



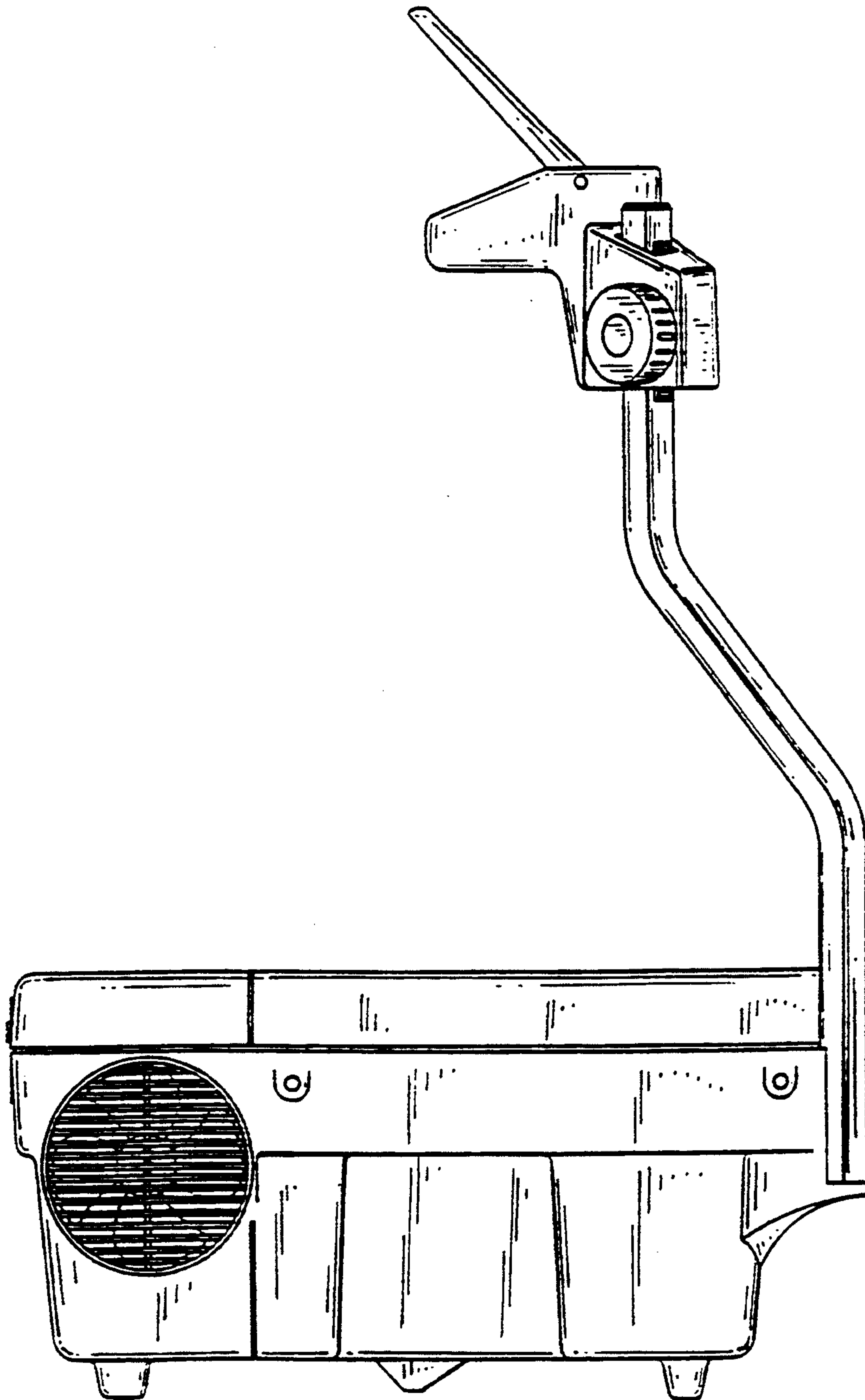
F i g . 1



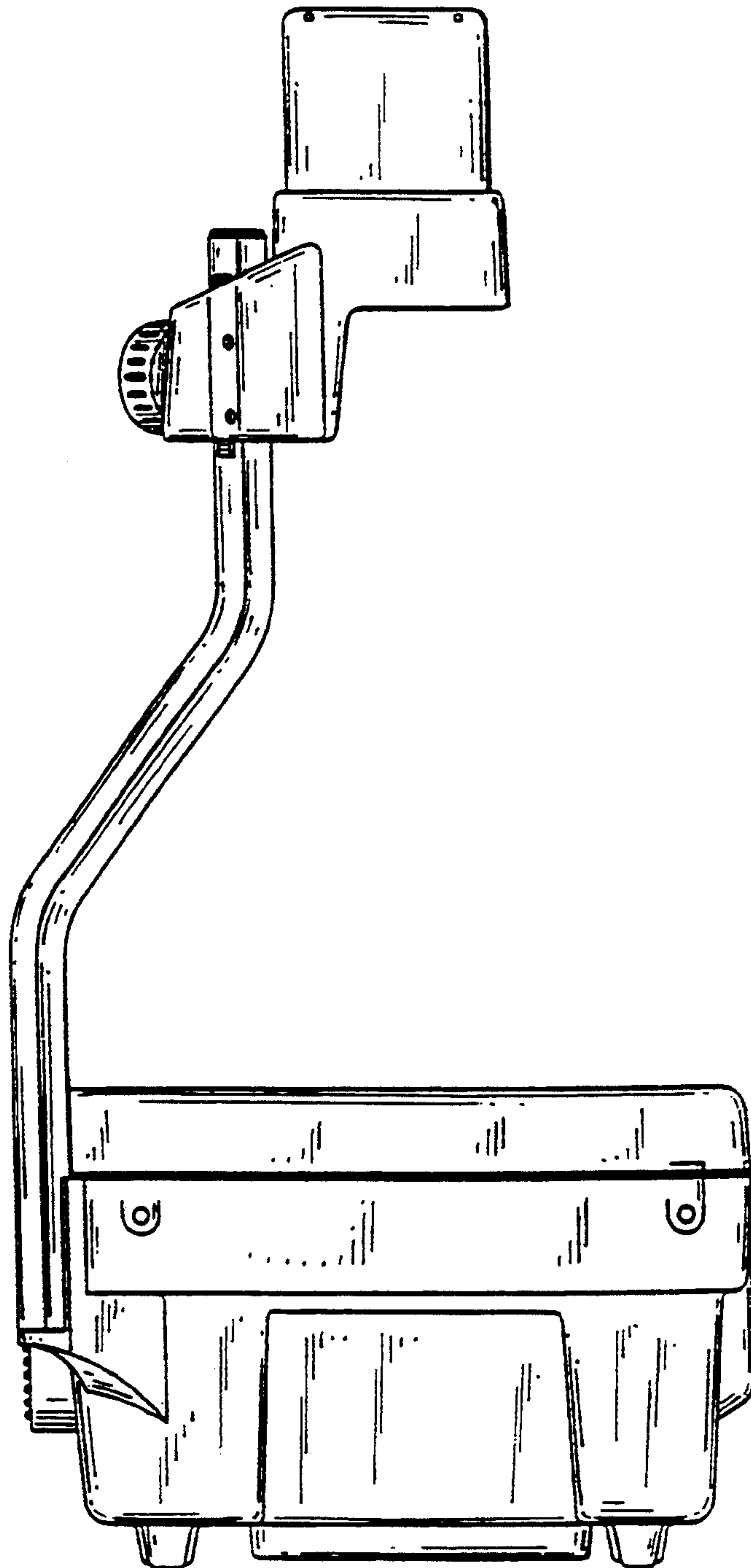
F i g . 2



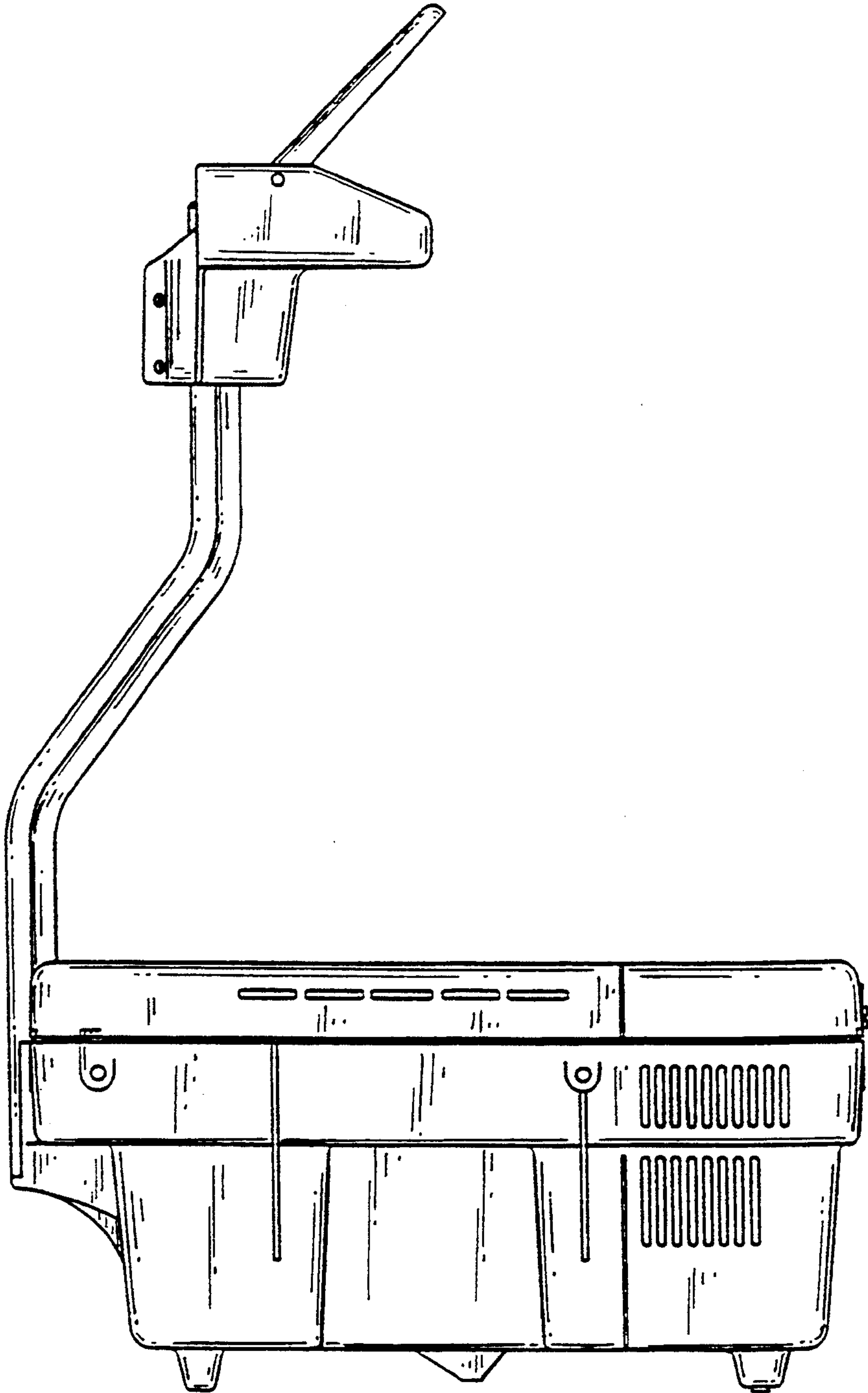
F i g . 3



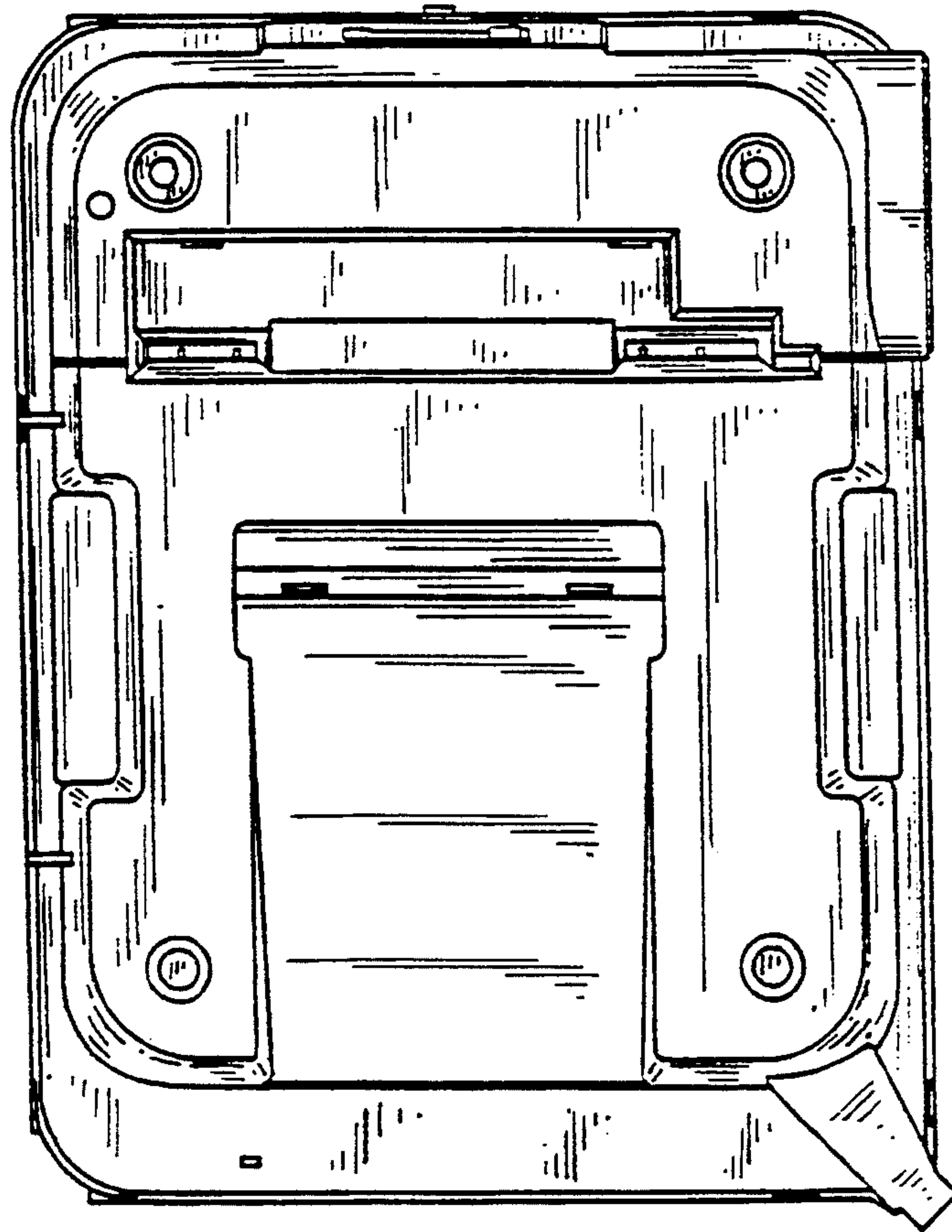
F i g . 4



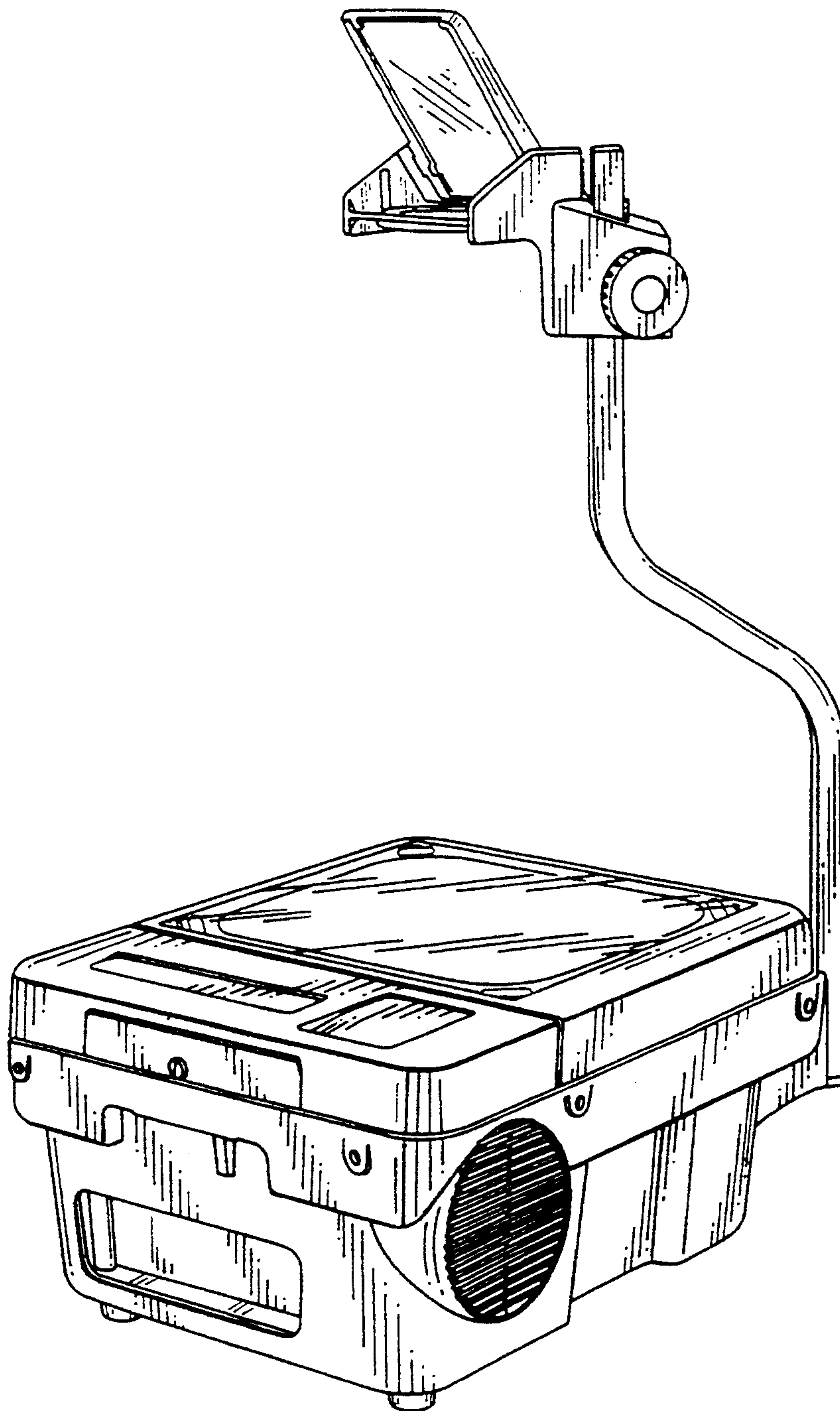
F i g . 5



F i g . 6



F i g . 7



F i g . 8

