



US00D350357S

United States Patent [19]

[11] Patent Number: **Des. 350,357**

Maine

[45] Date of Patent: **** Sep. 6, 1994**

[54] **LAWN MOWER CLEANING ATTACHMENT**

5,152,549 10/1992 Aird 280/728

[76] Inventor: **Yarmouth Maine**, 501 Ledge Rd.,
Yarmouth, Me. 04096

Primary Examiner—Bernard Ansher
Assistant Examiner—Sandra Morris
Attorney, Agent, or Firm—Stan Jones; L. S. Saulsbury

[**] Term: **14 Years**

[21] Appl. No.: **845,437**

[57] **CLAIM**

[22] Filed: **Mar. 5, 1992**

The ornamental design of a lawn mower cleaning attachment, as shown and described.

[52] U.S. Cl. **D15/17**

[58] Field of Search 56/13.1, 13.4, 16.7,
56/17.5, 202, 294, 320.1, 320.2; 239/DIG. 6;
D15/10, 14-18

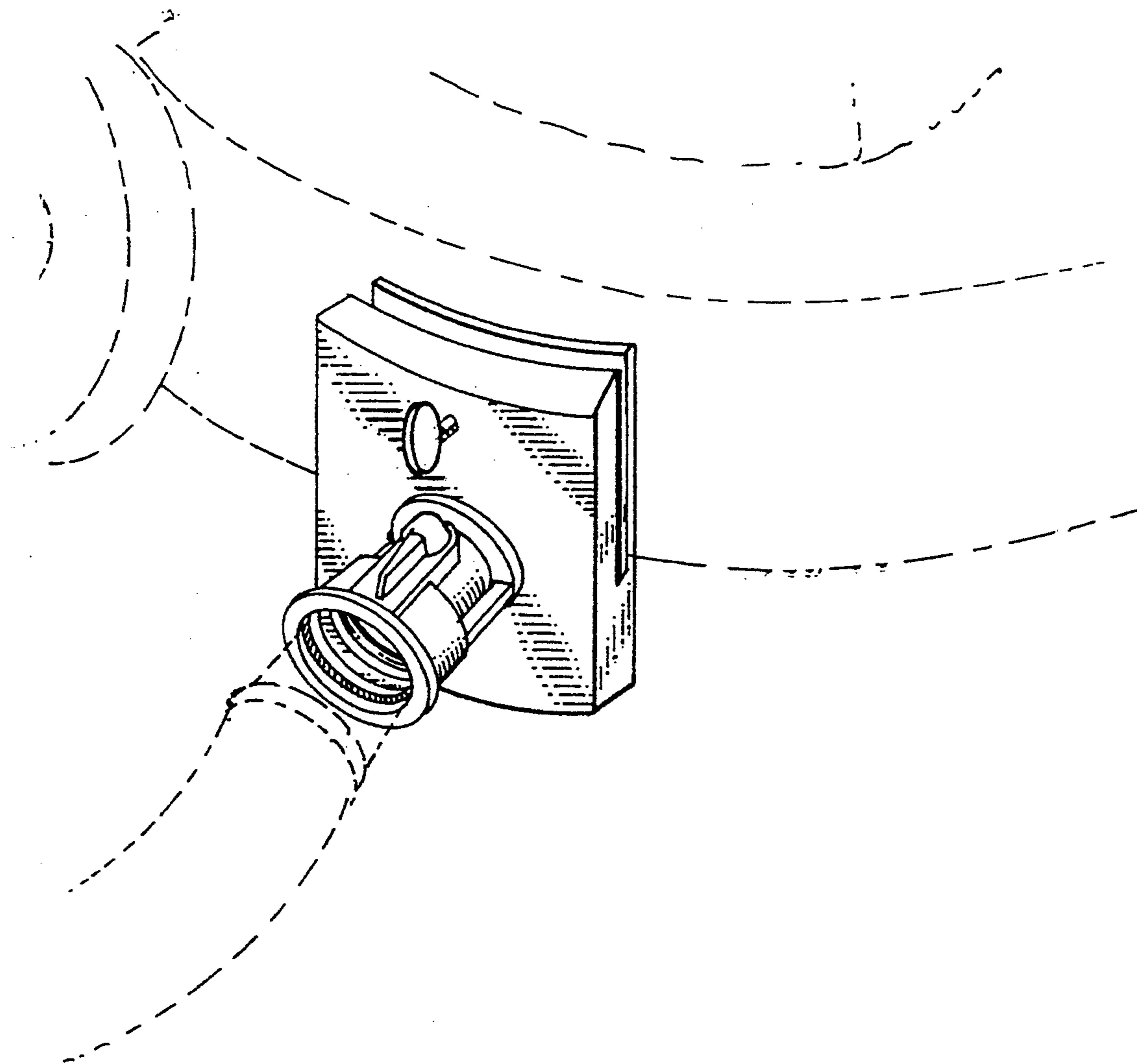
DESCRIPTION

[56] **References Cited**

U.S. PATENT DOCUMENTS

2,939,636	6/1960	Mullin	239/DIG. 6
3,040,990	6/1962	Gotti	239/DIG. 6
3,535,862	10/1970	Wittwer	230/DIG. 6
3,905,181	9/1975	Messner	56/13.4
3,940,827	3/1976	Greco	56/13.4

FIG. 1 is a perspective view of a lawn mower cleaning attachment, showing my new design, the broken line showing of the lawn mower is for illustrative purposes only, and forms no part of the claimed design; FIG. 2 is a front elevational view thereof; FIG. 3 is a side elevational view thereof; FIG. 4 is a top plain view thereof; FIG. 5 is a bottom plain view thereof; and, FIG. 6 is a reduced perspective view as attached to a full lawnmower that is shown in phantom.



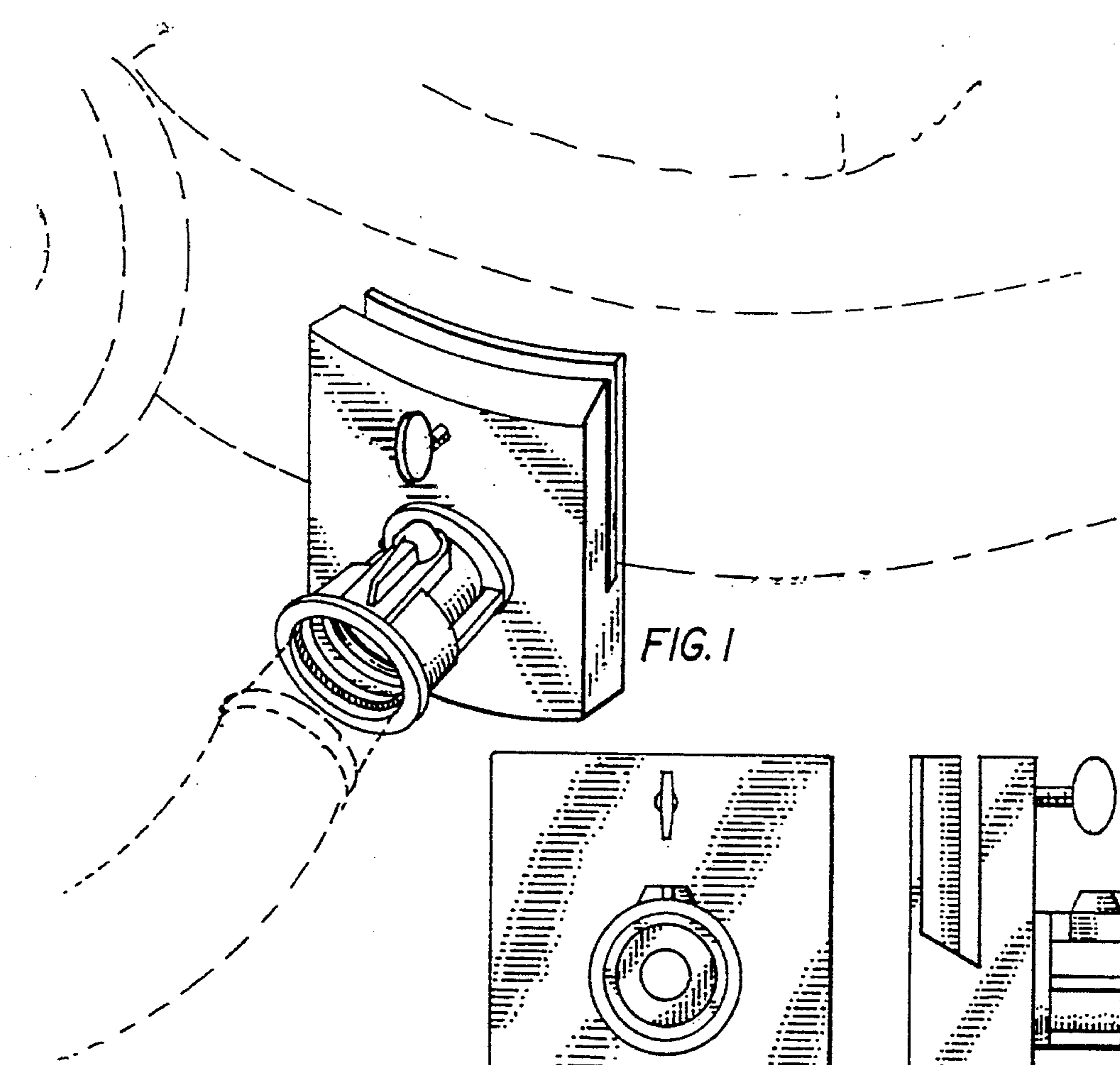


FIG. 1

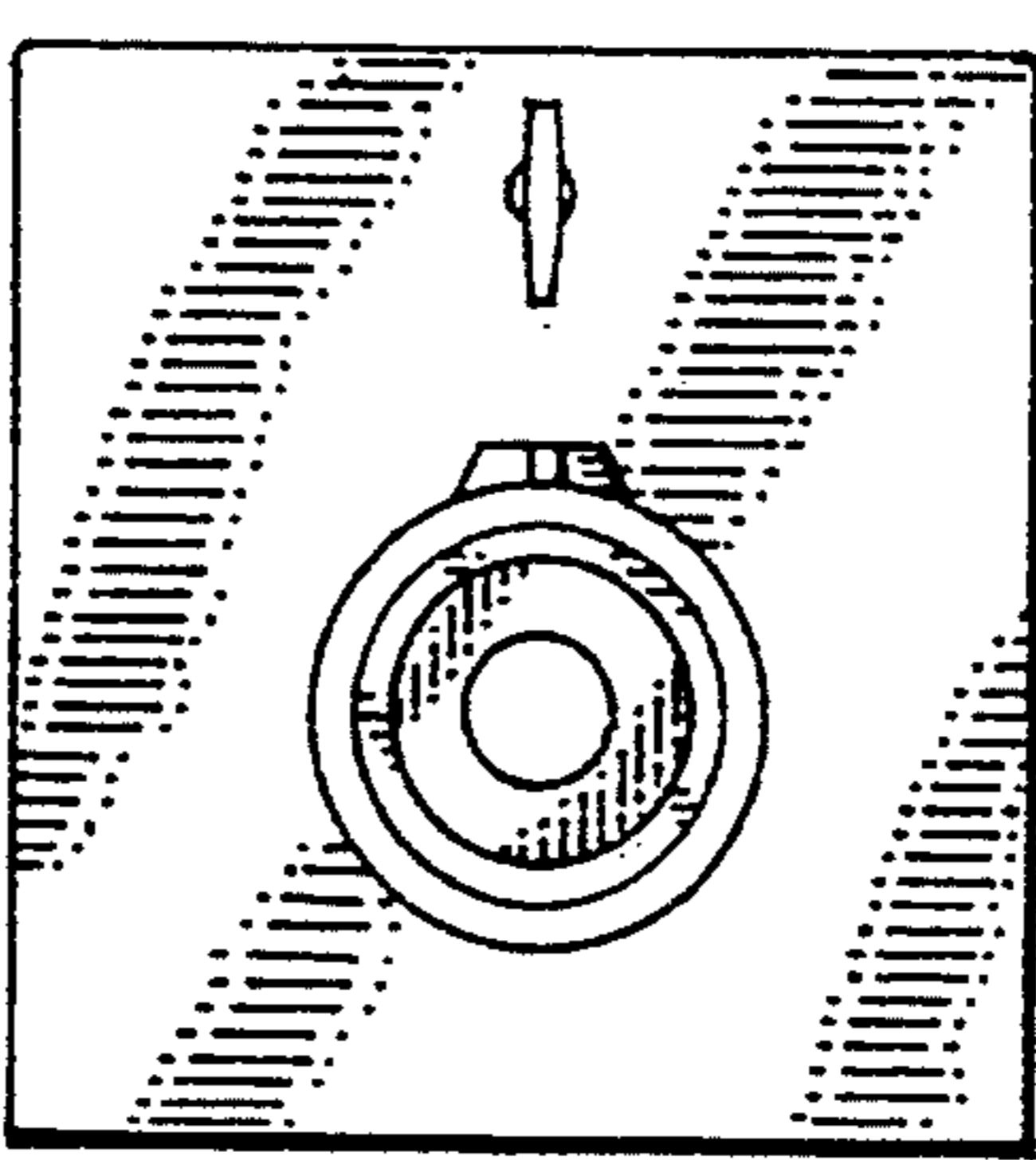


FIG. 2

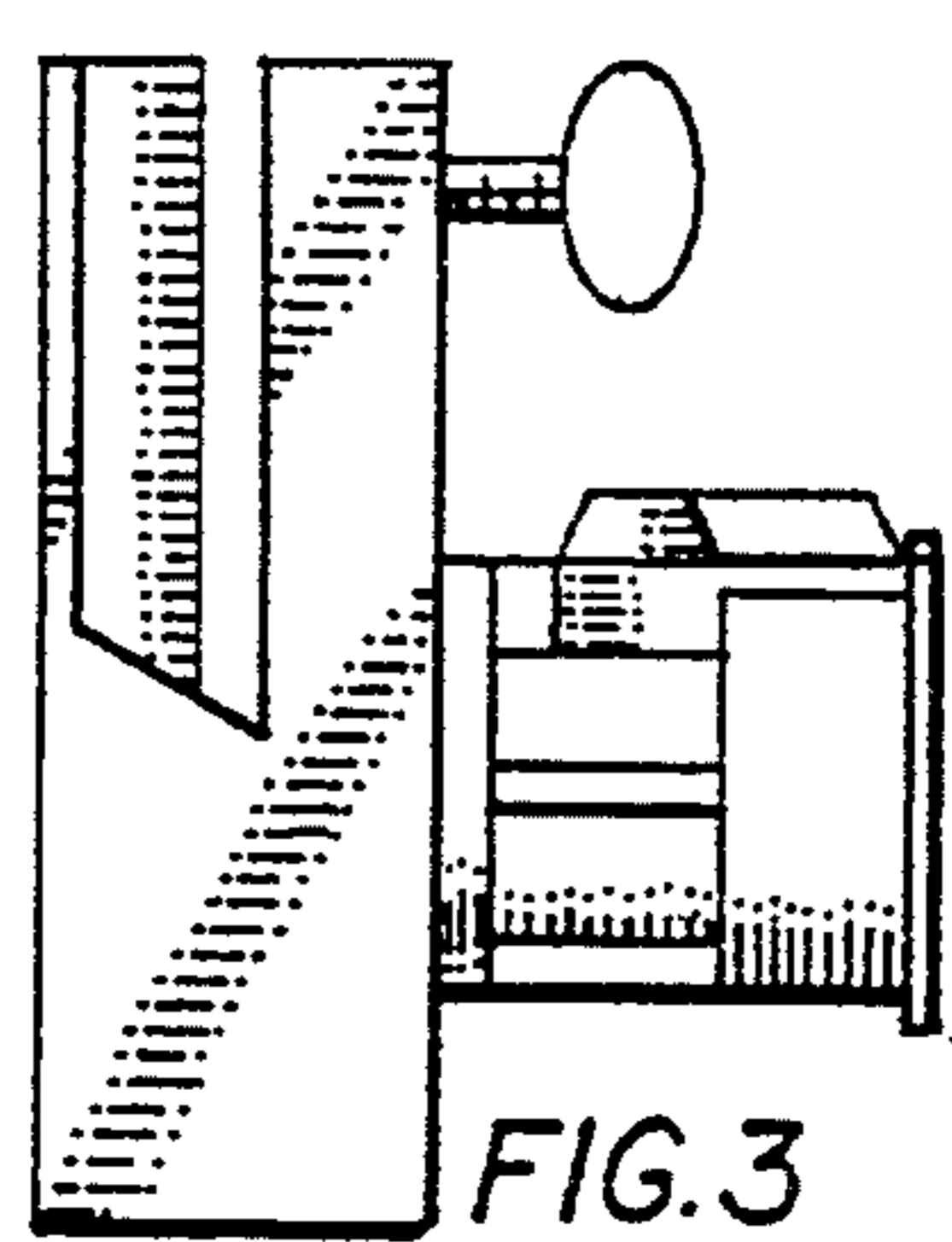


FIG. 3

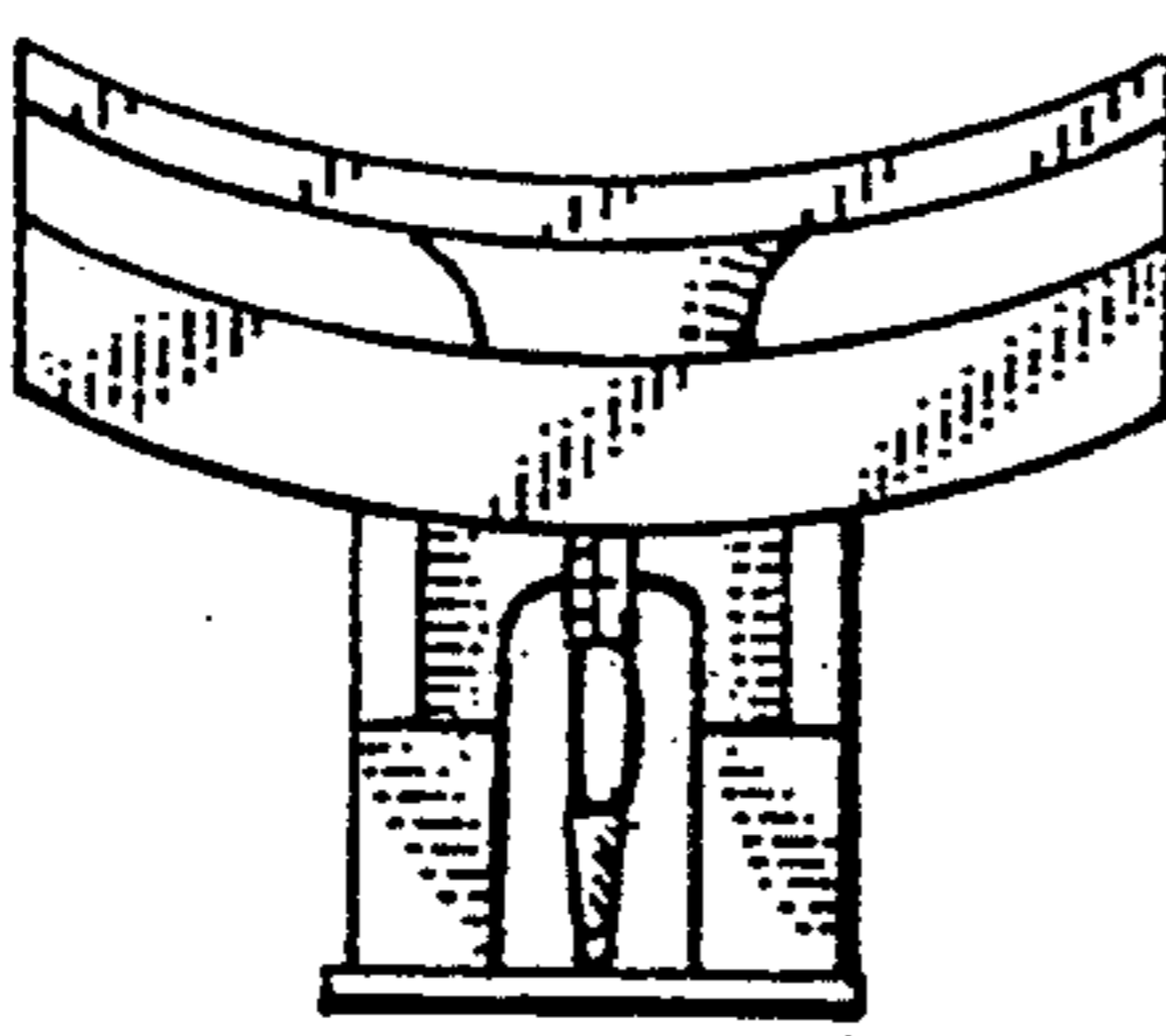


FIG. 4

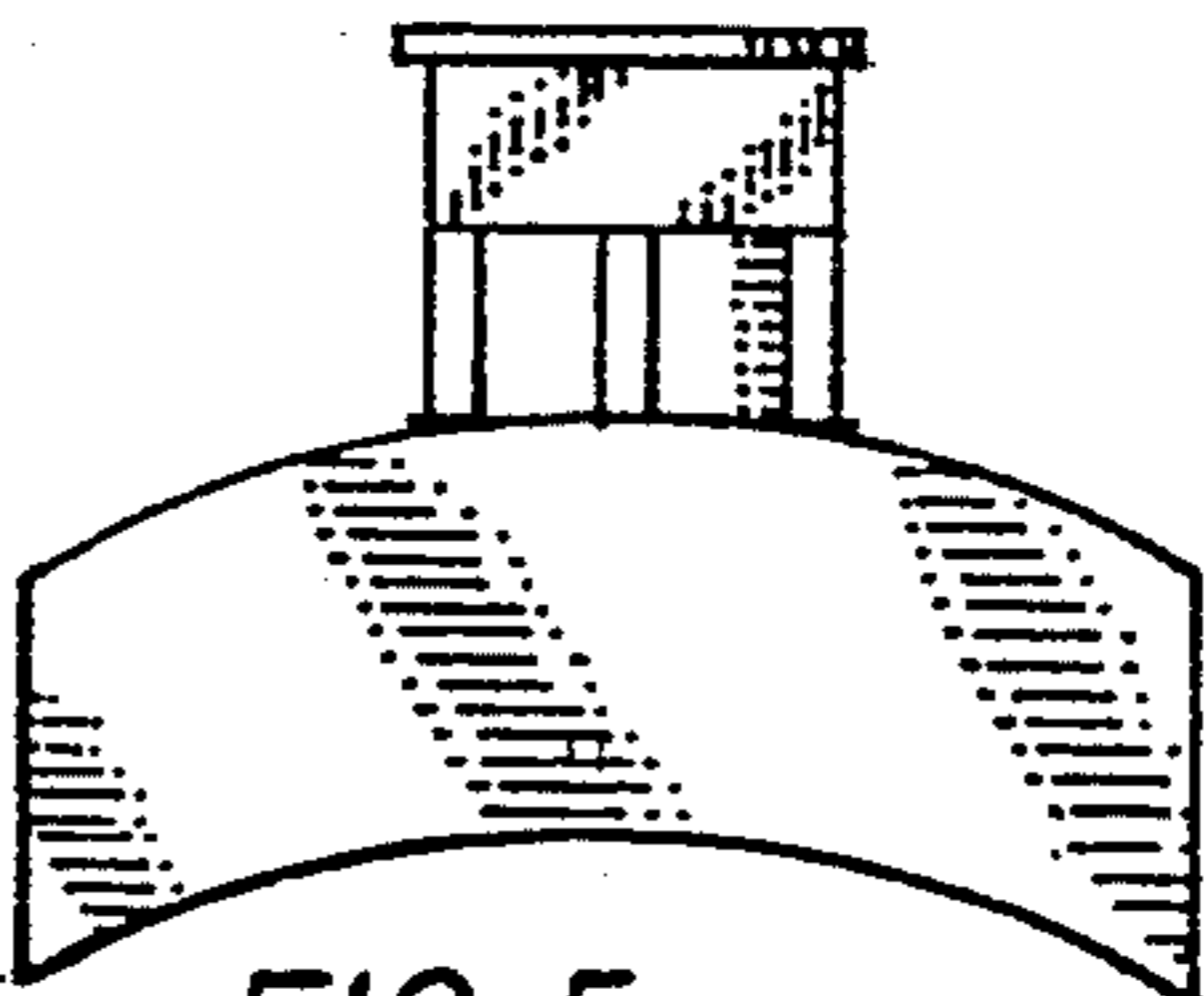


FIG. 5

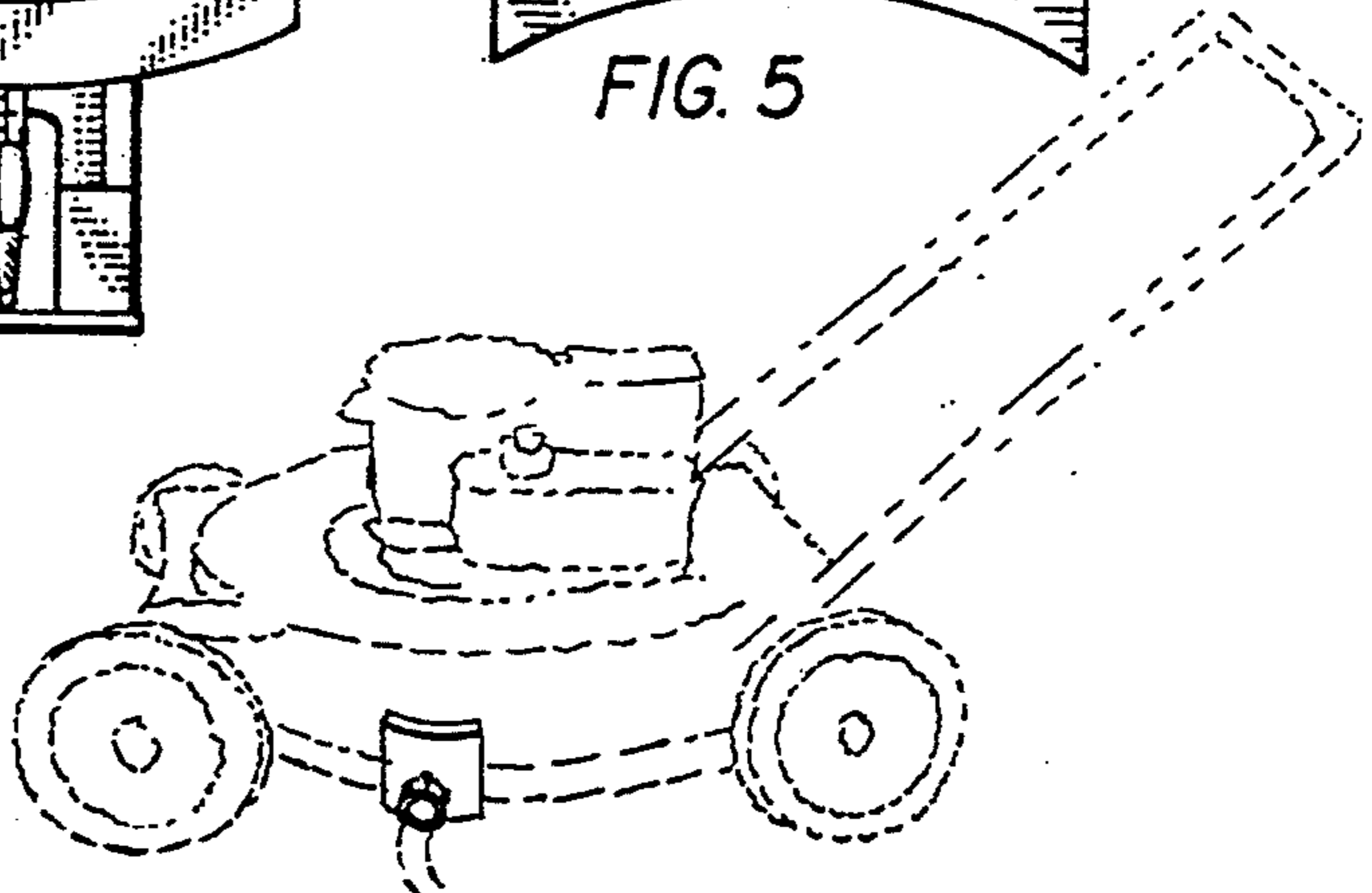


FIG. 6