



US00D350353S

# United States Patent [19]

Schulman

[11] Patent Number: Des. 350,353

[45] Date of Patent: \*\* Sep. 6, 1994

[54] RADIO CARTRIDGE FOR PORTABLE VIDEO GAME MACHINE

[75] Inventor: Don Schulman, Winter Garden, Fla.

[73] Assignee: Beeshu Inc., Winter Garden, Fla.

[\*\*] Term: 14 Years

[21] Appl. No.: 8,612

[22] Filed: May 20, 1993

[52] U.S. Cl. .... D14/188; D14/114; D14/121

[58] Field of Search ..... 455/89, 344, 170.1; 369/11; 334/24; D14/120-133, 114, 188, 160-161, 299

[56] **References Cited**

**U.S. PATENT DOCUMENTS**

- D. 211,252 6/1968 Hasegawa ..... D14/188
- D. 214,291 5/1969 Krechman ..... D14/198
- D. 214,760 7/1969 Golden et al. .... D14/198

- D. 280,322 8/1985 Velinsky ..... D14/114
- D. 290,119 6/1987 Trezise et al. .... D14/114 X

*Primary Examiner*—Theodore M. Shooman  
*Attorney, Agent, or Firm*—Koda and Androlia

[57] **CLAIM**

The ornamental design for a radio cartridge for portable video game machine, as shown and described.

**DESCRIPTION**

FIG. 1 is perspective view taken from the top, front and left side of the radio cartridge for portable video game machine, showing my new design;

FIG. 2 is perspective view taken from the top, rear and right side thereof;

FIG. 3 is a front elevational view thereof;

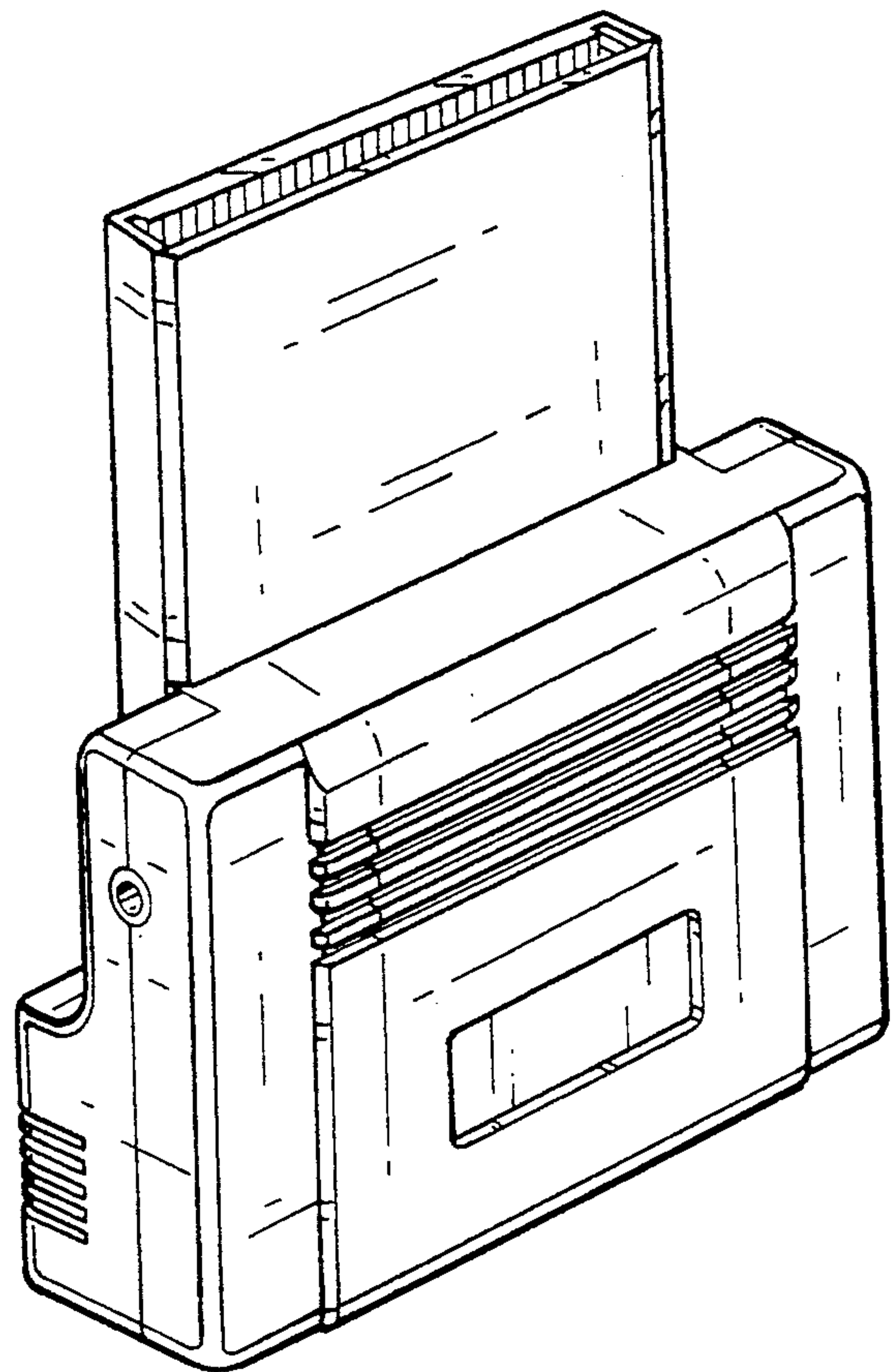
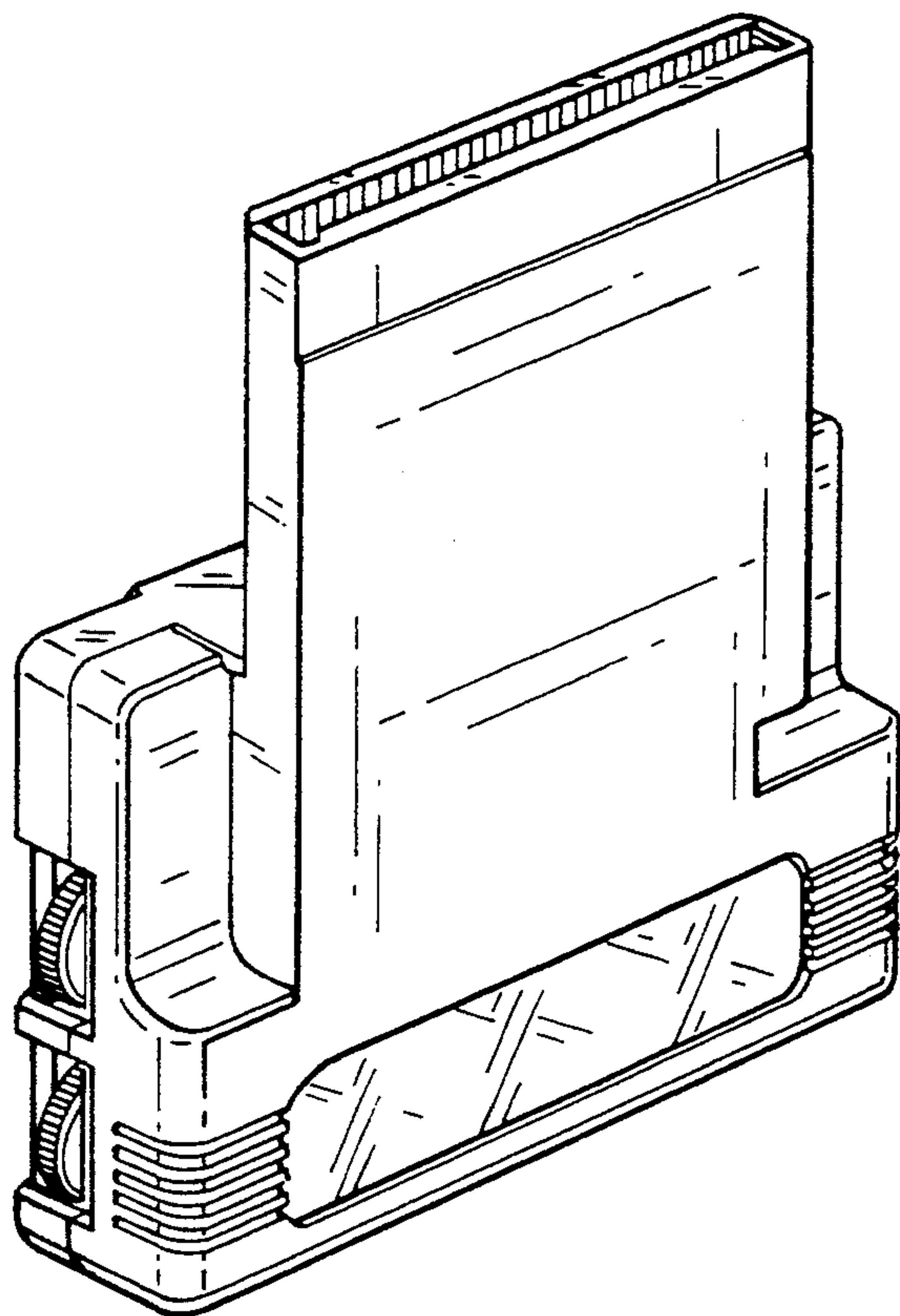
FIG. 4 is a rear elevational view thereof;

FIG. 5 is a right side elevational view thereof;

FIG. 6 is a left side elevational view thereof;

FIG. 7 is a top plan view thereof; and

FIG. 8 is a bottom plan view thereof.



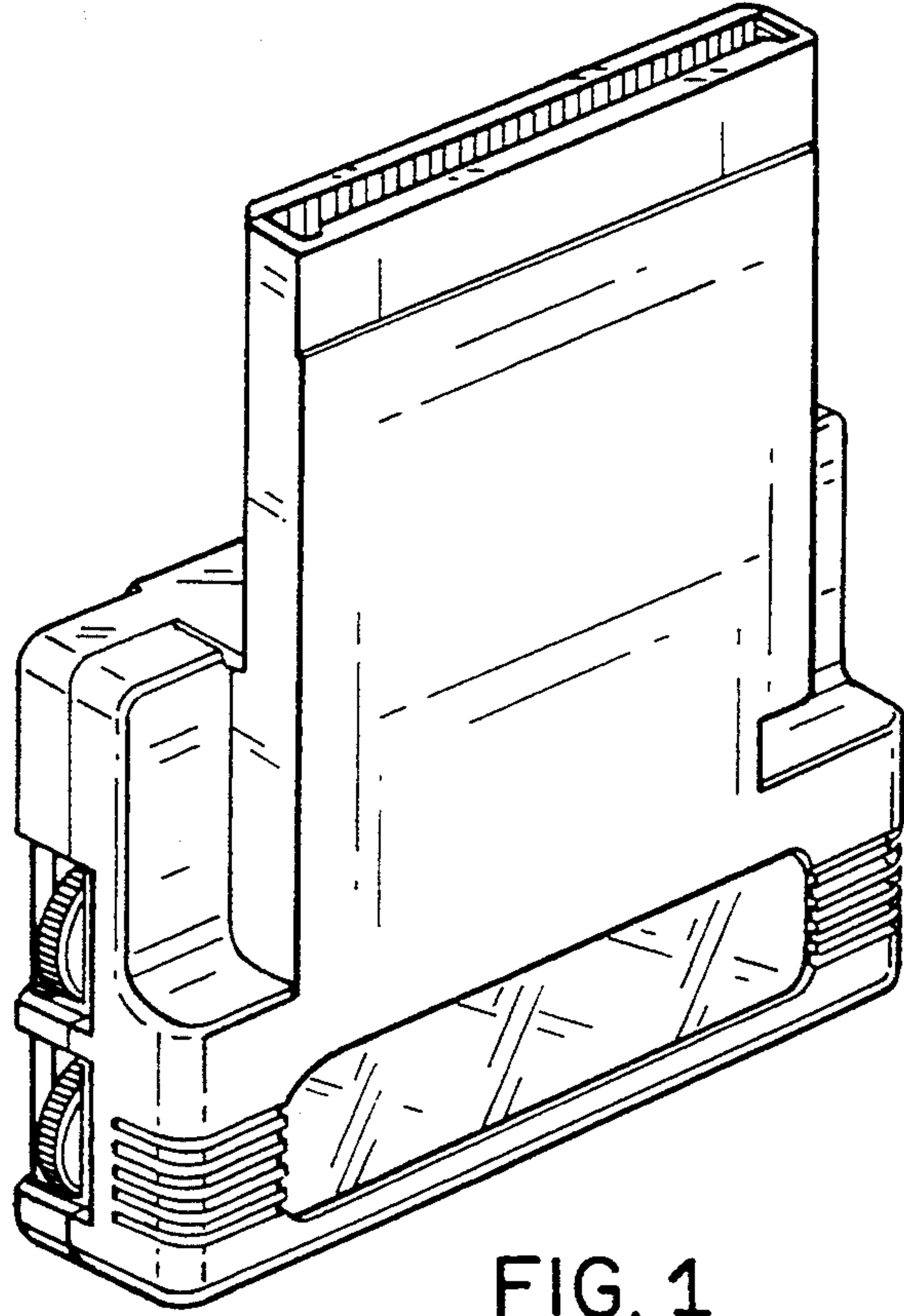


FIG. 1

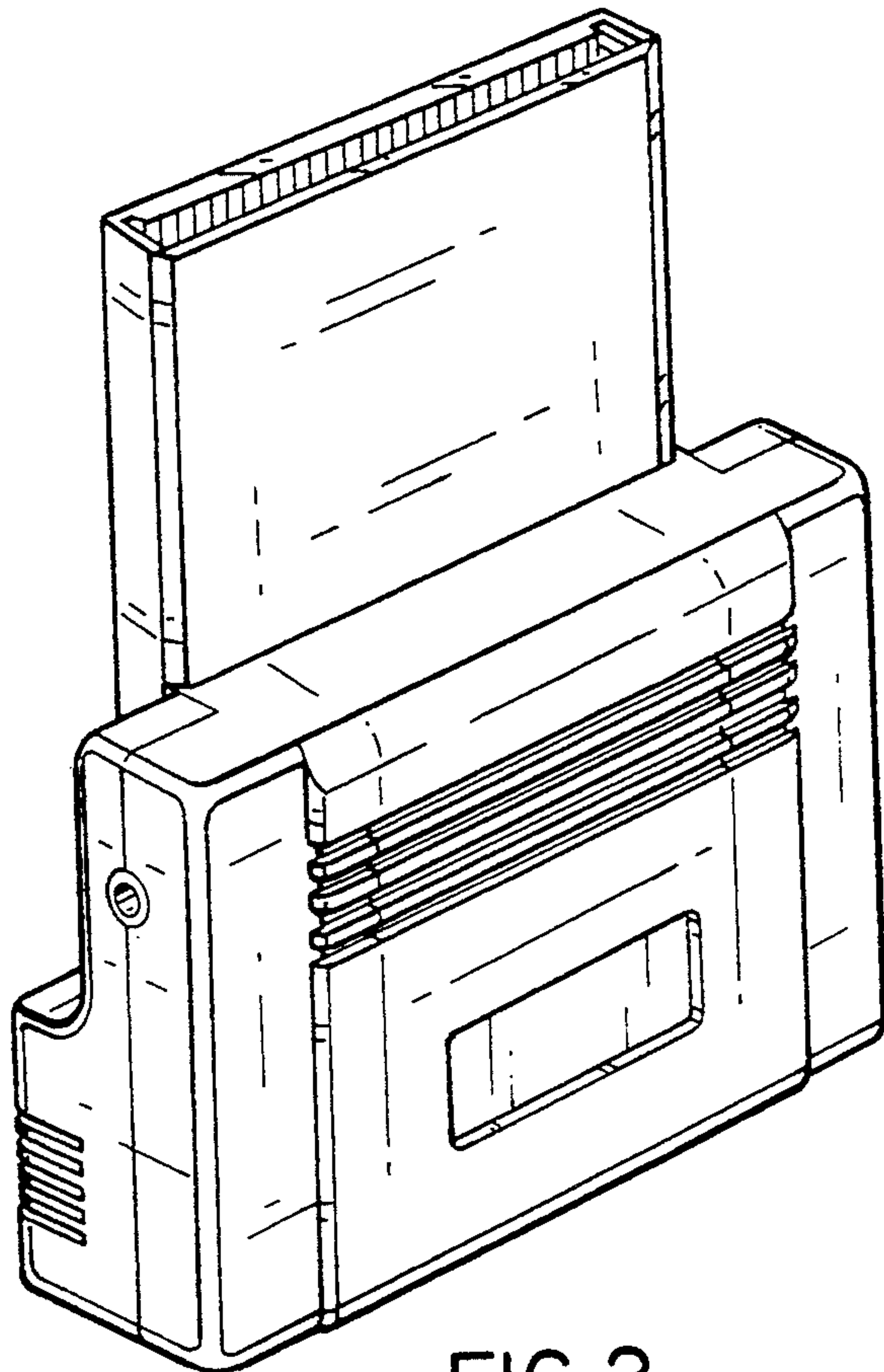


FIG. 2

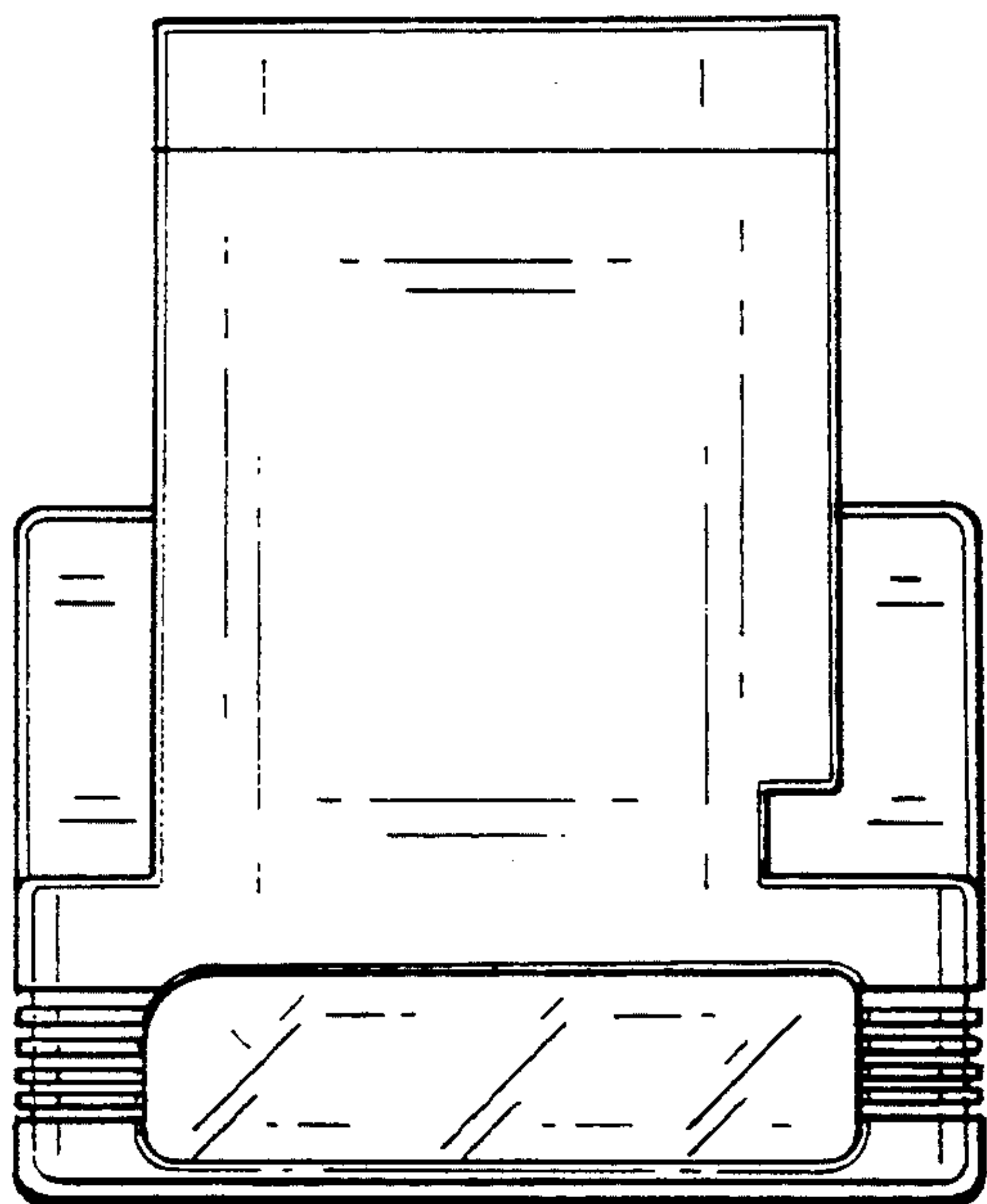


FIG. 3

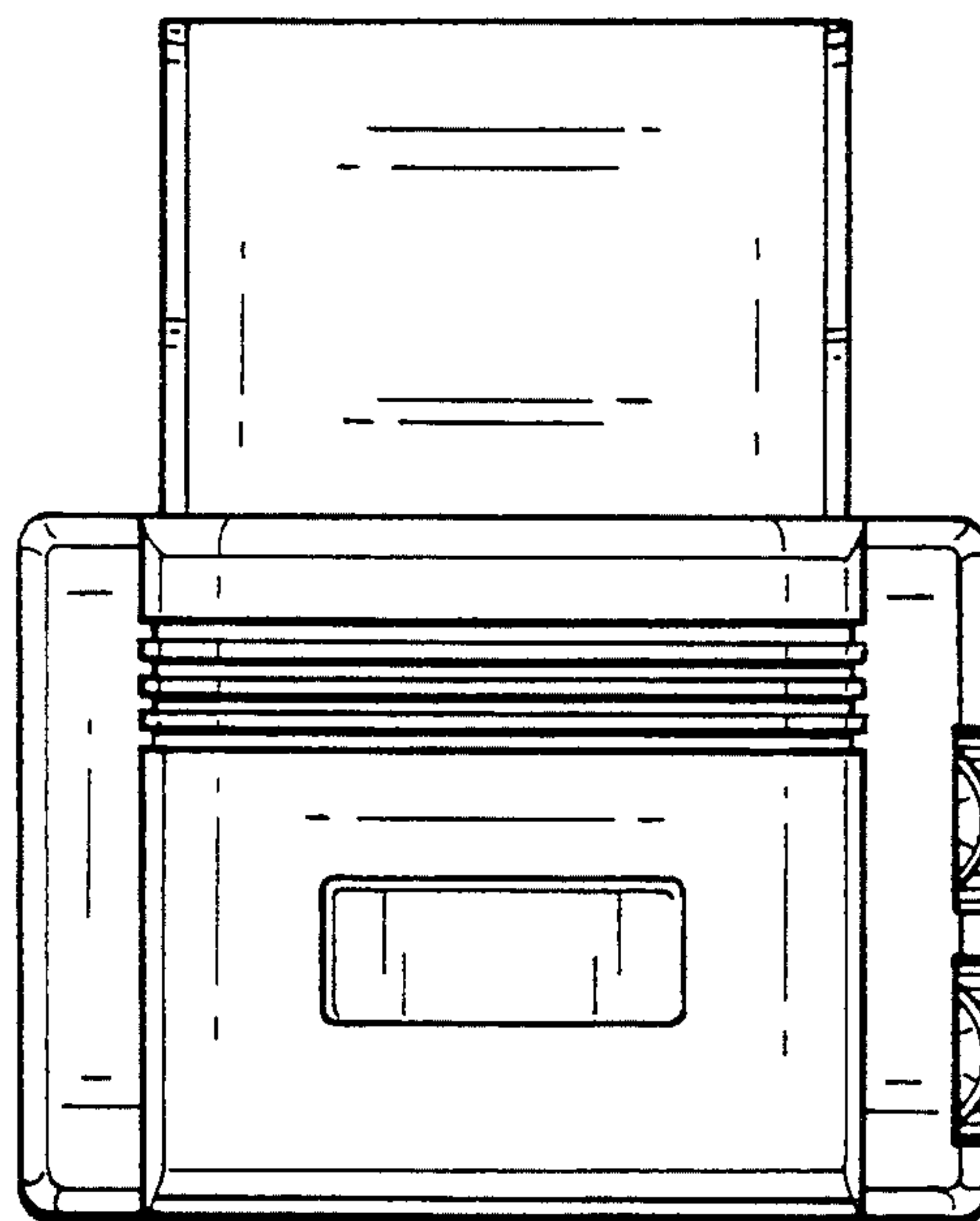


FIG. 4

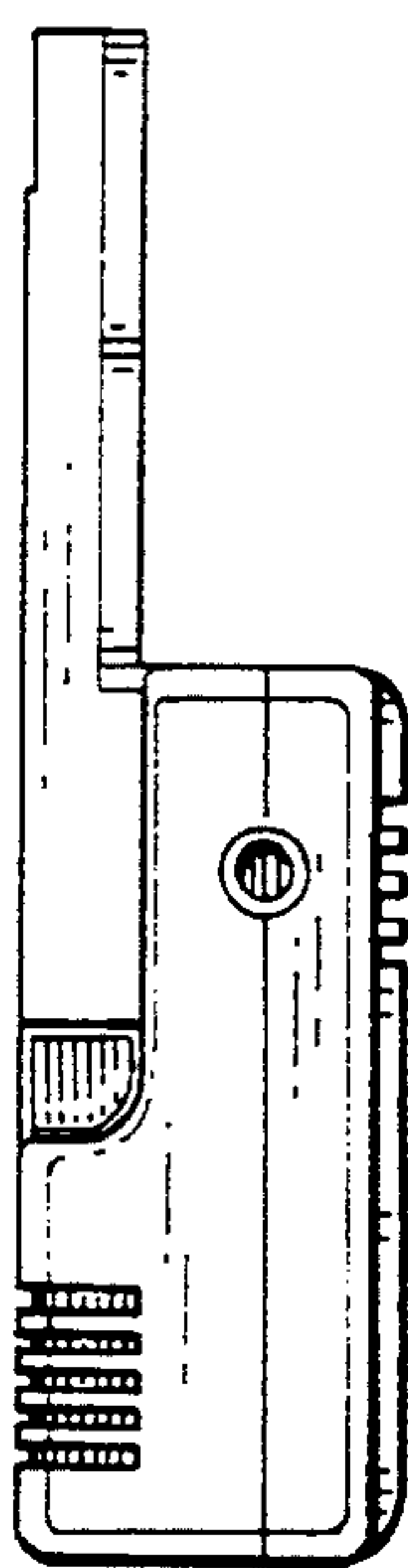


FIG. 5

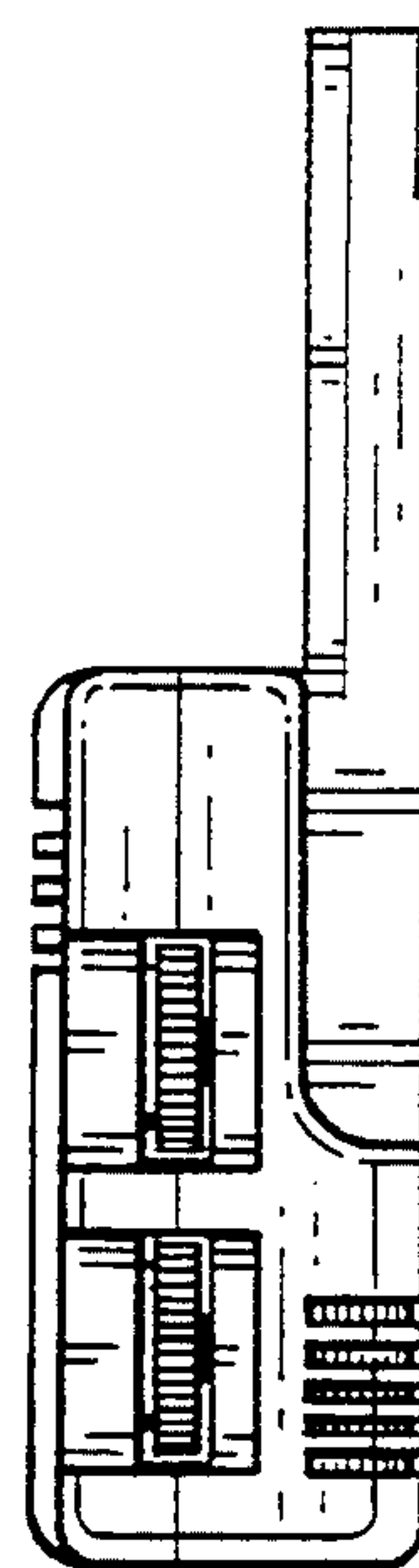


FIG. 6

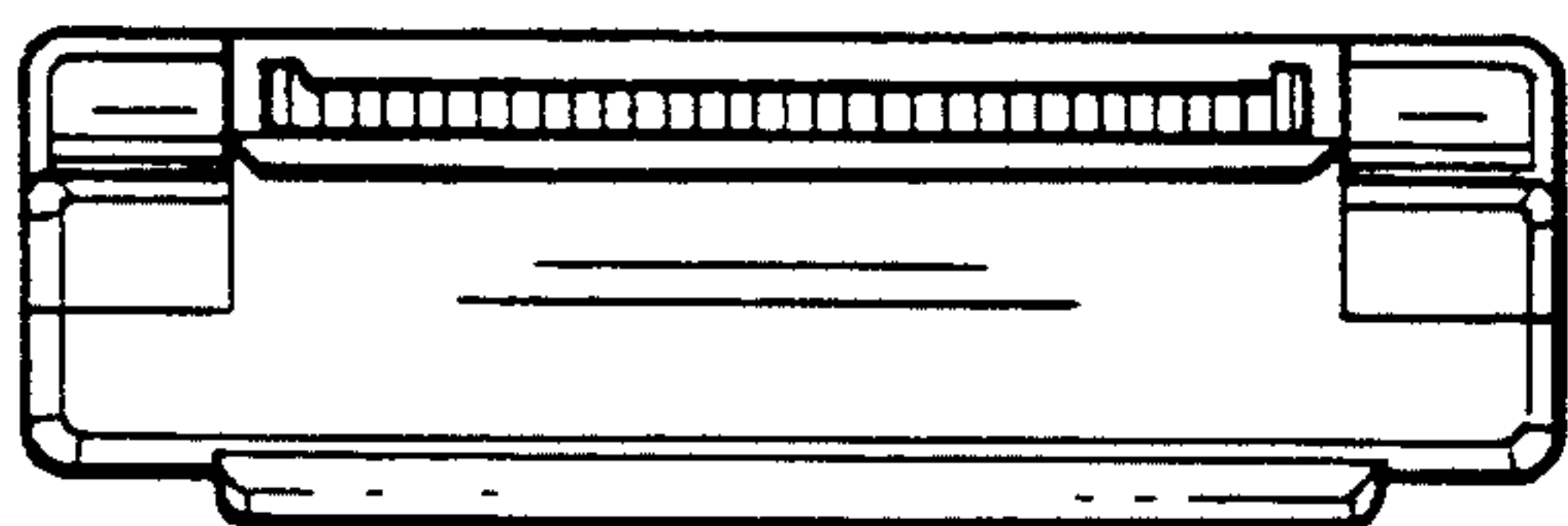


FIG. 7

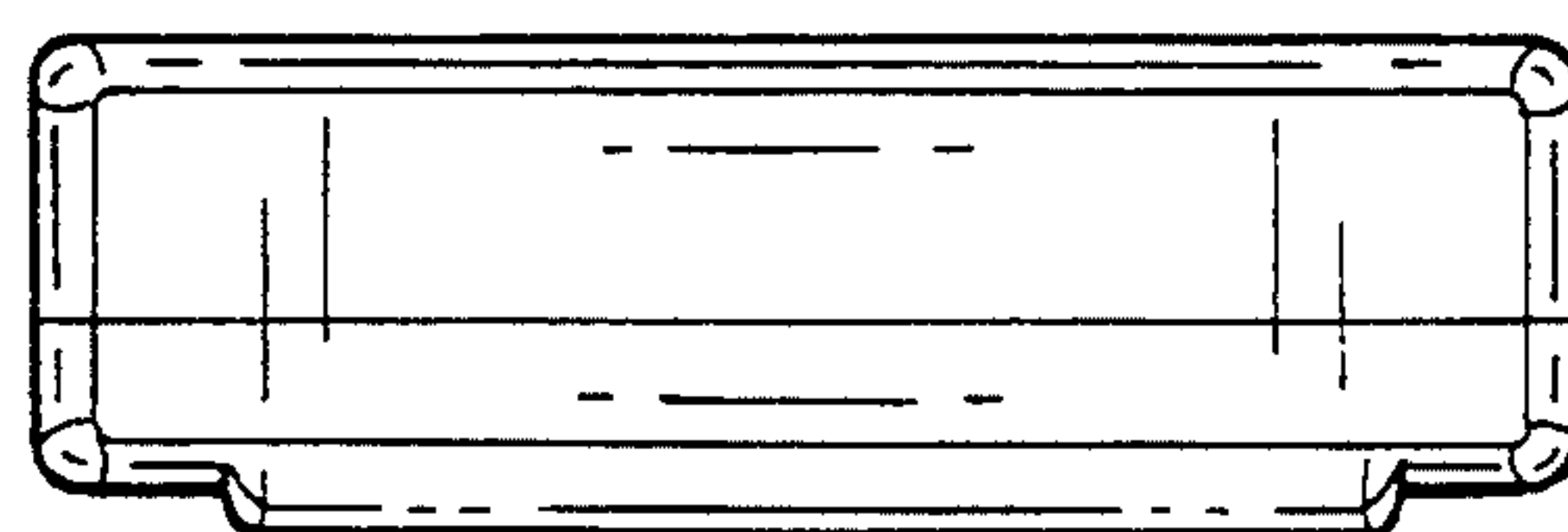


FIG. 8