



US00D350351S

# United States Patent [19]

[11] Patent Number: **Des. 350,351**

**Nakamura**

[45] Date of Patent: **\*\* Sep. 6, 1994**

[54] **MINI-DISK PLAYER**

[75] Inventor: **Koji Nakamura, Narashino, Japan**

[73] Assignee: **Aiwa Co., Ltd., Tokyo, Japan**

[\*\*] Term: **14 Years**

[21] Appl. No.: **472**

[22] Filed: **Oct. 15, 1992**

[30] **Foreign Application Priority Data**

May 25, 1992 [JP] Japan ..... 4-15154

[52] U.S. Cl. .... **D14/156**

[58] Field of Search ..... 369/75.1, 77.1, 772;  
D14/136, 137, 156, 160-169, 173, 257, 258

[56] **References Cited**

**U.S. PATENT DOCUMENTS**

- D. 320,789 10/1991 Sogable ..... D14/156
- D. 342,733 12/1993 Kanno ..... D14/156
- 4,419,770 12/1983 Yagi et al. .... 455/344
- 4,884,252 11/1989 Teodoridis et al. .... 455/344
- 5,007,105 4/1991 Kudoh et al. .... 455/344

**FOREIGN PATENT DOCUMENTS**

0046325 2/1989 Japan ..... 455/344

**OTHER PUBLICATIONS**

"Axis", Autumn 1991 issue.

*Primary Examiner*—Bernard Ansher

*Assistant Examiner*—Richelle Shelton

*Attorney, Agent, or Firm*—Cushman, Darby & Cushman

[57] **CLAIM**

The ornamental design for a mini-disk player, as shown.

**DESCRIPTION**

FIG. 1 is a top, front and left side perspective view of a mini-disk player showing my new design. The interior portion of the curved wristband not shown being the same as that illustrated;

FIG. 2 is a front elevational view thereof;

FIG. 3 is a rear elevational view thereof;

FIG. 4 is a right side elevational view thereof;

FIG. 5 is a left side elevational view thereof;

FIG. 6 is a top plan view thereof; and

FIG. 7 is a bottom plan view thereof.

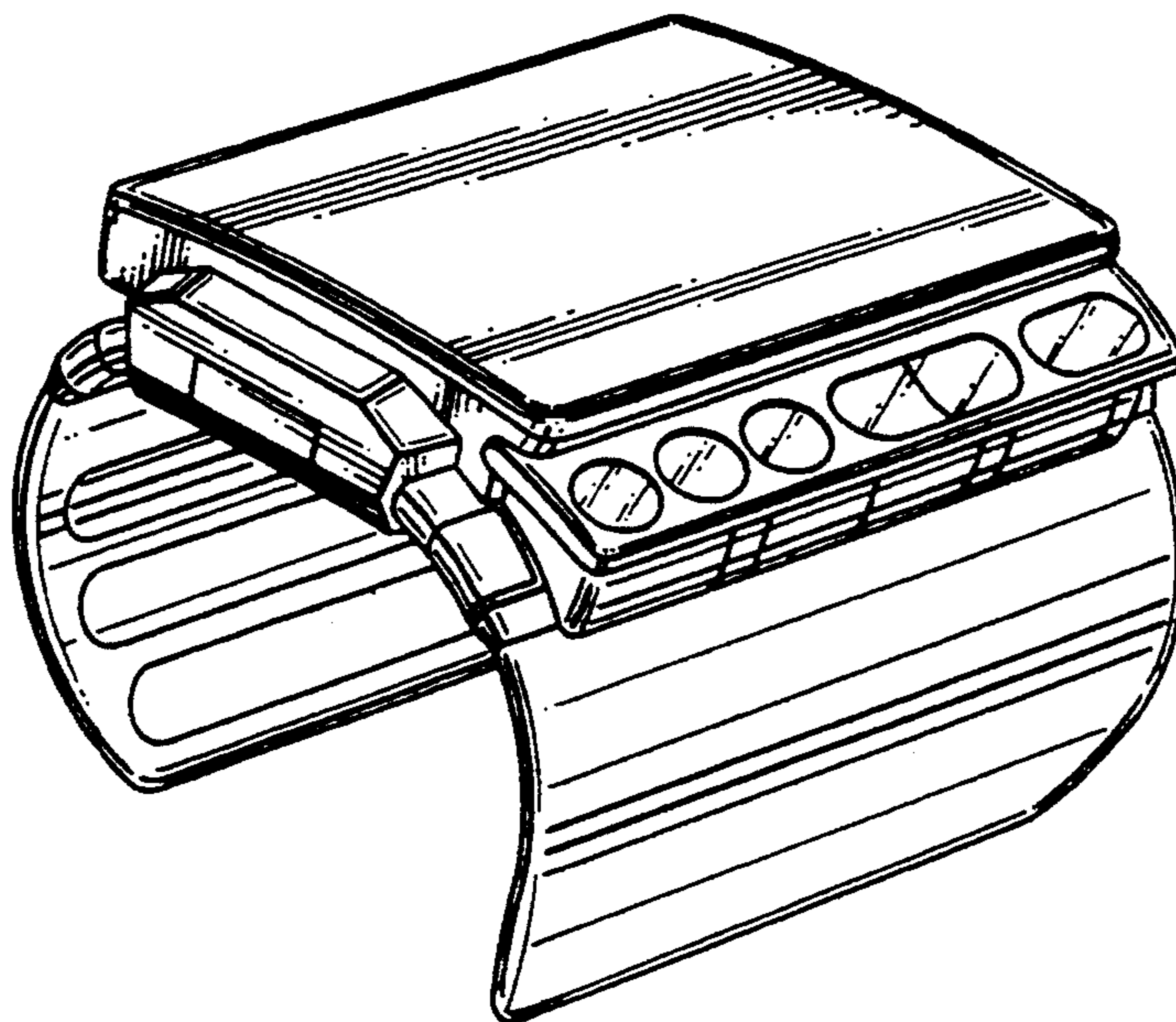


FIG. 1

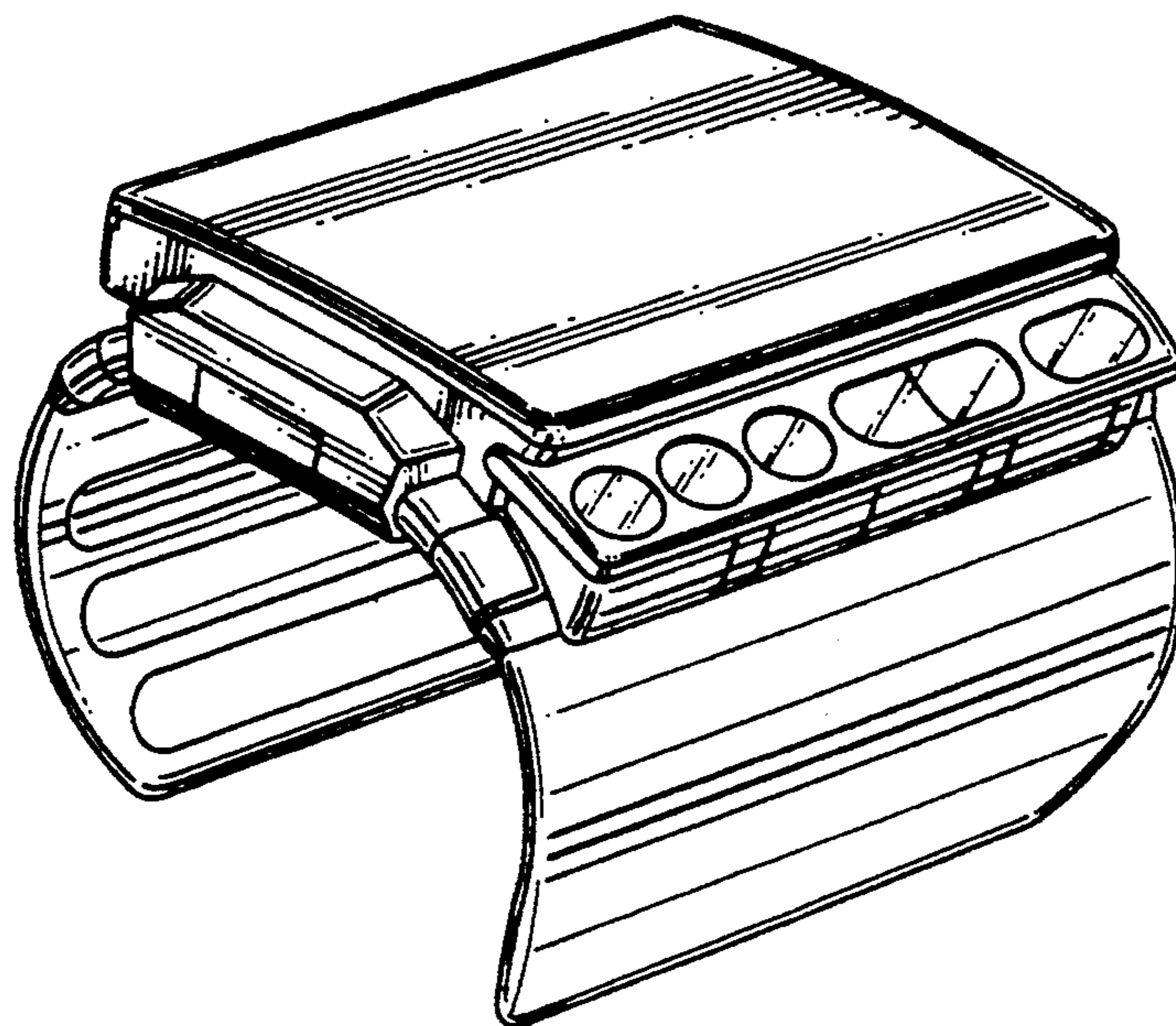


FIG. 2

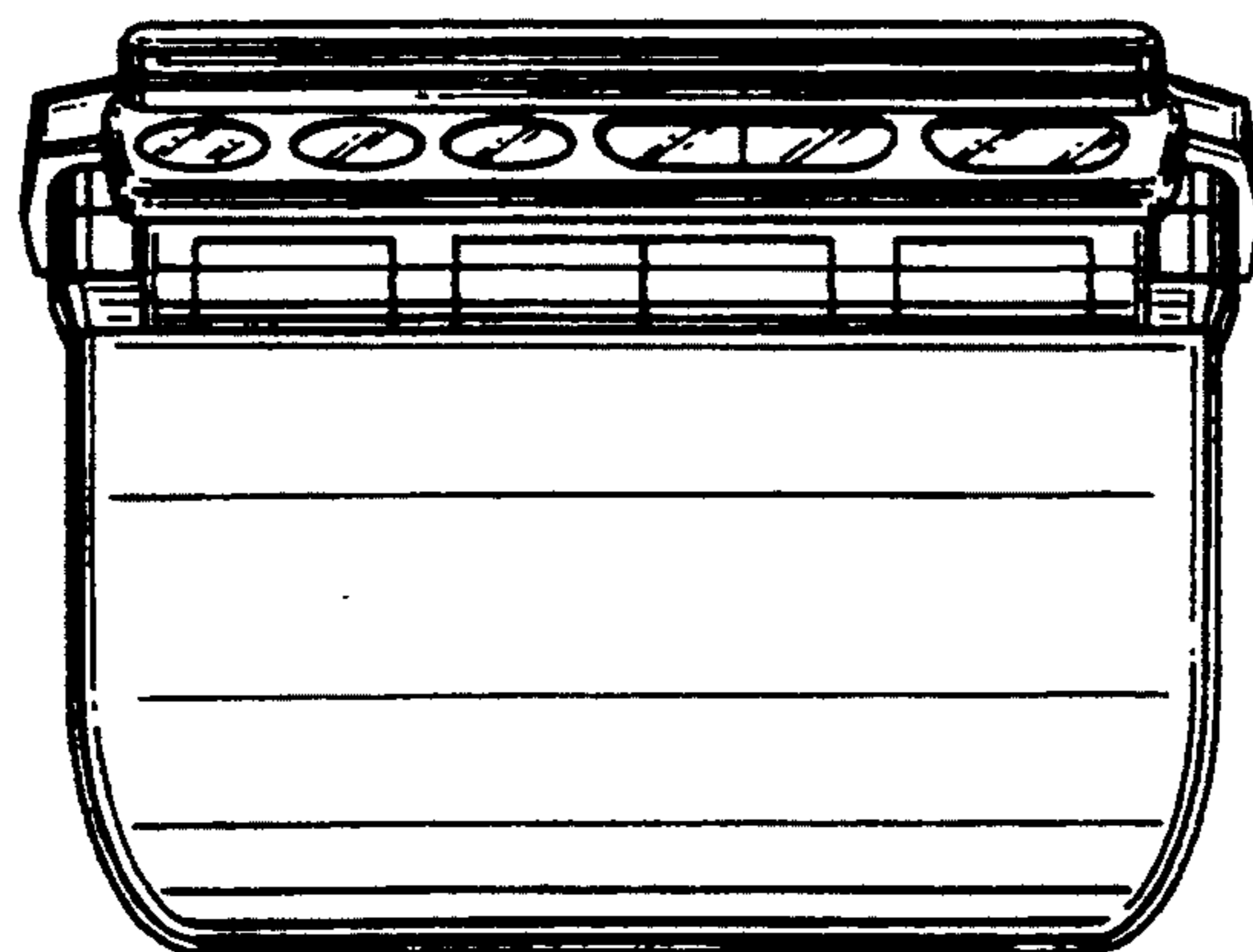


FIG.3

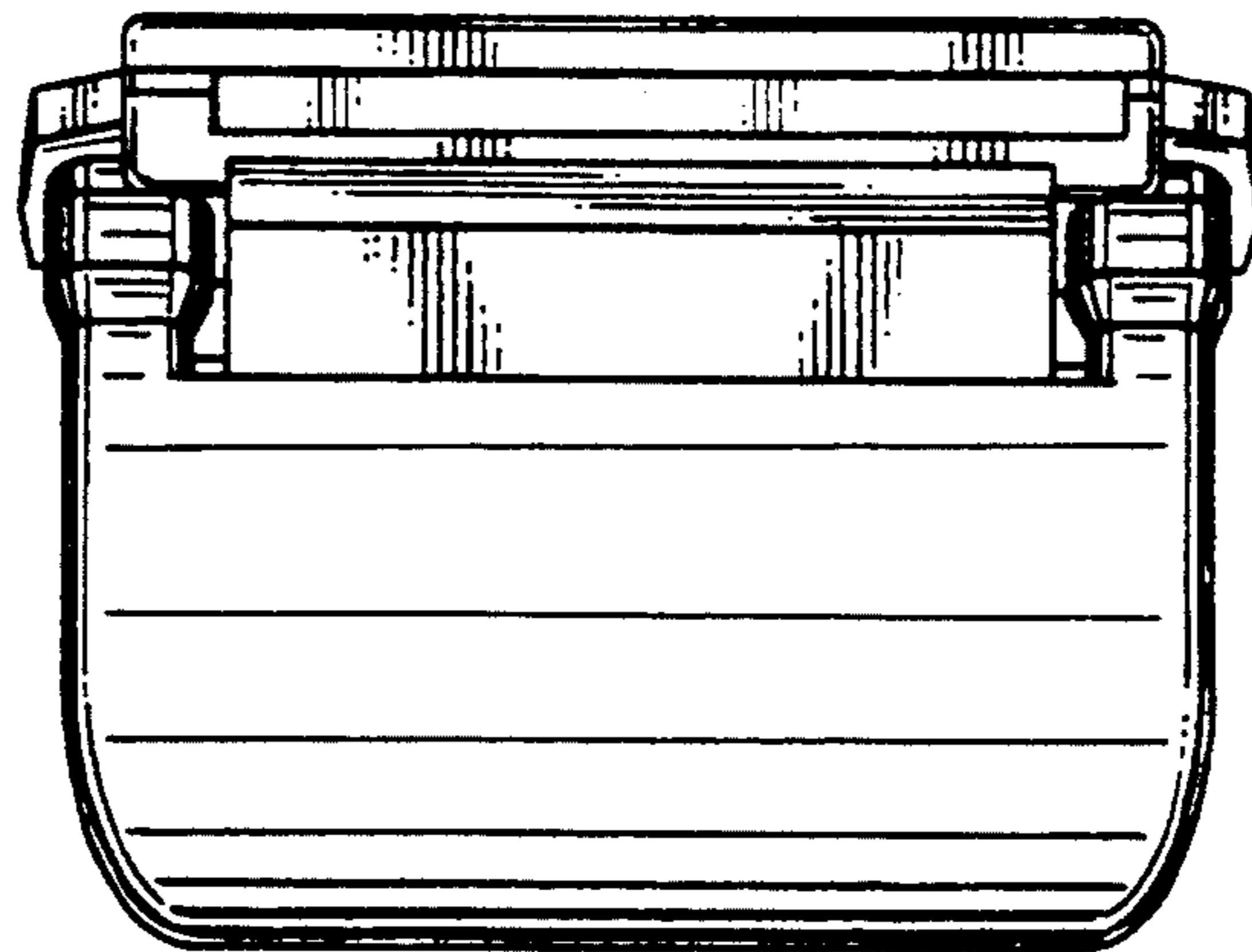


FIG.4

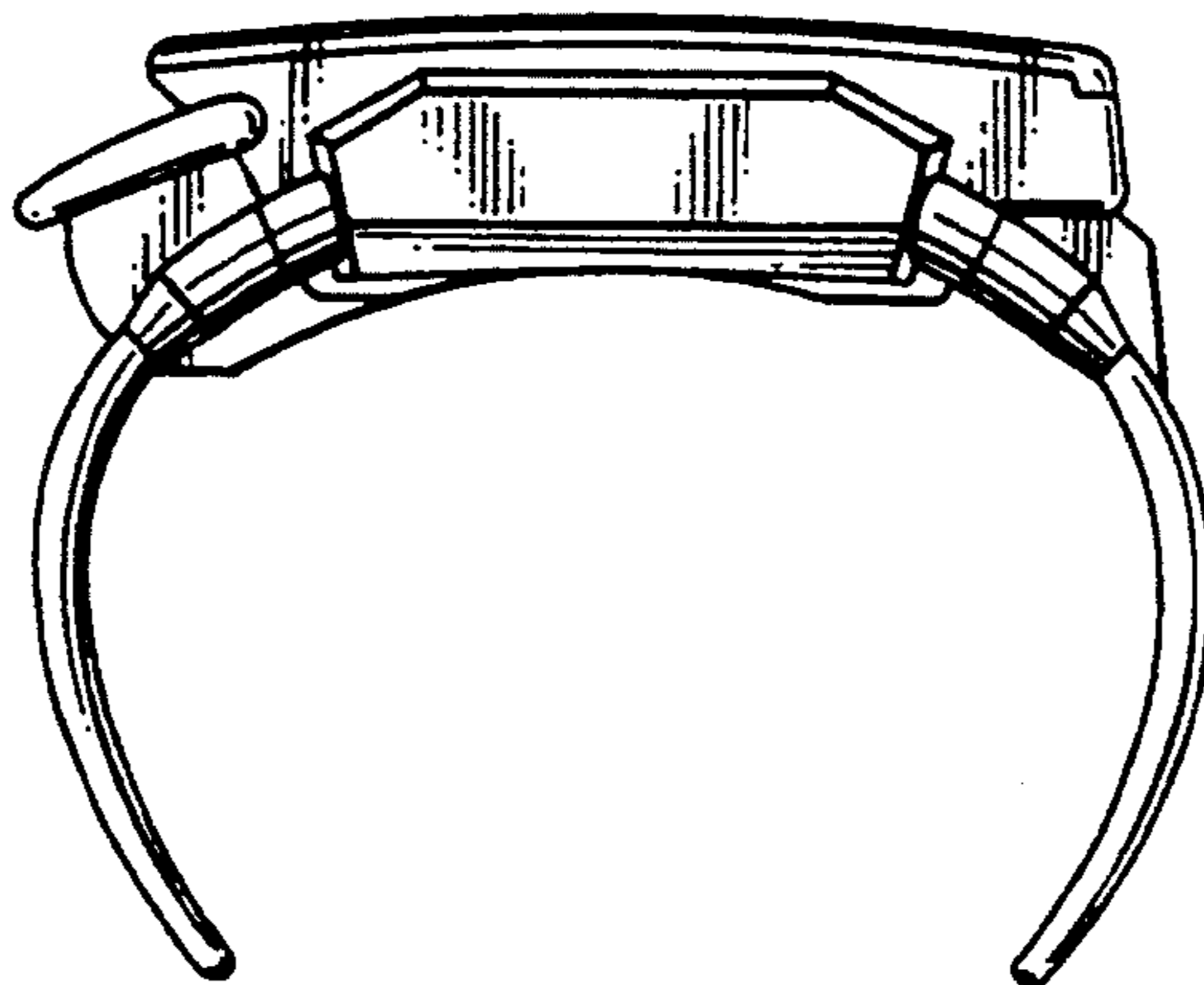


FIG.5

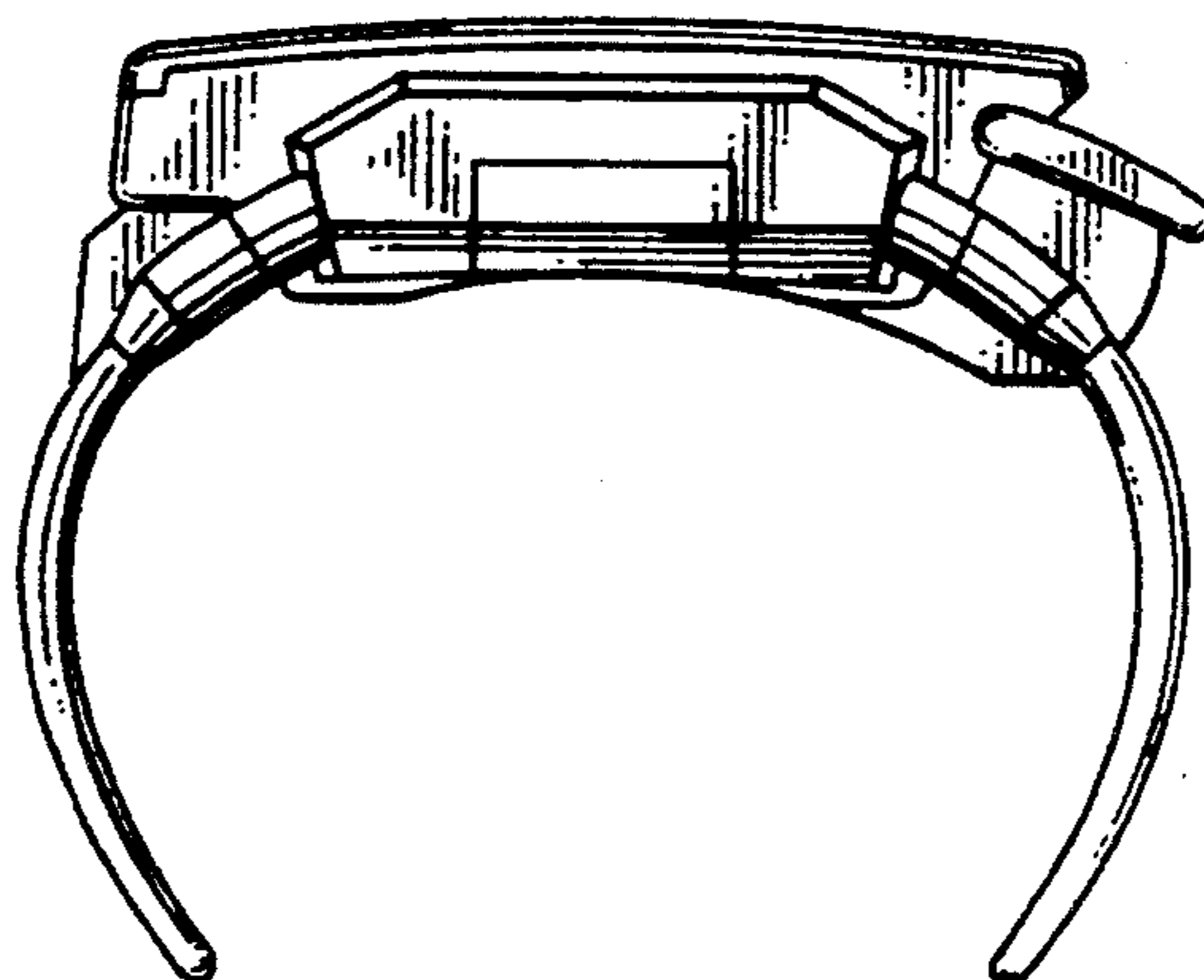


FIG.6

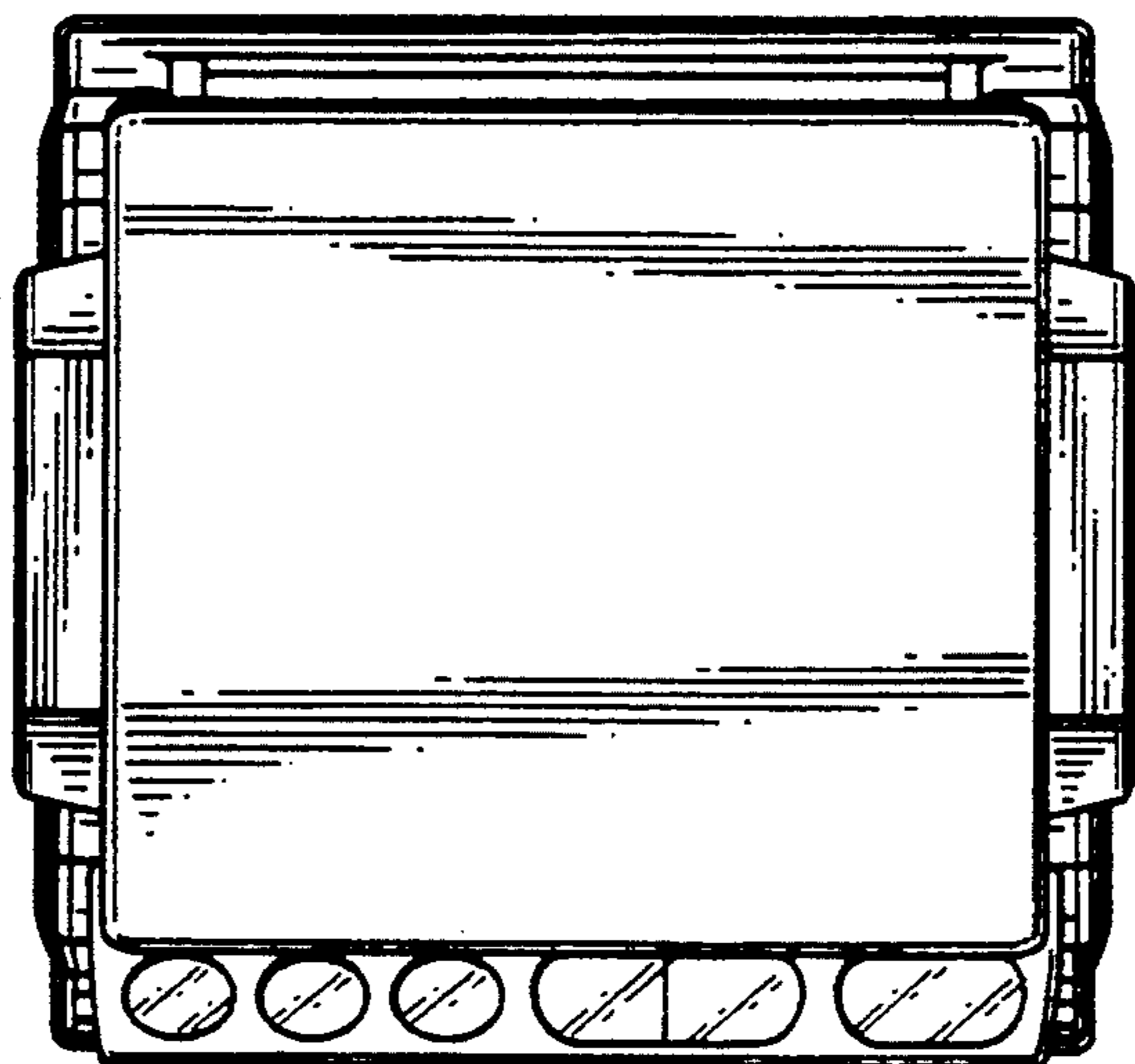


FIG.7

