



US00D350346S

# United States Patent [19]

[11] Patent Number: **Des. 350,346**

Takemasa et al.

[45] Date of Patent: **\*\* Sep. 6, 1994**

[54] TELEVISION RECEIVER

[56] References Cited

[75] Inventors: **Hirofumi Takemasa**, Osaka; **Eiichiro Naito**, Hyogo; **Hiroyuki Maeno**, Osaka; **Tadakazu Narikawa**, Kanagawa; **Junichi Yamada**, Saitama, all of Japan

### U.S. PATENT DOCUMENTS

- D. 291,441 8/1987 Nishiyori et al. .... D14/126
- D. 308,969 7/1990 Kitagawa et al. .... D14/126
- D. 323,825 2/1992 Yasuno et al. .... D14/126
- D. 342,511 12/1993 Tsubaki et al. .... D14/129
- D. 342,513 12/1993 Tsubaki et al. .... D14/129

[73] Assignee: **Matsushita Electric Industrial Co., Ltd.**, Osaka, Japan

*Primary Examiner*—Theodore M. Shooman  
*Attorney, Agent, or Firm*—Sughrue, Mion, Zinn, Macpeak & Seas

[\*\*] Term: **14 Years**

### [57] CLAIM

The ornamental design for a television receiver, as shown.

[21] Appl. No.: **15,313**

### DESCRIPTION

[22] Filed: **Nov. 15, 1993**

FIG. 1 is a front, top and right side perspective view of a television receiver showing our new design; FIG. 2 is a front elevational view thereof; FIG. 3 is a top plan view thereof; FIG. 4 is a left side elevational view thereof; FIG. 5 is a right side elevational view thereof; FIG. 6 is a rear elevational view thereof; and, FIG. 7 is a bottom plan view thereof.

### [30] Foreign Application Priority Data

- May 17, 1993 [JP] Japan ..... 5-14321
- [52] U.S. Cl. .... **D14/126**
- [58] Field of Search ..... 348/825, 838; 312/7.2; D14/125-134

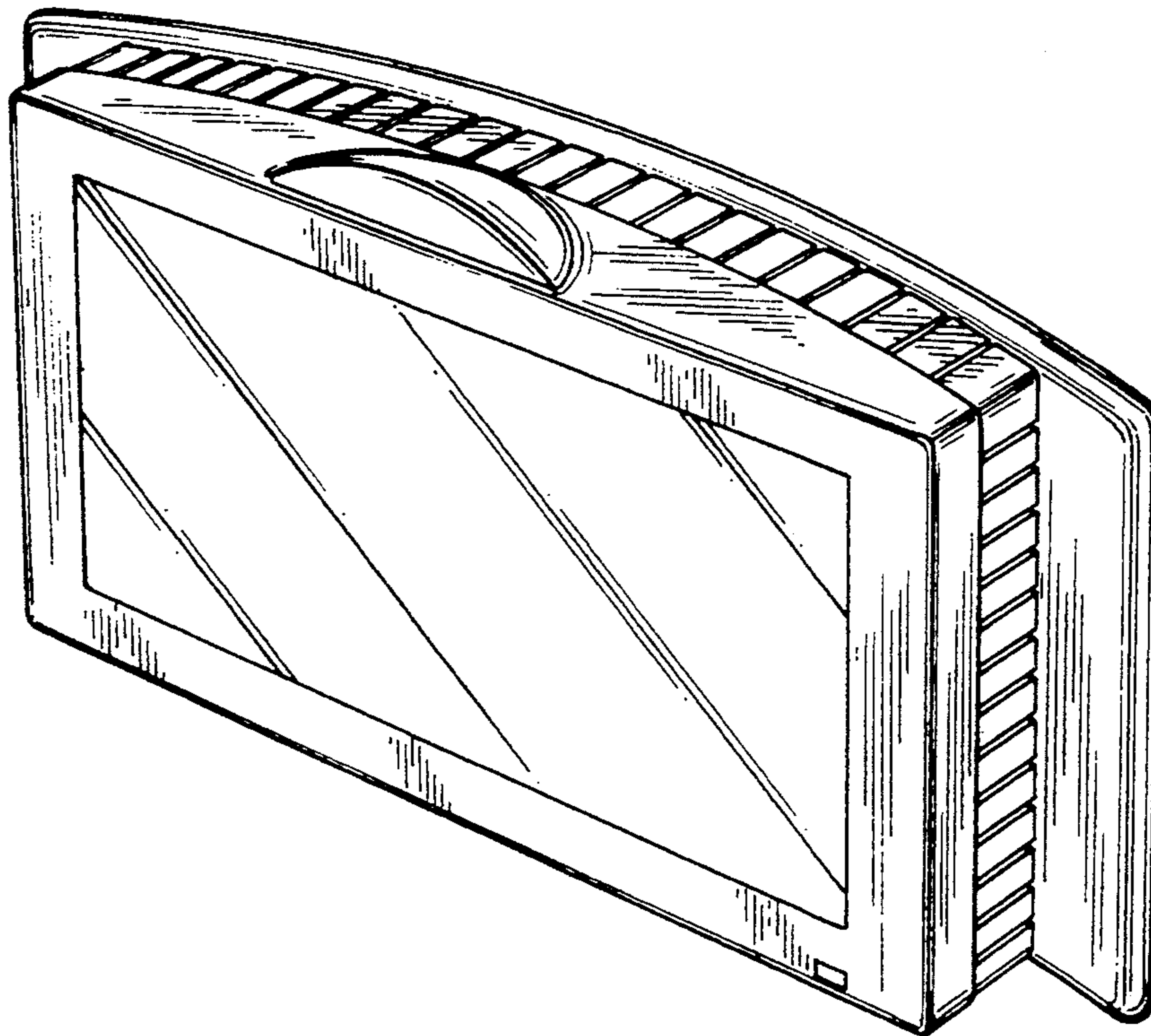


FIG. 1

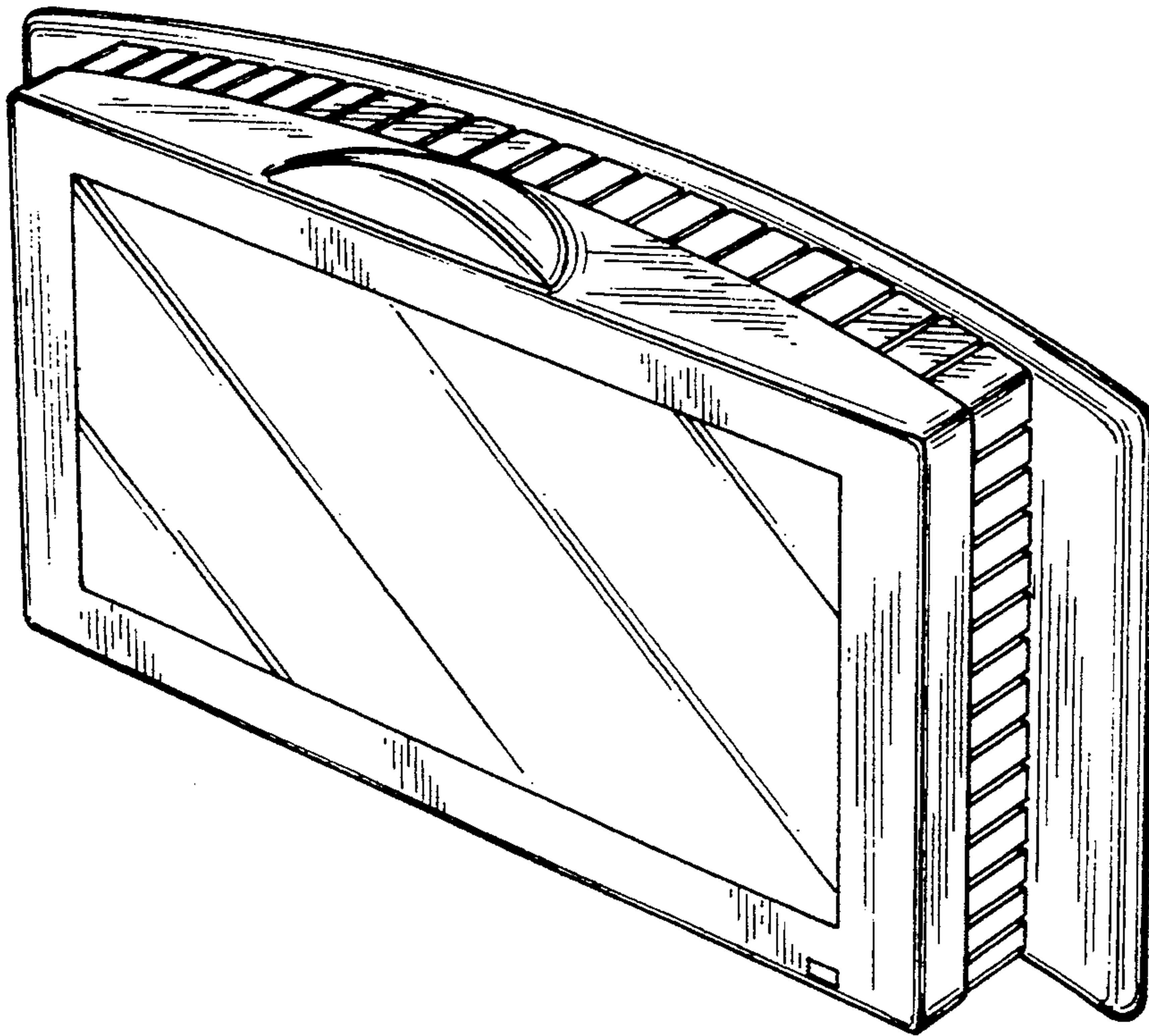


FIG. 2

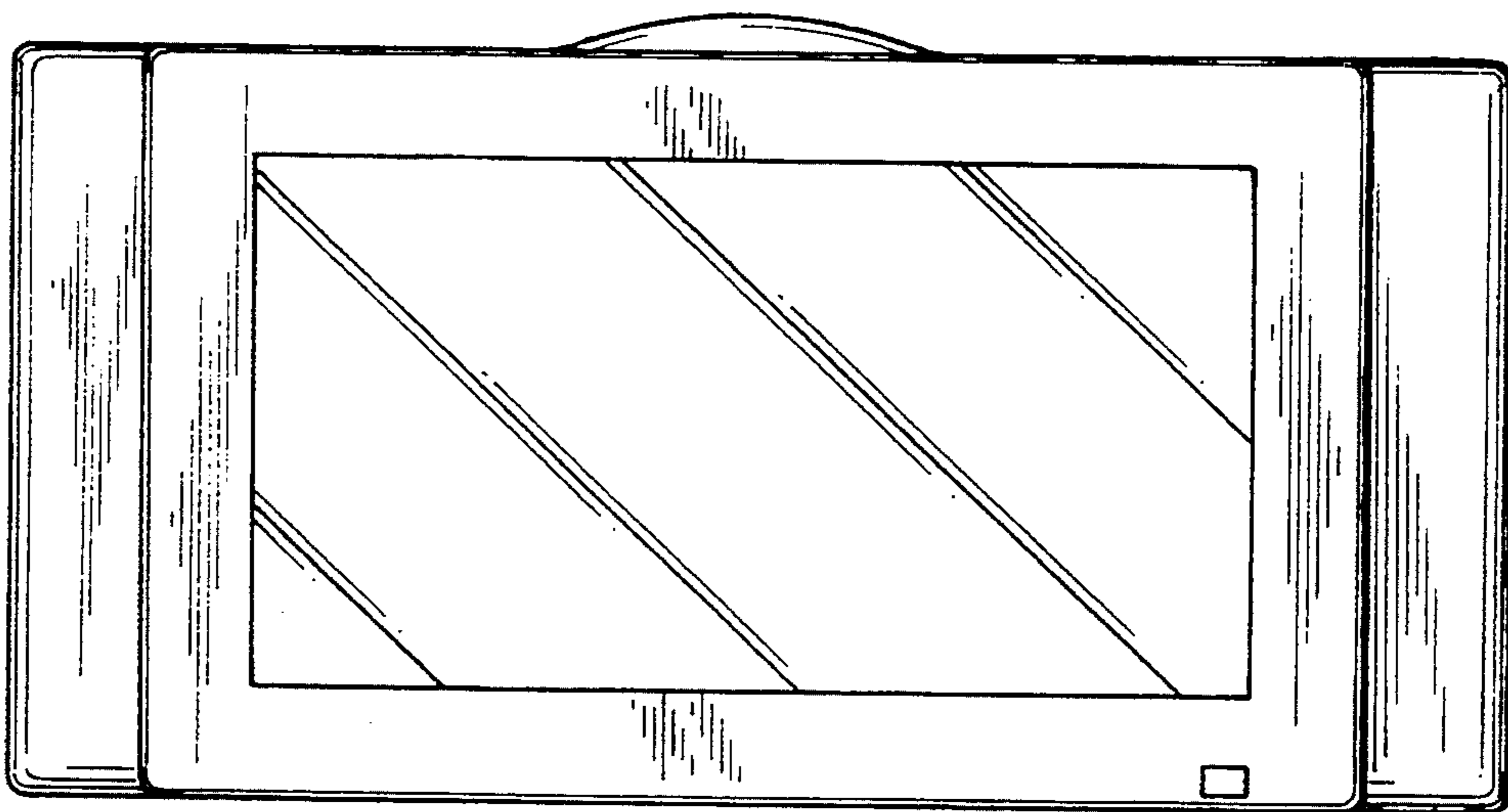
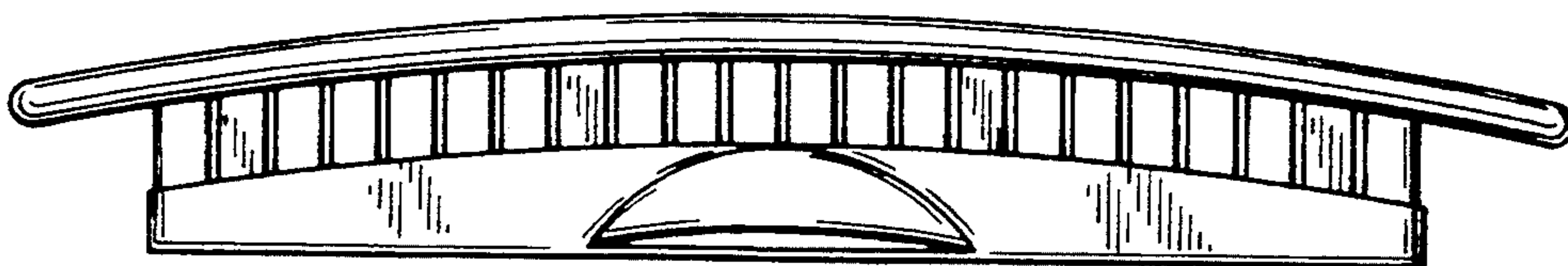
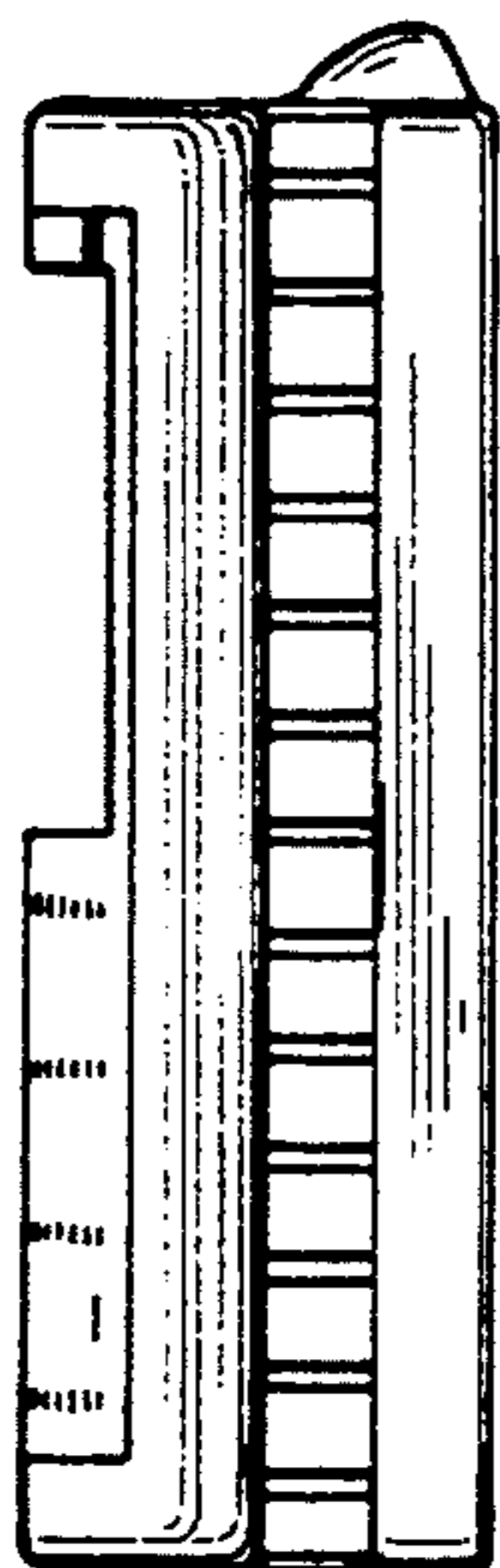


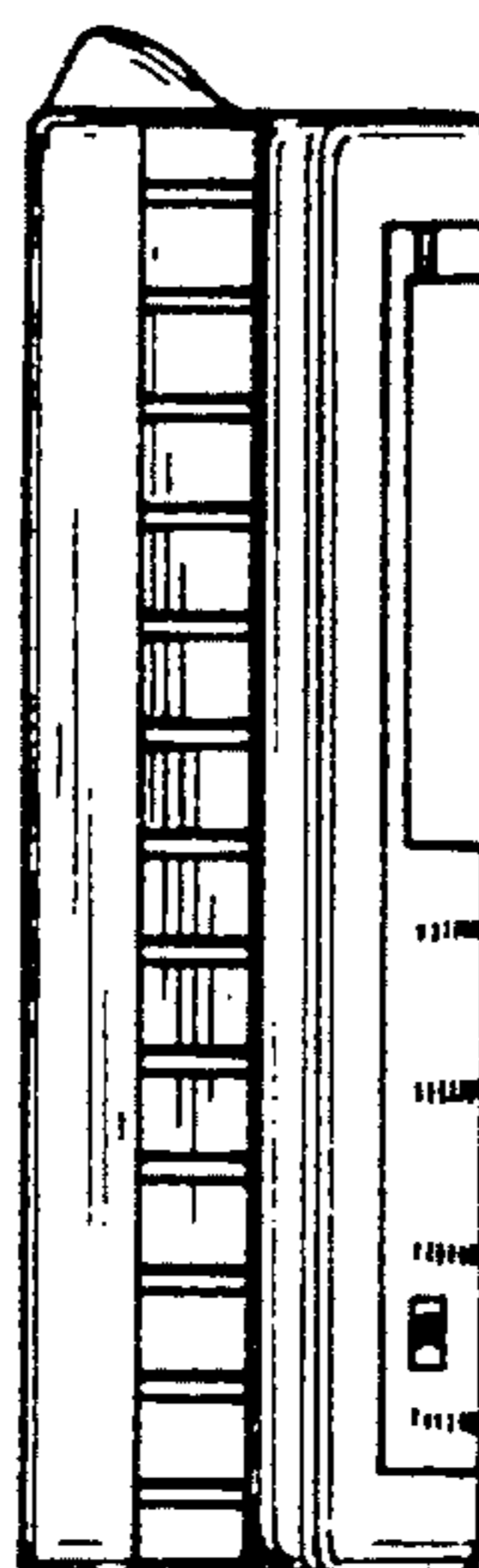
FIG. 3



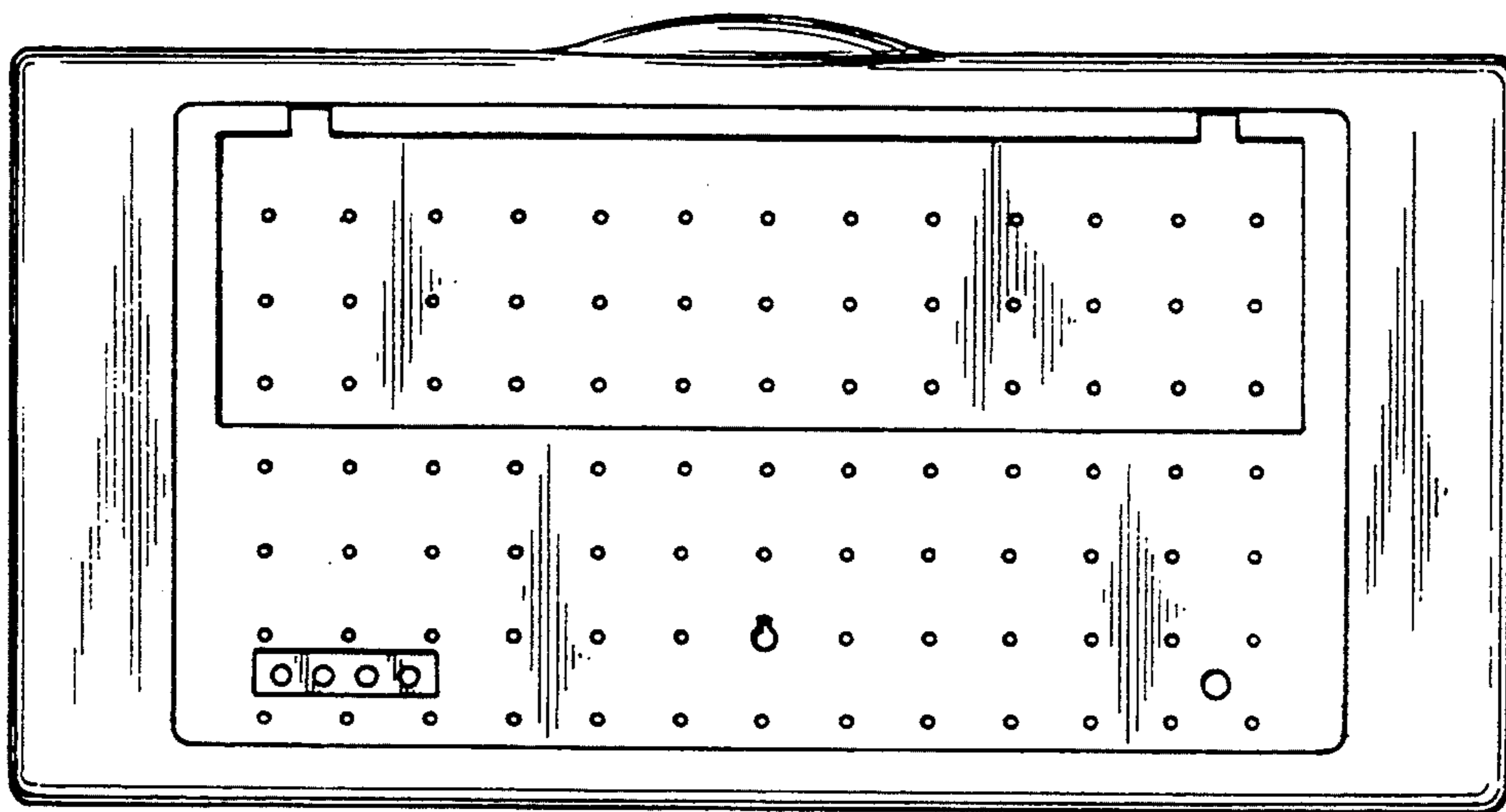
*FIG. 4*



*FIG. 5*



*FIG. 6*



*FIG. 7*

