



US00D350344S

United States Patent [19]

[11] Patent Number: **Des. 350,344**

Nakada

[45] Date of Patent: **** Sep. 6, 1994**

[54] **COMPUTER POINTING DEVICE**

[75] Inventor: **Kazuo Nakada**, Sagamihara, Japan

[73] Assignee: **International Business Machines Corporation**, Armonk, N.Y.

[**] Term: **14 Years**

[21] Appl. No.: **6,998**

[22] Filed: **Apr. 13, 1993**

[30] **Foreign Application Priority Data**

Oct. 13, 1992 [JP] Japan 4-29843

[52] U.S. Cl. **D14/114**

[58] Field of Search 178/18-19;
200/5 R, 5 A, 6 R, 6 A; 213/148 B; 273/148 B;
345/156-167; 74/471 XY; D14/100, 114;
D13/158; D21/48

[56] **References Cited**

U.S. PATENT DOCUMENTS

D. 292,600 11/1987 Wagner D14/114 X

D. 315,552 3/1991 Sacherman D14/114
D. 327,674 7/1992 Kuo D14/114
D. 328,458 8/1992 Bamy D14/114
D. 331,398 12/1992 Clouss et al. D14/114
D. 342,241 12/1993 Ashmun et al. D14/114

Primary Examiner—Wallace R. Burke
Assistant Examiner—M. H. Tung
Attorney, Agent, or Firm—Martin J. McKinley

[57] **CLAIM**

The ornamental design for a computer pointing device, as shown and described.

DESCRIPTION

FIG. 1 is a right front and top perspective view of the computer pointing device;

FIG. 2 is a front elevational view thereof;

FIG. 3 is a rear elevational view thereof;

FIG. 4 is a top plan view thereof;

FIG. 5 is a bottom plan view thereof;

FIG. 6 is a left side elevational view thereof; and,

FIG. 7 is a right side elevational view thereof.

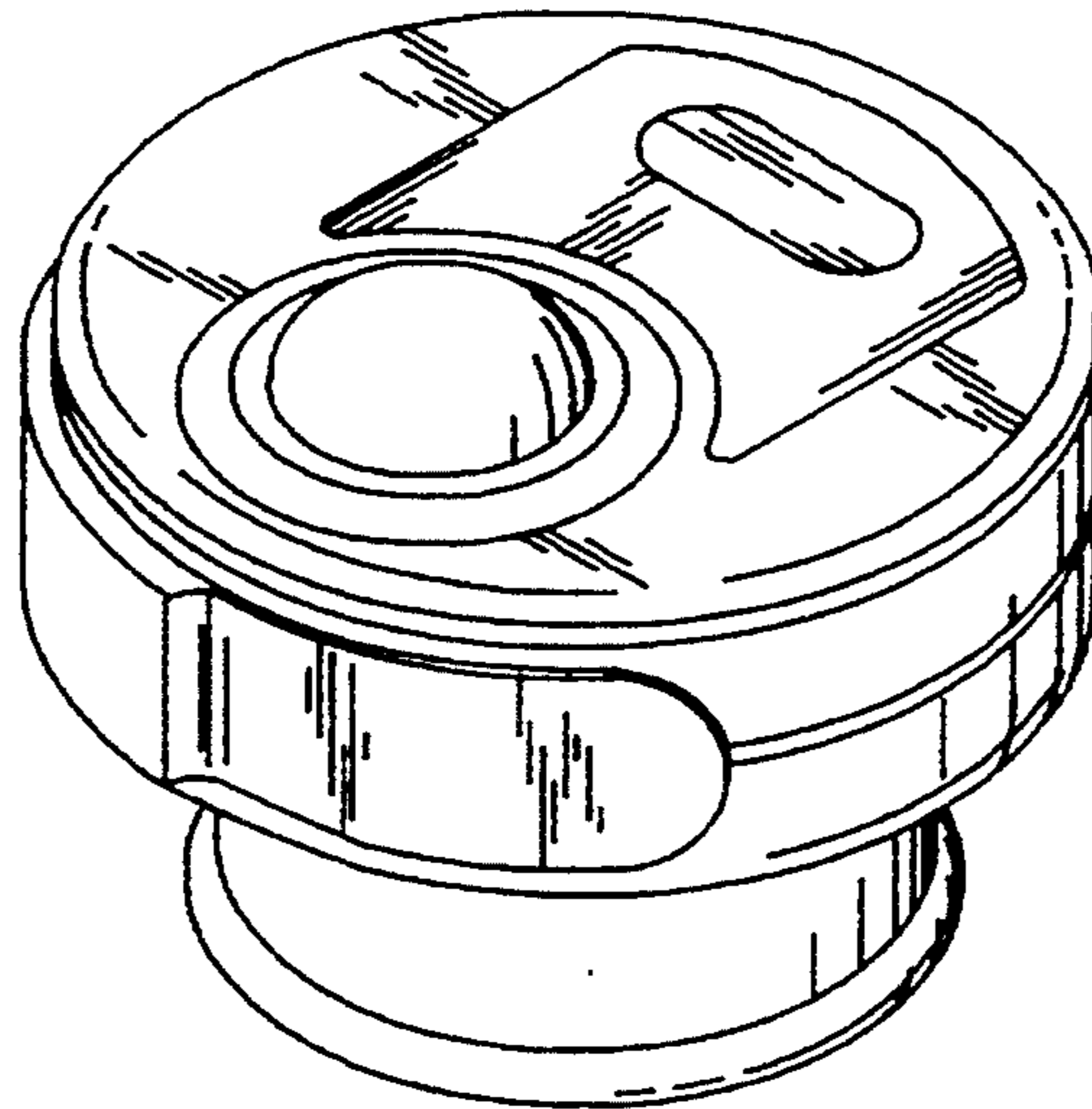


FIG. 1

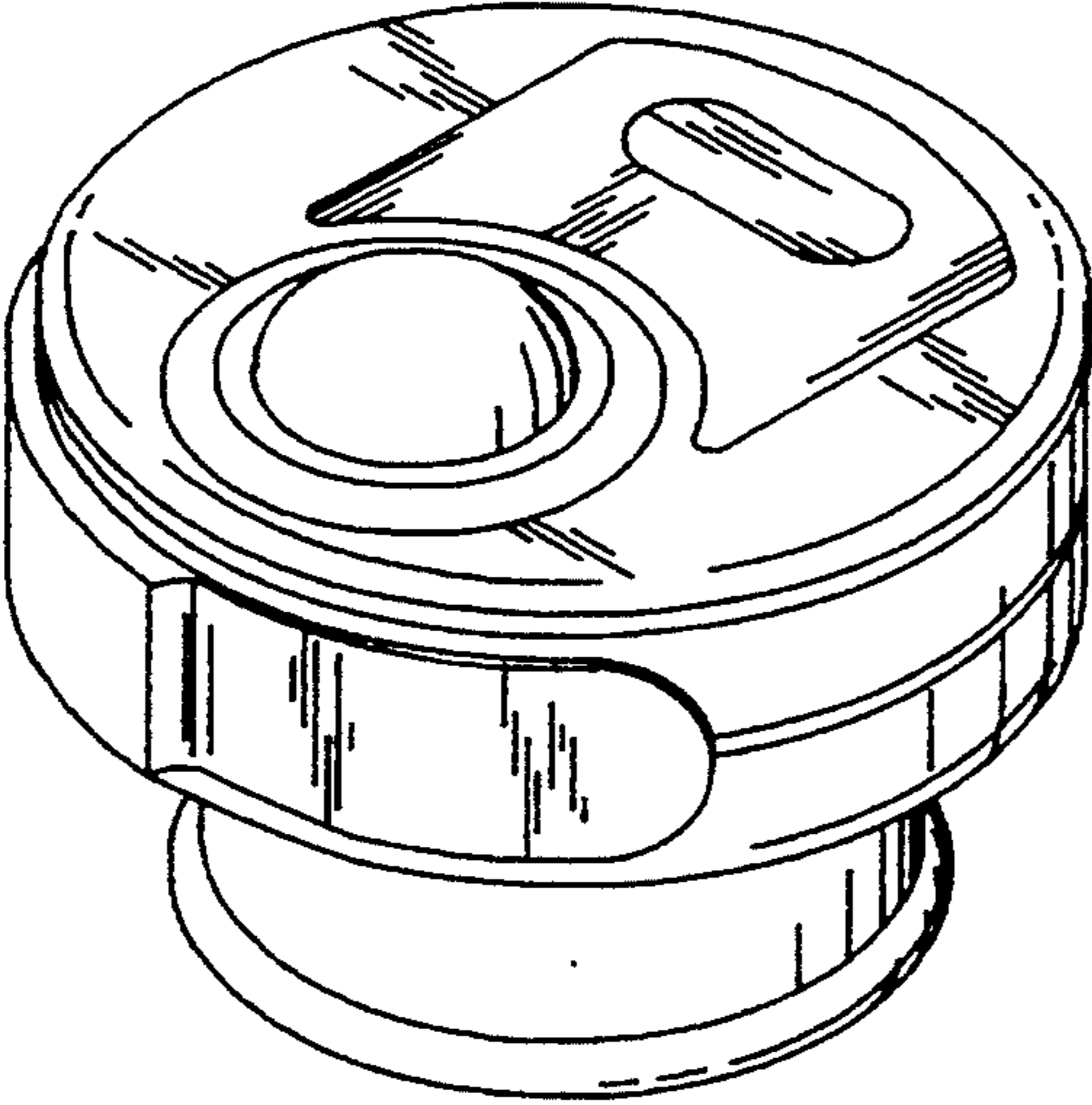


FIG. 2

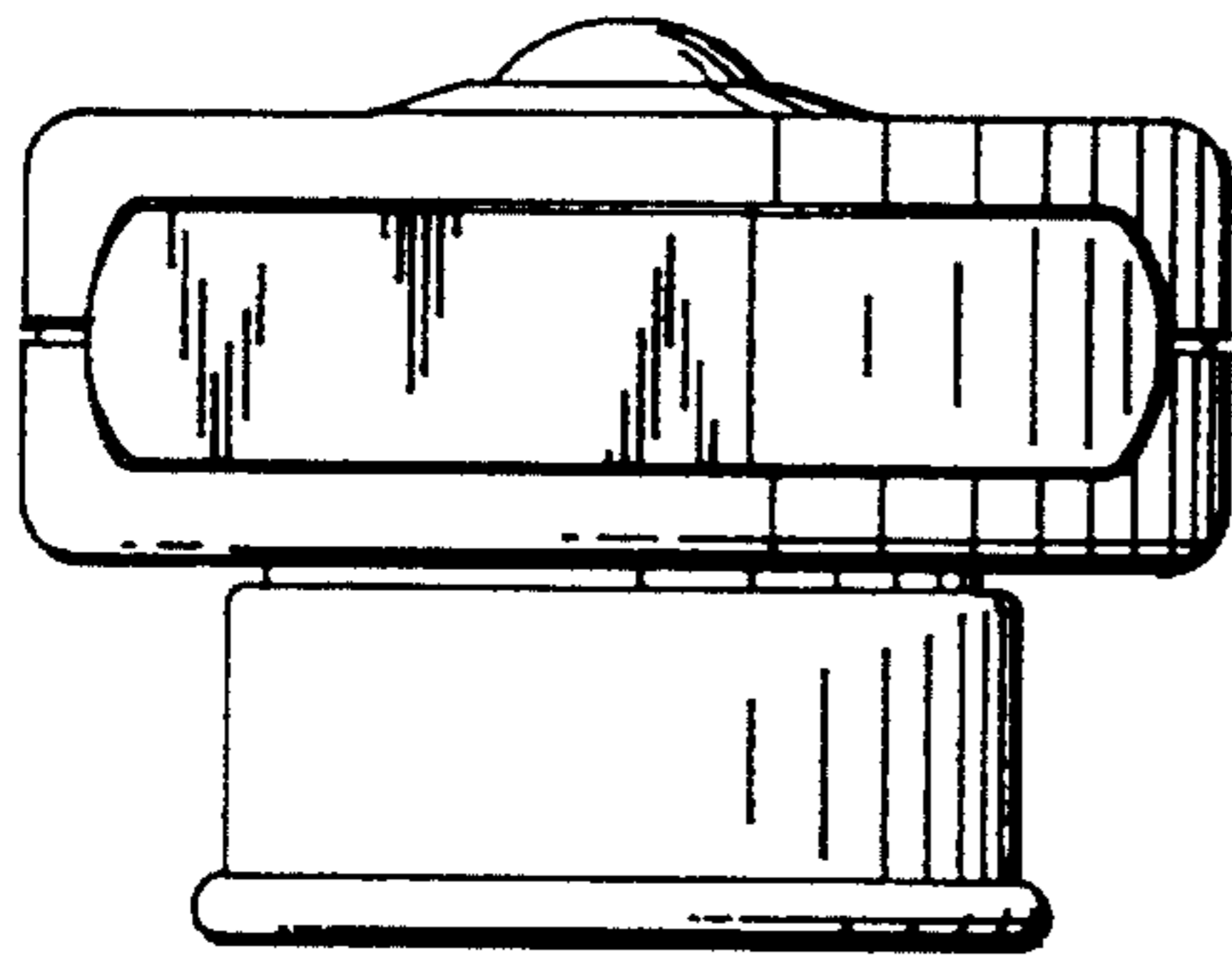


FIG. 3

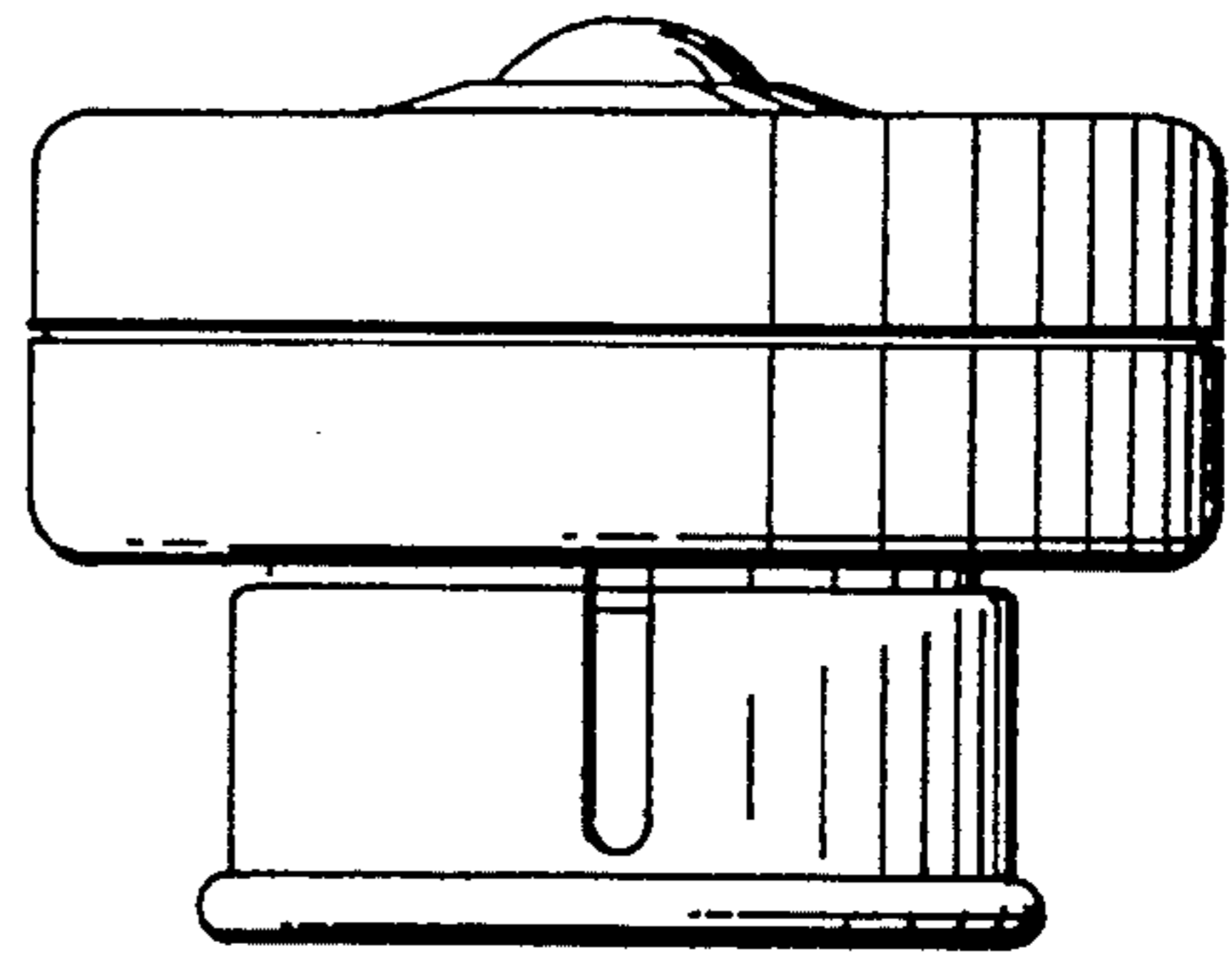


FIG. 4

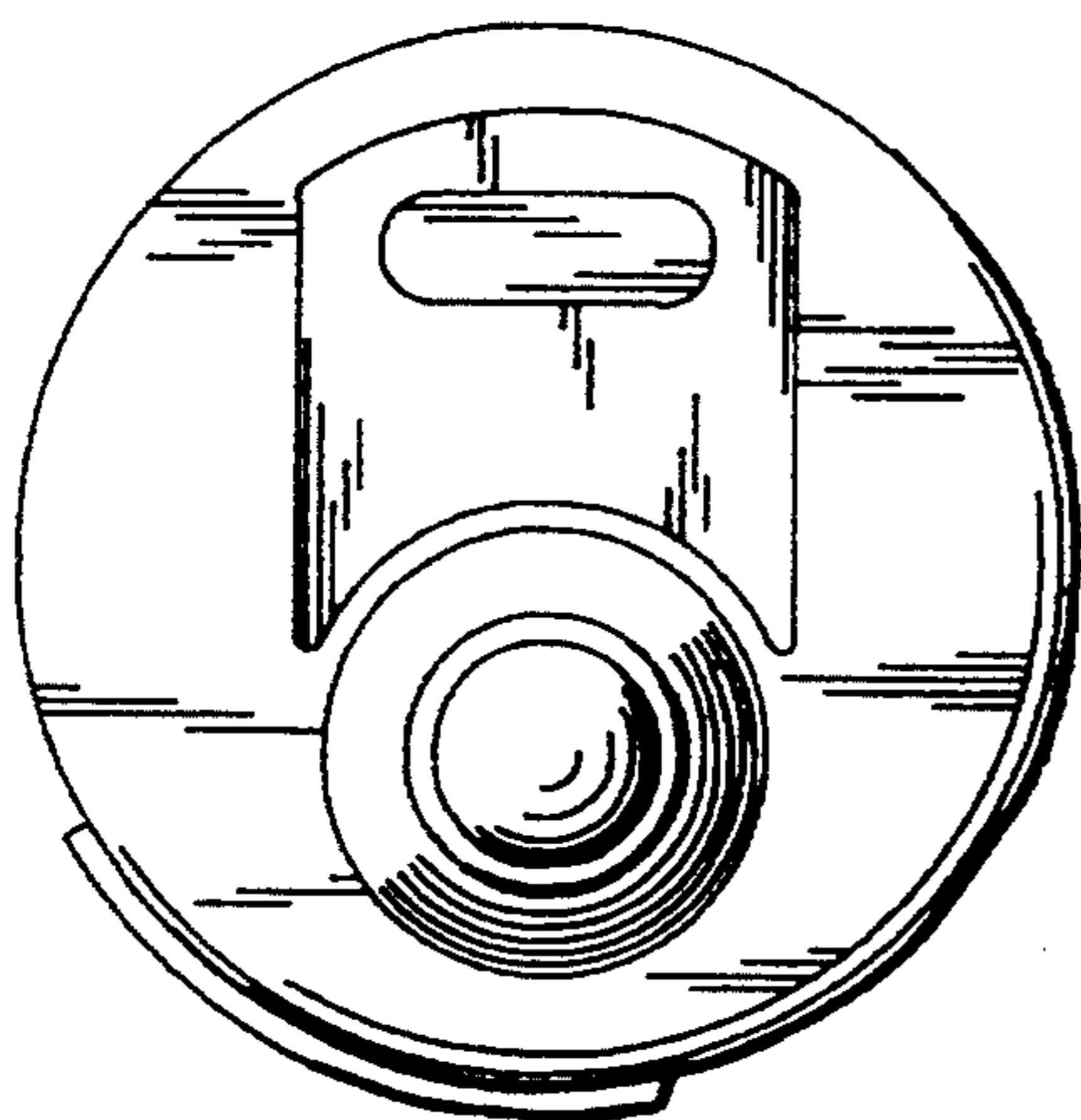


FIG. 5

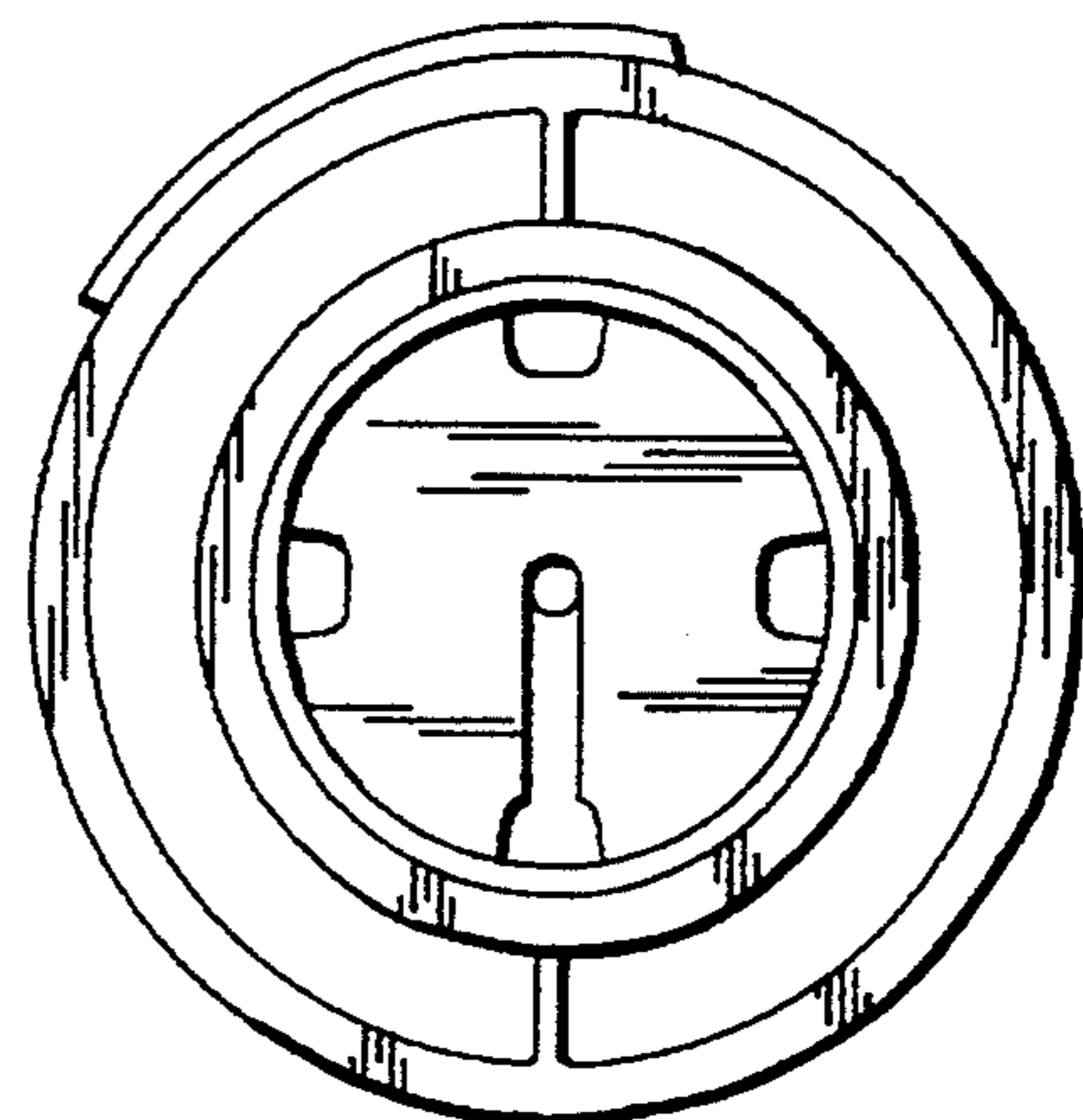


FIG. 6

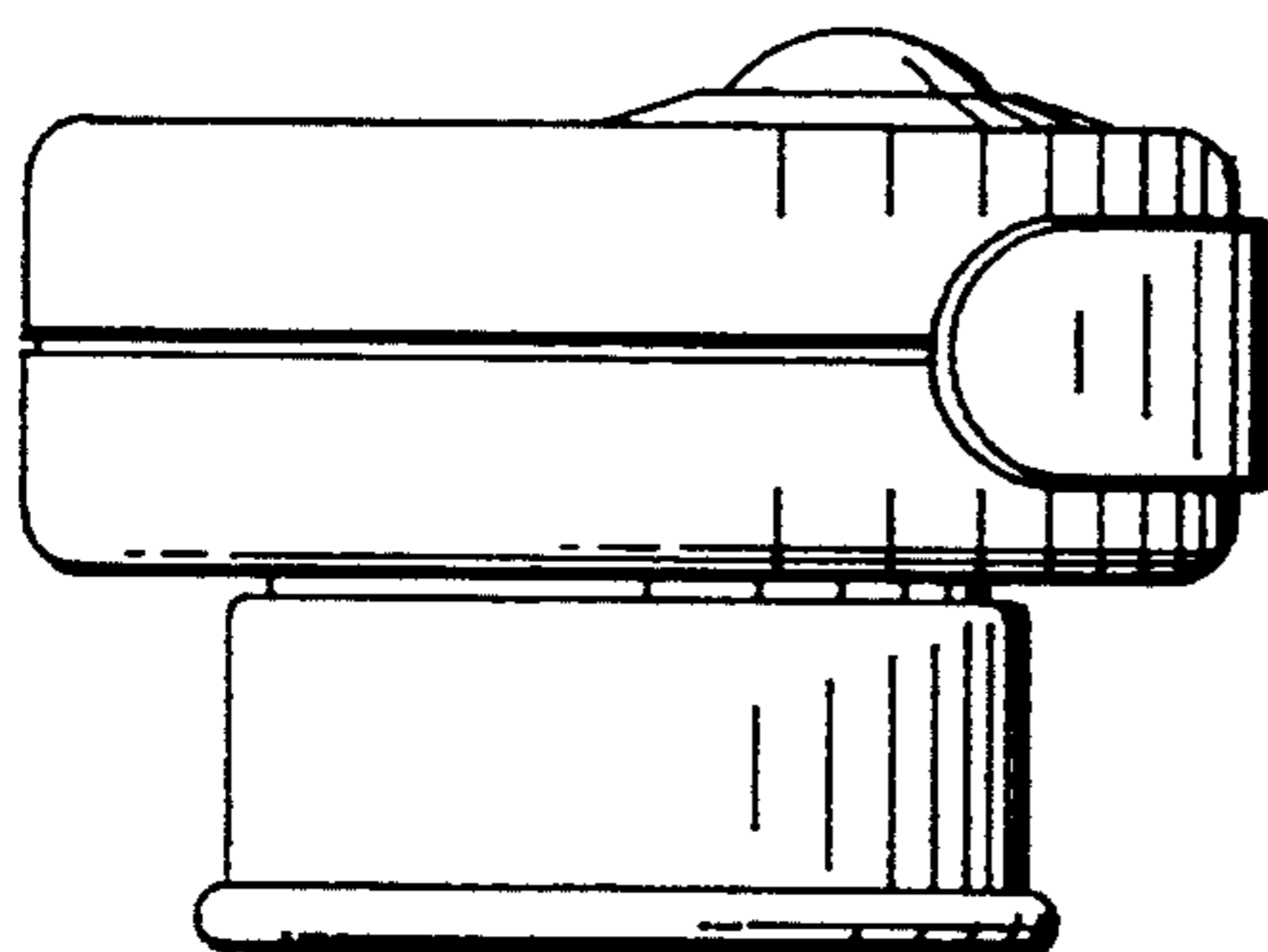


FIG. 7

