



US00D350343S

United States Patent [19]

[11] Patent Number: **Des. 350,343**

Saito et al.

[45] Date of Patent: **** Sep. 6, 1994**

[54] **IMAGE PROCESSING MACHINE FOR INPUTTING RECORDING MEDIUM INTO A PERSONAL COMPUTER**

D. 337,578 7/1993 Nagele D14/118
D. 344,077 2/1994 Inukai et al. D14/118
D. 344,078 2/1994 Inukai et al. D14/118

[75] Inventors: **Hidemi Saito; Eiji Nakazawa; Kenichi Yui**, all of Minamikoma, Japan

Primary Examiner—Wallace R. Burke
Assistant Examiner—M. H. Tung
Attorney, Agent, or Firm—Kanesaka & Takeuchi

[73] Assignee: **Nisca Corporation**, Yamanashi, Japan

[57] **CLAIM**

[**] Term: **14 Years**

The ornamental design for an image processing machine for inputting recording medium into a personal computer, as shown and described.

[21] Appl. No.: **928,192**

[22] Filed: **Aug. 12, 1992**

DESCRIPTION

[30] **Foreign Application Priority Data**

Feb. 22, 1992 [JP] Japan 4-4673

[52] U.S. Cl. **D14/114**

[58] **Field of Search** 358/400-404;
361/600, 622, 627-636, 679, 683-687;
D14/114, 116, 113, 124, 299; D18/54-55

FIG. 1 is a perspective view of an image processing machine for inputting recording medium into a personal computer showing our new design, the broken line drawings of supporting document trays are for illustrative purposes only and form no part of the claimed design;

FIG. 2 is a rear elevation view of the image inputting machine of the invention;

FIG. 3 is a top plan view thereof;

FIG. 4 is a front elevation view thereof;

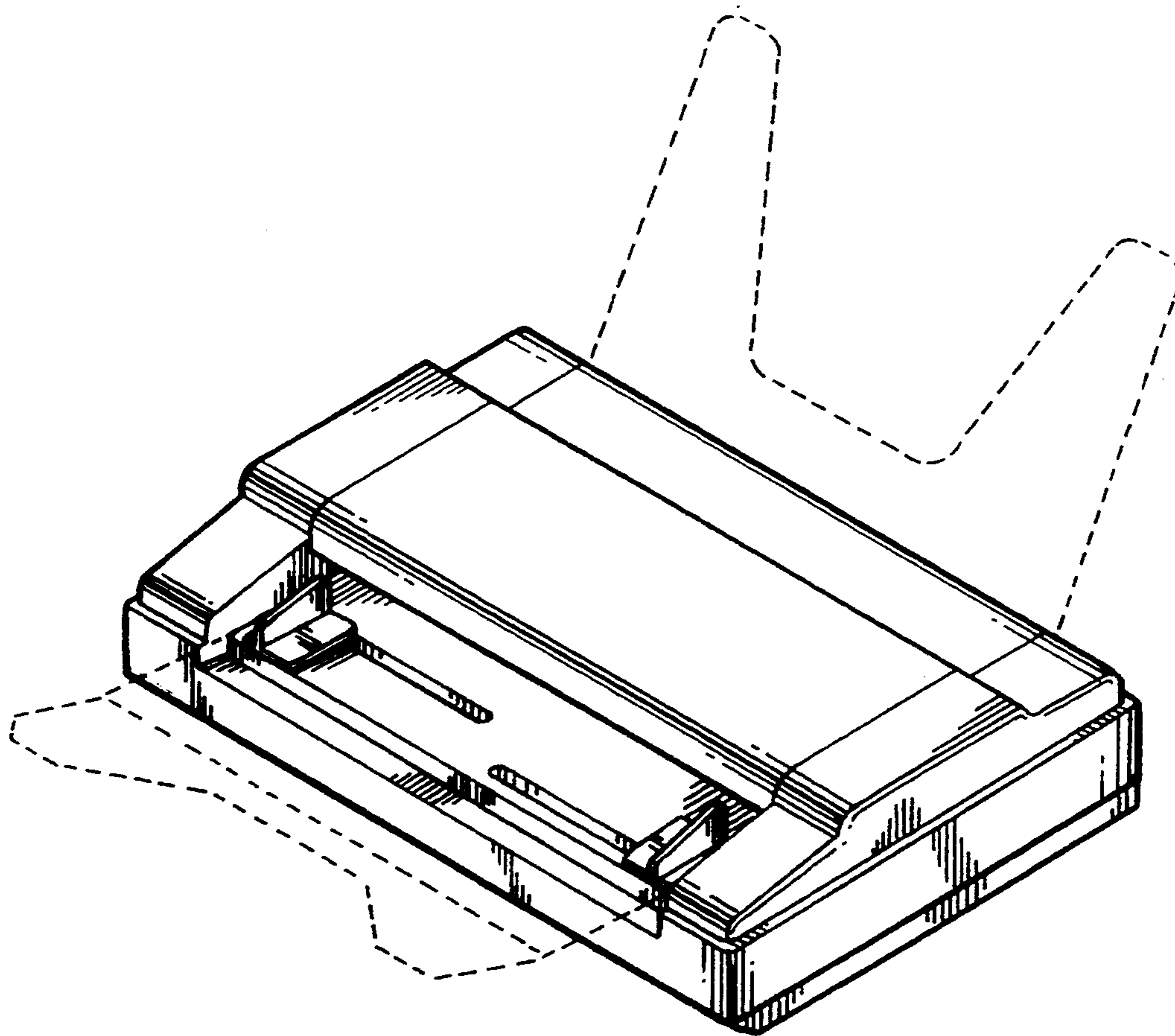
FIG. 5 is a bottom plan view thereof; and,

FIG. 6 is a right side elevational view thereof, the left side is a mirror image.

[56] **References Cited**

U.S. PATENT DOCUMENTS

D. 329,643 9/1992 Hiroki D14/118
D. 330,200 10/1992 Cheung D14/118
D. 331,753 12/1992 Itou et al. D14/118



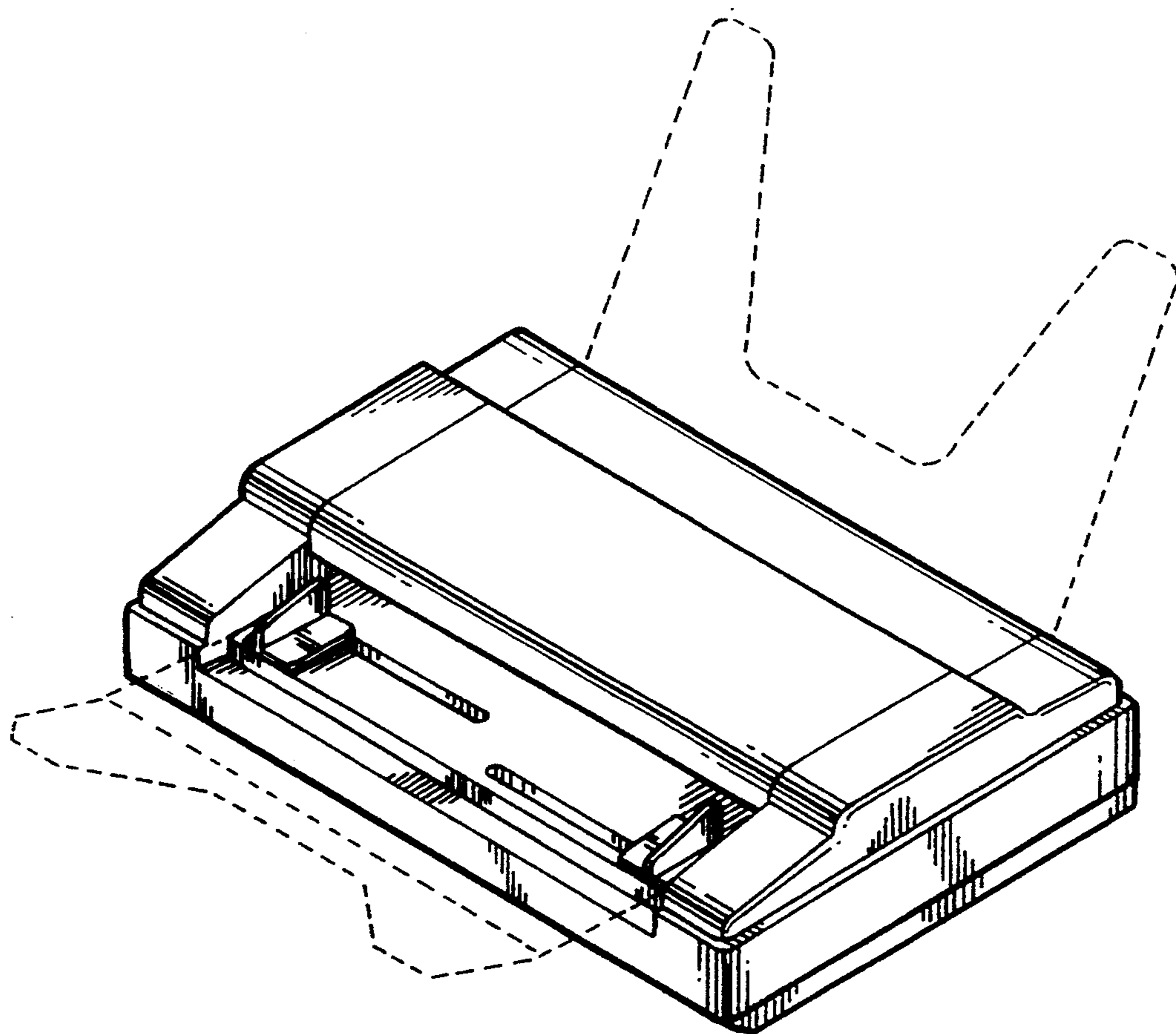


FIG. 1

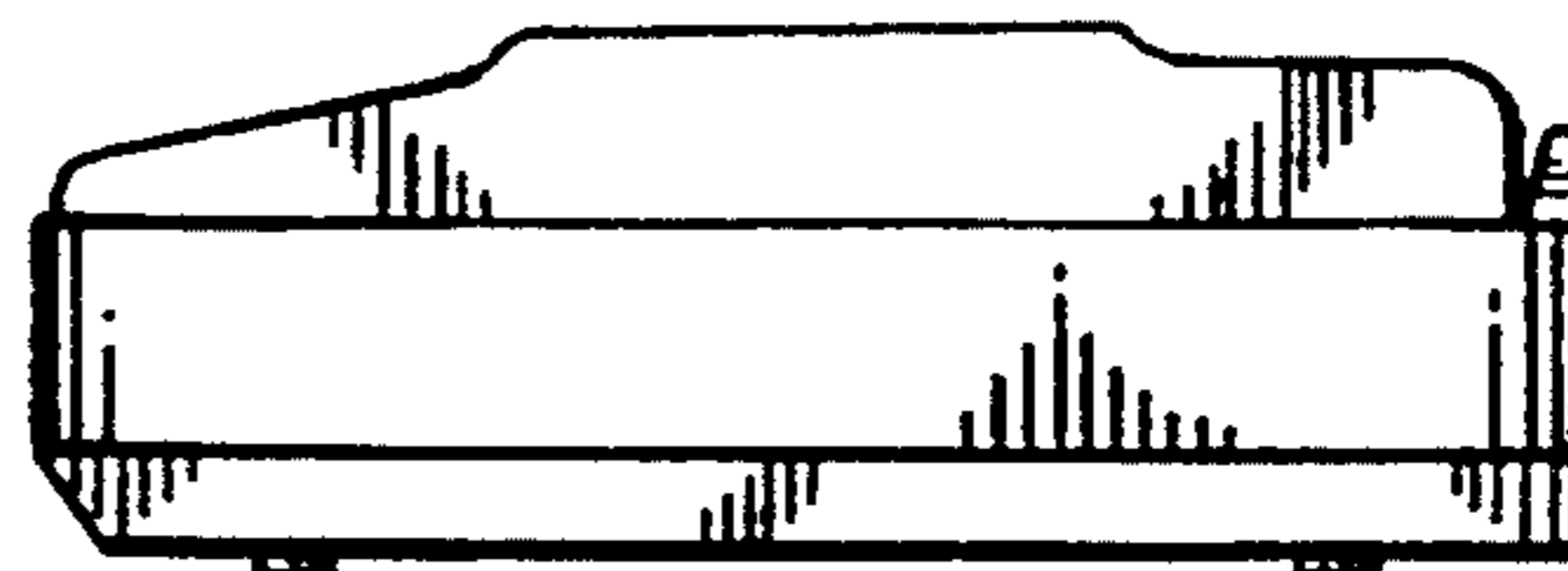


FIG. 6

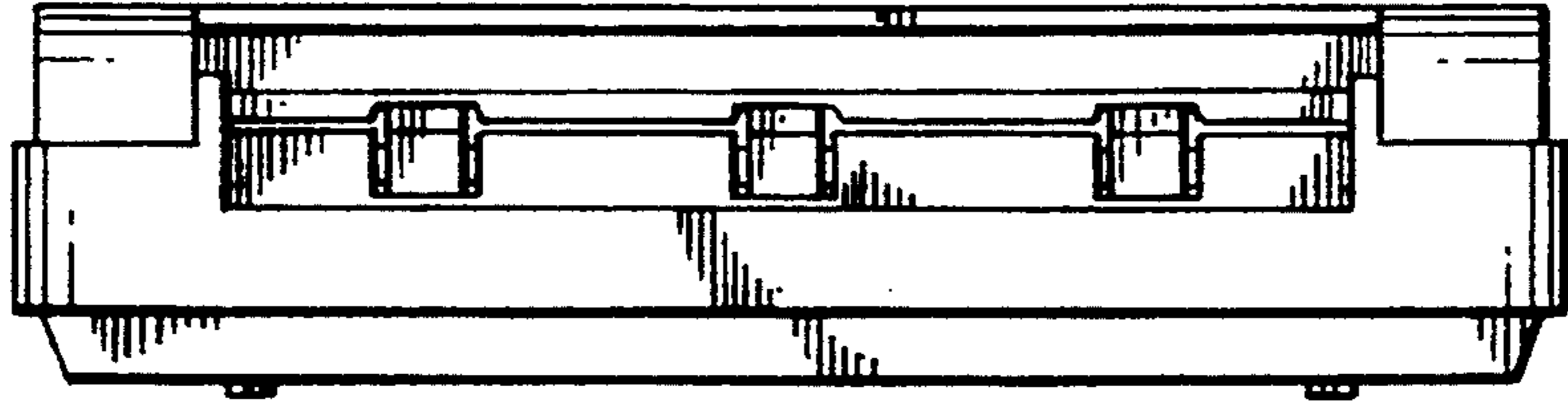


FIG. 2

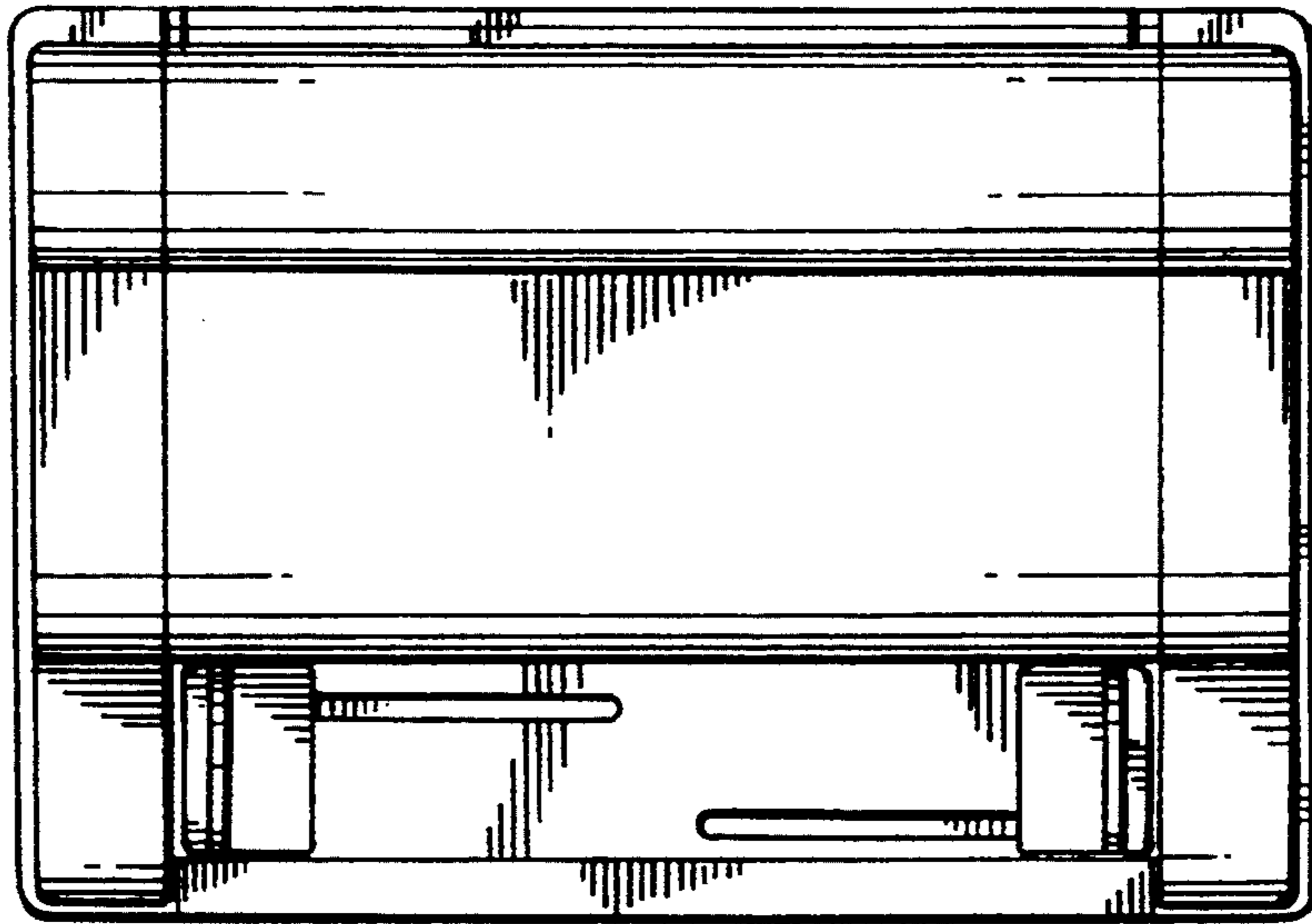


FIG. 3

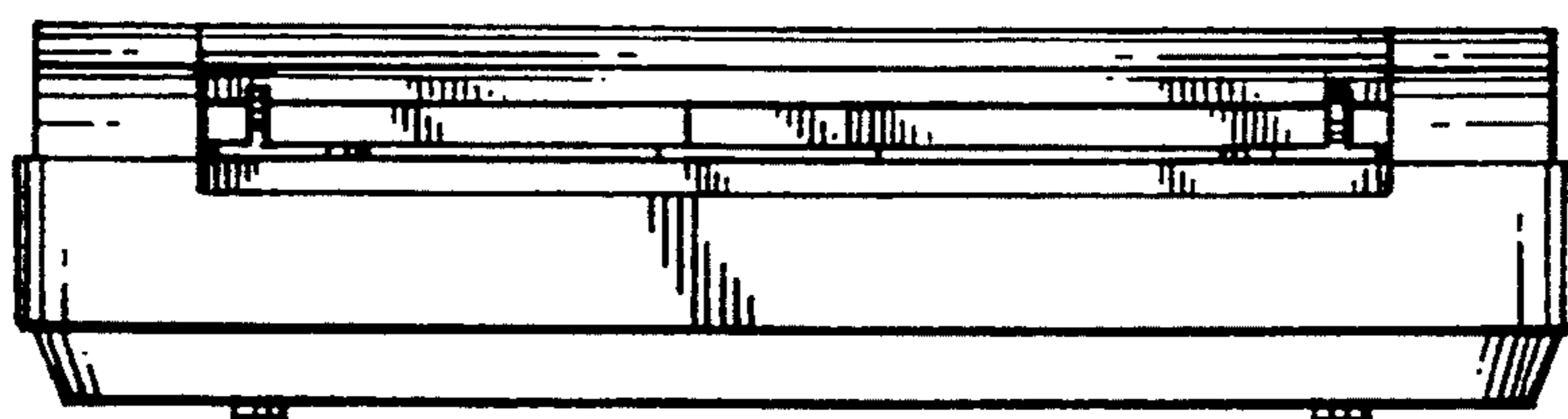


FIG. 4

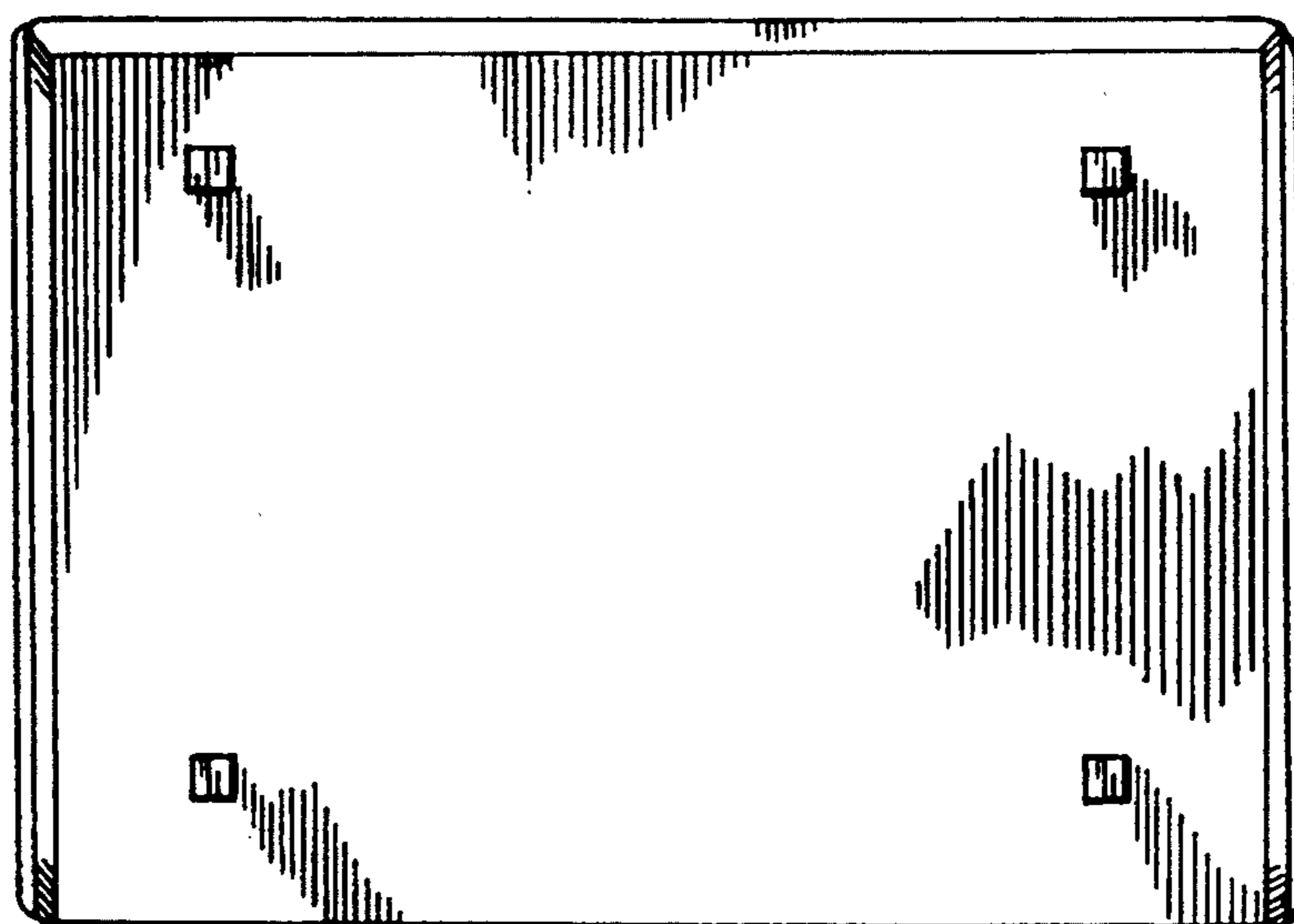


FIG. 5