



US00D350342S

United States Patent [19] Sack

[11] Patent Number: **Des. 350,342**
[45] Date of Patent: **** Sep. 6, 1994**

- [54] **COMBINED OPTICAL VIEWING ENHANCER AND SUPPORT FOR A COMPUTER MONITOR**
- [75] Inventor: **Arthur Sack, Staatsburg, N.Y.**
- [73] Assignee: **Less Gauss, Inc., Rhinebeck, N.Y.**
- [**] Term: **14 Years**
- [21] Appl. No.: **862,288**
- [22] Filed: **Mar. 31, 1992**
- [52] U.S. Cl. **D14/114**
- [58] Field of Search 358/64, 231, 250, 252, 358/255; 359/599, 601, 608-610, 614, 894; D14/113-114, 239

Primary Examiner—Wallace R. Burke
Assistant Examiner—M. H. Tung

[57] **CLAIM**

The ornamental design for a combined optical viewing enhancer and support for a computer monitor, as shown and described.

DESCRIPTION

FIG. 1 is a front perspective view of an combined optical viewing enhancer and support for computer monitor showing my new design, on a reduced scale, with the broken line drawing of a computer monitor being for illustrative purposes only and forming no part of the claimed design;

FIG. 2 is an exploded side view in elevation of the optical element support for computer monitors of FIG. 1;

FIG. 3 is a front view in elevation of the optical element support for computer monitors of FIG. 1;

FIG. 4 is a top view in plan of the optical element support for computer monitors of FIG. 1;

FIG. 5 is a rear view in elevation of the optical element support for computer monitors of FIG. 1;

FIG. 6 is a bottom view in plan of the optical element support for computer monitors of FIG. 1; and,

FIG. 7 is a rear perspective view of a combined optical viewing enhancer and support for a computer monitor, on a reduced scale, the viewing enhancer is shown broken away for ease of illustration.

[56] **References Cited**

U.S. PATENT DOCUMENTS

D. 298,250	10/1988	Kildall	D14/114
D. 311,739	10/1990	De Lucchi	D14/114
D. 338,194	8/1993	Hartwig	D14/114
3,109,063	10/1963	Parker .	
3,418,426	12/1968	Schlegel et al. .	
3,518,373	6/1970	Cushera et al. .	
3,632,873	1/1972	Henkin .	
4,309,074	1/1982	Granieri, Jr. .	
4,349,173	9/1982	Volka et al.	248/346
4,391,495	7/1983	Mazurkewitz .	
4,712,870	12/1987	Robinson et al.	248/918 X
4,958,907	9/1990	Davis	D14/114 X

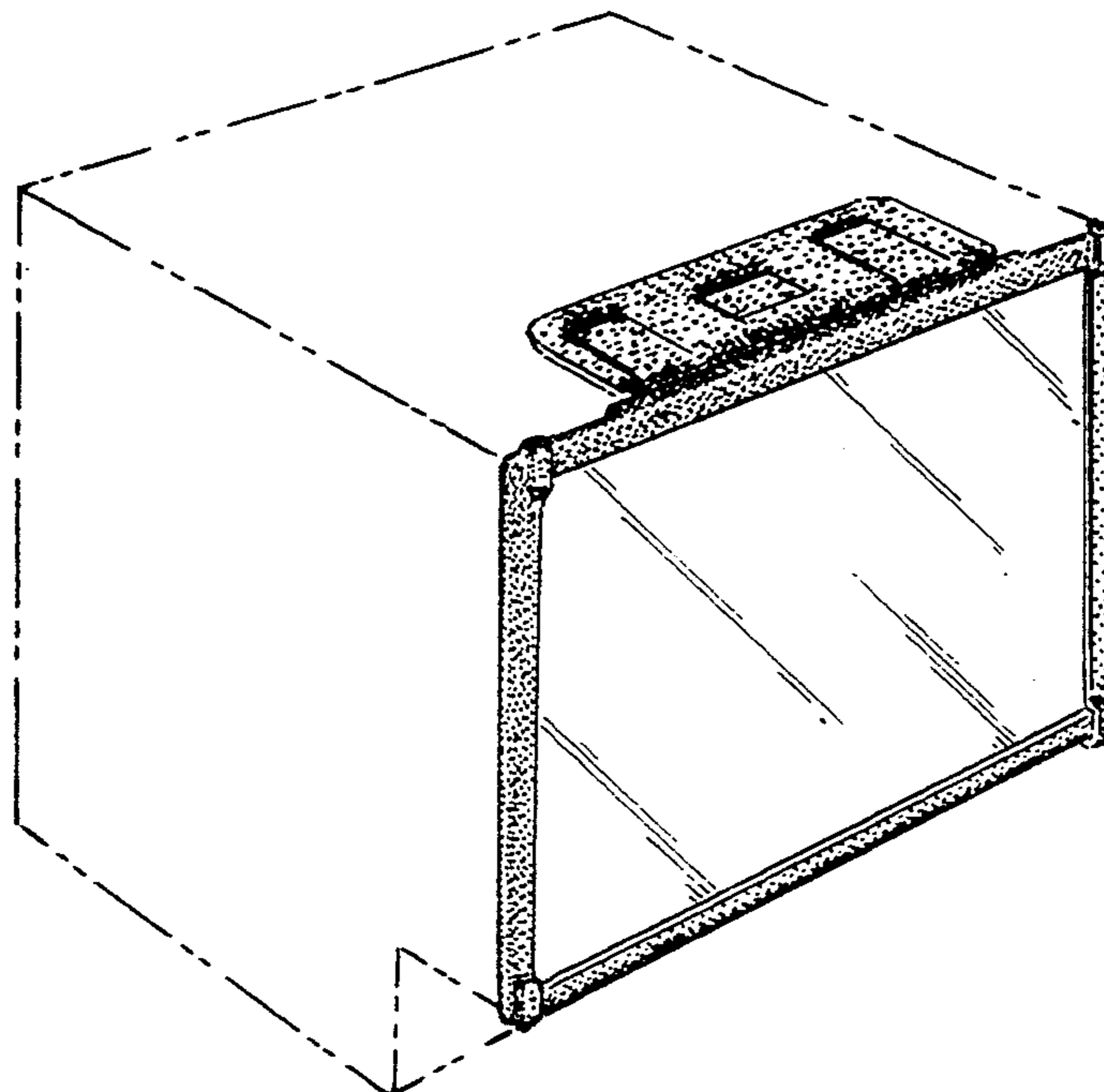


FIG. 1

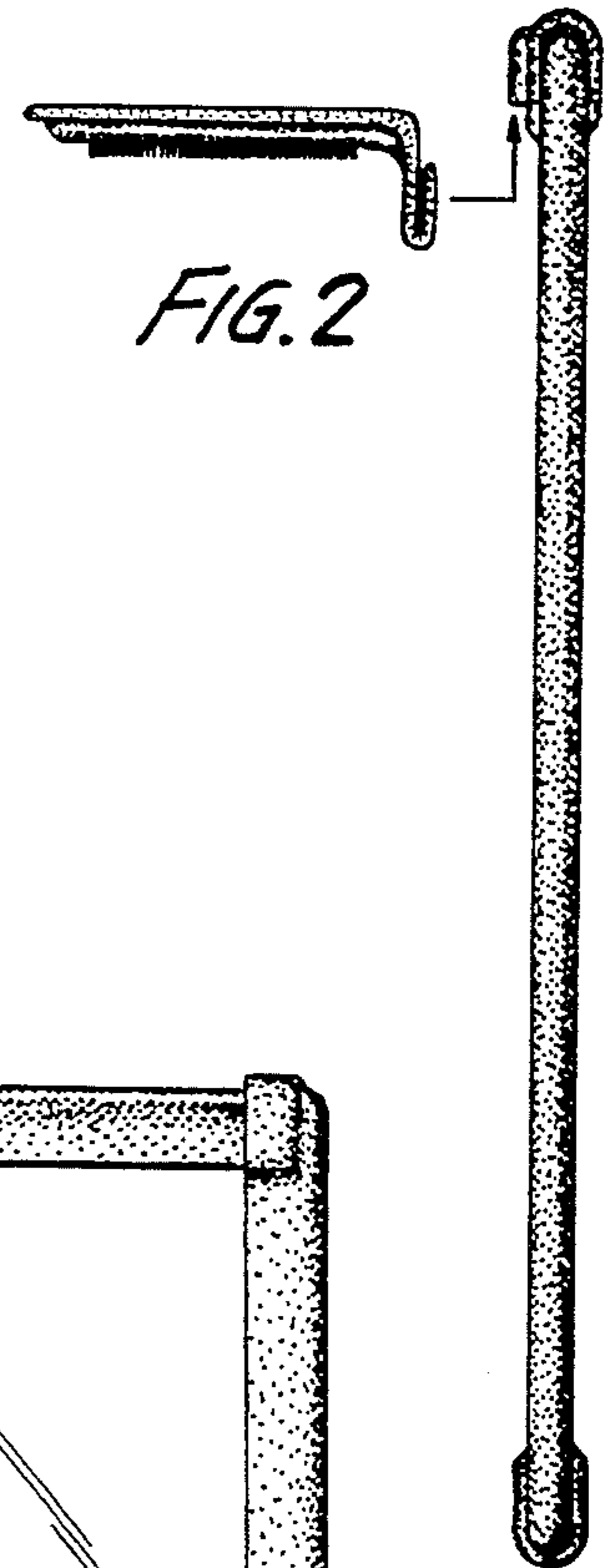
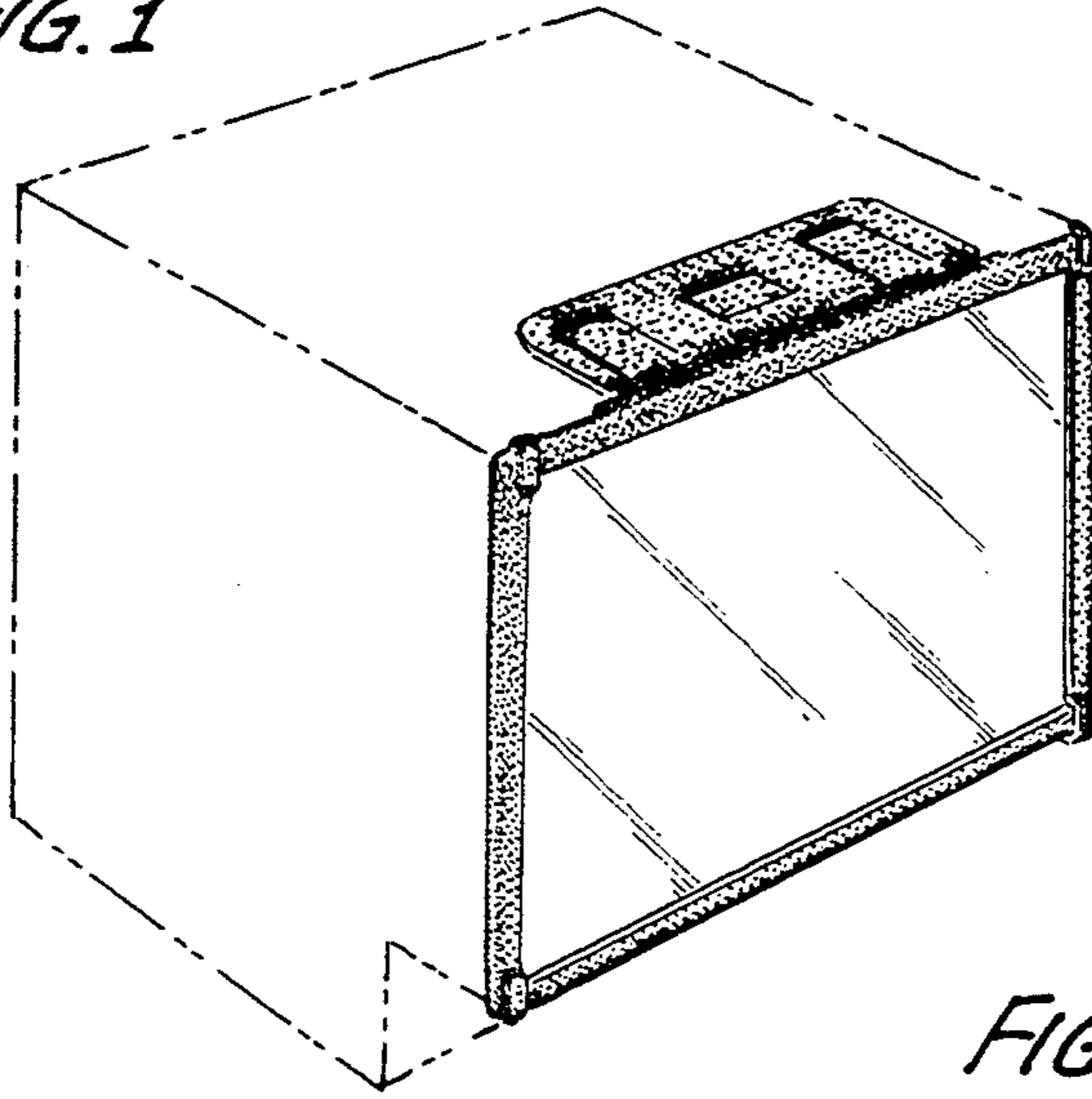


FIG. 2

FIG. 3

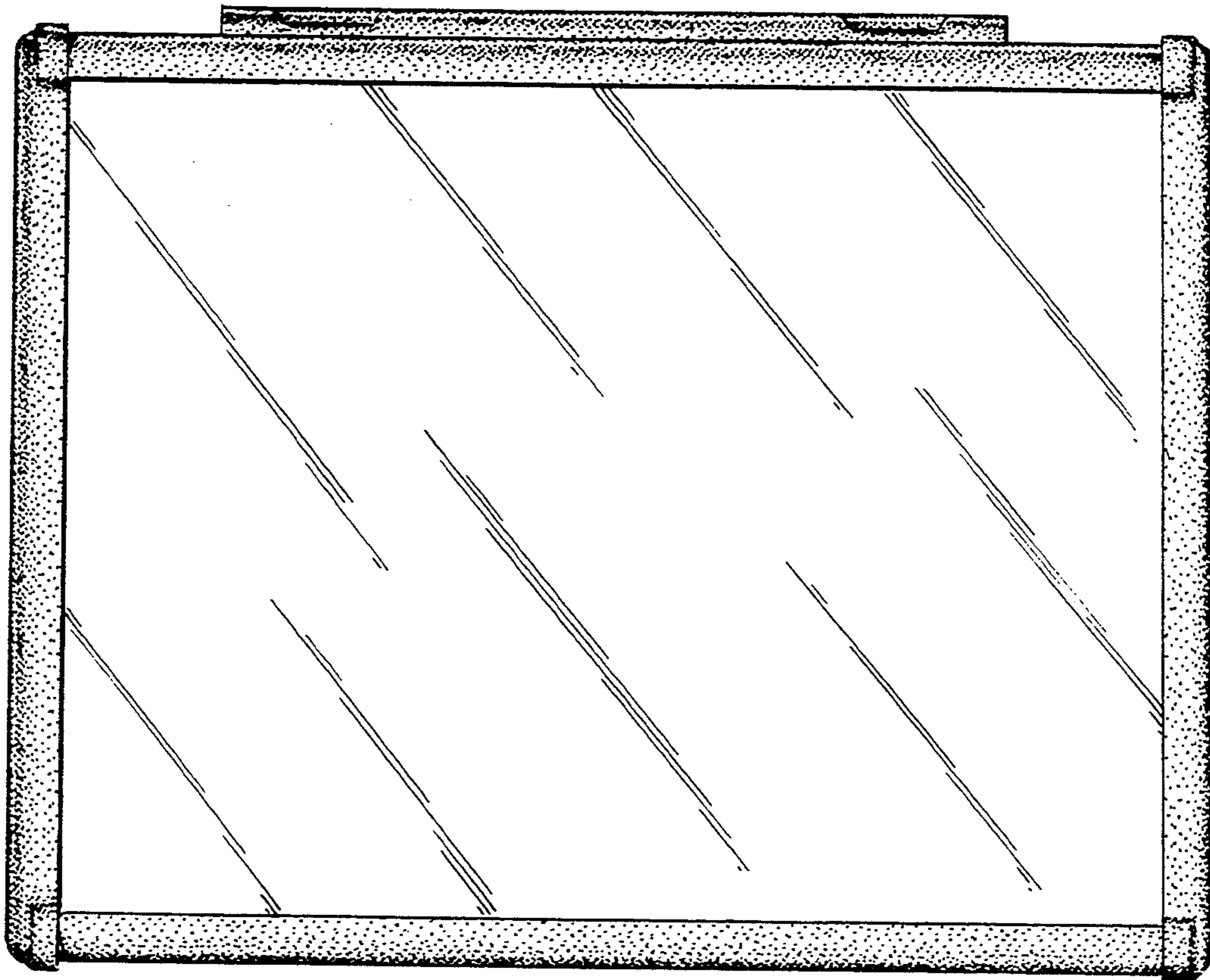


FIG. 4

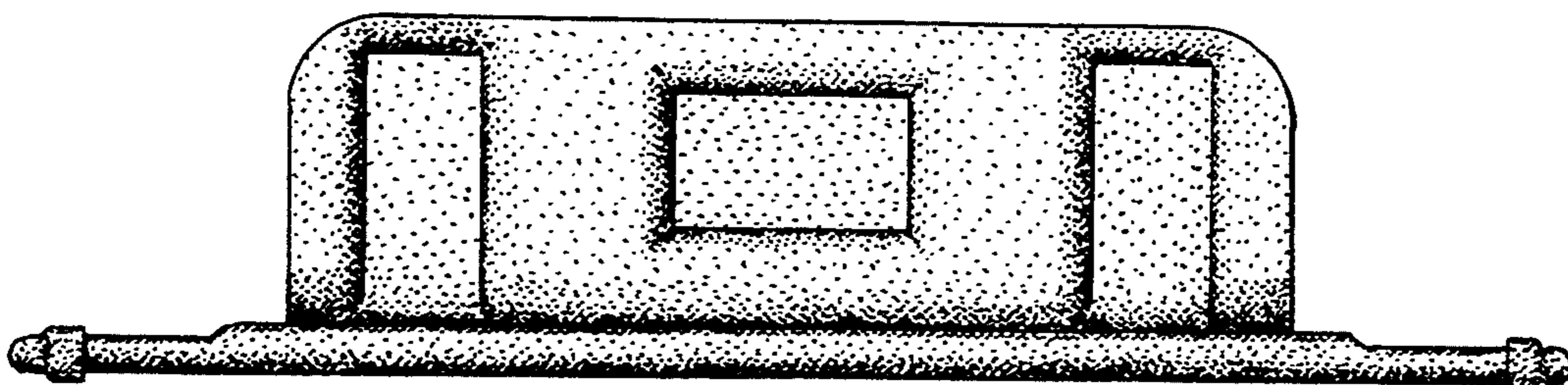


FIG. 5

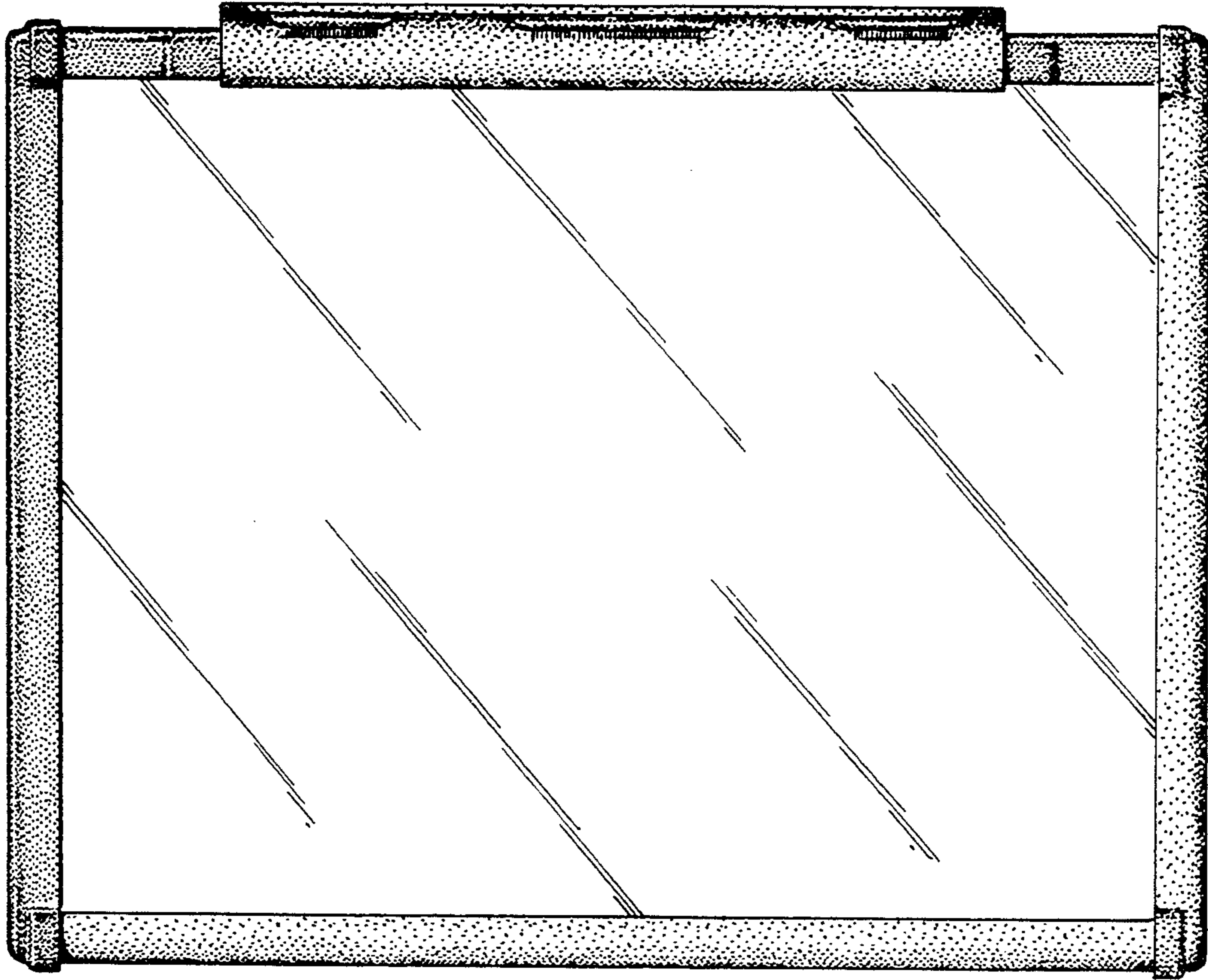


FIG. 6

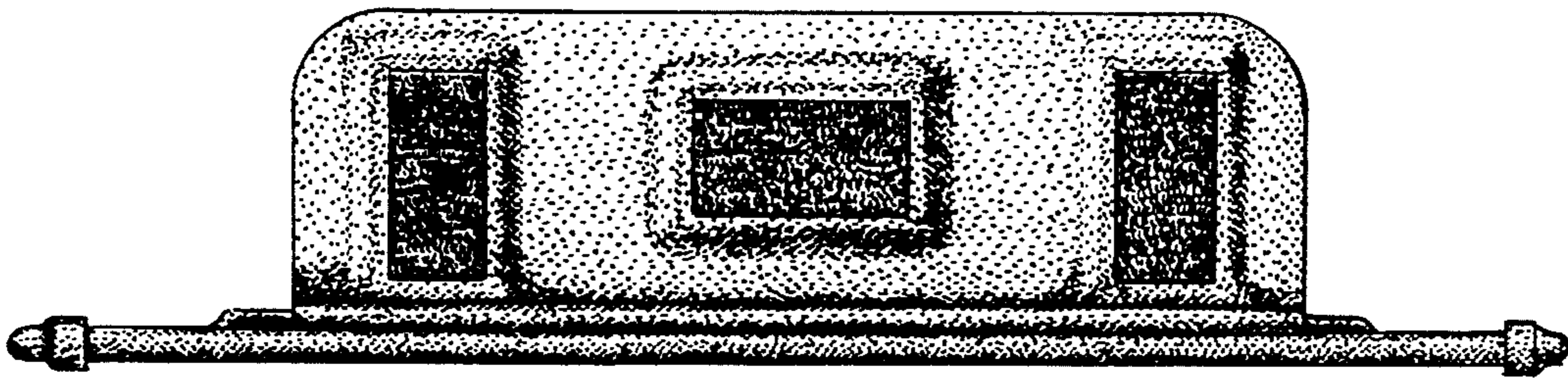


FIG. 7

