



US00D350341S

# United States Patent [19]

[11] Patent Number: **Des. 350,341**

**Landry**

[45] Date of Patent: **\*\* Sep. 6, 1994**

[54] **DISPLAY MONITOR**

[75] Inventor: **Christian C. Landry**, Harvard, Mass.

[73] Assignee: **Digital Equipment Corp.**, Maynard, Mass.

[\*\*] Term: **14 Years**

[21] Appl. No.: **6,094**

[22] Filed: **Mar. 16, 1993**

[52] U.S. Cl. .... **D14/113**

[58] Field of Search ..... 340/700, 706; 358/249, 358/254, 255; 248/917-924; D14/100, 101, 113, 124-127

Ares Product Photo "Computer Shopper" Magazine, Apr. 1992, Advertisement on p. 59.

Crystalscan Product Photo "Computer Shopper" Magazine, Apr. 1992, Advertisement on p. 34.

Centrix Product Photo "Computer Shopper" Magazine, Apr. 1992, p. 65.

*Primary Examiner*—Wallace R. Burke

*Assistant Examiner*—Freda S. Nunn

*Attorney, Agent, or Firm*—Albert P. Cefalo; Ronald C. Hudgens; Barry N. Young

[57] **CLAIM**

The ornamental design for a display monitor, as shown and described.

[56] **References Cited**

**U.S. PATENT DOCUMENTS**

D. 305,755 1/1990 Suyama et al. .... D14/113

D. 313,228 12/1990 Suyama et al. .... D14/113

D. 321,344 11/1991 Steinbugler et al. .... D14/113

**OTHER PUBLICATIONS**

Austin Product Photo "Computer Shopper" Magazine, Apr. 1992, Advertisement on p. 23.

**DESCRIPTION**

FIG. 1 is a top front and right side perspective view of the display monitor embodying my design;

FIG. 2 is a front view thereof;

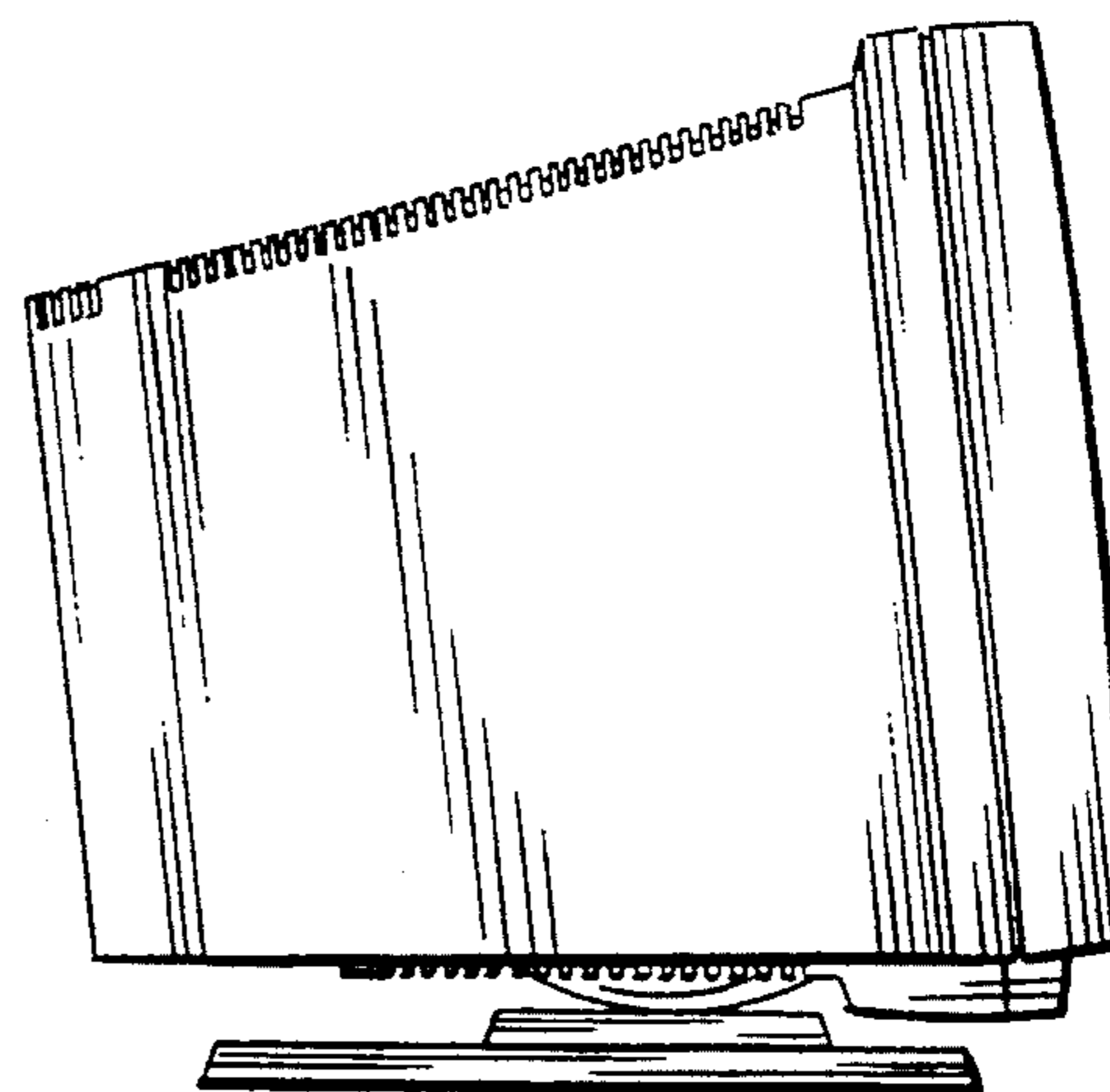
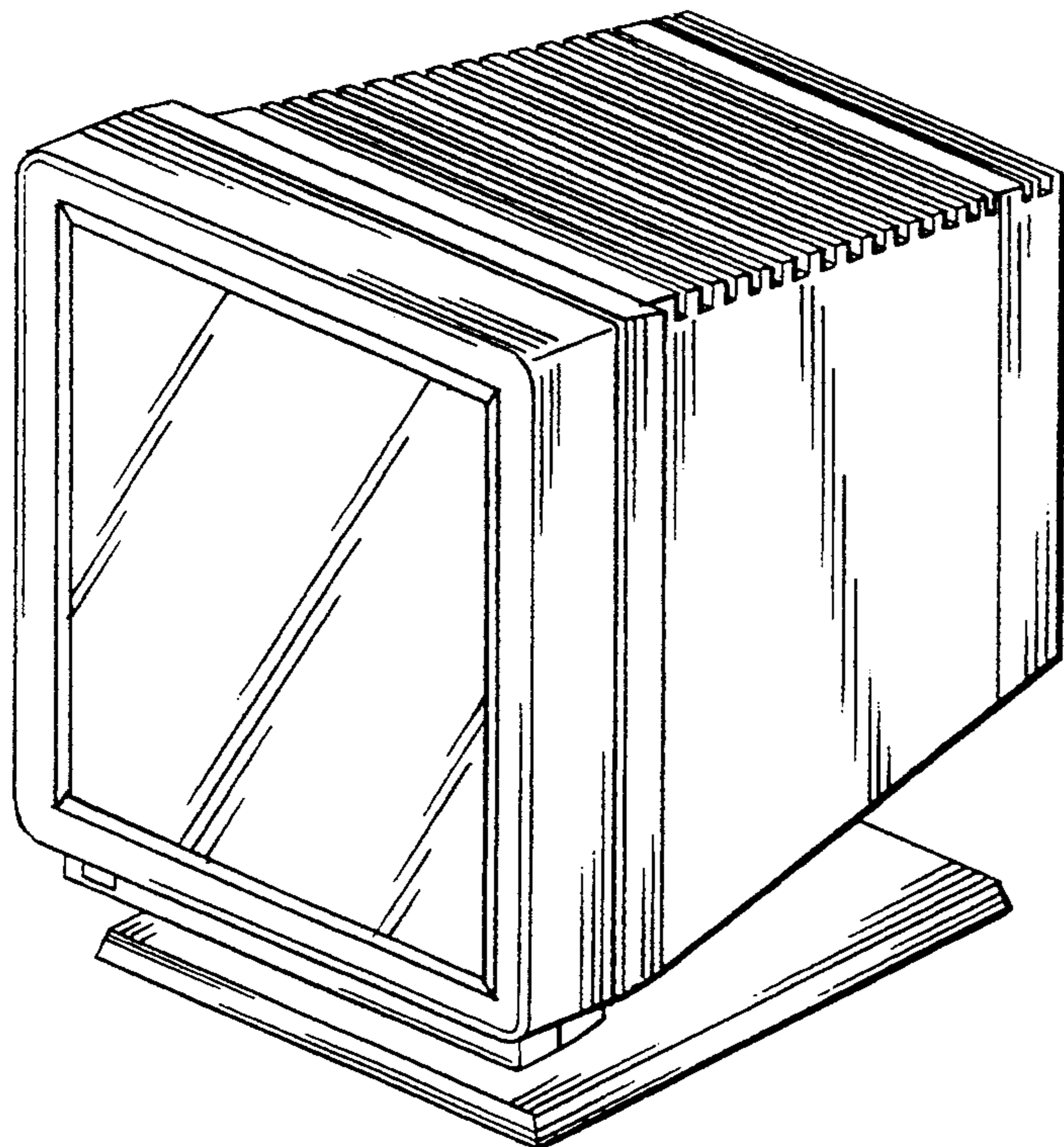
FIG. 3 is a back view thereof;

FIG. 4 is a right view thereof;

FIG. 5 is a left view thereof;

FIG. 6 is a top view thereof; and,

FIG. 7 is a bottom view thereof.



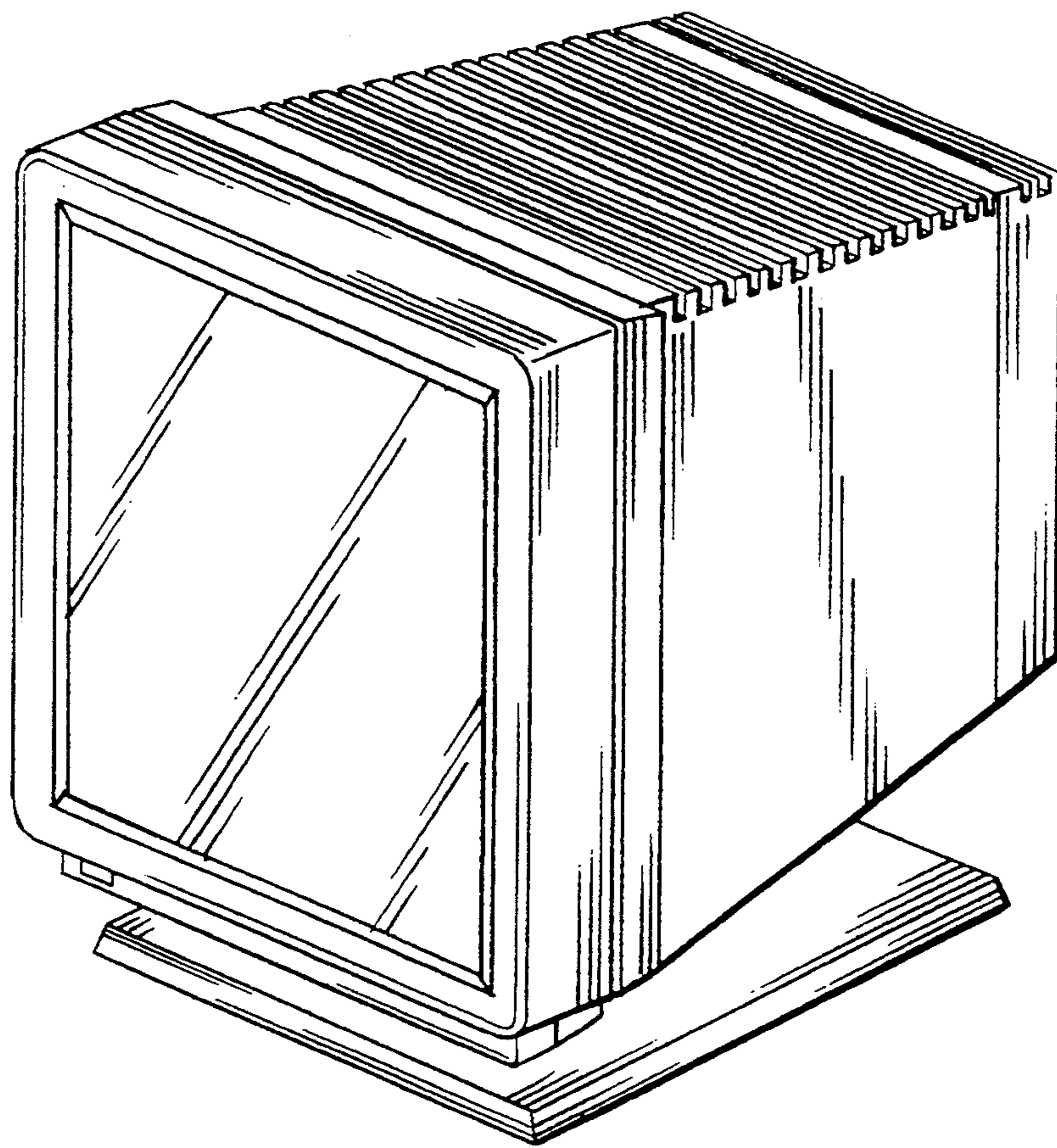


FIG. 1

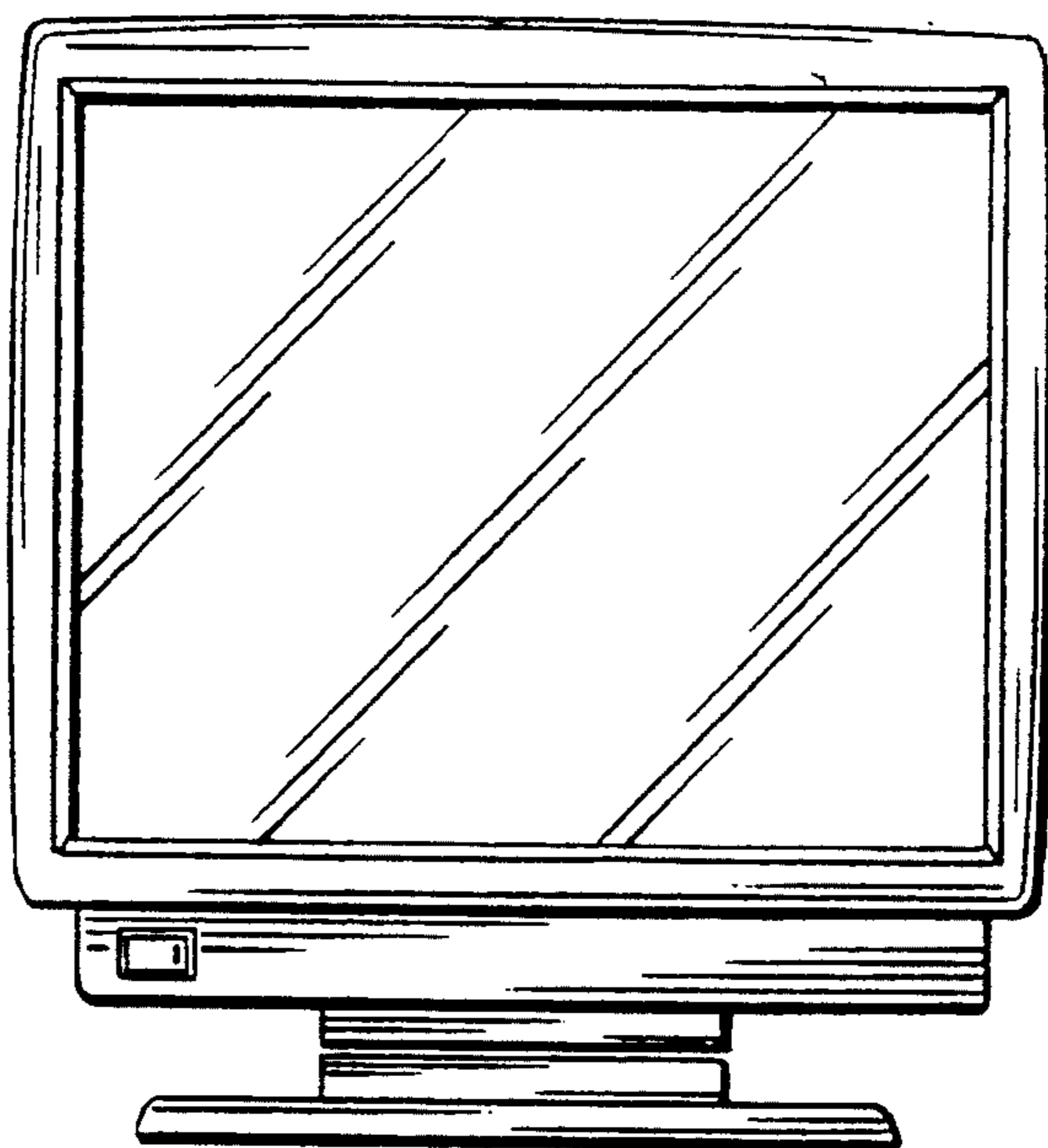


FIG. 2

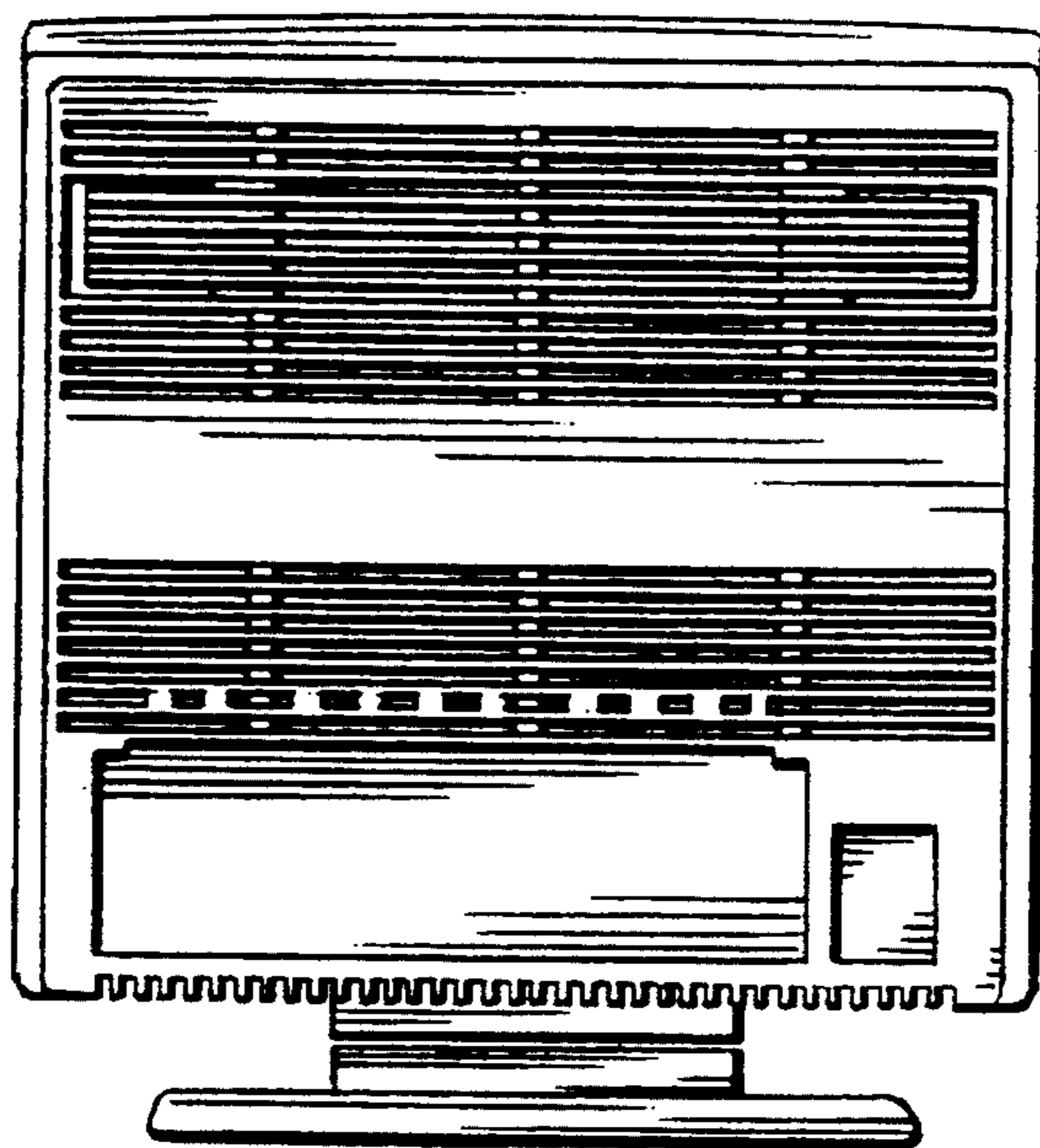


FIG. 3

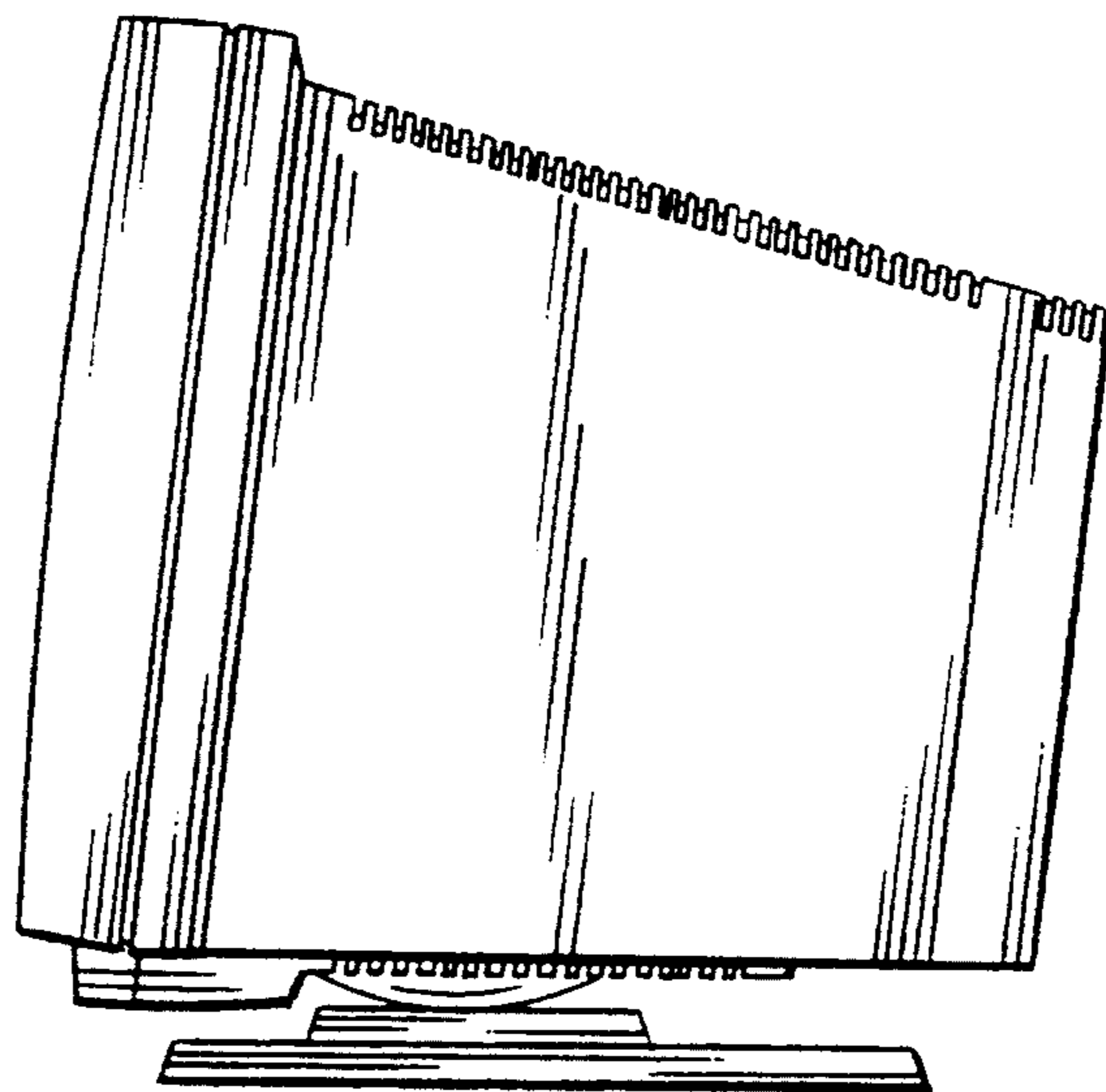


FIG. 4

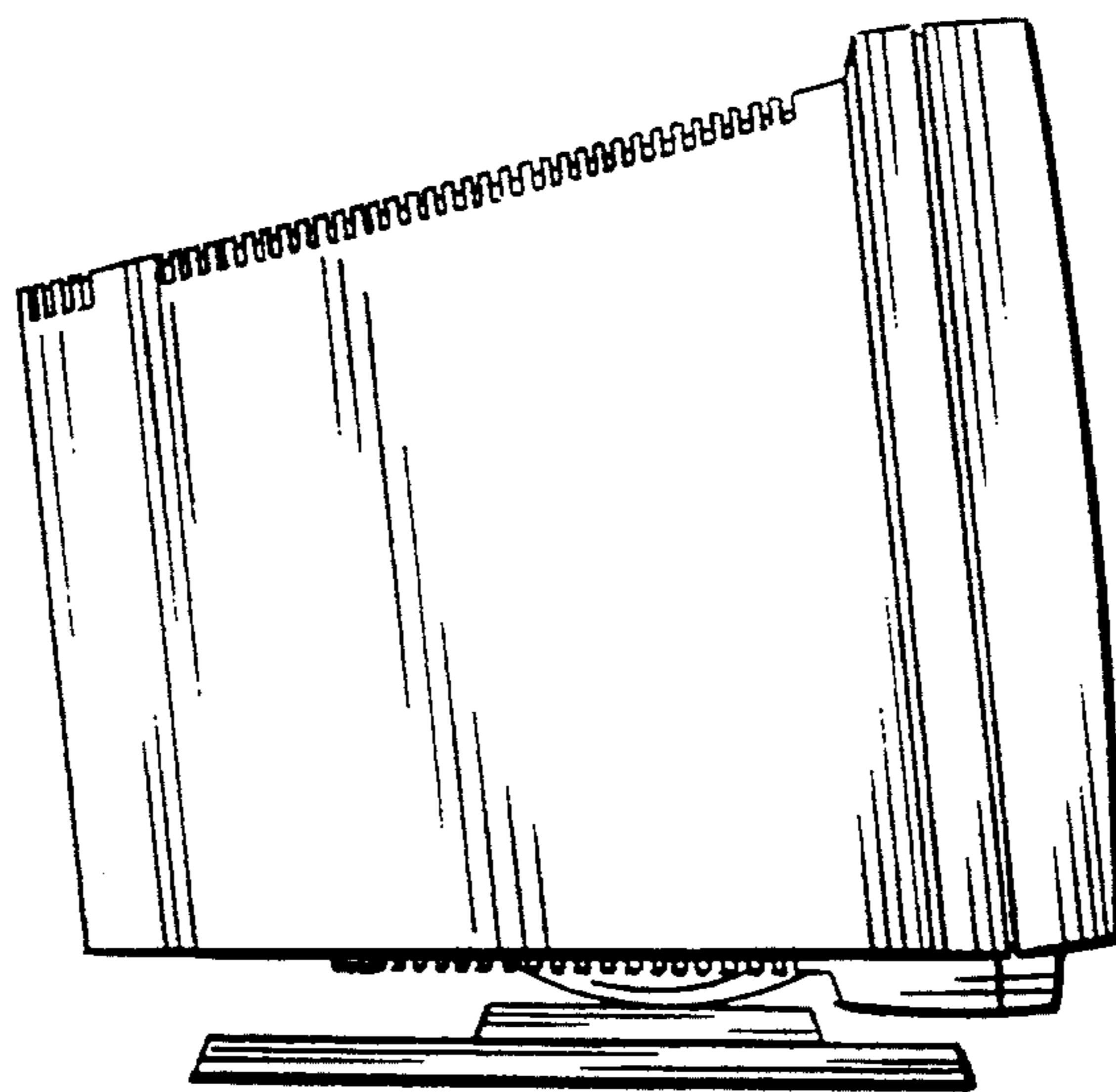


FIG. 5

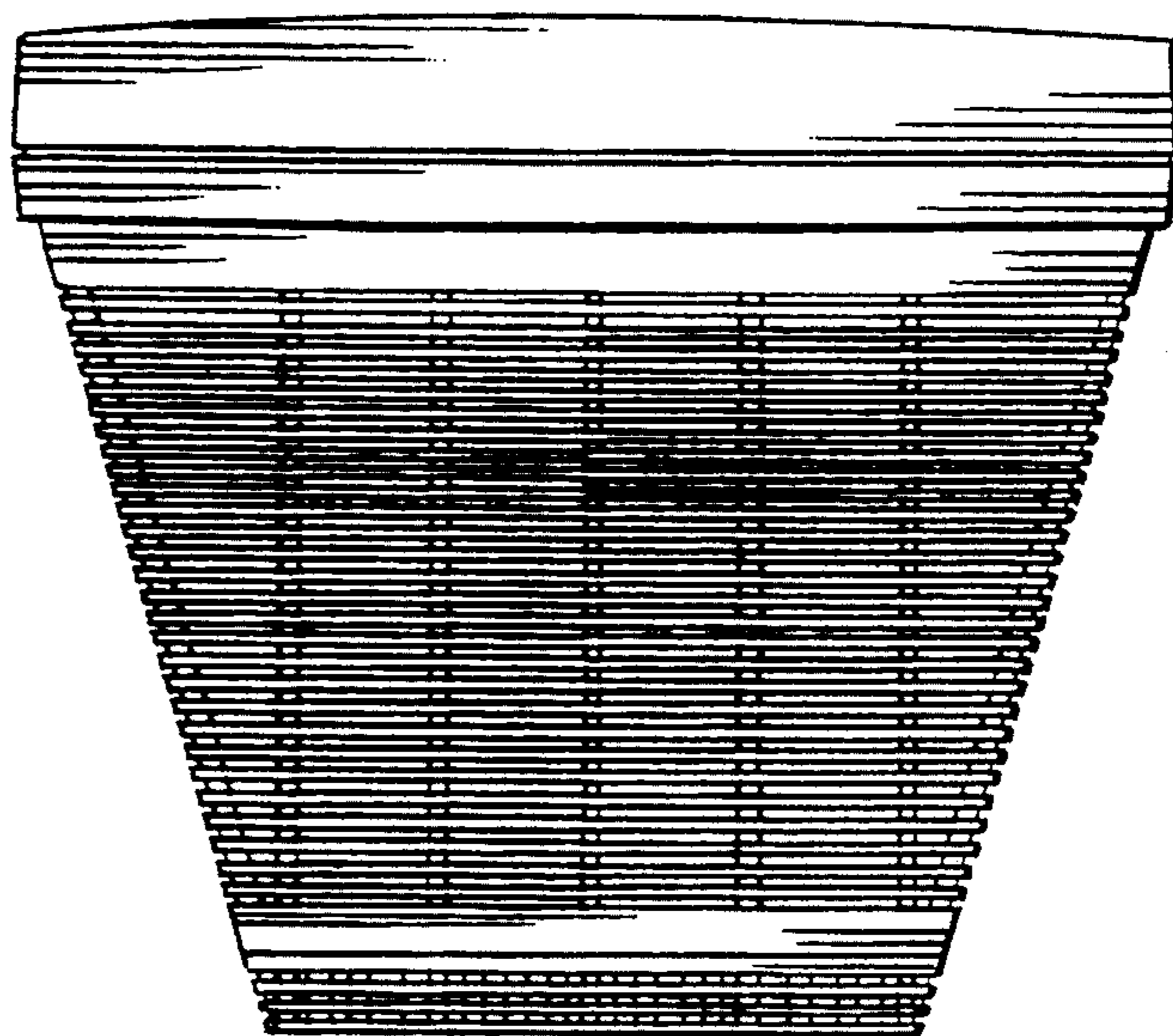


FIG. 6

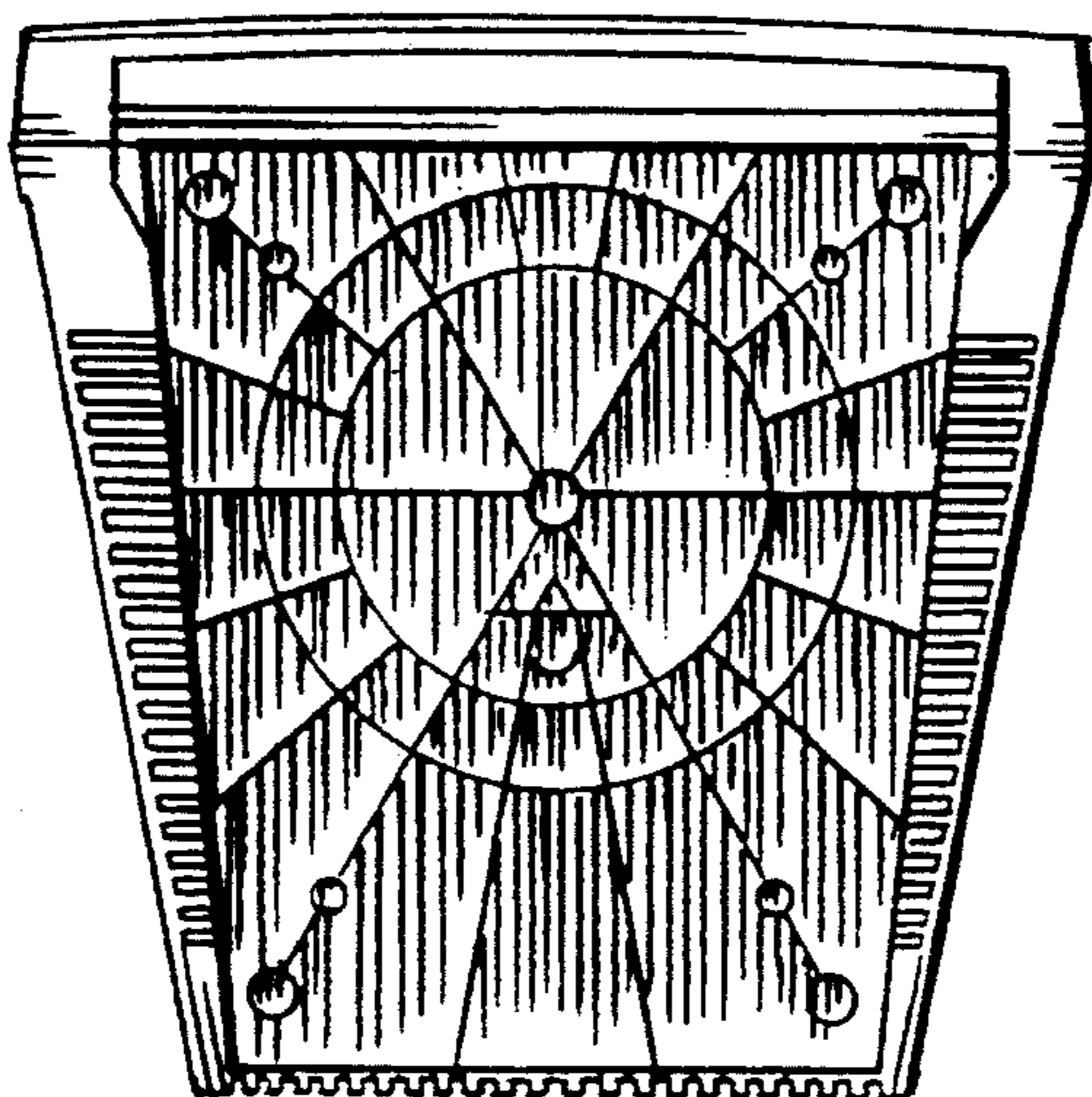


FIG. 7