



US00D350340S

United States Patent [19]

[11] Patent Number: **Des. 350,340**

Inayama et al.

[45] Date of Patent: ***
** Sep. 6, 1994**

[54] DISC DRIVE

[56] References Cited

[75] Inventors: **Hiroyuki Inayama**, Tokyo; **Takao Akiba**, Omiya, both of Japan

U.S. PATENT DOCUMENTS

- D. 270,055 8/1983 Irwin et al. D14/109
- D. 286,879 11/1986 Viskochil D14/109
- D. 287,726 1/1987 Itoh et al. D14/109
- D. 298,628 11/1988 Merino D14/109
- D. 319,049 8/1991 Silverstein et al. D14/109

[73] Assignee: **Teac Corporation**, Tokyo, Japan

[*] Notice: The portion of the term of this patent subsequent to Aug. 3, 2007 has been disclaimed.

Primary Examiner—Wallace R. Burke
Assistant Examiner—Freda S. Nunn
Attorney, Agent, or Firm—Michael N. Meller

[**] Term: **14 Years**

[57] CLAIM

The ornamental design for a disc drive, as shown and described.

[21] Appl. No.: **754,728**

DESCRIPTION

[22] Filed: **Sep. 4, 1991**

FIG. 1 is a top view of a disc drive showing our new design;
FIG. 2 is a front view thereof;
FIG. 3 is a left side view thereof;
FIG. 4 is a right side view thereof;
FIG. 5 is a bottom view thereof;
FIG. 6 is a rear view thereof; and,
FIG. 7 is a perspective view thereof on a slightly reduced scale.

[30] Foreign Application Priority Data

- Mar. 5, 1991 [JP] Japan 3-5917
- [52] U.S. Cl. **D14/109**
- [58] Field of Search 360/99.12;
361/380-385, 390-395; D14/100, 102, 108,
109; D13/162, 184, 199

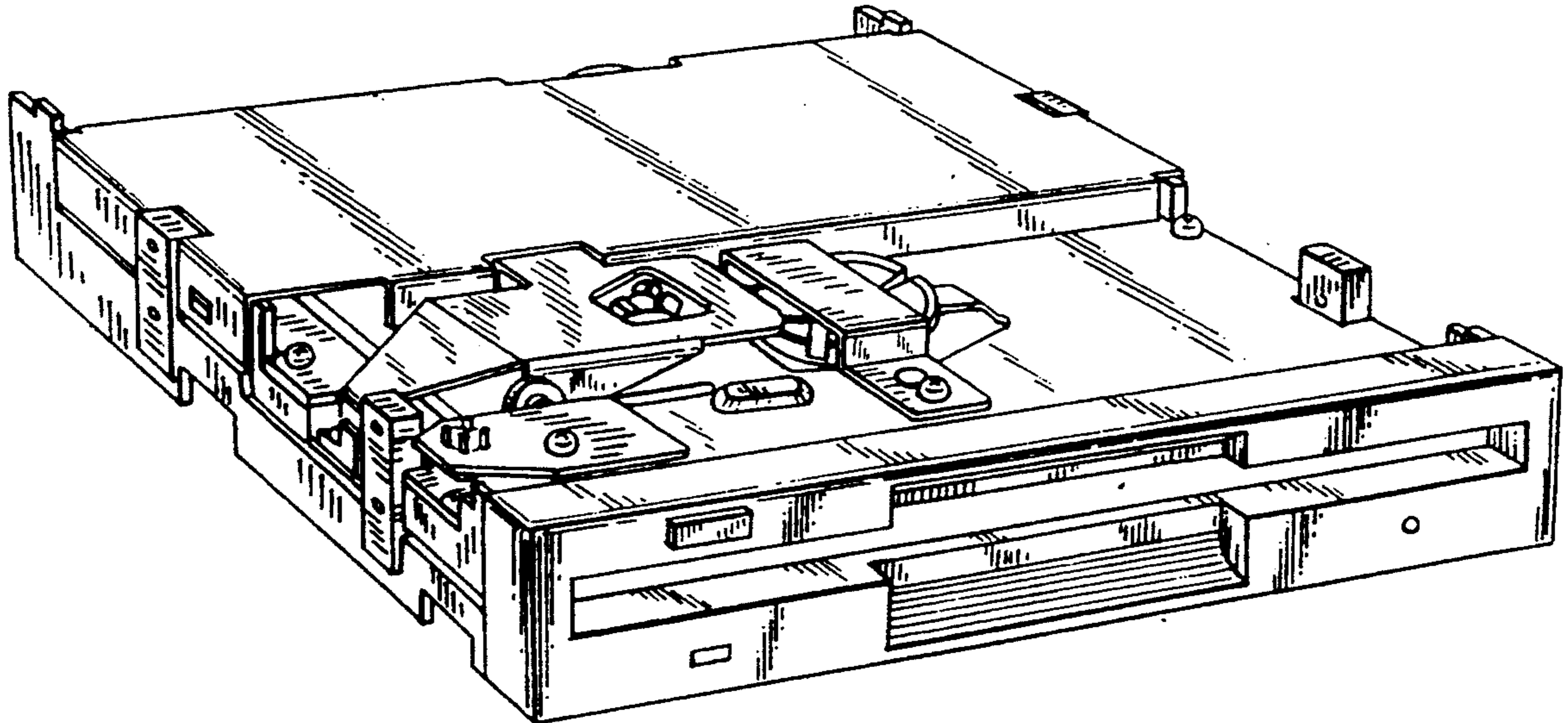


FIG. 1

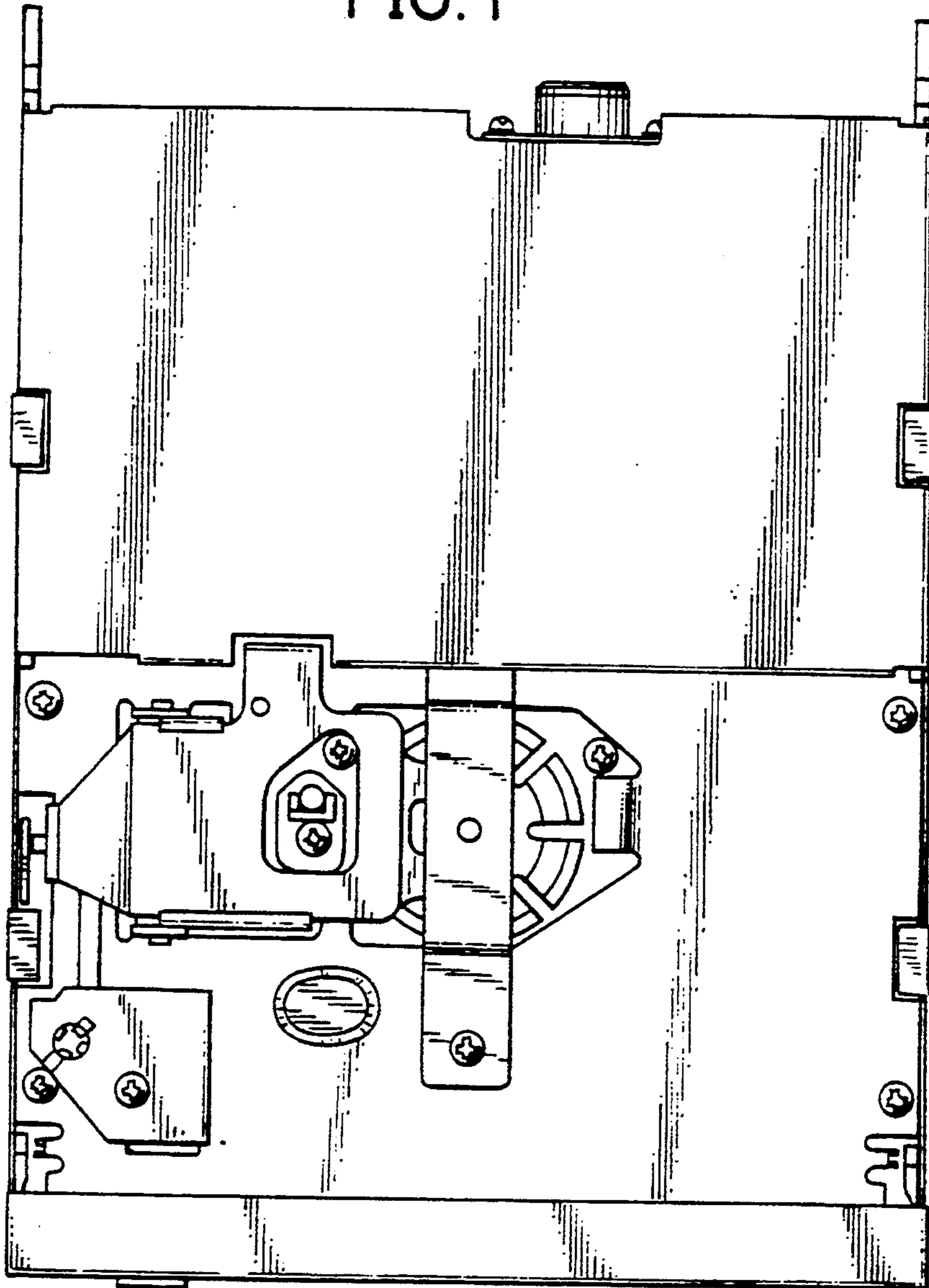


FIG. 2

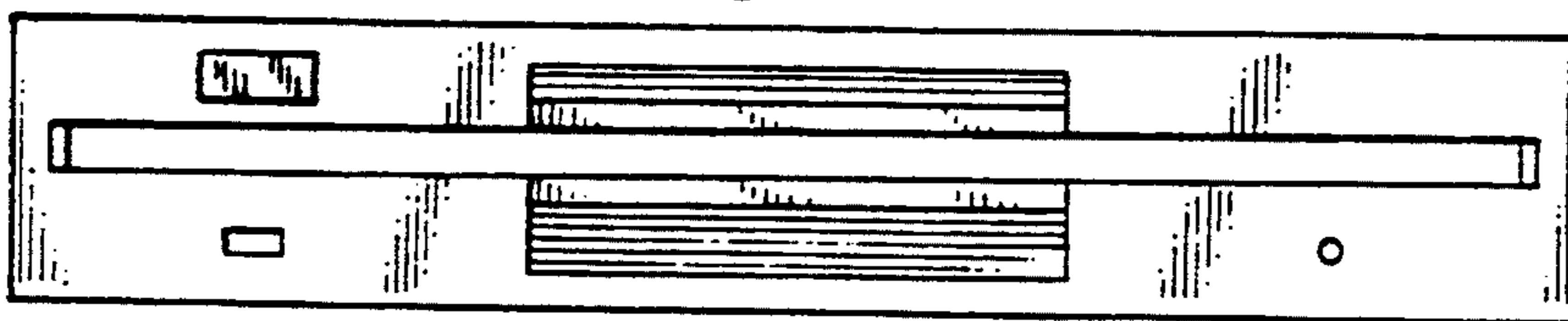


FIG. 3

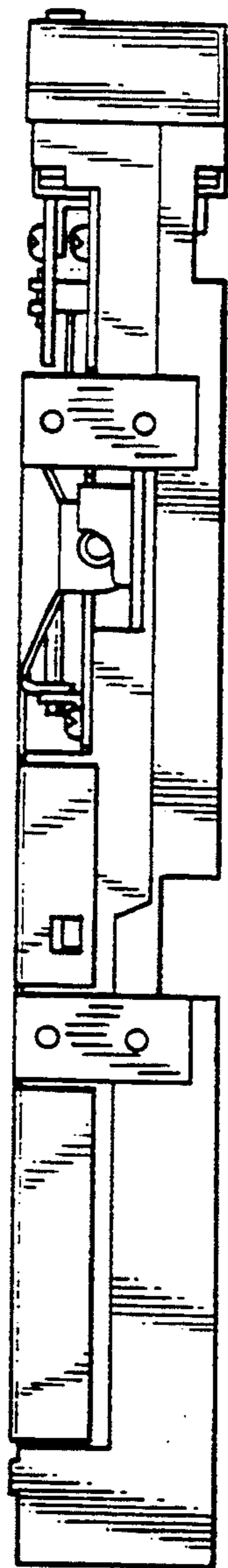


FIG. 4

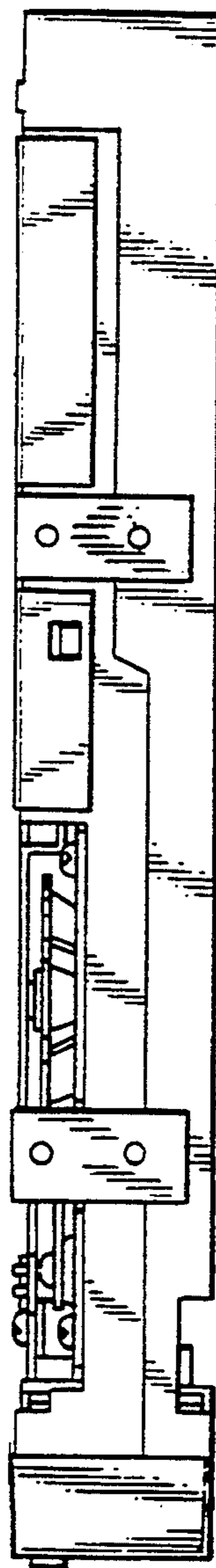


FIG. 5

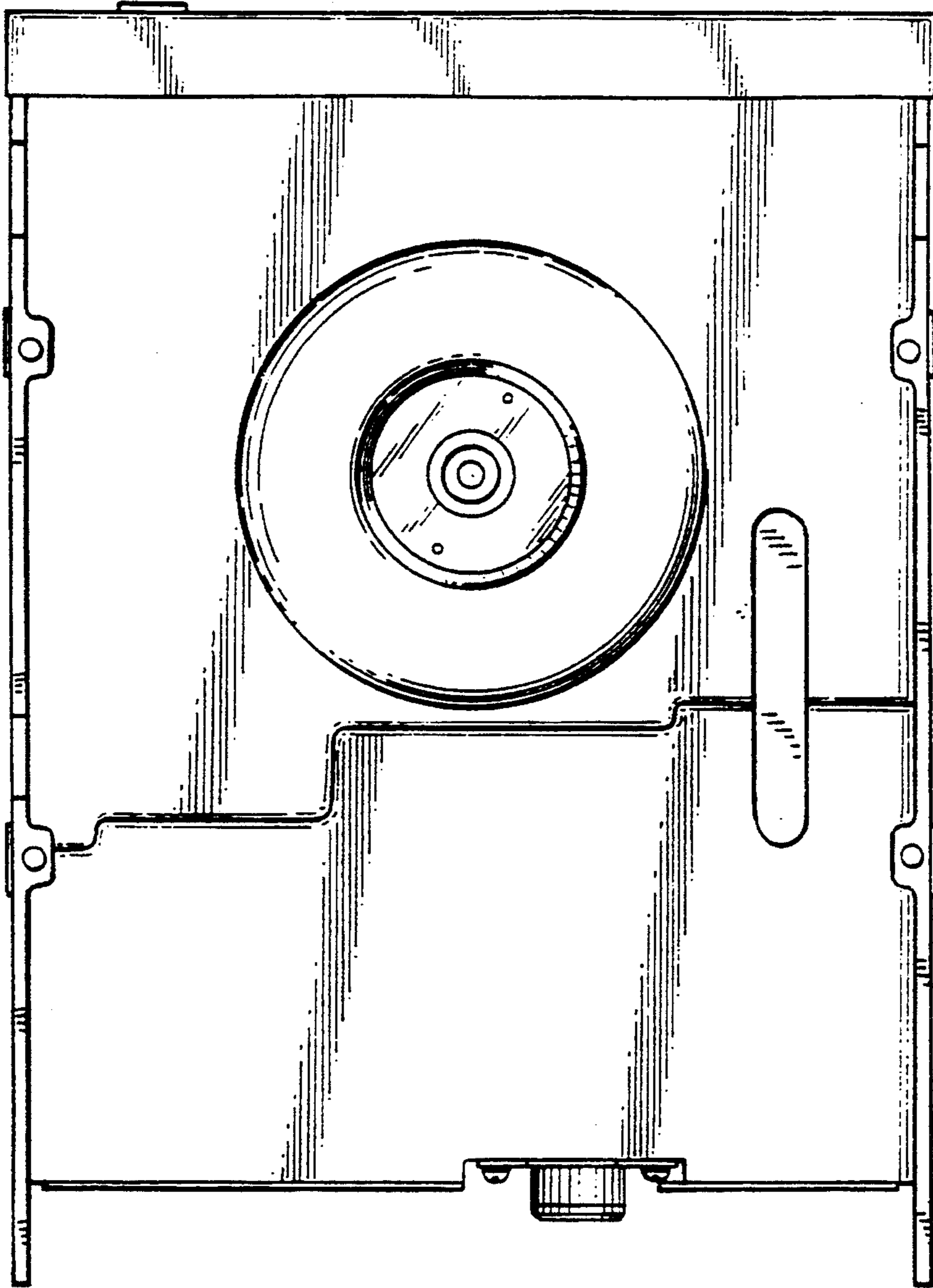


FIG. 6

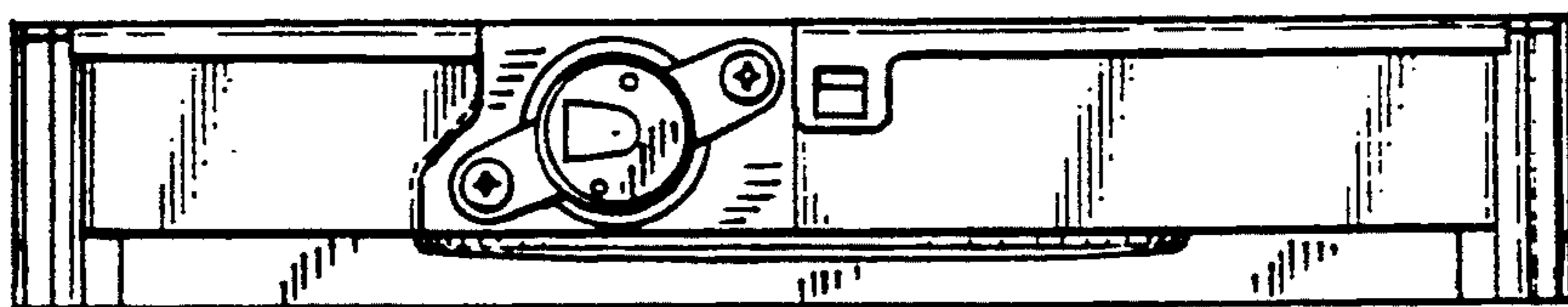


FIG. 7

