



US00D350339S

United States Patent [19]

[11] Patent Number: **Des. 350,339**

Carroll et al.

[45] Date of Patent: **** Sep. 6, 1994**

[54] **CLIENT SERVER UNIT FOR USE WITH A COMPUTER NETWORK**

- D. 314,190 1/1991 Aoyama et al. D14/100
- D. 337,758 7/1993 Barbera et al. D14/102
- D. 337,995 8/1993 Barbera et al. D14/100
- D. 341,827 11/1993 Lai et al. D14/107

[75] Inventors: **Thomas D. Carroll**, San Jose; **Fred J. Berkowitz**, Los Gatos; **Eric M. Monsef**, San Jose; **David R. Hargis**, Cupertino, all of Calif.

Primary Examiner—Wallace R. Burke
Assistant Examiner—Freda S. Nunn
Attorney, Agent, or Firm—Elizabeth F. Enayati; Albert C. Smith

[73] Assignee: **Hal Computer Systems, Inc.**, Campbell, Calif.

[57] CLAIM

[**] Term: **14 Years**

The ornamental design for a client server unit for use with a computer network, as shown and described.

[21] Appl. No.: **7,628**

DESCRIPTION

[22] Filed: **Apr. 28, 1993**

[52] U.S. Cl. **D14/107**

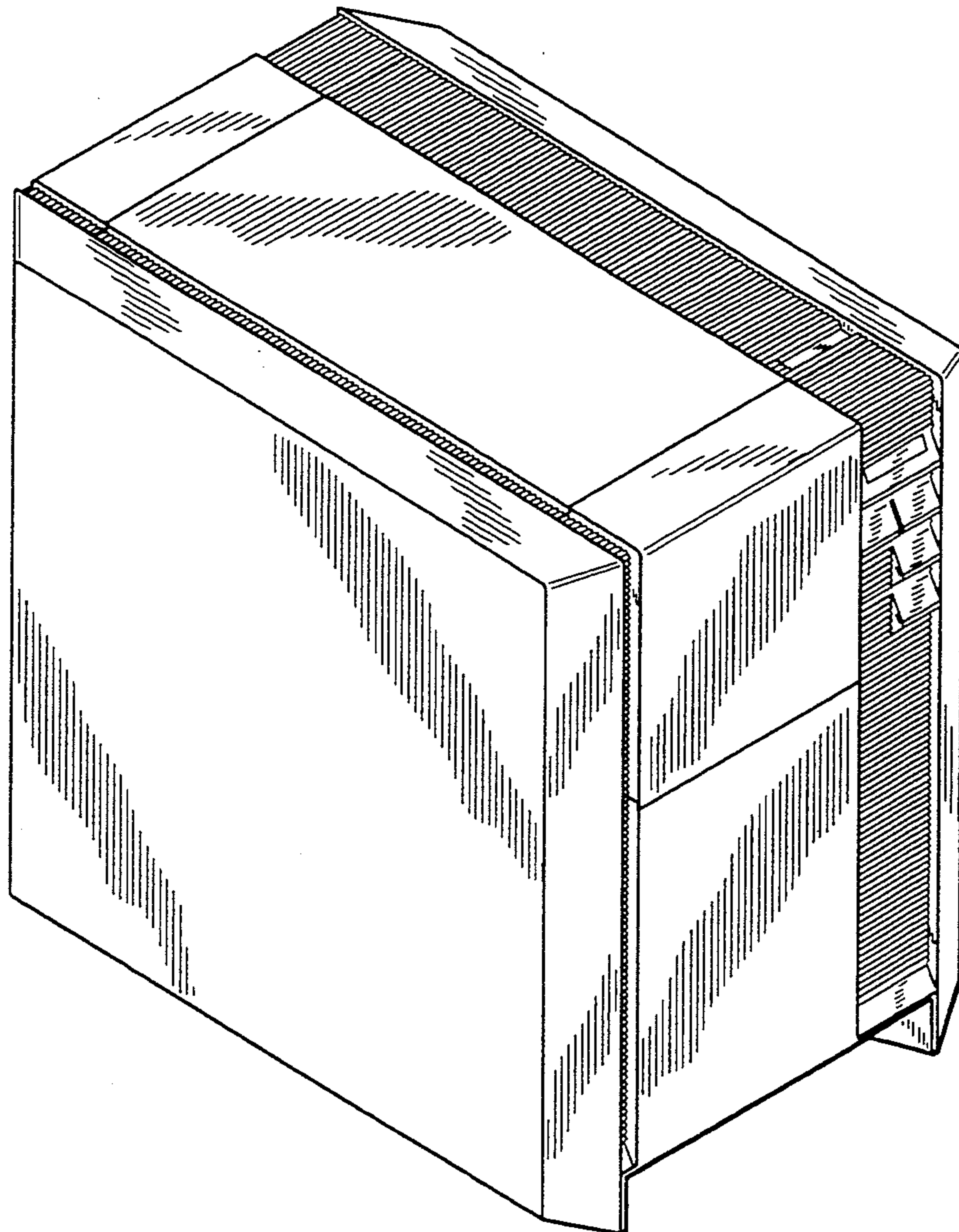
[58] Field of Search 312/208.1, 223.2, 223.3, 312/194; 360/99.12; 361/622, 724, 727; D14/100, 102, 107-109; D13/162, 184, 199

FIG. 1 is a front perspective view of the client server unit for use with a computer network showing our new design;
FIG. 2 is a front elevational view thereof on an enlarged scale;
FIG. 3 is a side elevational view thereof;
FIG. 4 is a rear elevational view thereof;
FIG. 5 is a top plan view thereof; and,
FIG. 6 is a bottom plan view thereof.

[56] References Cited

U.S. PATENT DOCUMENTS

- D. 314,189 1/1991 Horie D14/100



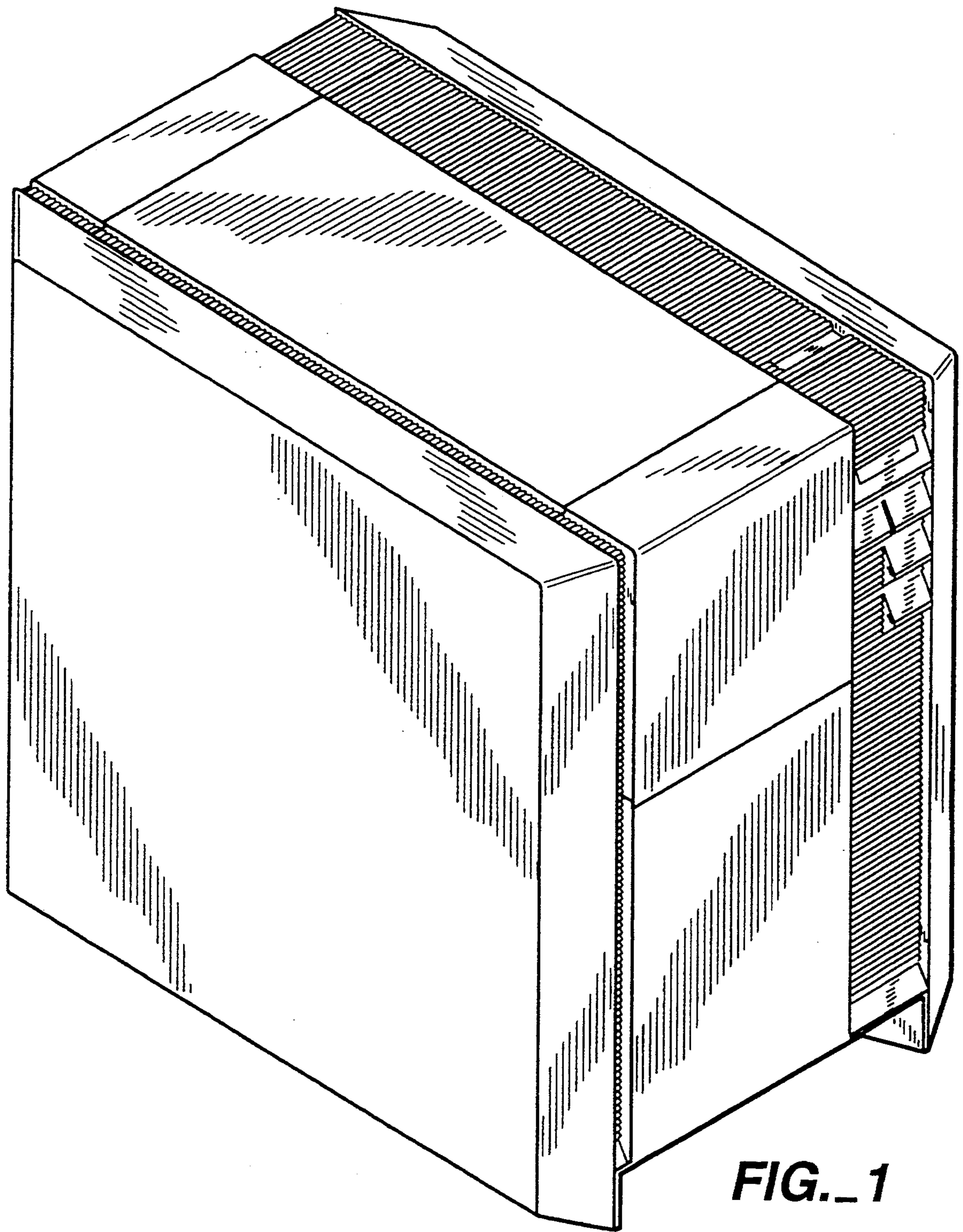


FIG. 1

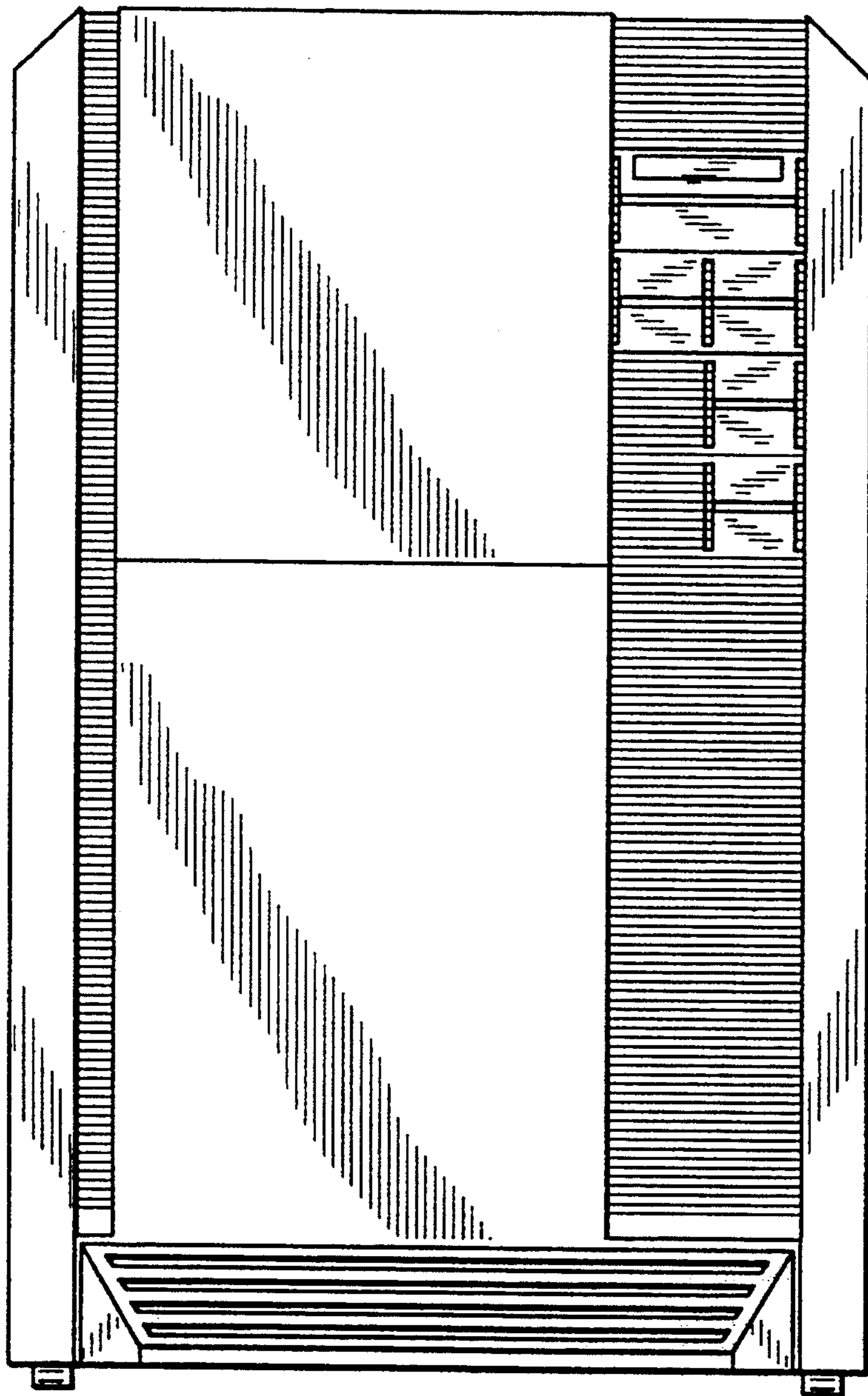


FIG. 2

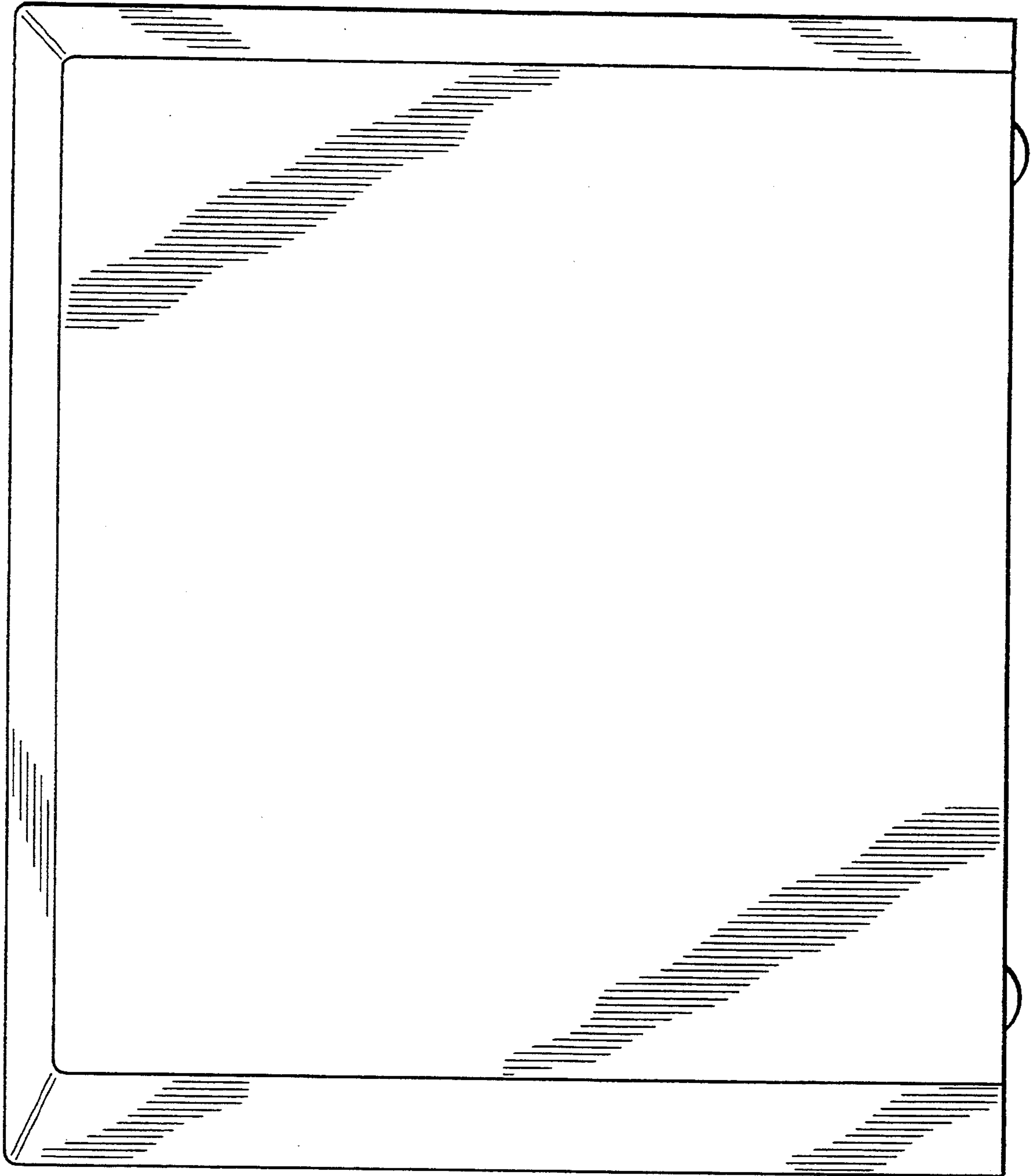


FIG.-3

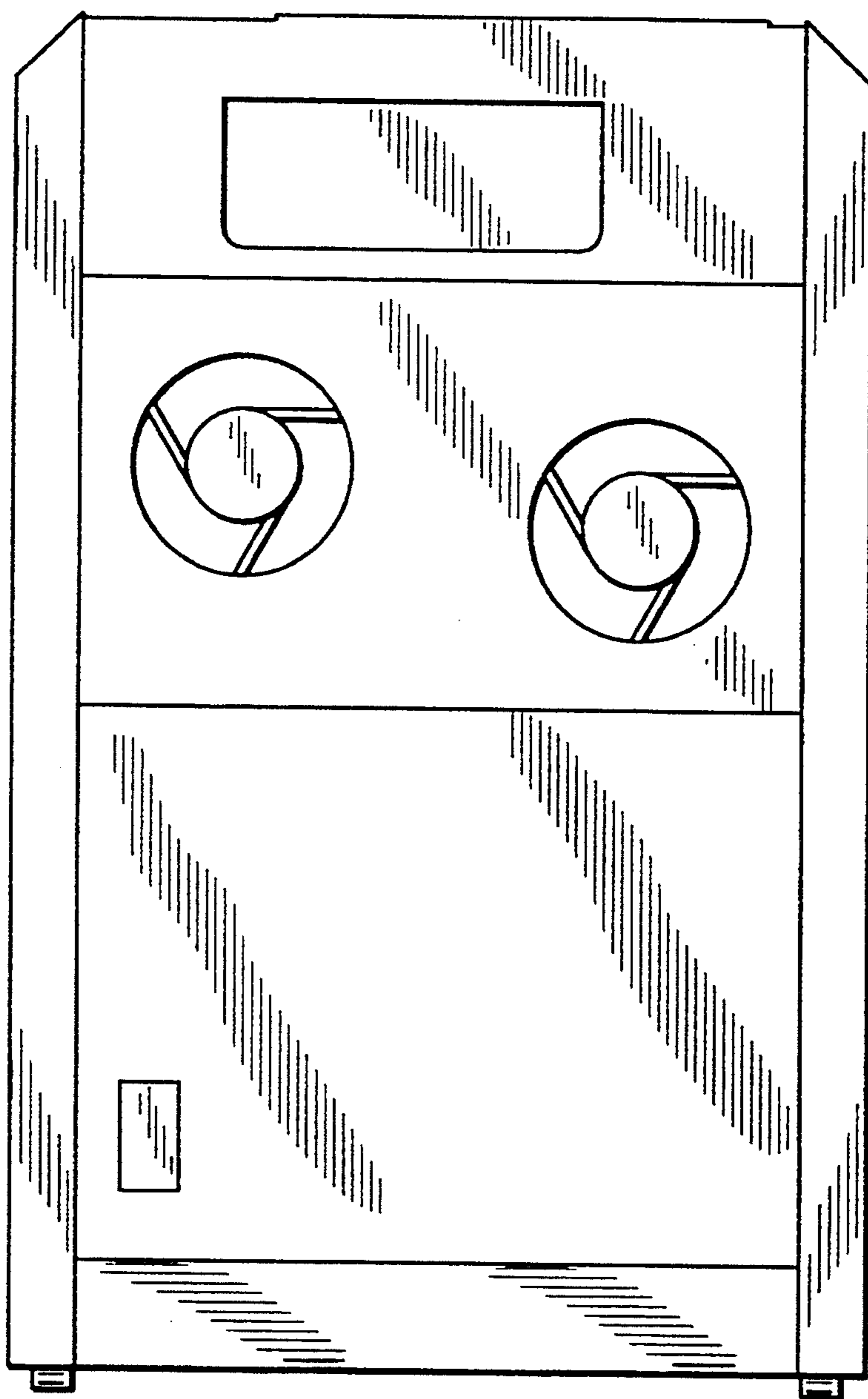


FIG. 4

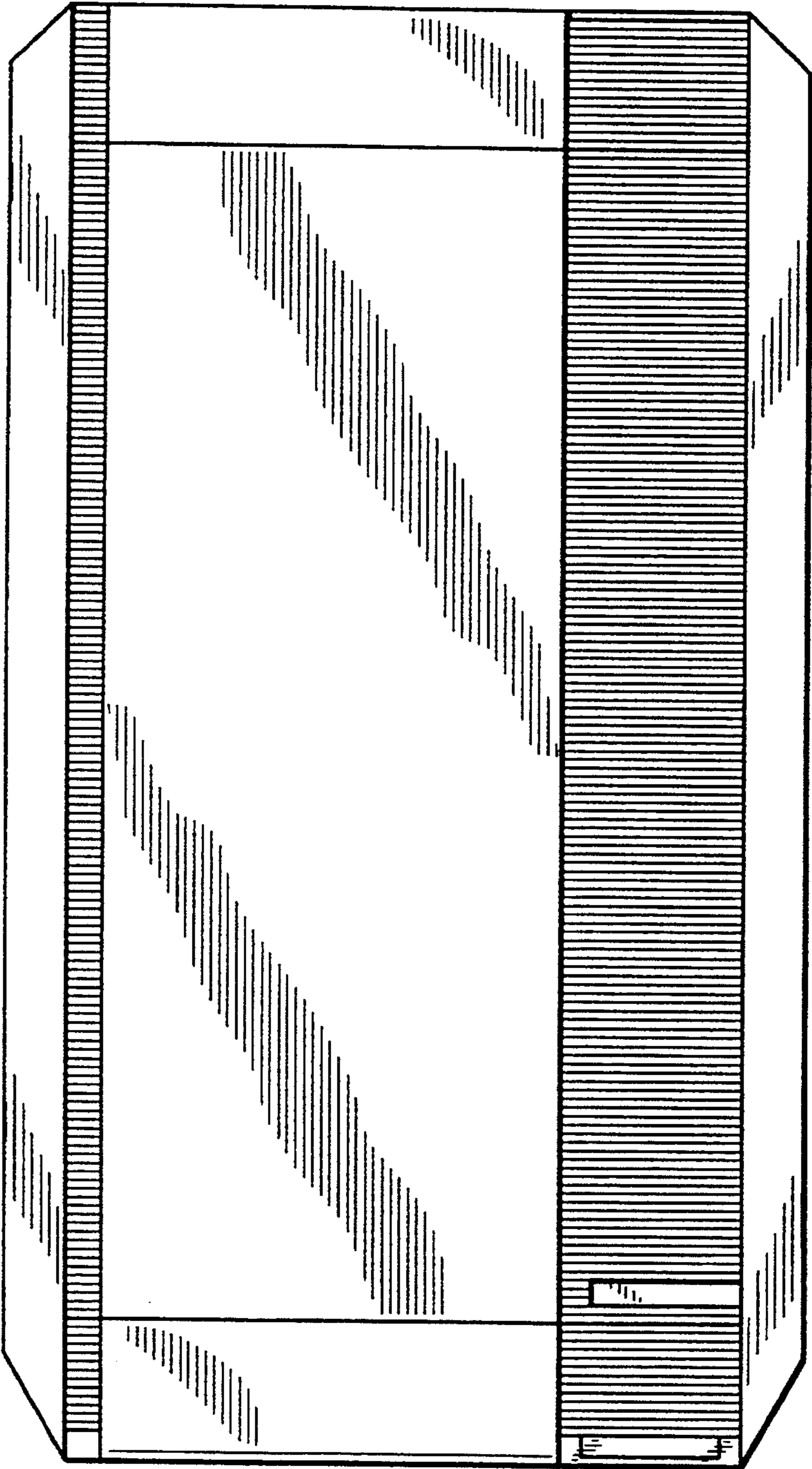


FIG. 5

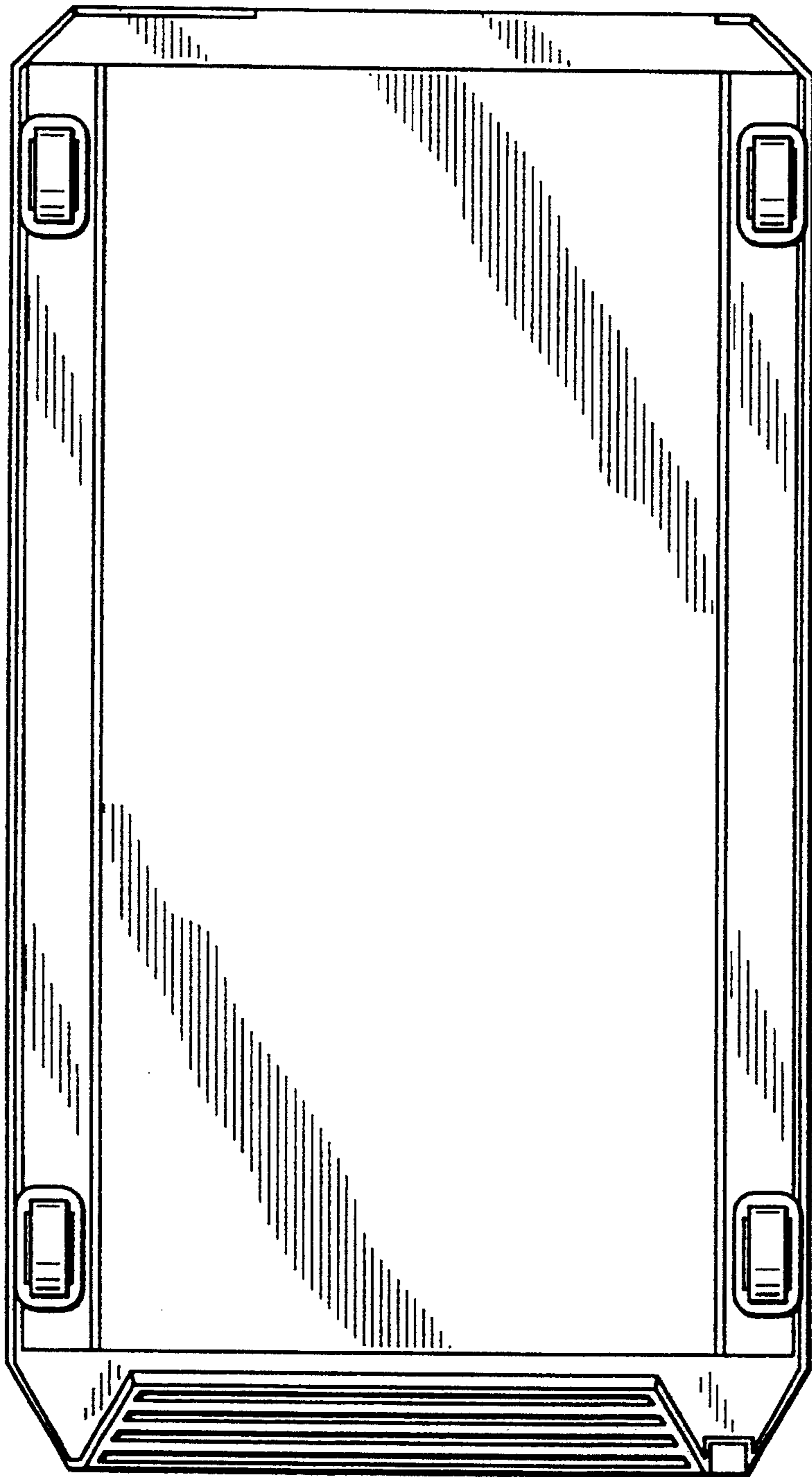


FIG. 6