



US00D350338S

United States Patent [19]

[11] Patent Number: **Des. 350,338**

Meschter et al.

[45] Date of Patent: **** Sep. 6, 1994**

[54] DOCKING STATION FOR RECEIVING A PORTABLE COMPUTER

FOREIGN PATENT DOCUMENTS

[75] Inventors: **Jay Meschter**, Menlo Park; **Tim Parsey**; **David W. Laituri**, both of Palo Alto; **Lawrence Lam**, Cupertino, all of Calif.

643544 1/1985 Japan D14/D14 107

OTHER PUBLICATIONS

[73] Assignee: **Apple Computer, Inc.**, Cupertino, Calif.

Serial/Parallel Aclapter, IBM Oct. 8, 1986.
Chinese Gazette, May 23, 1990 No. CN3005641S (Expansion Unit).

[**] Term: **14 Years**

Primary Examiner—Wallace R. Burke
Assistant Examiner—Freda S. Nunn
Attorney, Agent, or Firm—Jeffrey J. Brooks

[21] Appl. No.: **413**

[57] CLAIM

[22] Filed: **Oct. 14, 1992**

The ornamental design for a docking station for receiving a portable computer, as shown and described.

[52] U.S. Cl. **D14/107**

DESCRIPTION

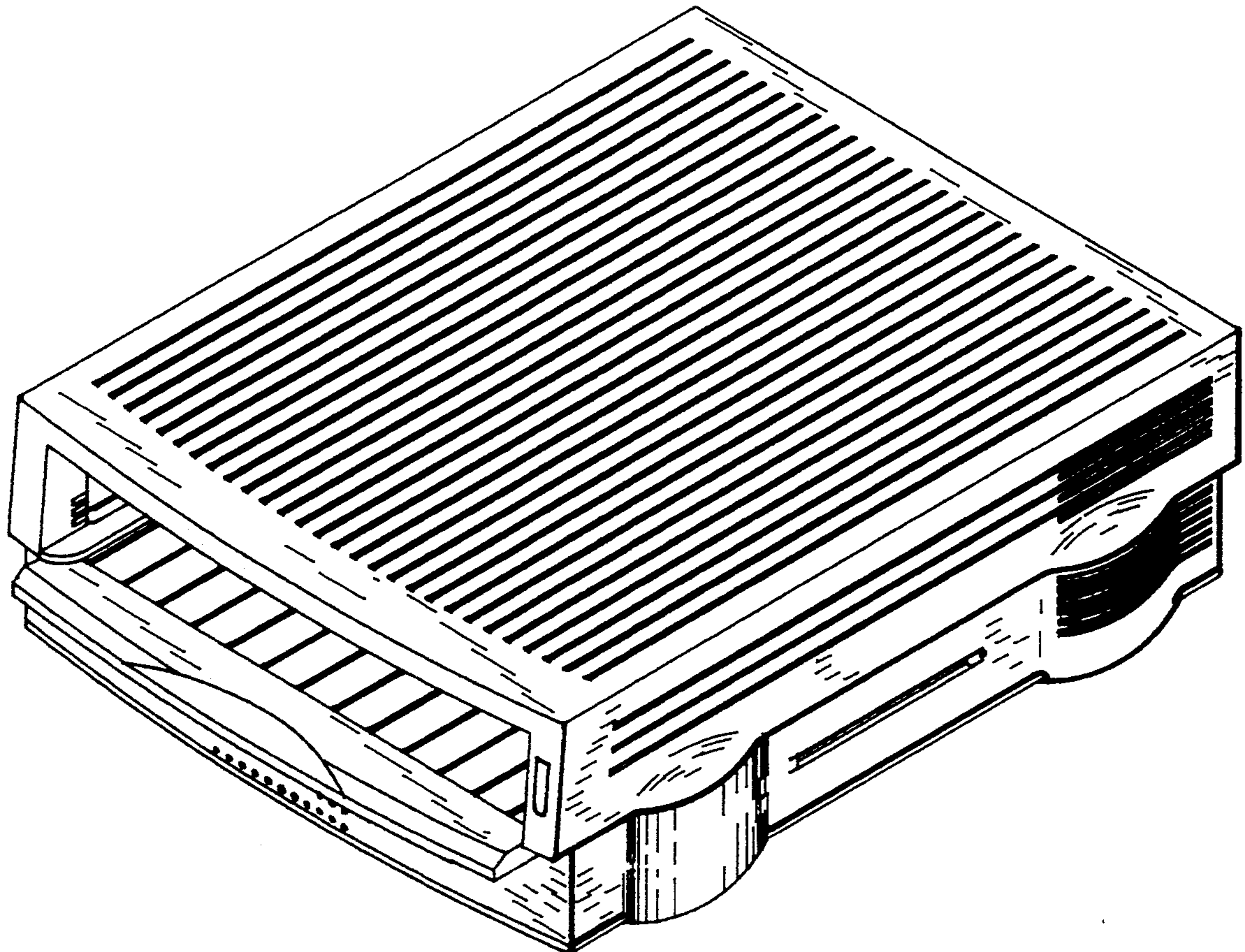
[58] Field of Search 364/708, 709.04;
361/390-395; D14/100, 105, 107, 114, 109;
D13/162, 184, 199

FIG. 1 is a reduced top front and right side perspective view of a docking station for receiving a portable computer showing our new design;
FIG. 2 is a front elevational view thereof;
FIG. 3 is a left side elevational view thereof with the lock shown in its open position;
FIG. 4 is a left side elevational view thereof with the lock shown in its closed position;
FIG. 5 is a right side elevational view thereof;
FIG. 6 is a rear elevational view thereof;
FIG. 7 is a bottom plan view thereof; and,
FIG. 8 is a top plan view thereof.

[56] References Cited

U.S. PATENT DOCUMENTS

D. 310,998	10/1990	Lee et al.	D14/100
D. 319,049	8/1991	Silverstein et al.	D14/109
D. 320,006	9/1991	Ivester	D14/100
D. 328,734	8/1992	Riley et al.	D14/100
5,058,045	10/1991	Ma	D14/107
5,126,954	6/1992	Morita	D14/107 X



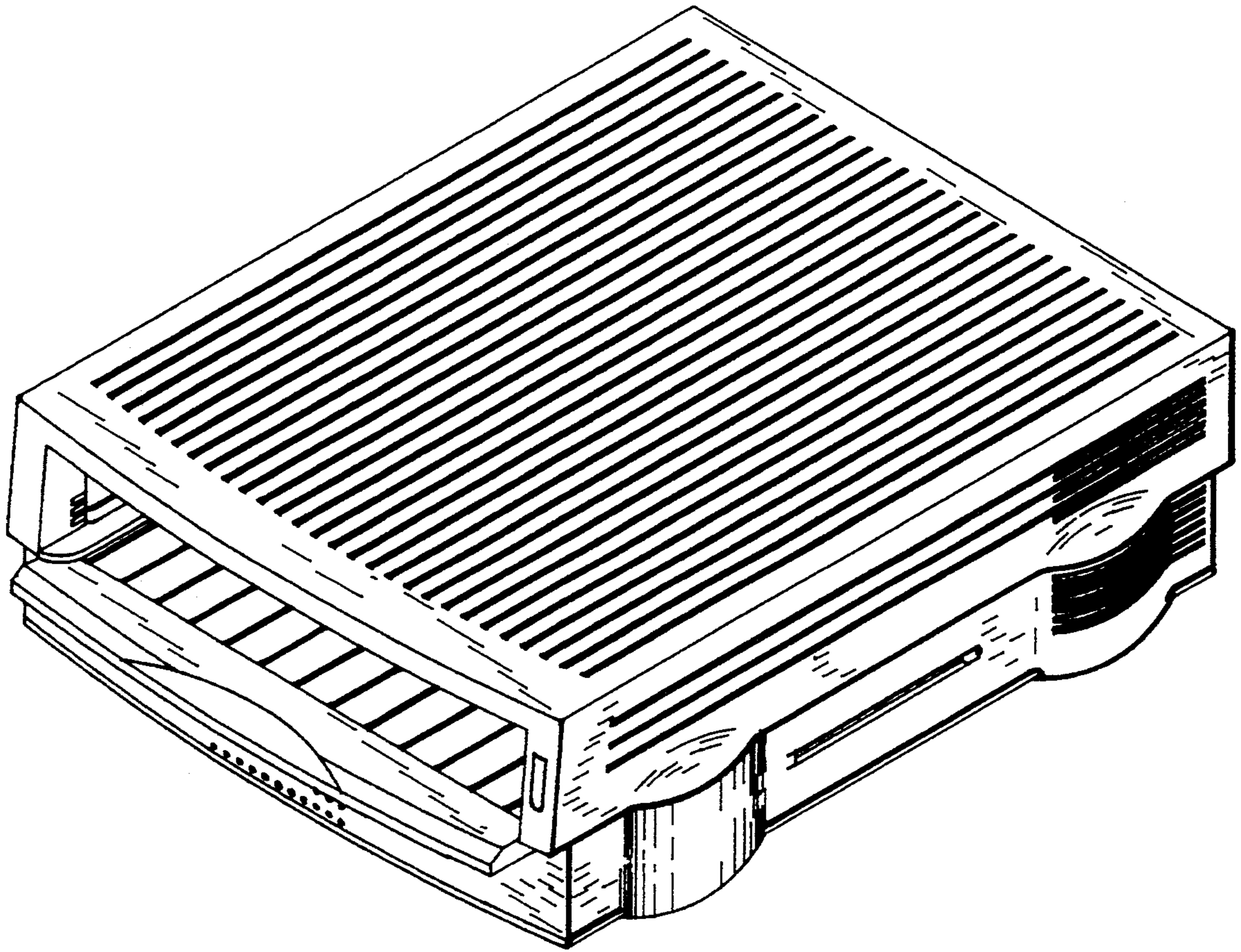


FIG. 1

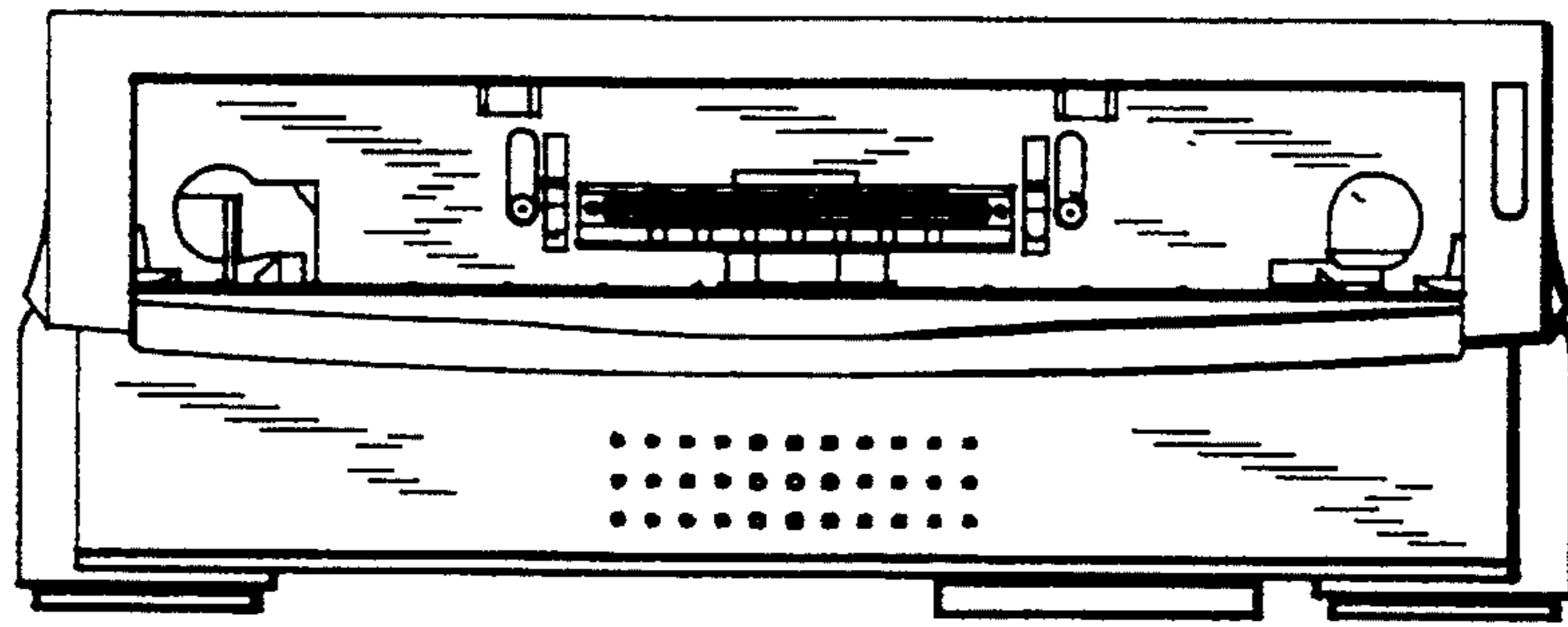


FIG. 2

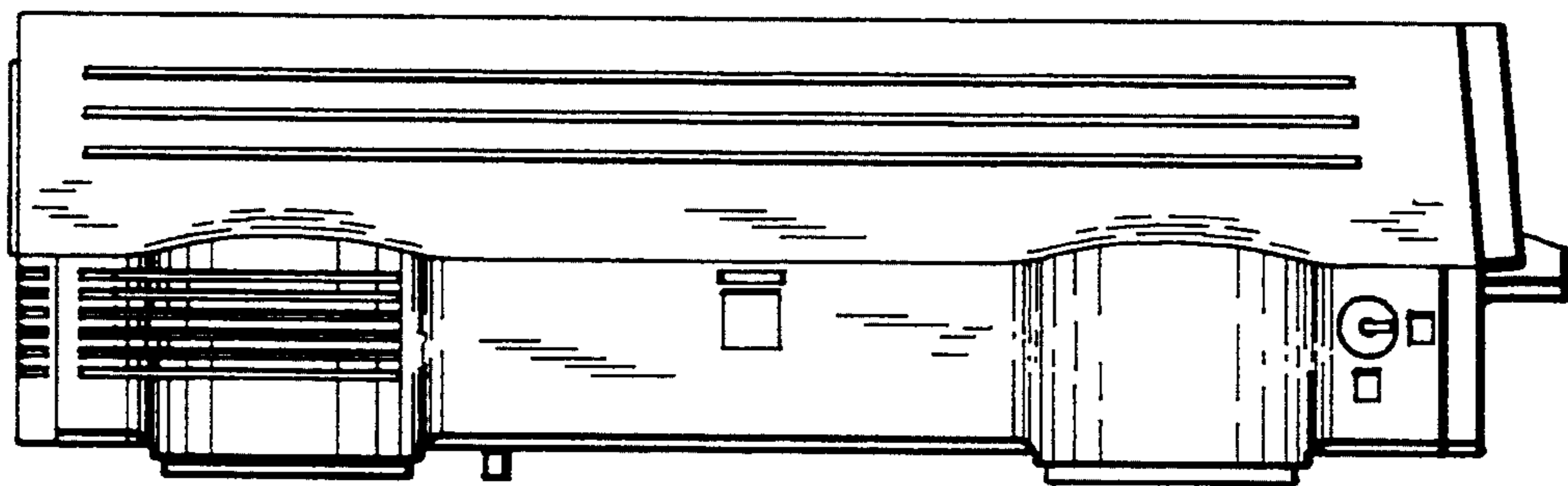


FIG. 3

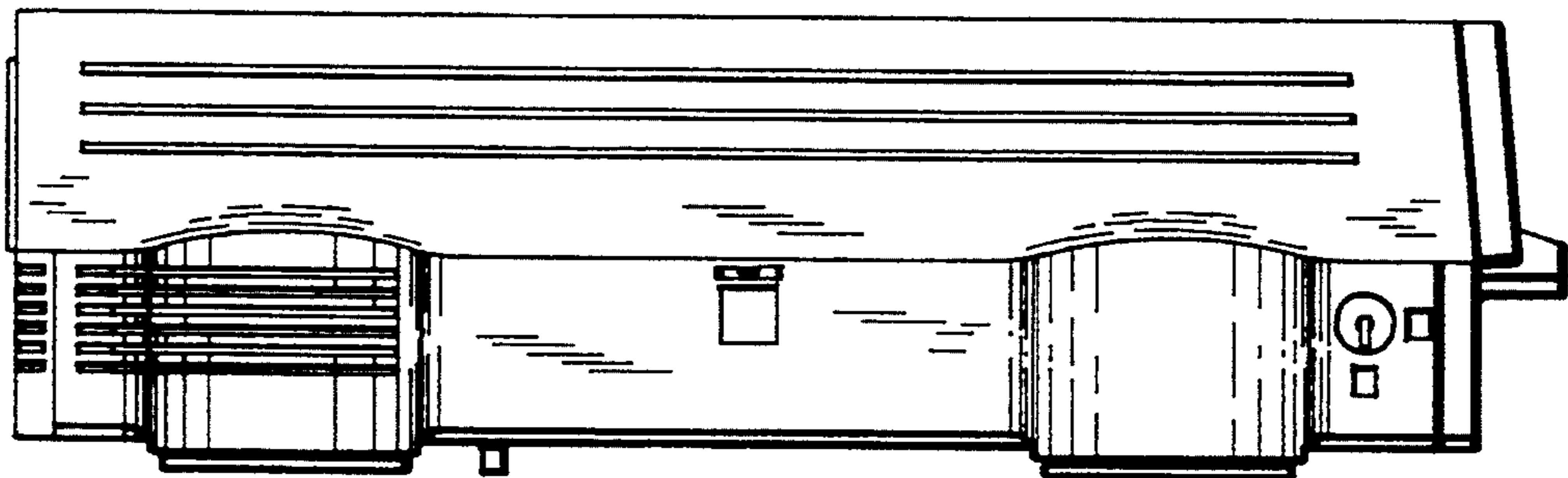


FIG. 4

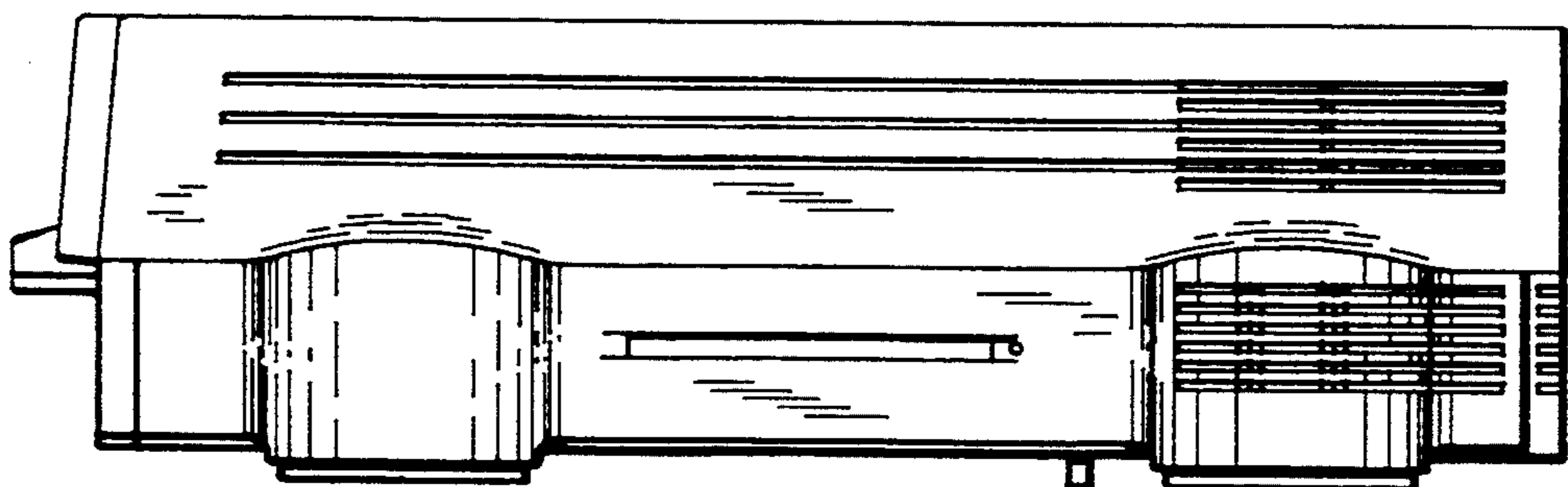


FIG. 5

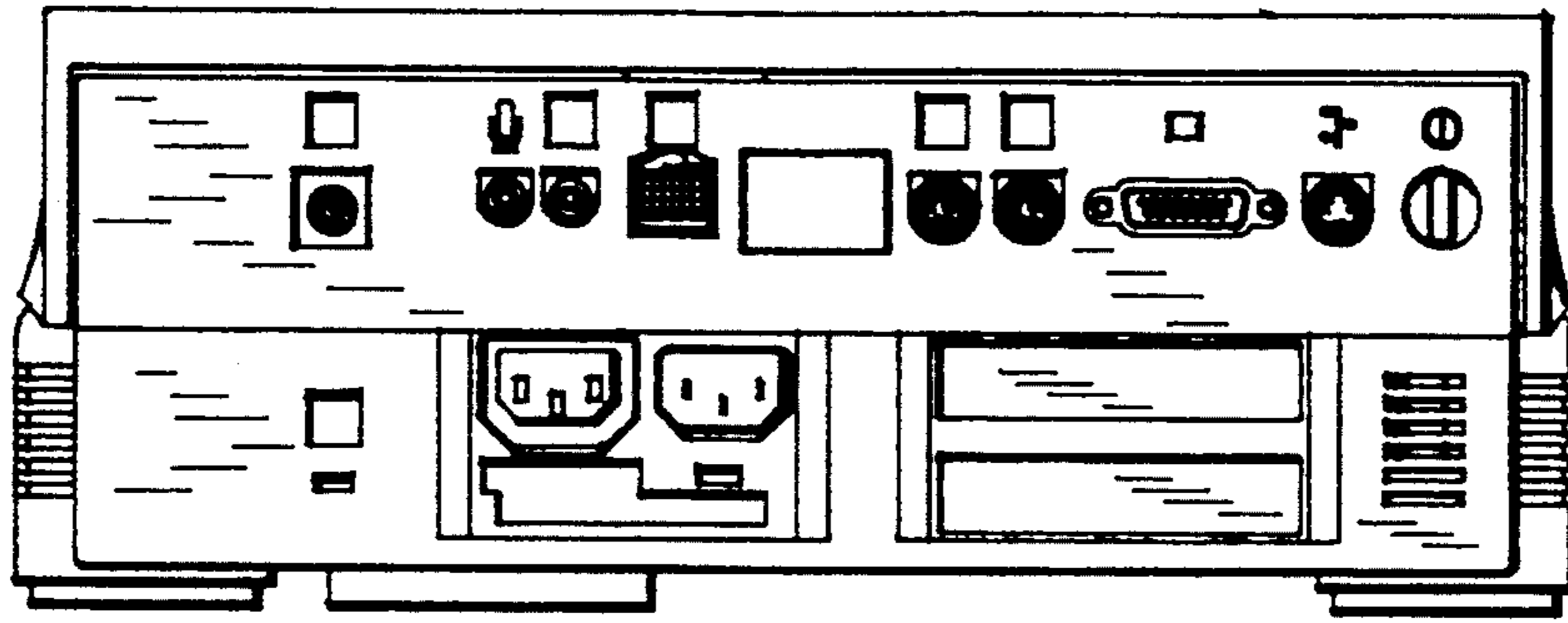


FIG. 6

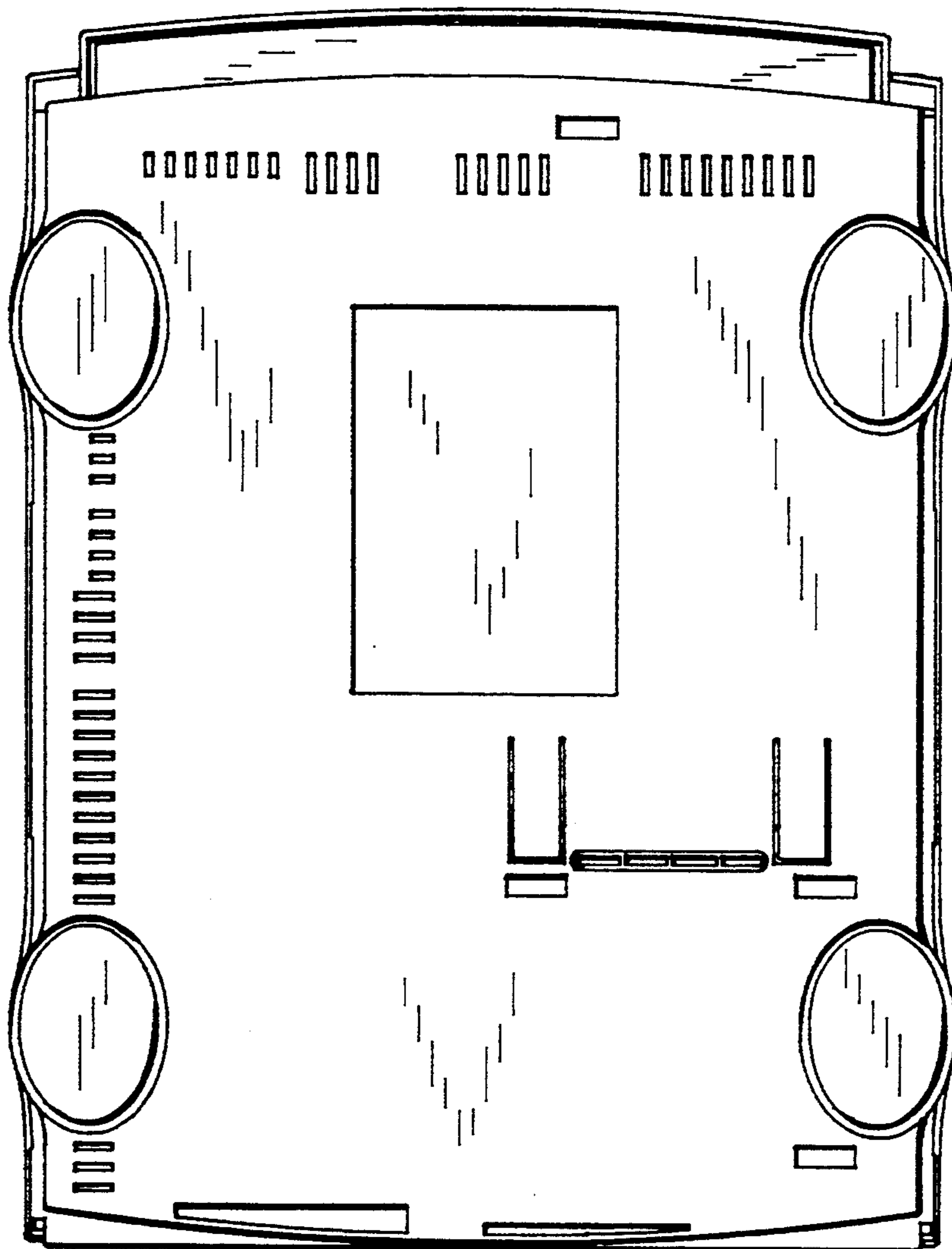


FIG. 7

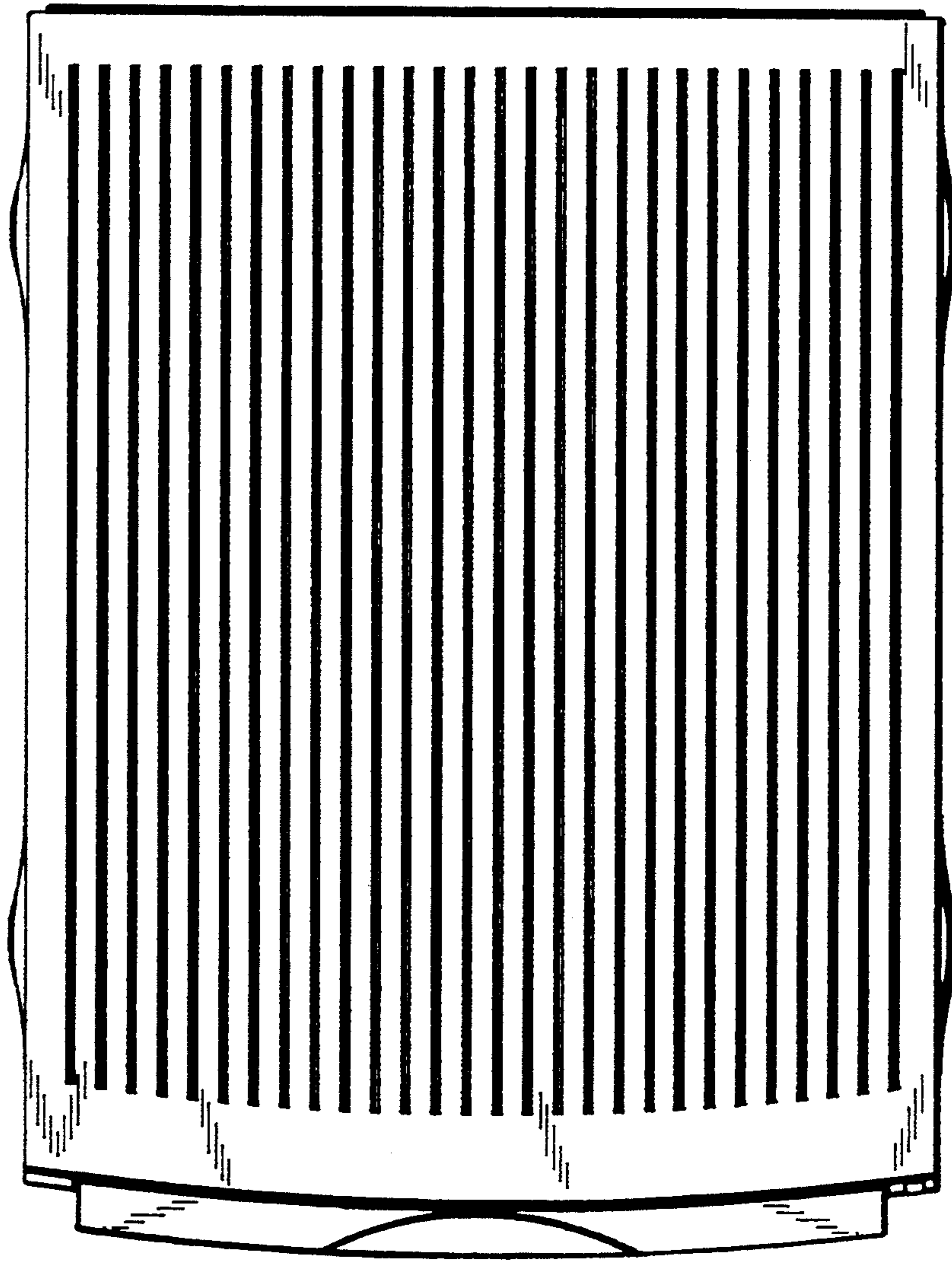


FIG. 8