



US00D350337S

# United States Patent [19]

[11] Patent Number: **Des. 350,337**

Riley et al.

[45] Date of Patent: **\*\* Sep. 6, 1994**

[54] **ENCLOSURE FOR A COMPUTER**

[75] Inventors: **Raymond W. Riley**, San Jose; **Wayne H. Miller**, Mountain View; **Kenneth D. Wood**, Woodside, all of Calif.

[73] Assignee: **Apple Computer, Inc.**, Cupertino, Calif.

[\*\*] Term: **14 Years**

[21] Appl. No.: **4,563**

[22] Filed: **Feb. 8, 1993**

[52] U.S. Cl. .... **D14/102**

[58] Field of Search ..... D6/421, 423; 312/208.1, 312/223.2, 223.3, 194; 360/99.12; 361/672, 724, 727; D14/100, 107, 108, 109; D13/184, 199

[56] **References Cited**

**U.S. PATENT DOCUMENTS**

- D. 337,758 7/1993 Barbera et al. .... D14/102
- D. 337,995 8/1993 Barbera et al. .... D14/100

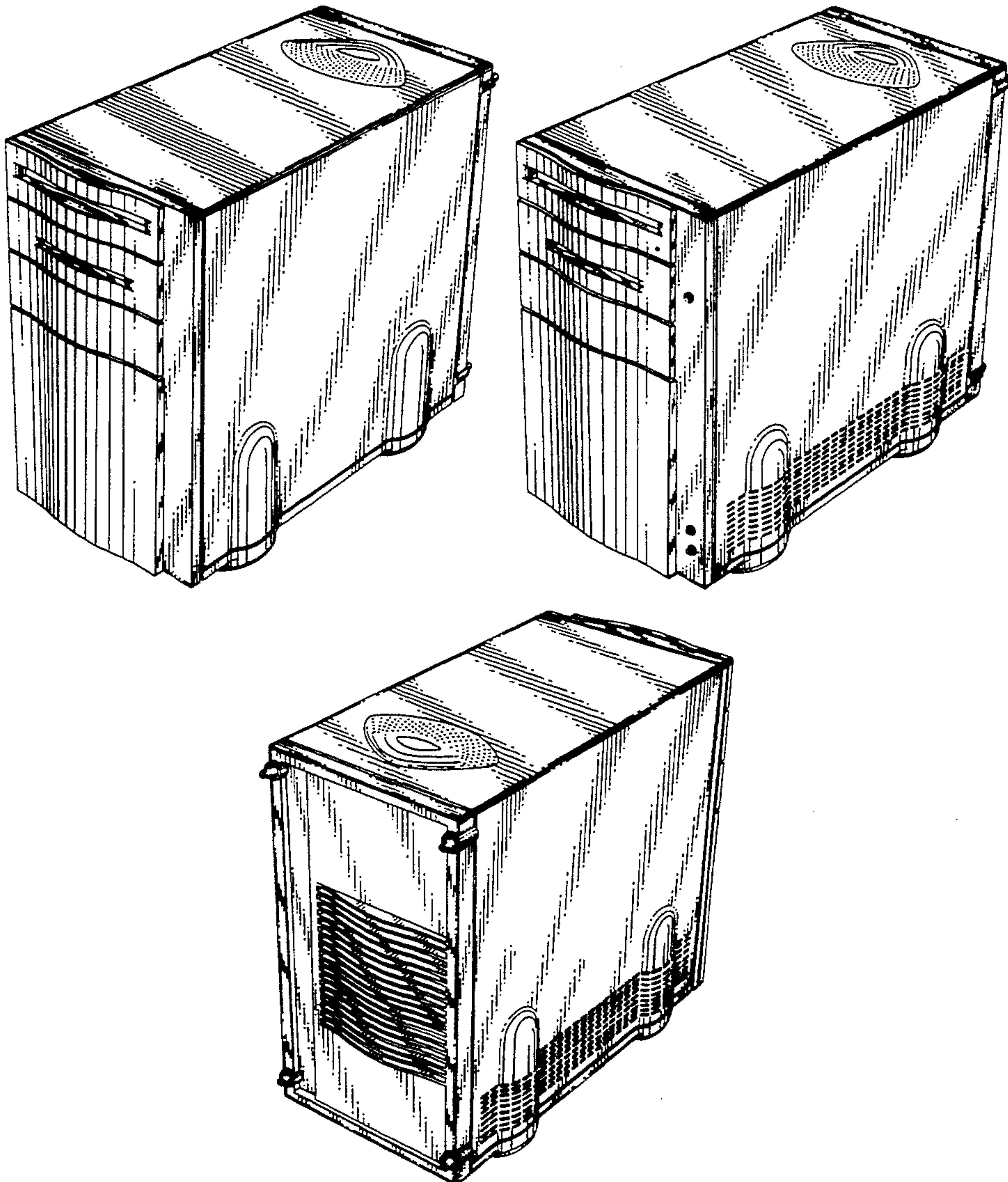
*Primary Examiner*—Wallace R. Burke  
*Assistant Examiner*—Freda S. Nunn  
*Attorney, Agent, or Firm*—Jeffrey J. Brooks

[57] **CLAIM**

The ornamental design for an enclosure for a computer, as shown and described.

**DESCRIPTION**

FIG. 1 is a front top and right side perspective view of an enclosure for a computer showing our new design; FIG. 2 is a front elevational view thereof; FIG. 3 is a rear elevational view thereof; FIG. 4 is a right side elevational view thereof; FIG. 5 is a left side elevational view thereof; FIG. 6 is a top plan view thereof; FIG. 7 is a bottom plan view thereof; FIG. 8 is a front top and right side perspective view of a second embodiment thereof; and, FIG. 9 is a rear top and left side perspective view thereof.



**FIG 1**

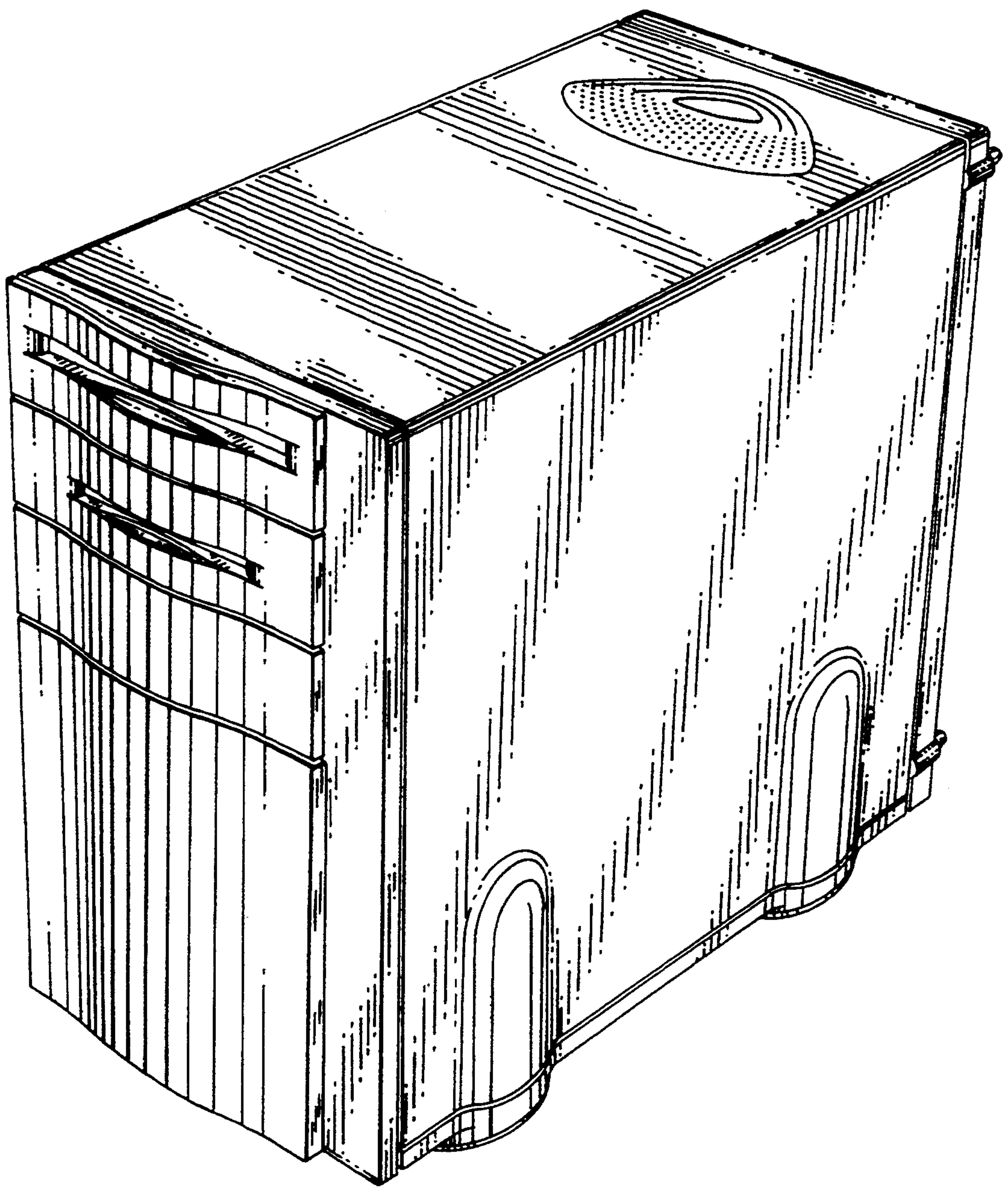




FIG. 3

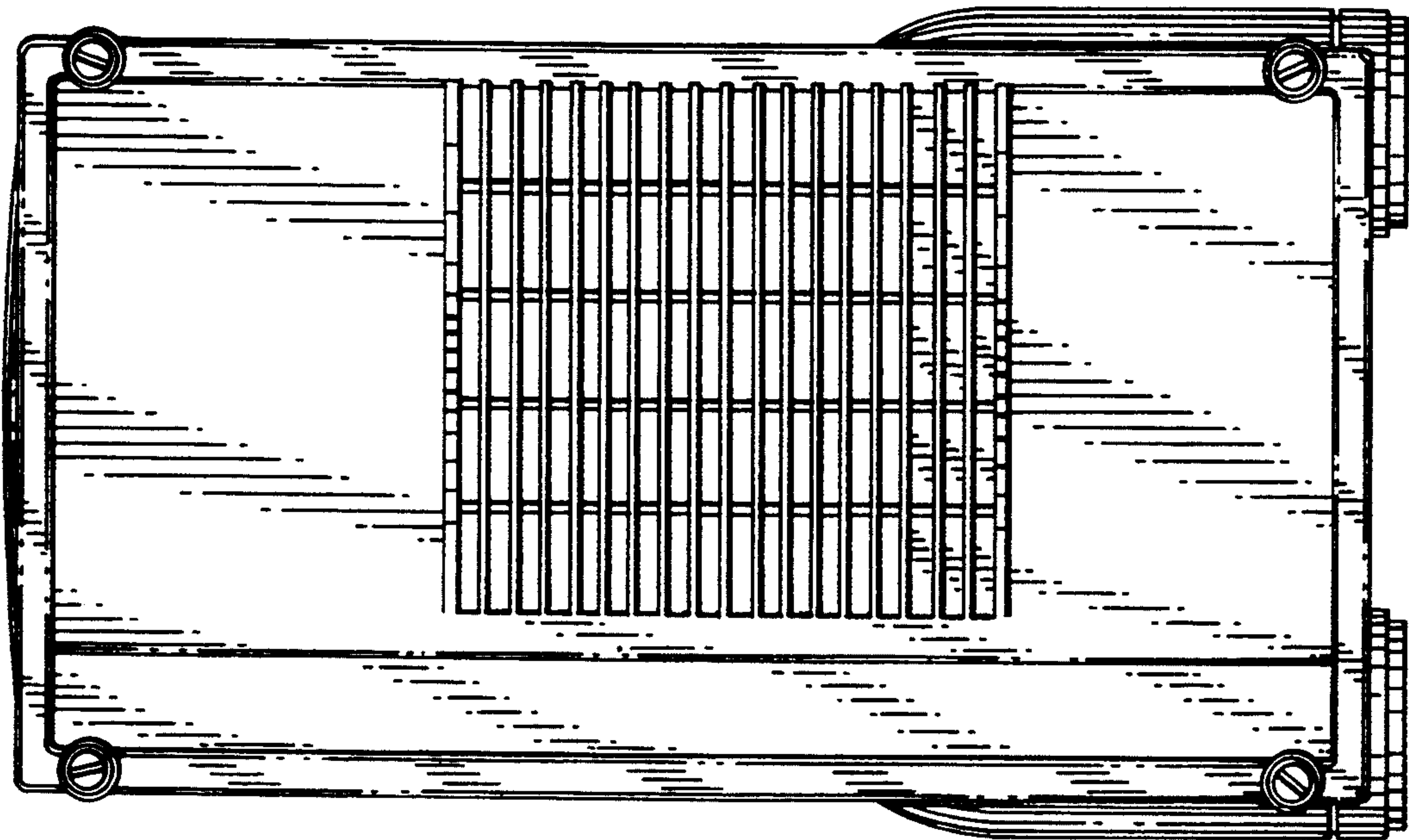
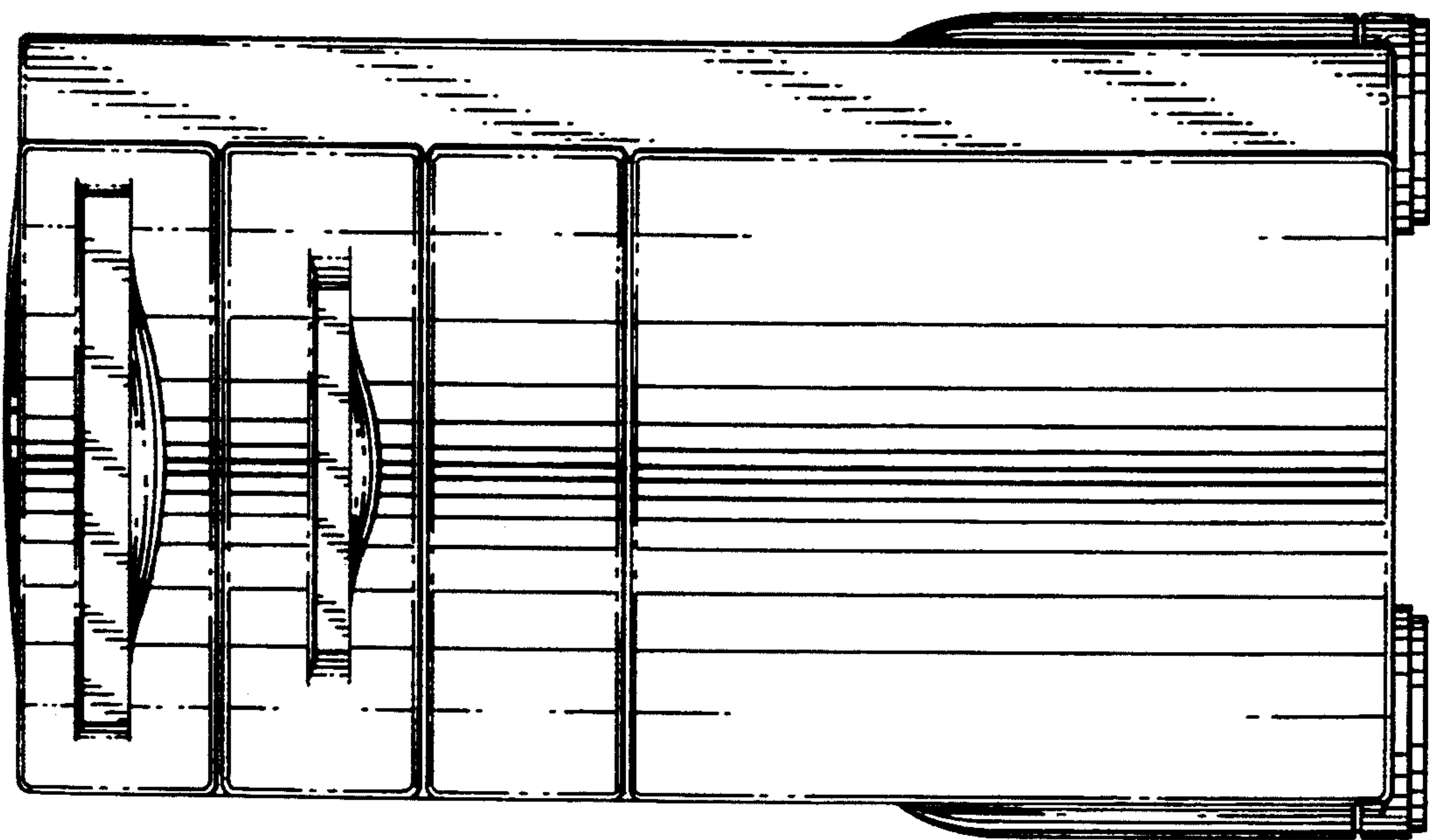


FIG. 2



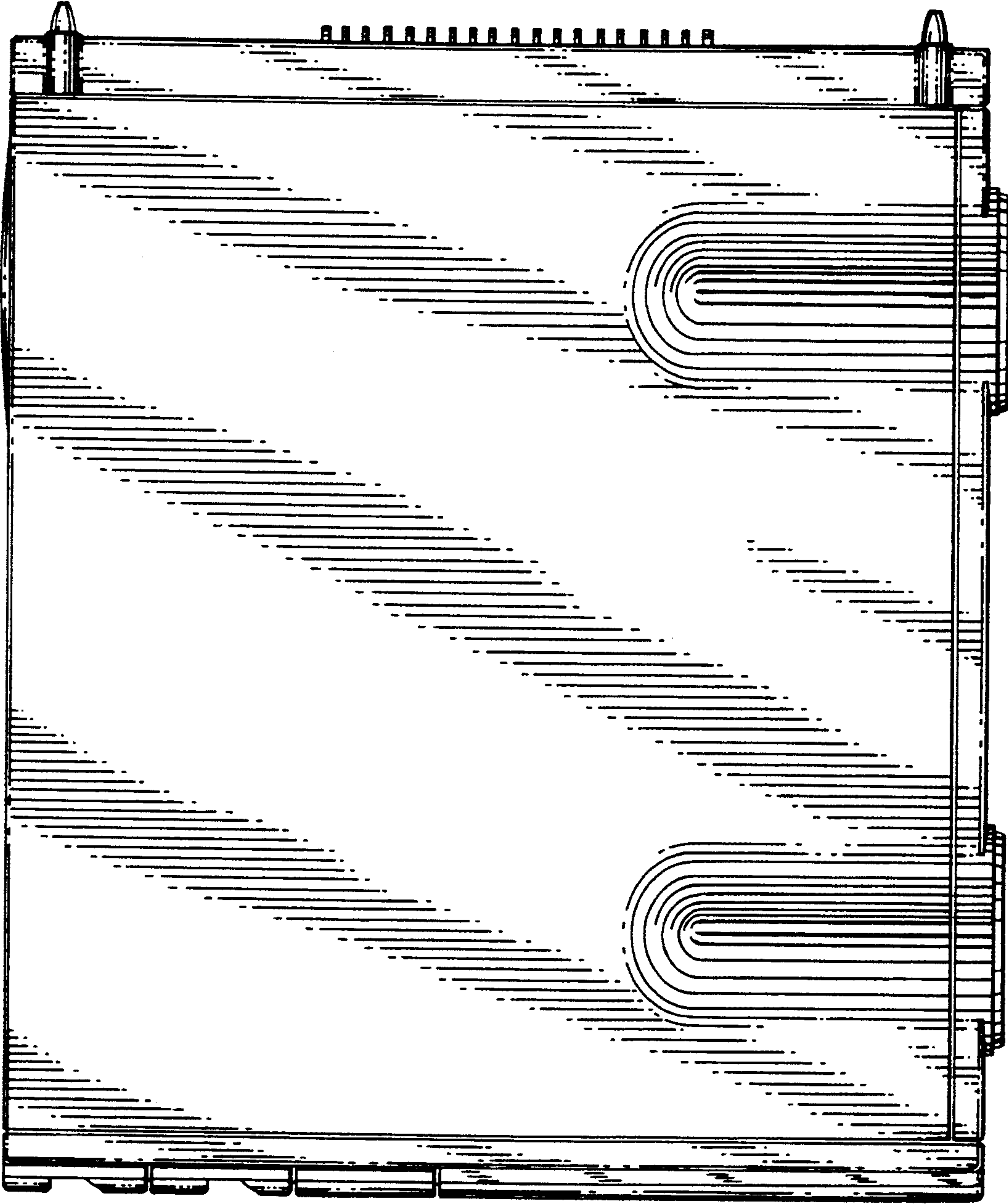
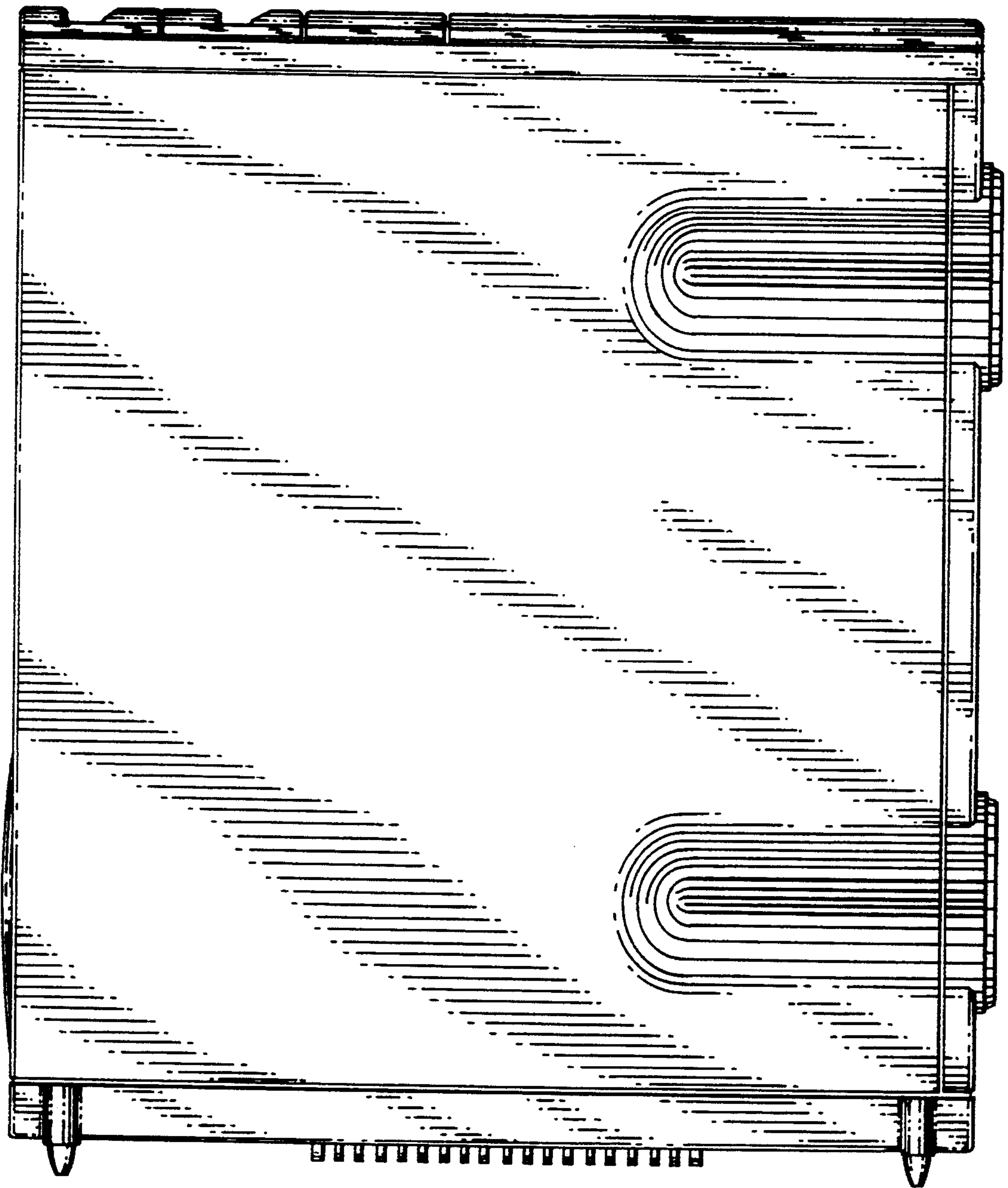


FIG 4

FIG. 5



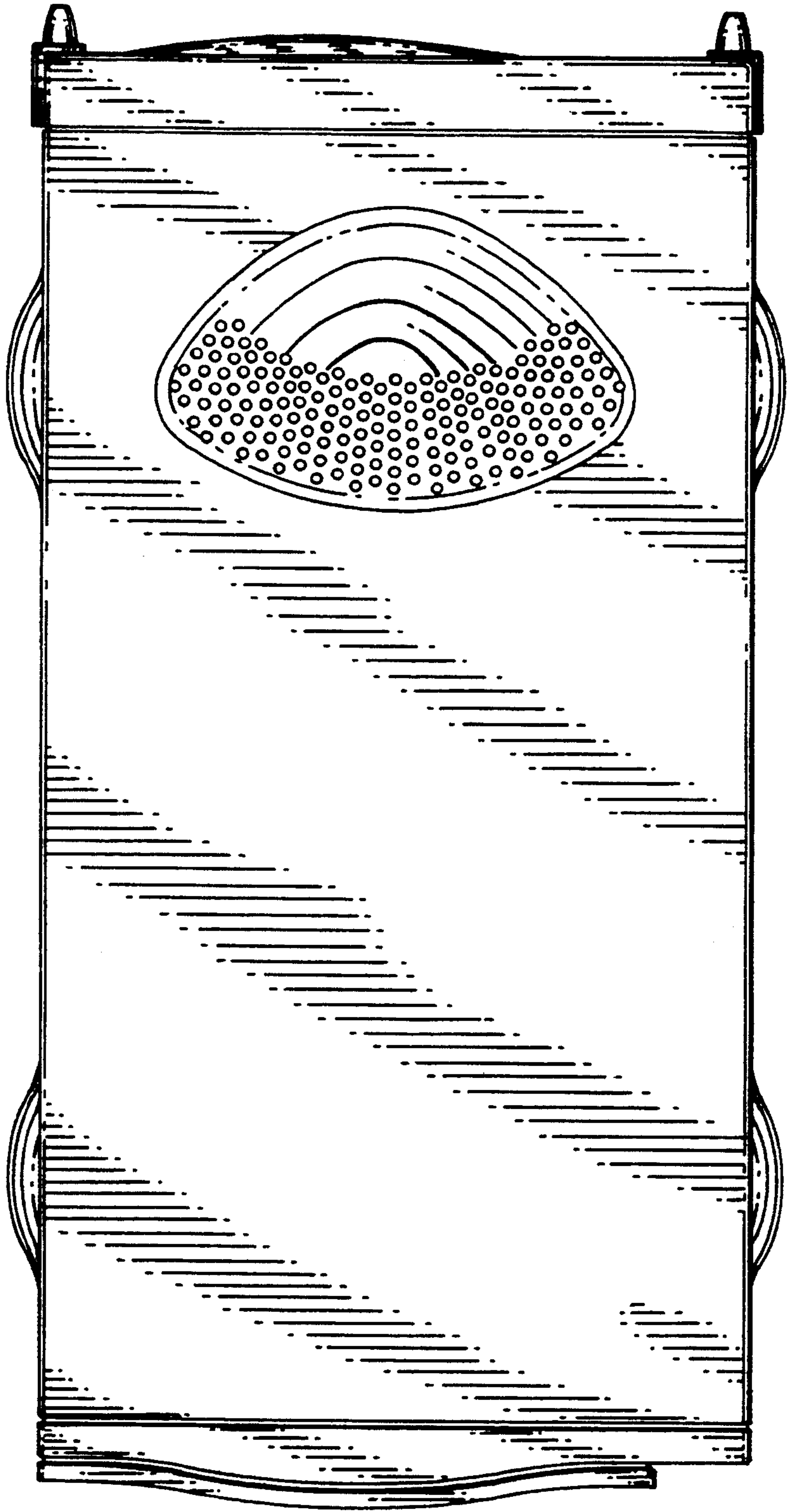
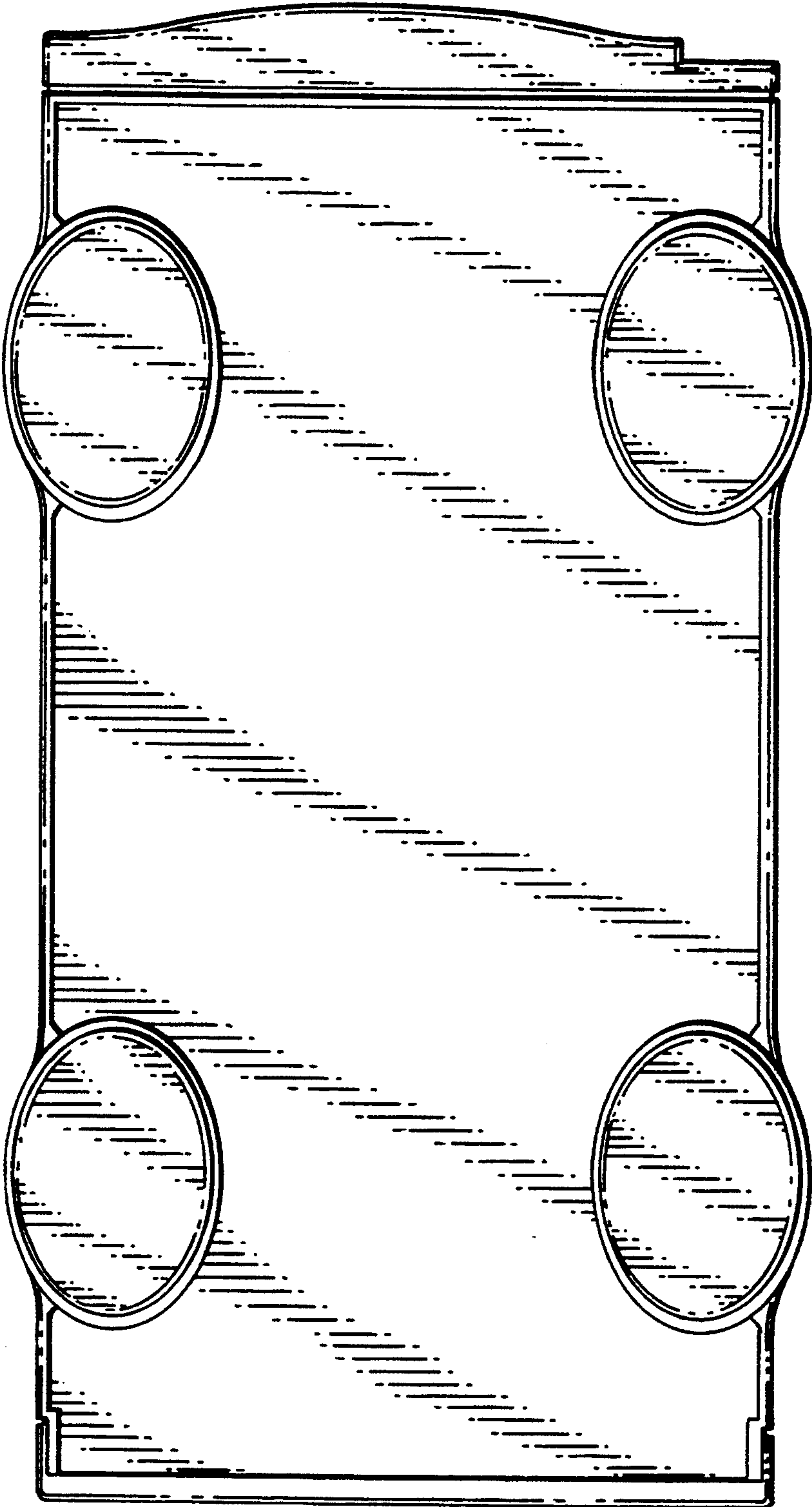


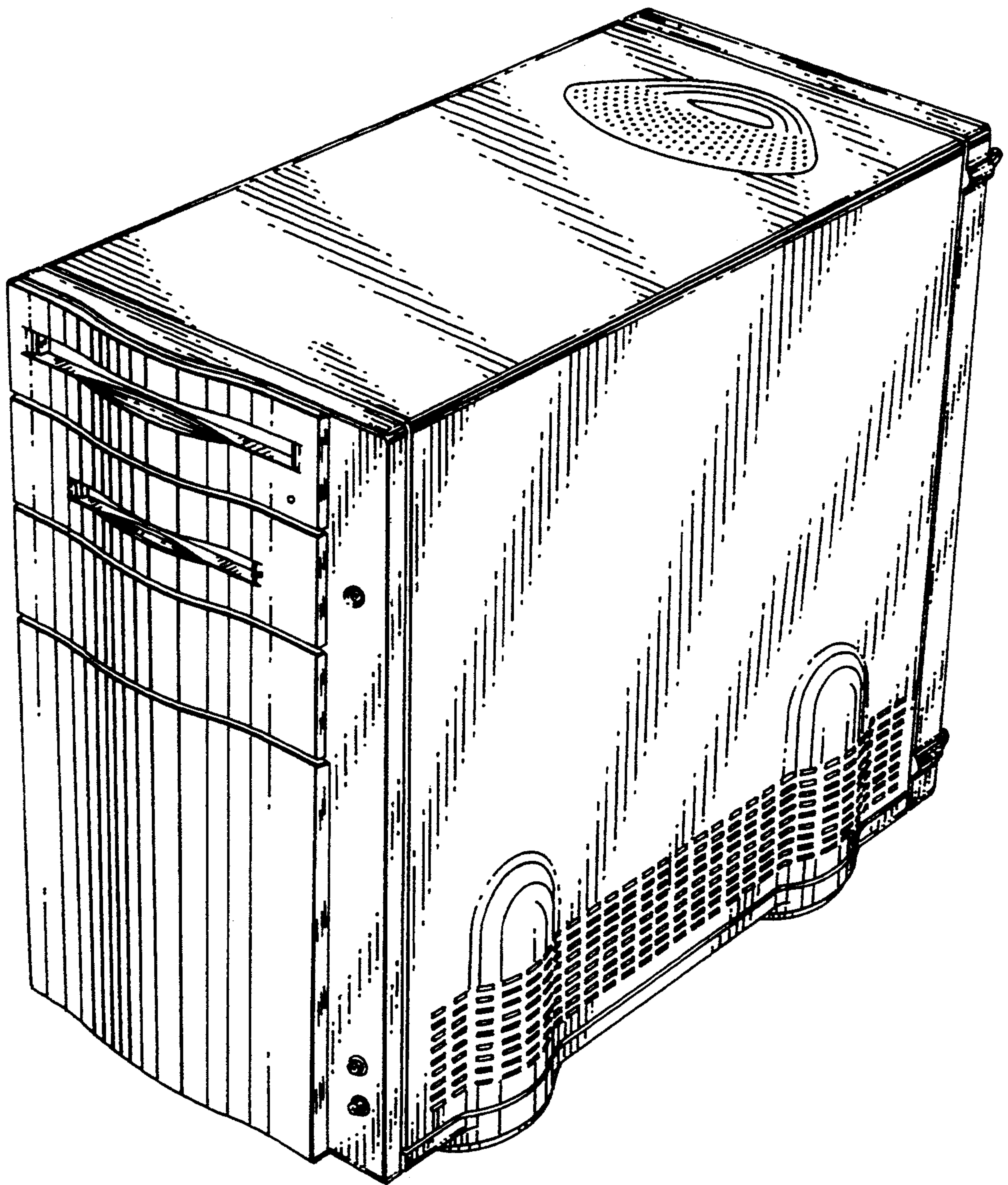
FIG. 5





**FIG 7**

**FIG 8**





**FIG 9**

