



US00D350336S

# United States Patent [19]

Kumar et al.

[11] Patent Number: Des. 350,336

[45] Date of Patent: \*\* Sep. 6, 1994

[54] GRIP HELD DATA ENTRY COMPUTER HAVING AN AUTOMATIC IDENTIFICATION READER AND MODIFIED DISPLAY

[75] Inventors: Rajendra Kumar; John W. Morrison, II, both of Akron, Ohio

[73] Assignee: Khyber Technologies Corporation, Fairlawn, Ohio

[\*\*] Term: 14 Years

[21] Appl. No.: 1,810

[22] Filed: Nov. 24, 1992

[52] U.S. Cl. .... D14/100; D14/116

[58] Field of Search ..... 235/380, 382, 382.5, 235/430, 431, 462, 472; 364/709.05, 709.06, 708.1, 709.12, 706; 382/2, 7, 59, 58; D14/100, 105, 116; D18/7

## [56] References Cited

### U.S. PATENT DOCUMENTS

D. 248,946	8/1978	Koenig	.....	D14/116
D. 297,939	10/1988	Bradbury et al.	.....	D14/100 X
D. 305,884	2/1990	Krichever et al.	.....	D14/116
D. 307,138	4/1990	Knowles	.....	D14/116
D. 320,013	9/1991	Siemiatkowski et al.	.....	D14/116
D. 325,574	4/1992	Carver	.....	D14/100
D. 338,002	8/1993	Kapac et al.	.....	D14/116
4,621,189	11/1986	Kumar et al.	.....	235/472
4,758,717	7/1988	Shepard et al.	.....	235/472
4,983,818	1/1991	Knowles	.....	235/472
5,023,824	6/1991	Chadima, Jr. et al.	.....	364/708
5,059,778	10/1991	Zouzoulas et al.	.....	235/472
5,123,064	6/1992	Hacker et al.	.....	D14/100 X

## OTHER PUBLICATIONS

Article entitled "Programmable Handheld Reader", *Tiris News*, pp. 1 & 6, Issue No. 6, 1992.

Article entitled "DTE Integrates TIRIS into Their EVA Handheld Reader", *Tiris News*, pp. 1 & 5, Issue No. 8, 1992.

Advertisement for Model LID 500 Hand Held Reader, Electronic Identification Systems, Ltd., 1992.

Advertisement for Model HC-2000 PE Handheld Computer, INFOS, *Automatic I.D. News*, 1992.

Advertisement for Pocket RF Terminal, Norand Corporation, *Automatic I.D. News*, Dec. 1992.

Advertisement for Model PSC 5300, Photographic Sciences Corporation, 1991.

Primary Examiner—Wallace R. Burke

Assistant Examiner—Freda S. Nunn

Attorney, Agent, or Firm—Michael Sand Co.

## [57] CLAIM

The ornamental design for a grip held data entry computer having an automatic identification reader and modified display, as shown and described.

## DESCRIPTION

FIG. 1 is a perspective view of a grip held data entry computer having an automatic identification reader and modified display showing our new design;

FIG. 2 is a front elevation thereof;

FIG. 3 is a top plan view thereof;

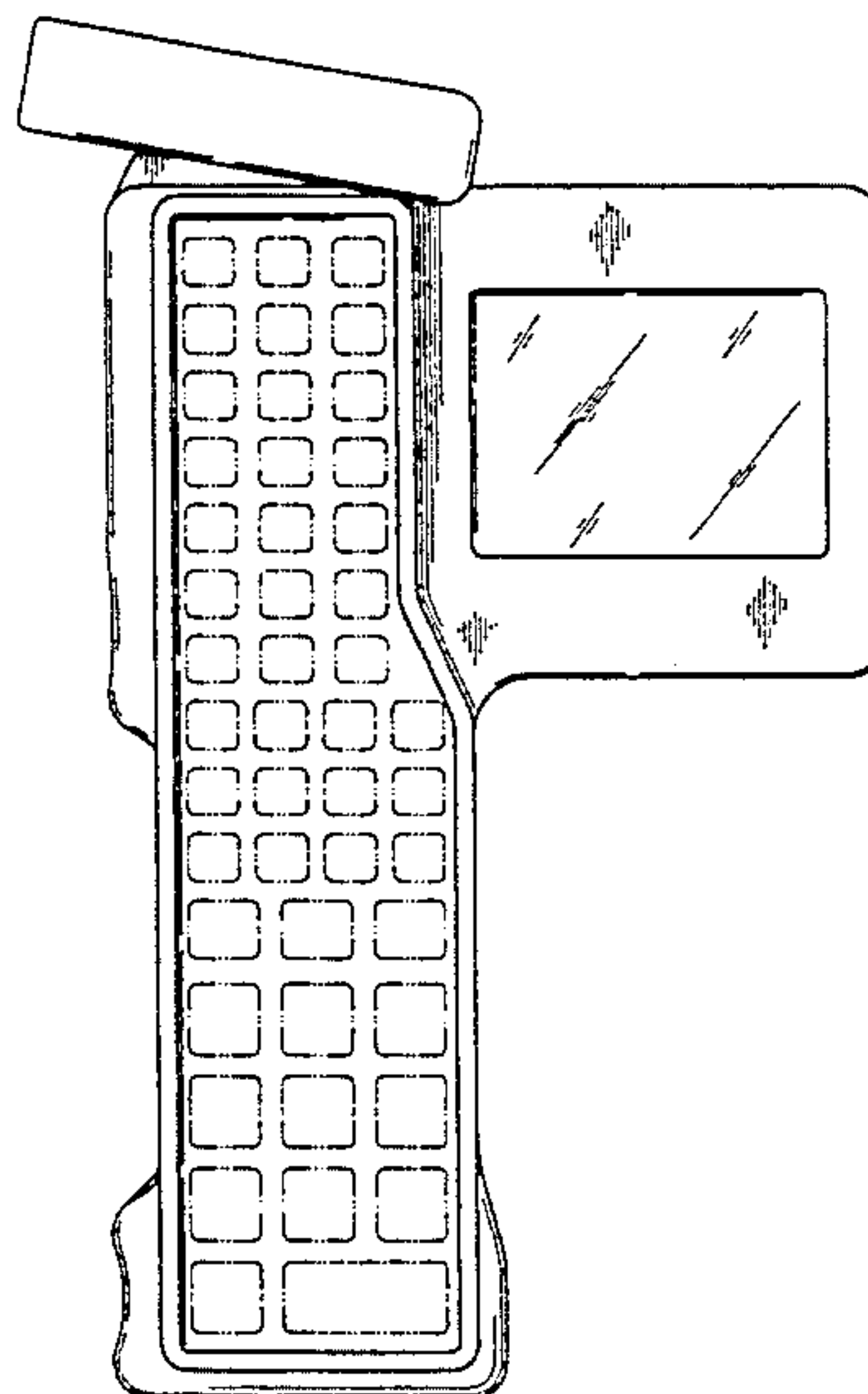
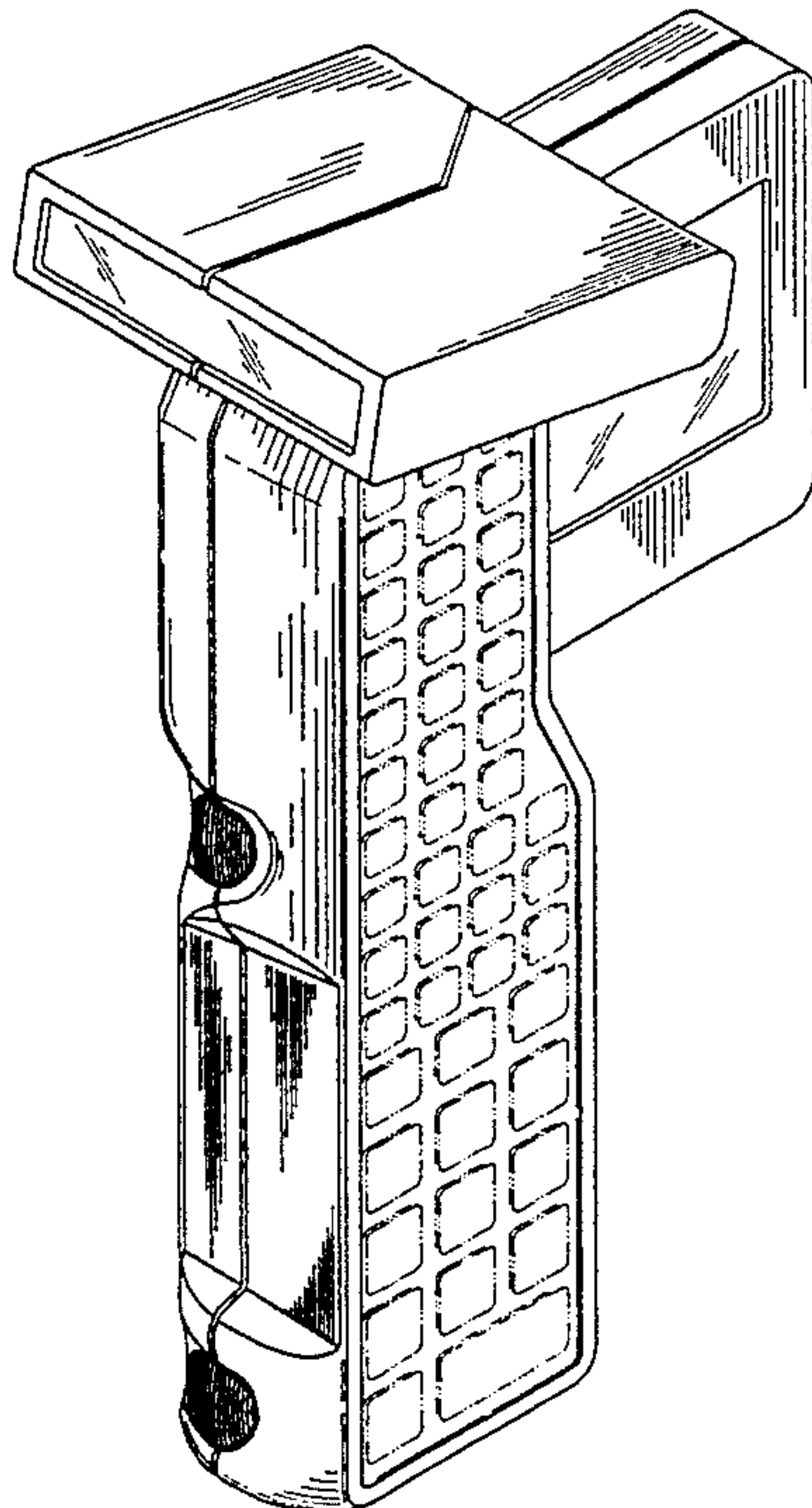
FIG. 4 is a rear elevation thereof;

FIG. 5 is a bottom plan view thereof;

FIG. 6 is a left side elevation thereof; and,

FIG. 7 is a right side elevation thereof.

The broken lines are shown in the views for illustrative purposes only and form no part of the claimed design.



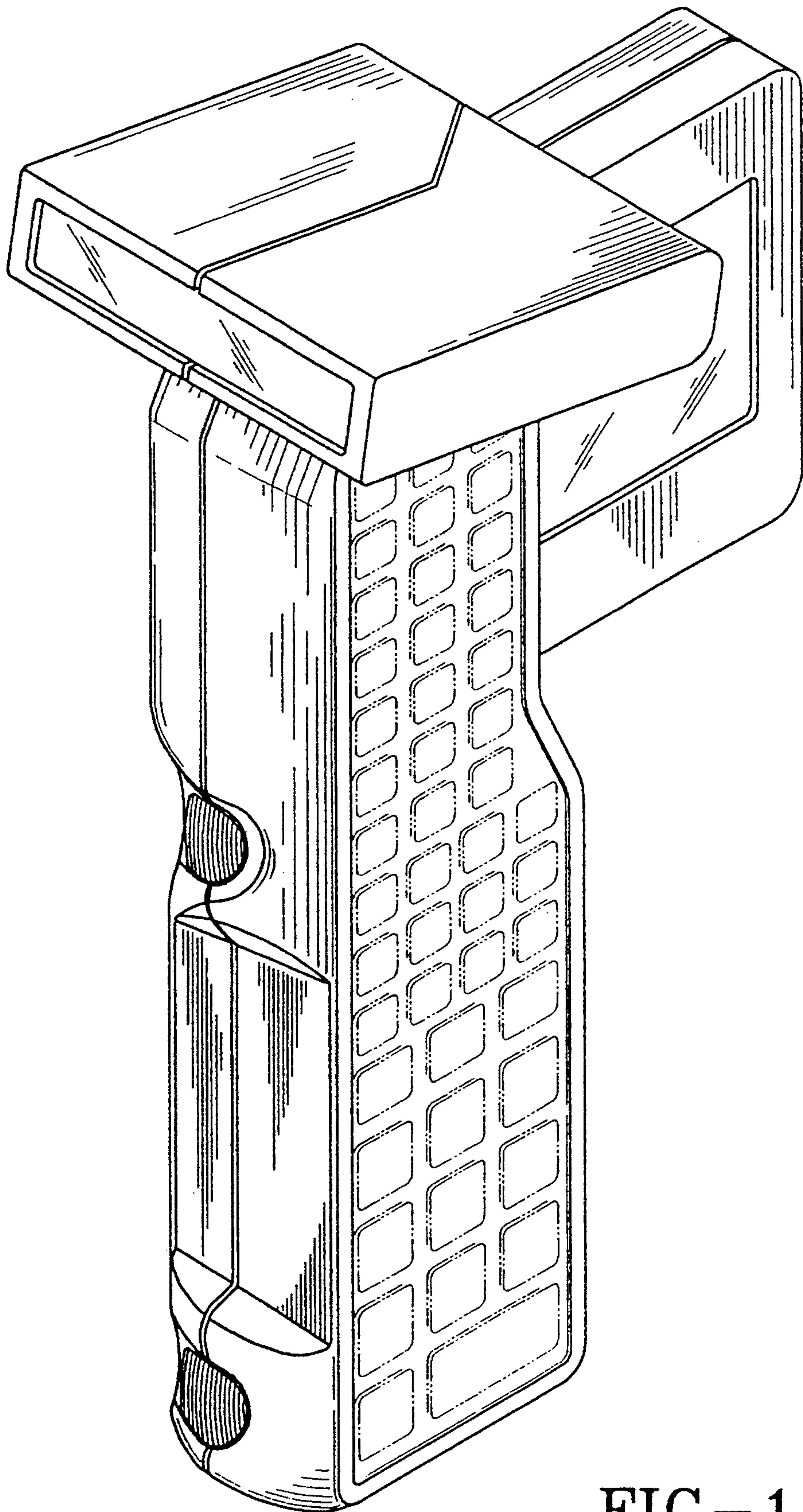


FIG-1



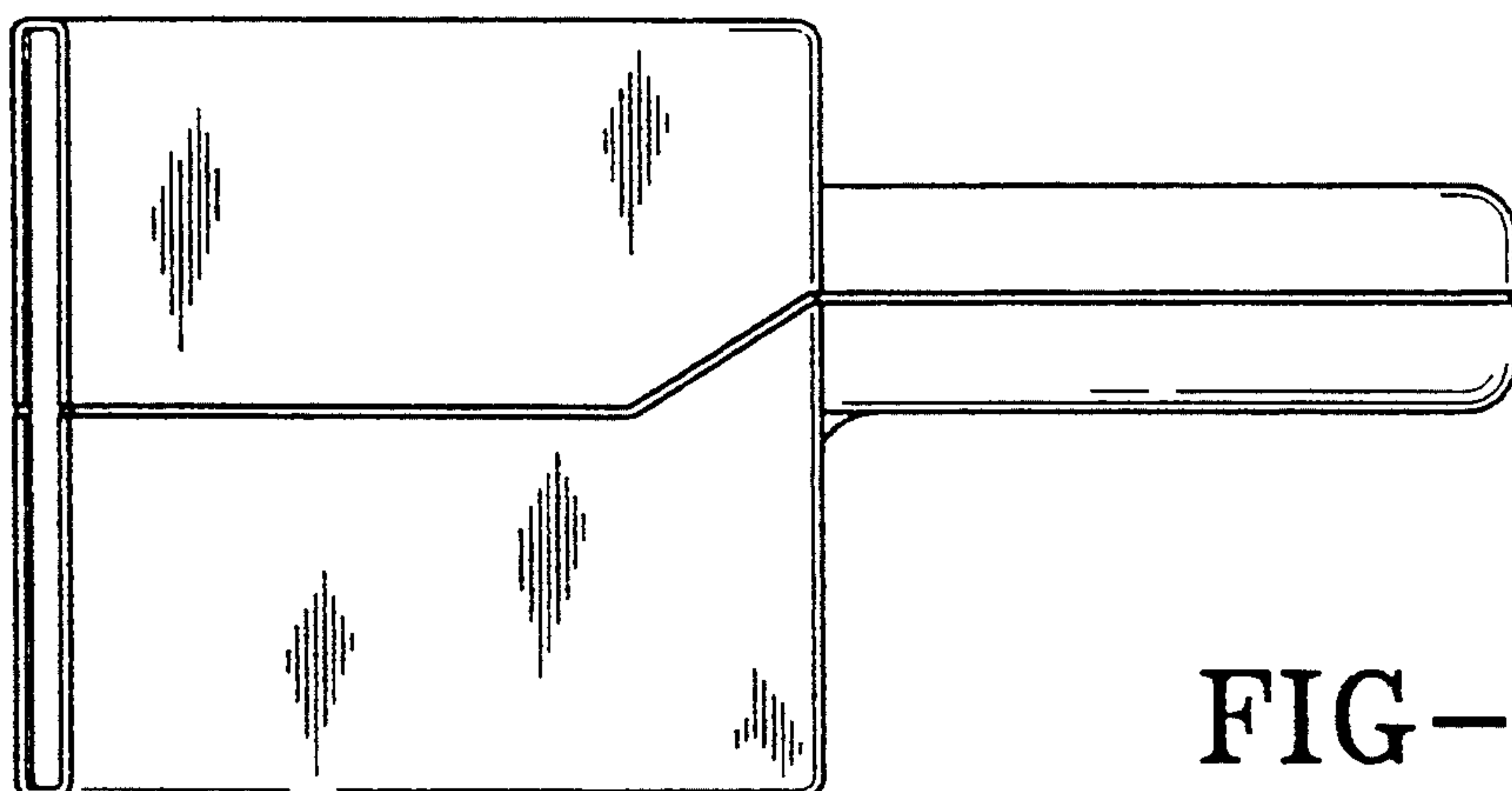


FIG-3

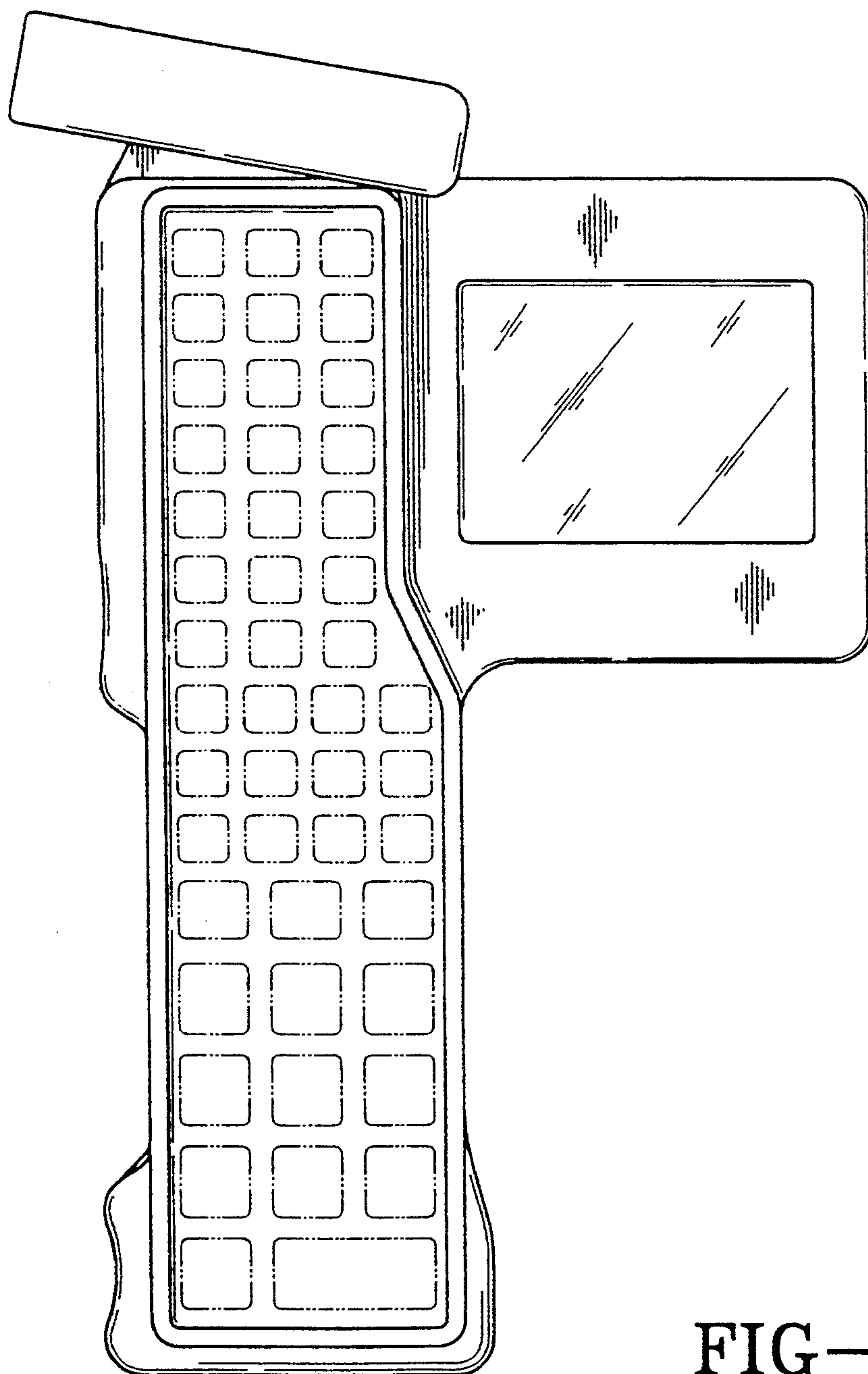


FIG-2

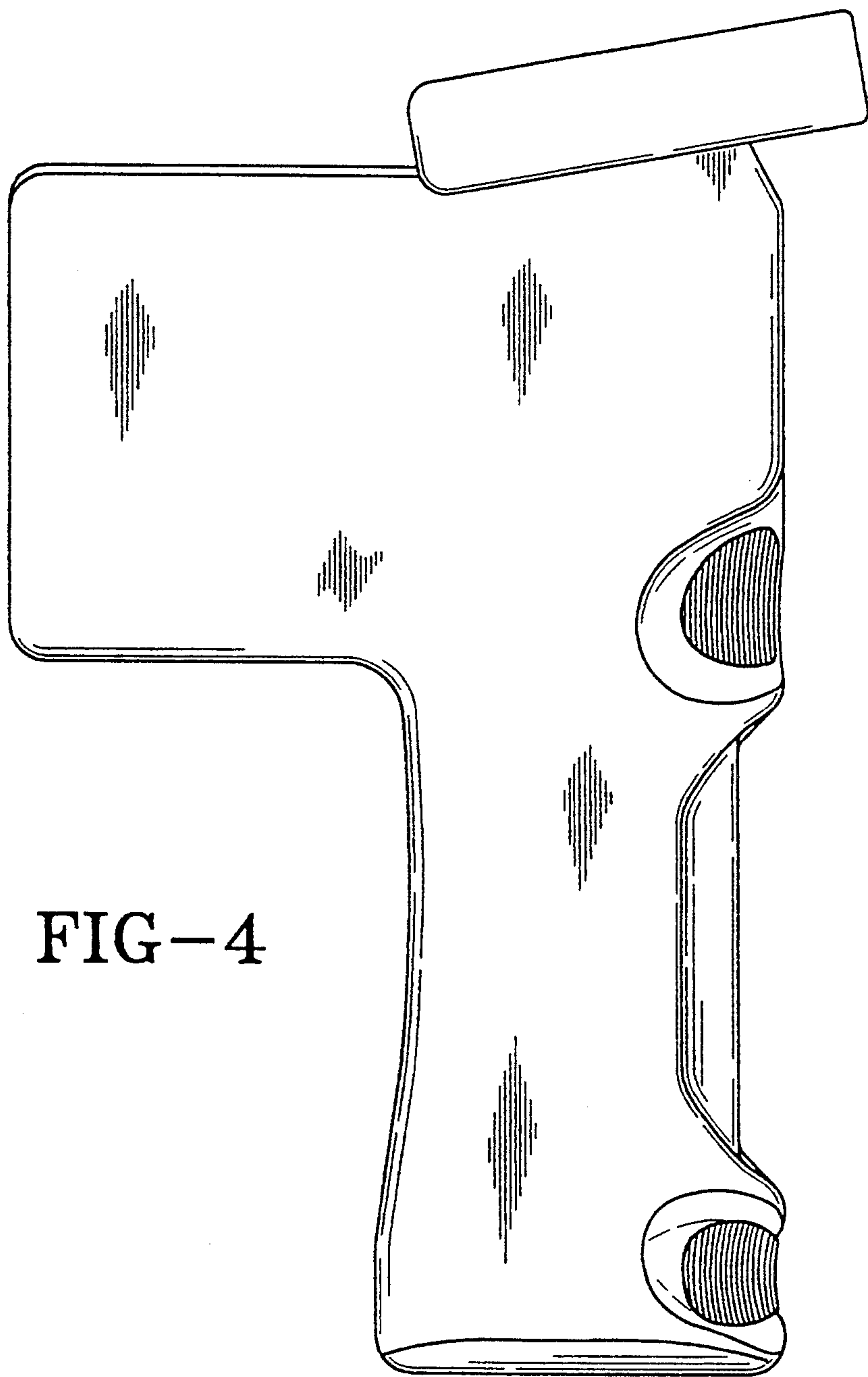


FIG-4

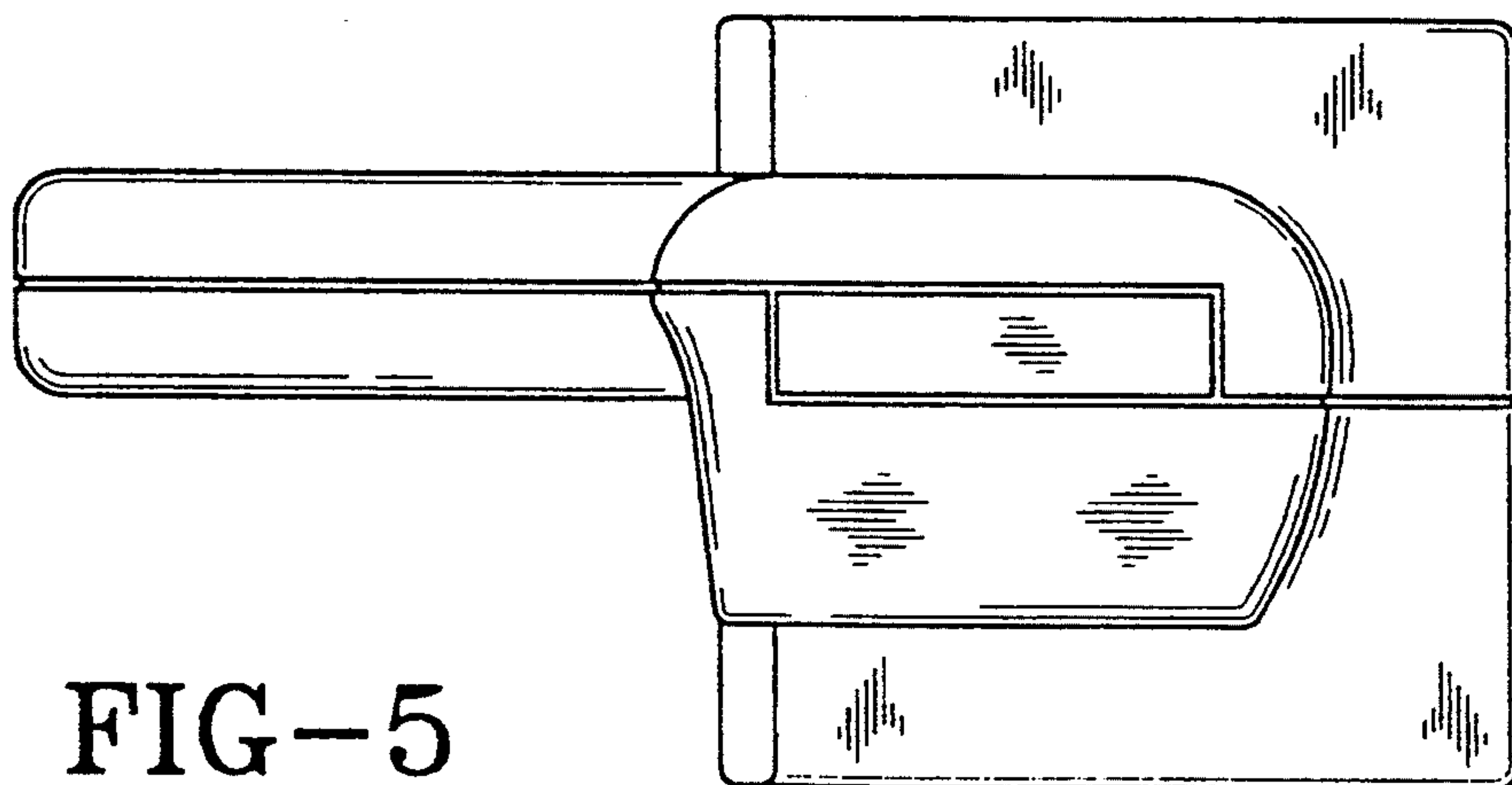


FIG-5

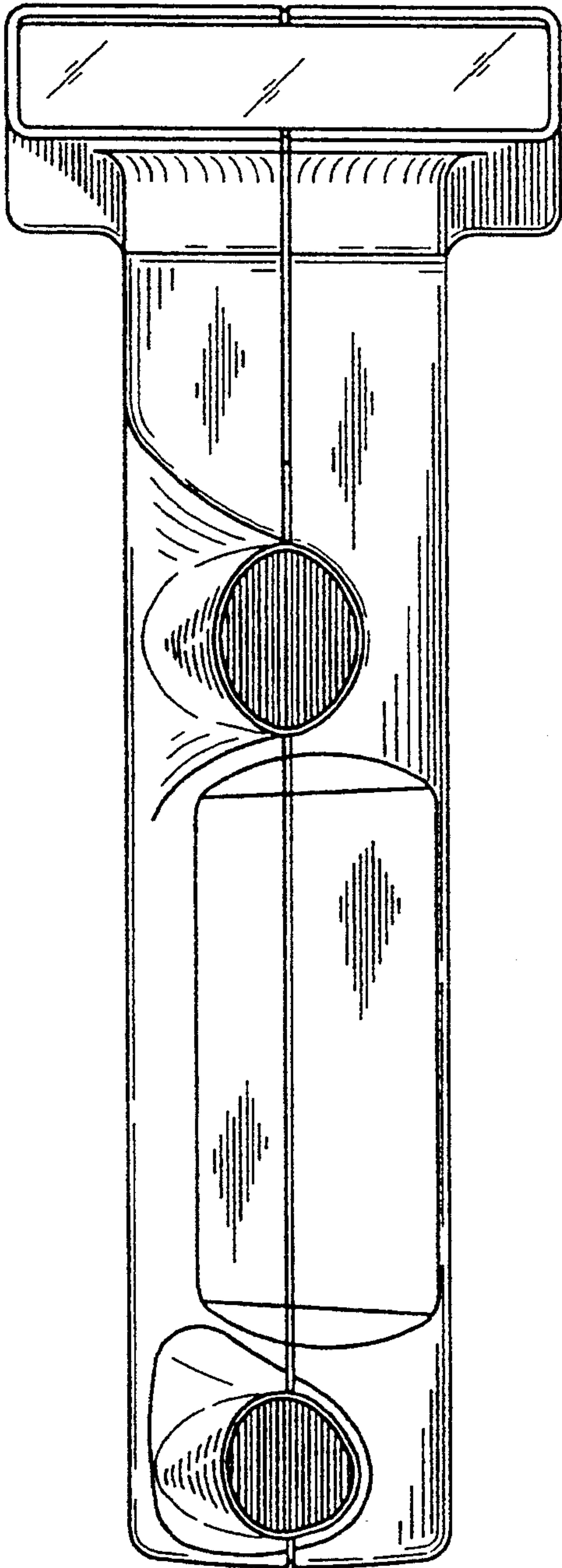


FIG-6

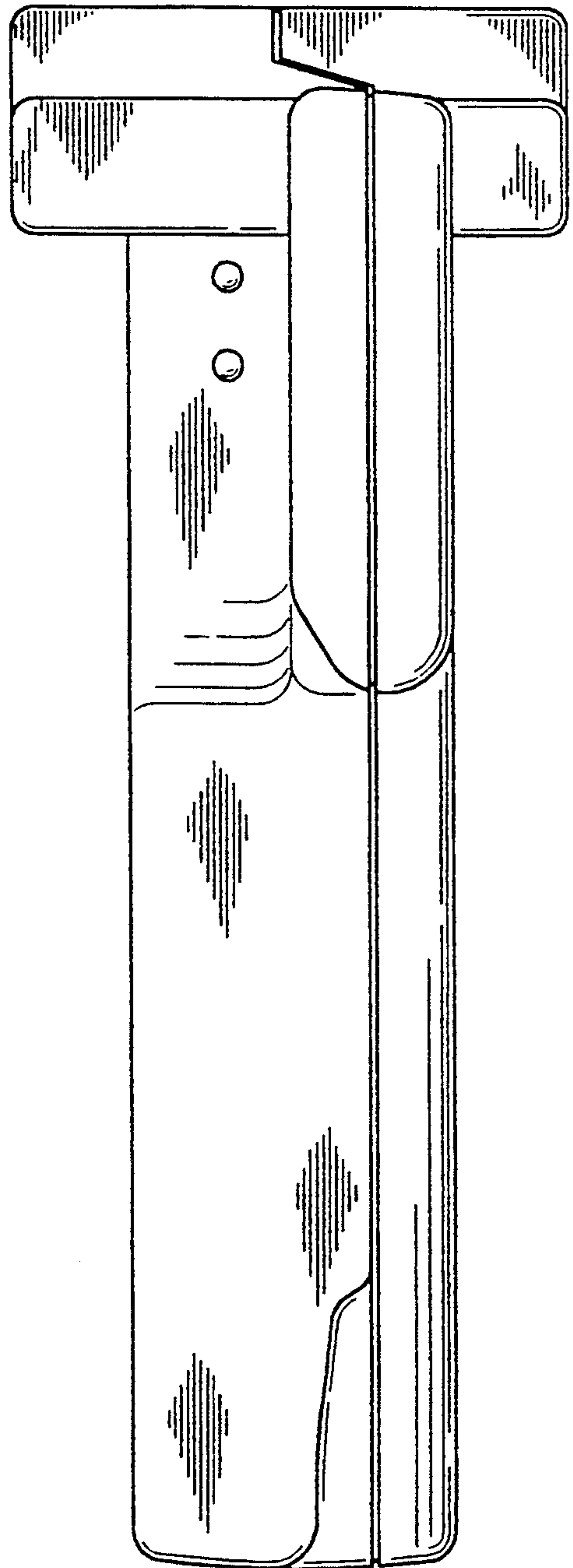


FIG-7