



US00D350334S

# United States Patent [19]

[11] Patent Number: **Des. 350,334**

**Kumar et al.**

[45] Date of Patent: **\*\* Sep. 6, 1994**

- [54] **GRIP HELD DATA ENTRY COMPUTER HAVING AN AUTOMATIC IDENTIFICATION READER**
- [75] Inventors: **Rajendra Kumar; John W. Morrison, II**, both of Akron, Ohio
- [73] Assignee: **Khyber Technologies Corporation**, Fairlawn, Ohio
- [\*\*] Term: **14 Years**
- [21] Appl. No.: **688**
- [22] Filed: **Oct. 21, 1992**
- [52] U.S. Cl. .... **D14/100; D14/116**
- [58] Field of Search ..... 235/380, 382, 430, 431, 235/462, 472, 382.5; 382/2, 7, 58, 59; 364/709.05, 709.06, 706, 708.1, 709.12; D14/100, 105, 116; D18/7

### OTHER PUBLICATIONS

Article entitled "Programmable Handheld Reader", *Tiris News*, pp. 1 & 6, Issue No. 6, 1992.  
 Article entitled "DTE Integrates TIRIS into Their EVA Handheld Reader", *Tiris News*, pp. 1 & 5, Issue No. 8, 1992.  
 Advertisement for Model LID 500 Hand Held Reader, Electronic Identification Systems, Ltd., 1992.  
 Advertisement for Model HC-2000 PE Handheld Computer, INFOS, *Automatic I.D. News*, 1992.  
 Advertisement for Pocket RF Terminal, Norand Corporation, *Automatic I.D. News*, Dec. 1992.  
 Advertisement for Model PSC 5300, Photographic Sciences Corporation, 1991.

*Primary Examiner*—Wallace R. Burke  
*Assistant Examiner*—Freda S. Nunn  
*Attorney, Agent, or Firm*—Michael Sand Co.

### [56] References Cited

#### U.S. PATENT DOCUMENTS

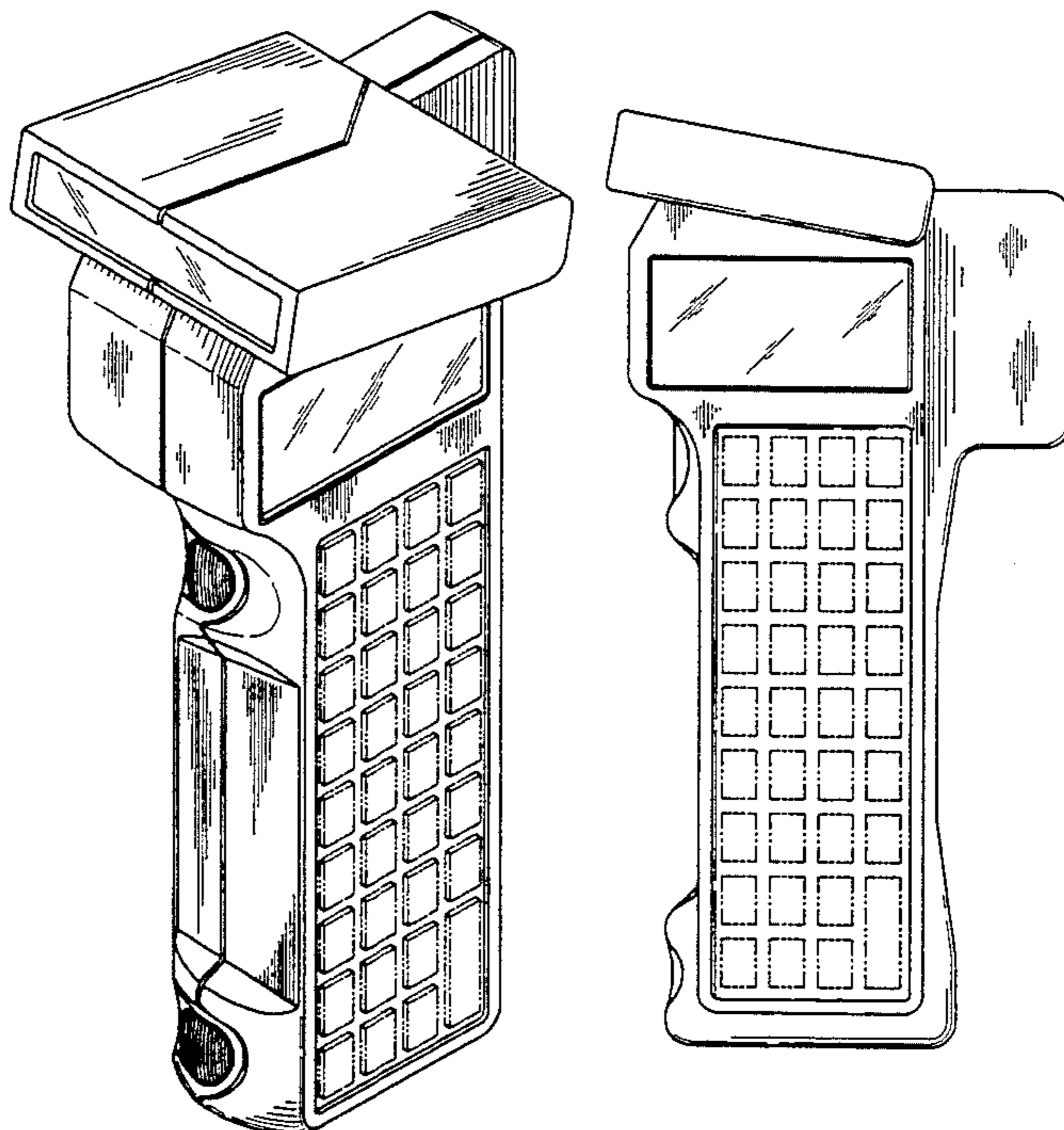
D. 248,946	8/1978	Koenig .....	D14/116
D. 297,939	10/1988	Bradbury et al. ....	D14/100 X
D. 305,884	2/1990	Krichever et al. ....	D14/116
D. 307,138	4/1990	Knowles .....	D14/116
D. 320,013	9/1991	Siemiatkowski et al. ....	D14/116
D. 325,574	4/1992	Carver .....	D14/100
D. 338,002	8/1993	Kapac et al. ....	D14/116
4,621,189	11/1986	Kumar et al. ....	235/472
4,758,717	7/1988	Shepard et al. ....	235/472
4,983,818	1/1991	Knowles .....	235/472
5,023,824	6/1991	Chadima, Jr. et al. ....	364/708
5,059,778	10/1991	Zouzoulas et al. ....	235/472
5,123,064	6/1992	Hacker et al. ....	D14/100 X

### [57] CLAIM

The ornamental design for a grip held data entry computer having an automatic identification reader, as shown and described.

### DESCRIPTION

FIG. 1 is a perspective view of a grip held data entry computer having an automatic identification reader showing our new design;  
 FIG. 2 is a front elevation thereof;  
 FIG. 3 is a top plan view thereof;  
 FIG. 4 is a rear elevation thereof;  
 FIG. 5 is a bottom plan view thereof;  
 FIG. 6 is a left side elevation thereof; and,  
 FIG. 7 is a right side elevation thereof.  
 The broken lines are shown in the views for illustrative purposes only and form no part of the claimed design.



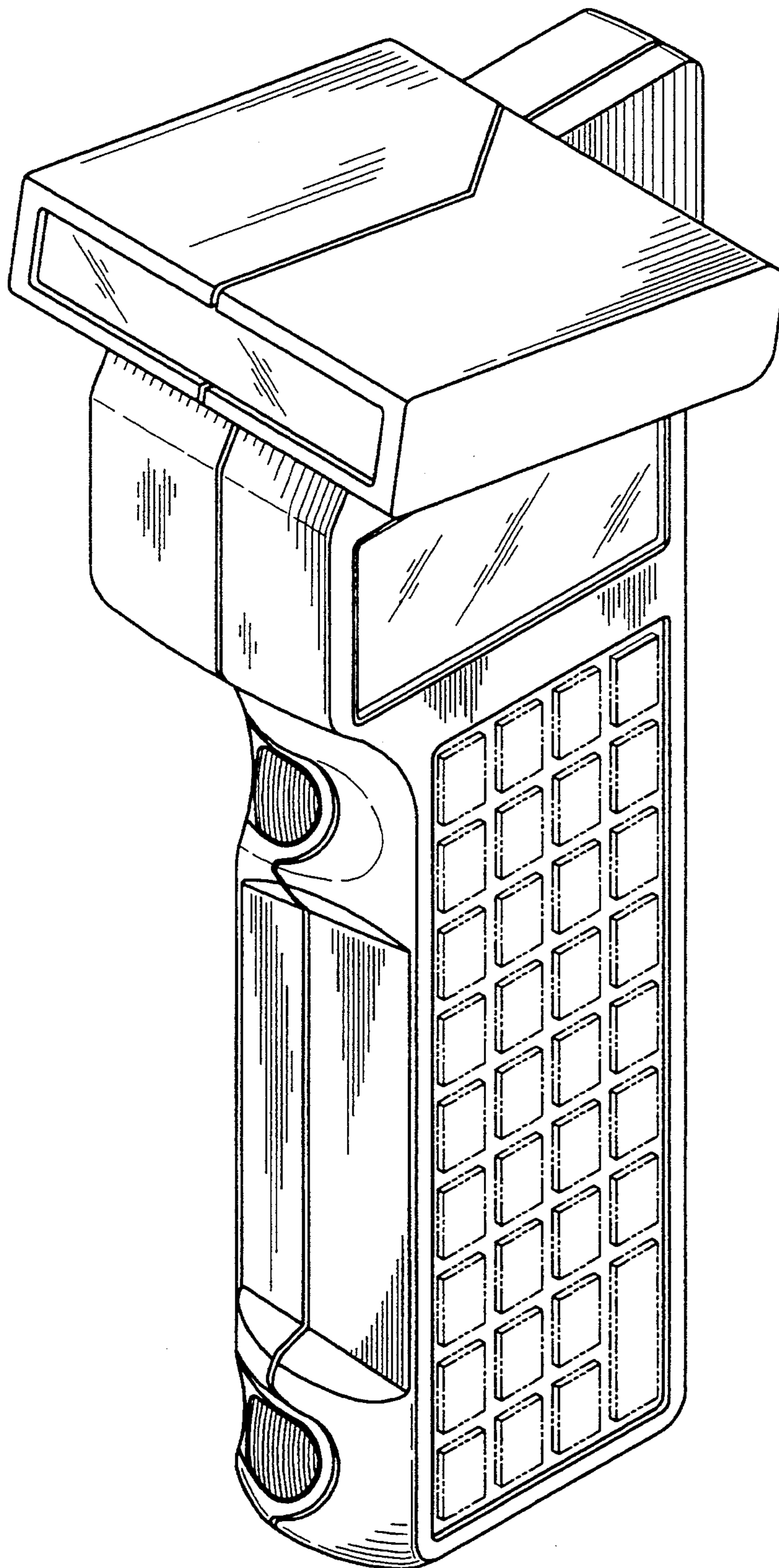


FIG-1

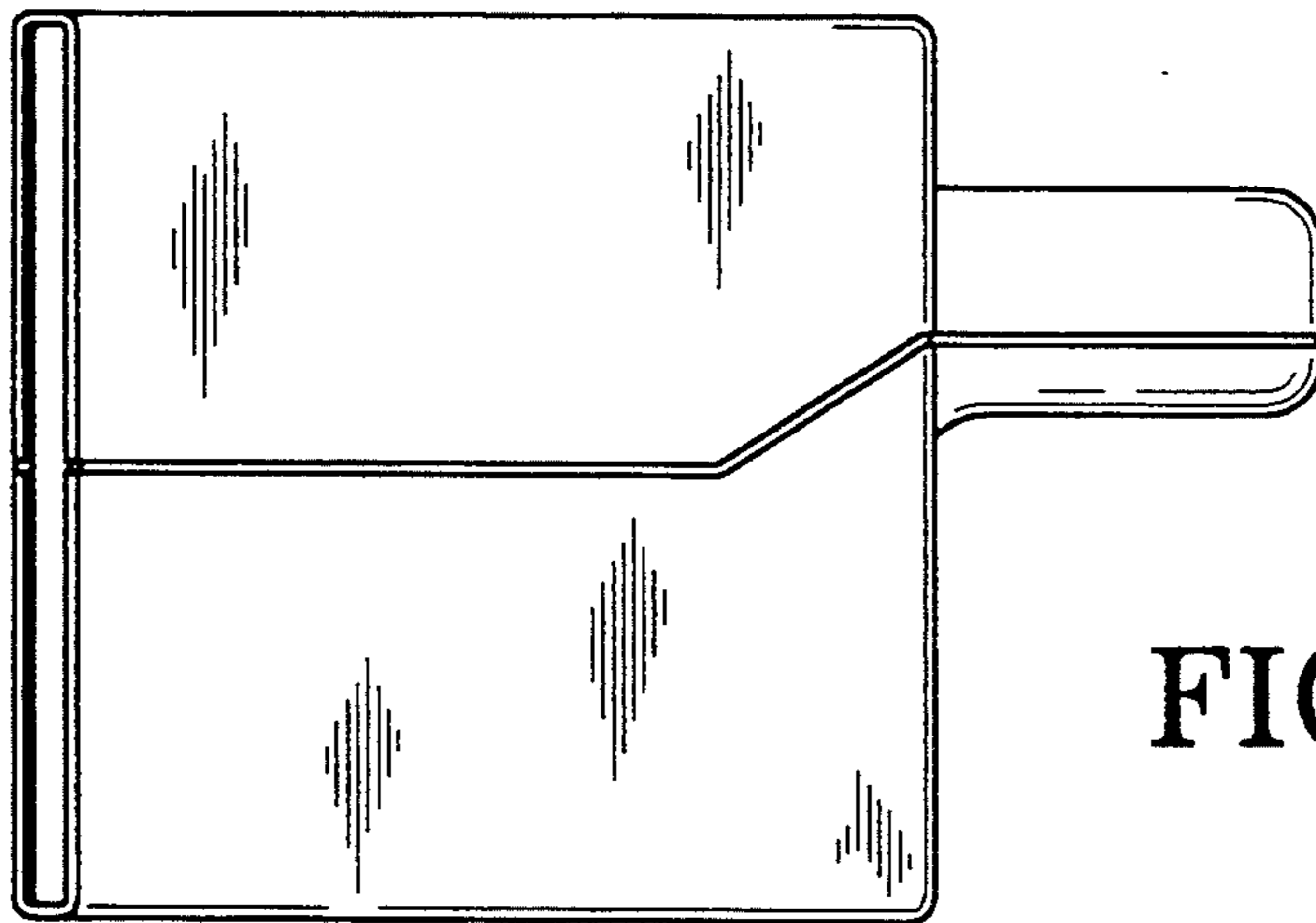


FIG-3

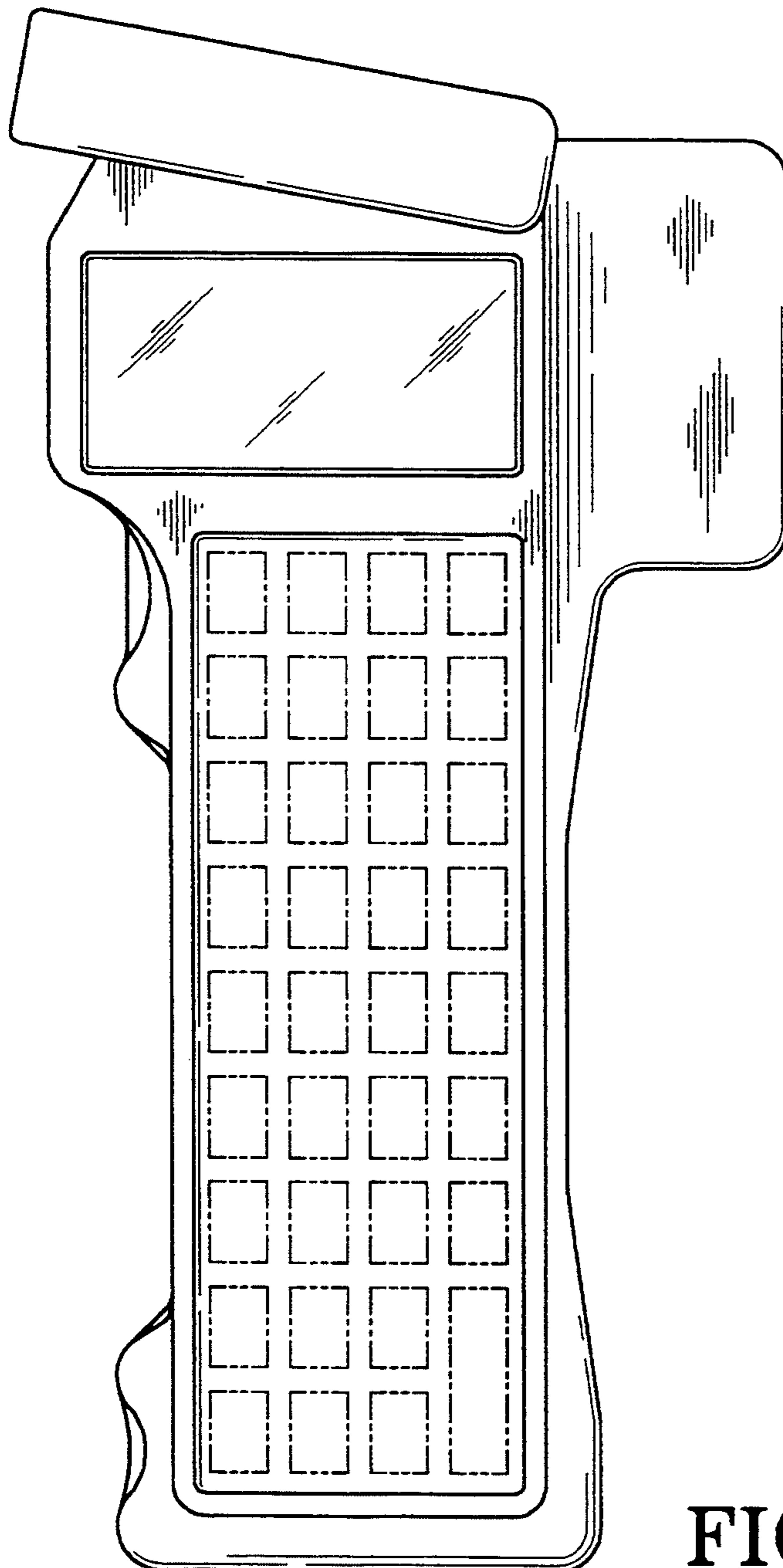


FIG-2



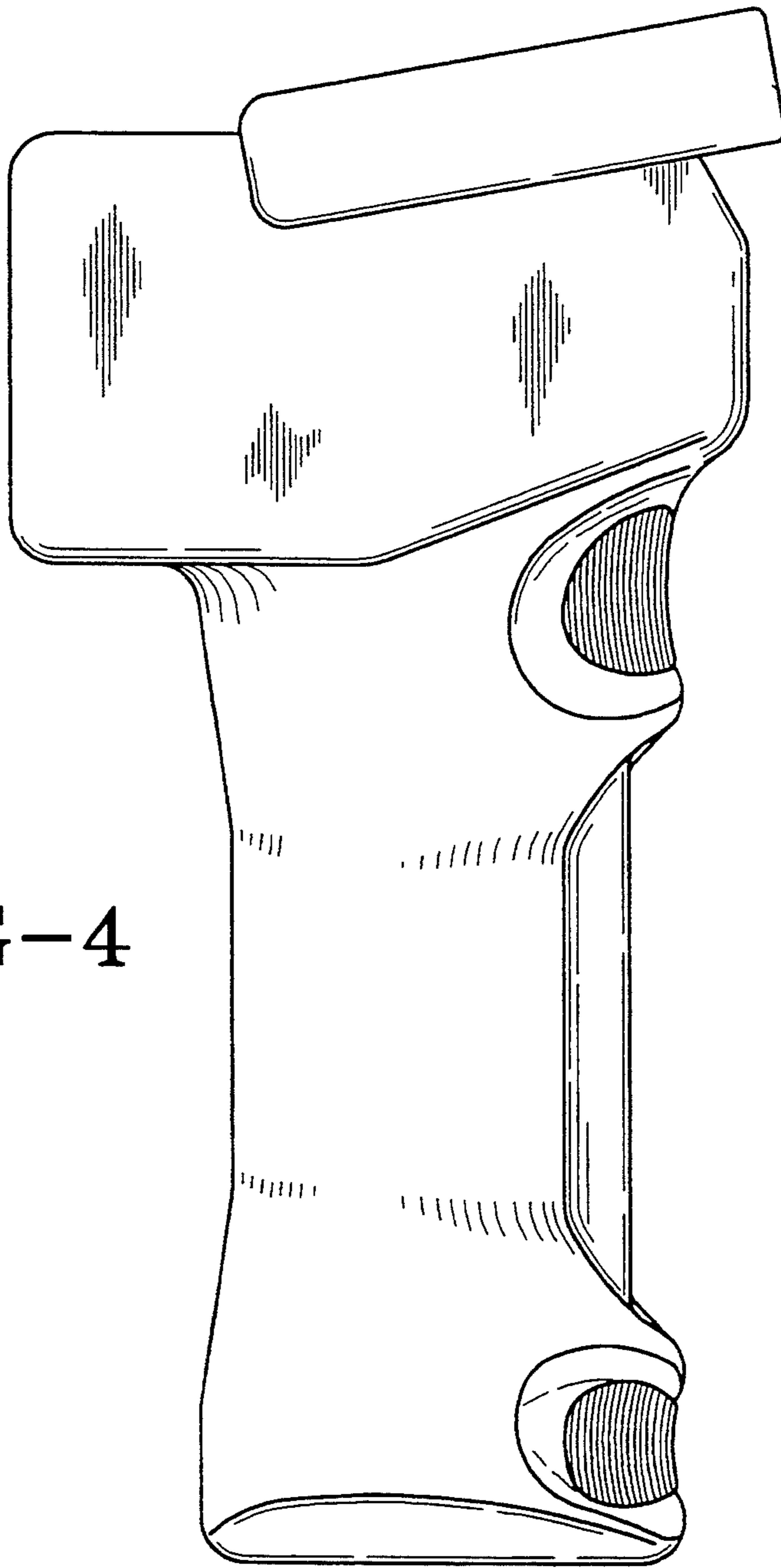


FIG-4

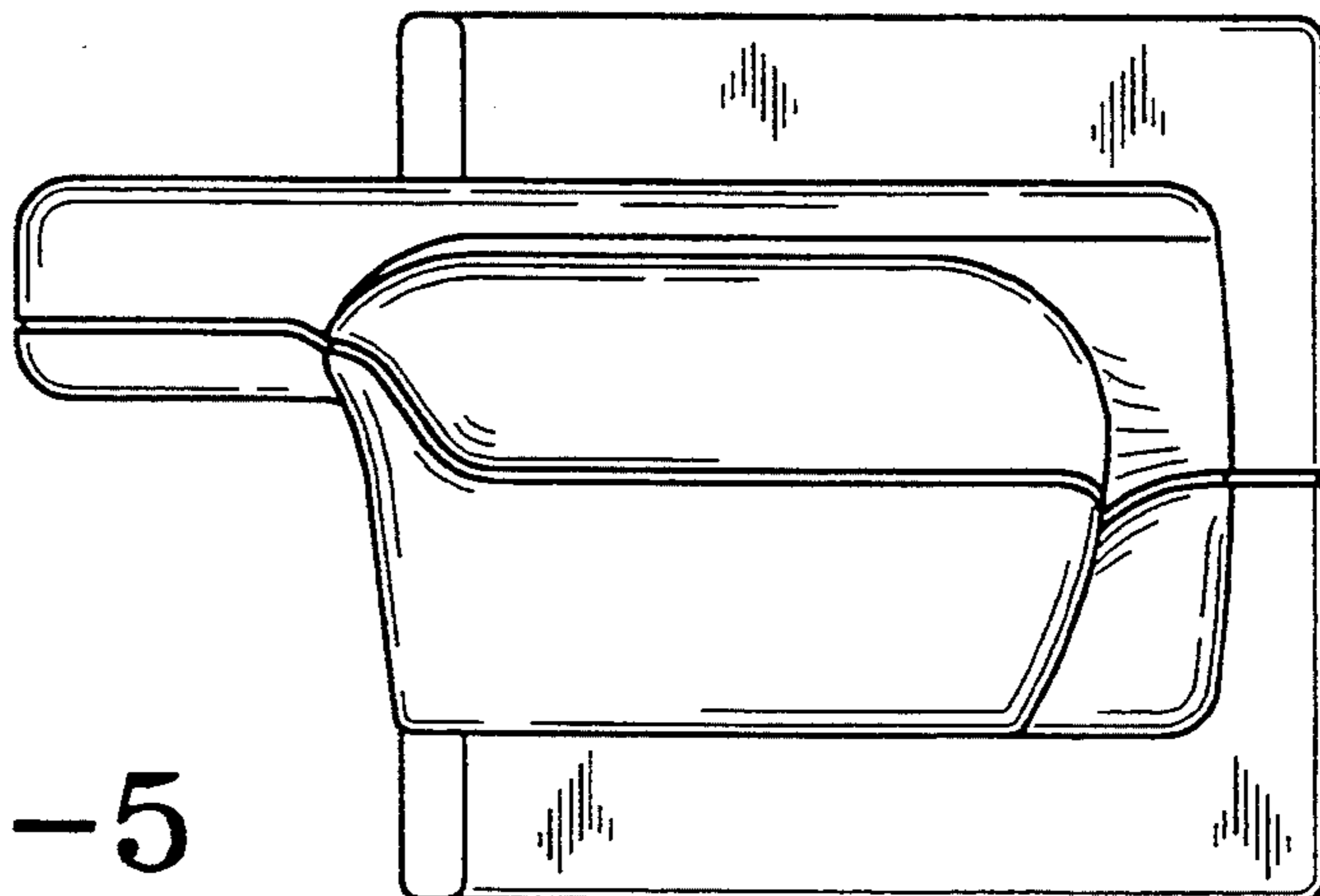


FIG-5

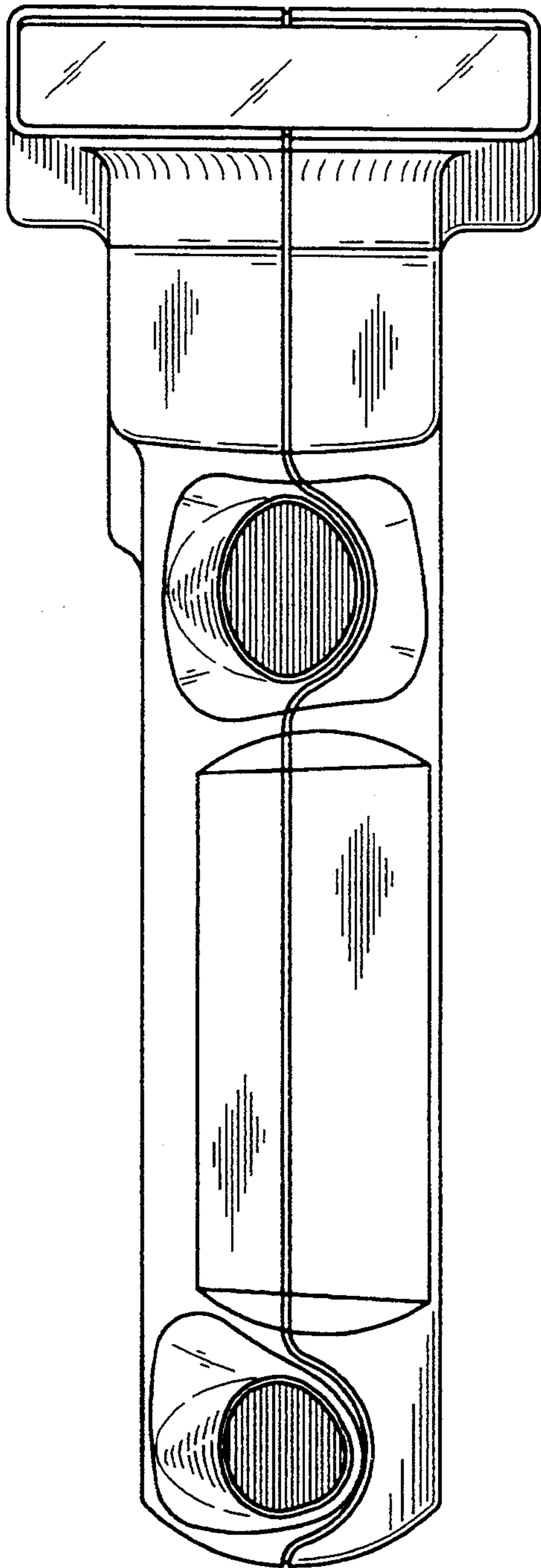


FIG-6

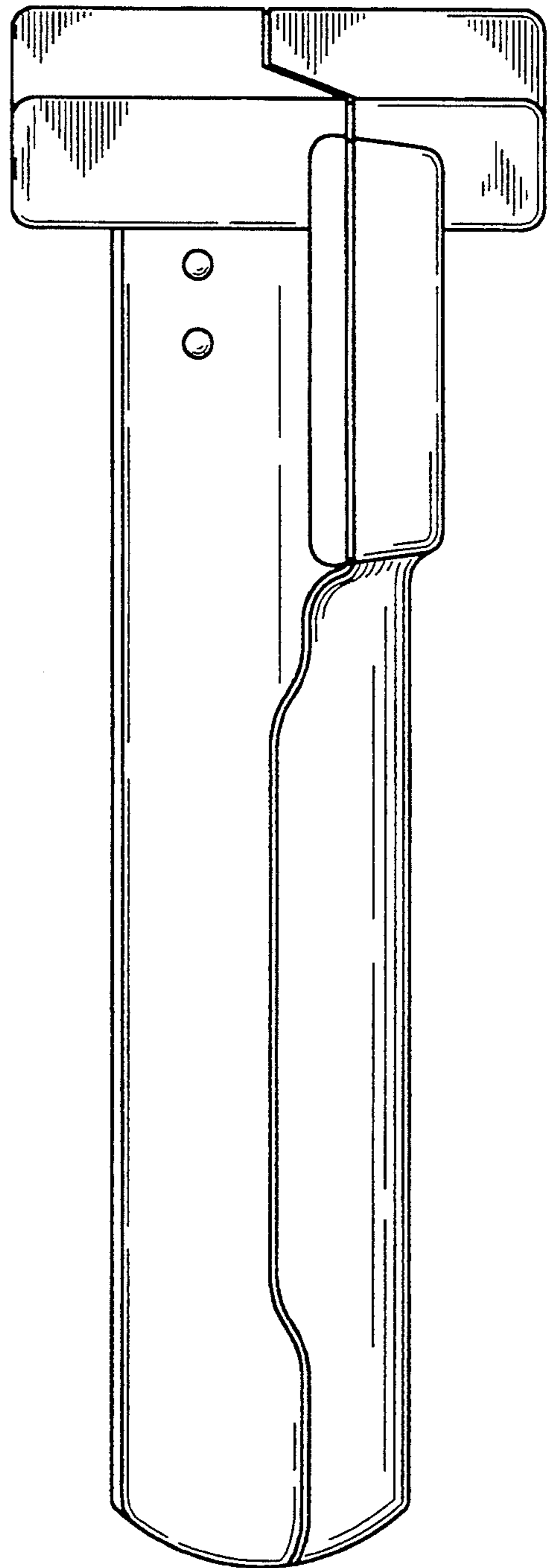


FIG-7