



US00D350331S

# United States Patent [19]

[11] Patent Number: **Des. 350,331**

Hoffman et al.

[45] Date of Patent: **\*\* Sep. 6, 1994**

## [54] DEAD FRONT ELECTRICAL CONNECTOR FOR RECHARGING ELECTRIC VEHICLES

[75] Inventors: **Ernest G. Hoffman**, Middlefield;  
**Jerome E. Zimmermann**,  
Southington, both of Conn.

[73] Assignee: **Hubbell Incorporated**, Orange, Conn.

[\*\*] Term: **14 Years**

[21] Appl. No.: **5,495**

[22] Filed: **Feb. 3, 1993**

[52] U.S. Cl. .... **D13/133**

[58] Field of Search ..... 439/131, 136, 261, 266,  
439/310, 345, 350, 481, 483, 490, 923; D13/133,  
146, 147

## [56] References Cited

### U.S. PATENT DOCUMENTS

3,950,059	4/1976	Anhalt et al. ....	439/261
3,952,239	4/1976	Owings et al. ....	439/481 X
4,158,802	6/1979	Rose, II ....	302/2
4,217,019	8/1980	Cameron ....	439/138
4,431,241	2/1984	Hazelhurt ....	339/43
4,624,472	11/1986	Stuart et al. ....	439/310 X
4,718,862	1/1988	Beeman ....	439/481 X
4,843,477	6/1989	Mizutani et al. ....	358/248
5,104,331	4/1992	Goble ....	439/490 X
5,157,319	10/1992	Klontz et al. ....	320/2

## FOREIGN PATENT DOCUMENTS

49625	4/1982	European Pat. Off. ....	439/350
1926582	11/1970	Fed. Rep. of Germany ....	439/345
208053	12/1967	U.S.S.R. ....	439/345

## OTHER PUBLICATIONS

"Infrastructure-EV Charging Meter," Green Car Journal, Nov. 1992, p. 124.

*Primary Examiner*—Wallace R. Burke  
*Assistant Examiner*—Joel Sincavage  
*Attorney, Agent, or Firm*—Jerry M. Presson; David L. Tarnoff

## [57] CLAIM

The ornamental design for dead front electrical connector for recharging electric vehicles, as shown and described.

## DESCRIPTION

FIG. 1 is a rear perspective view of a dead front electrical connector for recharging electric vehicles showing our new design;

FIG. 2 is a right side elevational view of the electrical connector shown in FIG. 1;

FIG. 3 is a front elevational view of the electrical connector shown in FIGS. 1-2;

FIG. 4 is a rear elevational view of the electrical connector shown in FIGS. 1-3;

FIG. 5 is a top plan view of the electrical connector shown in FIGS. 1-4; and,

FIG. 6 is a bottom plan view of the electrical connector shown in FIGS. 1-5.

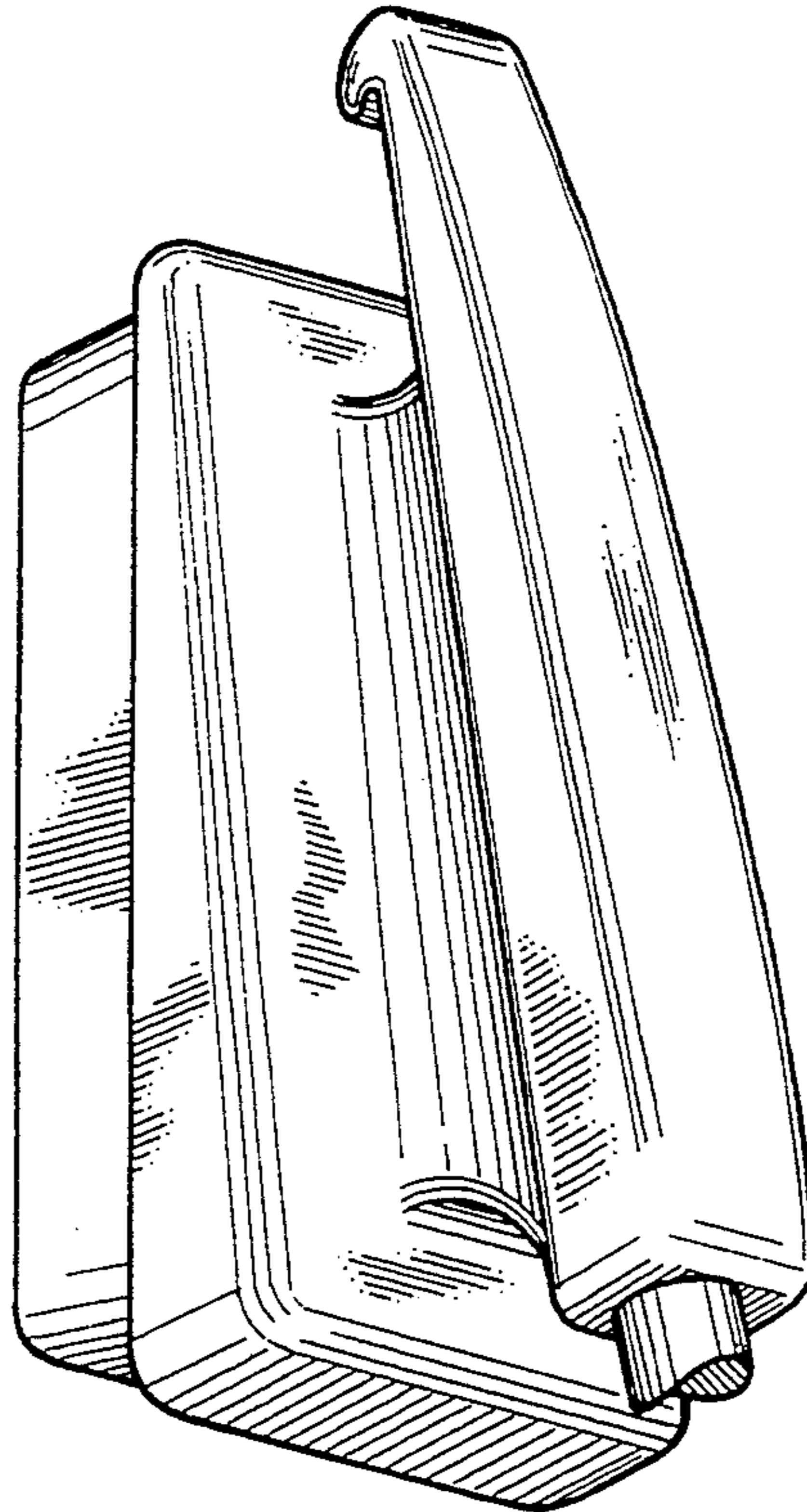


FIG. 1

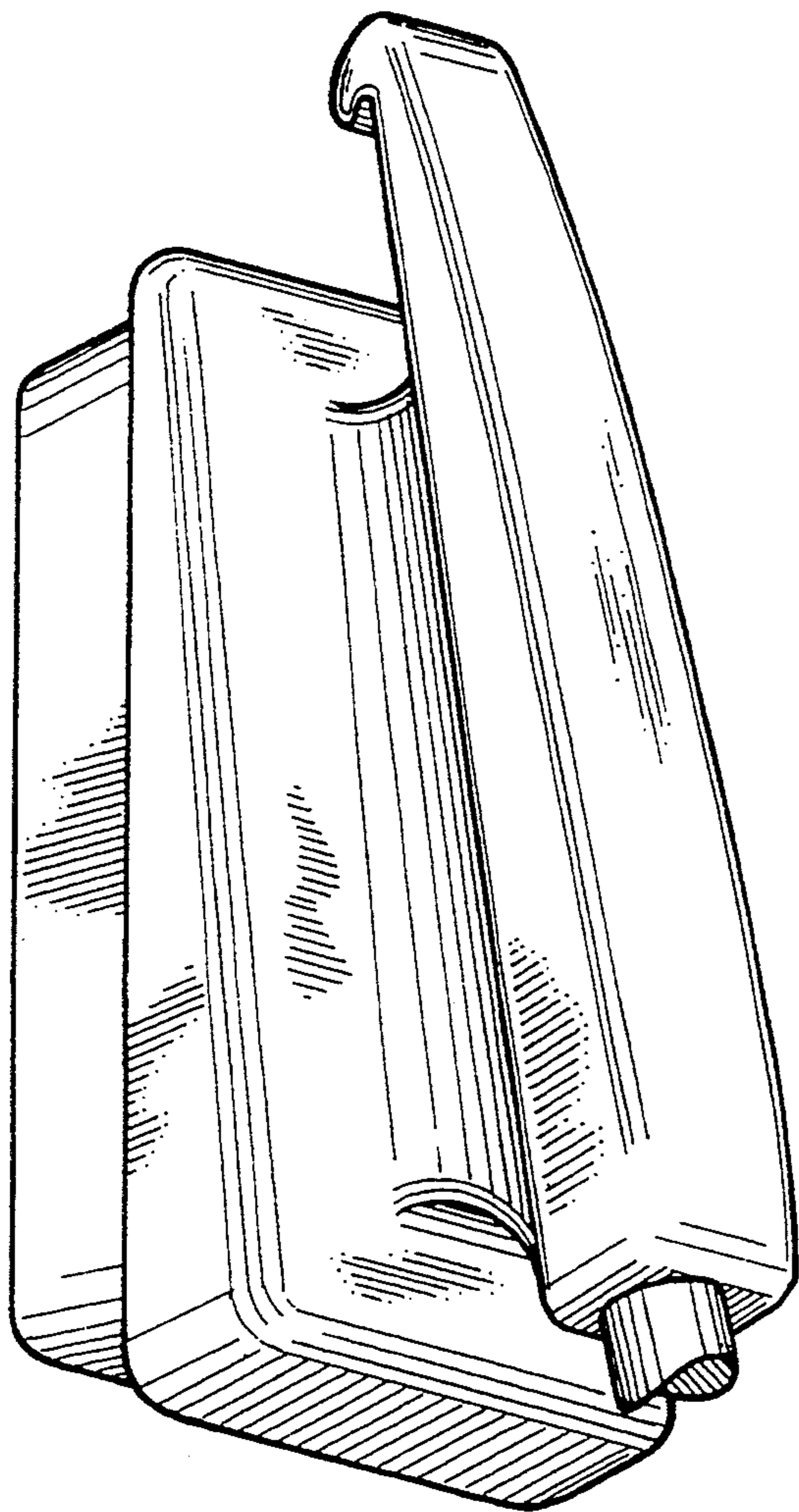


FIG. 2

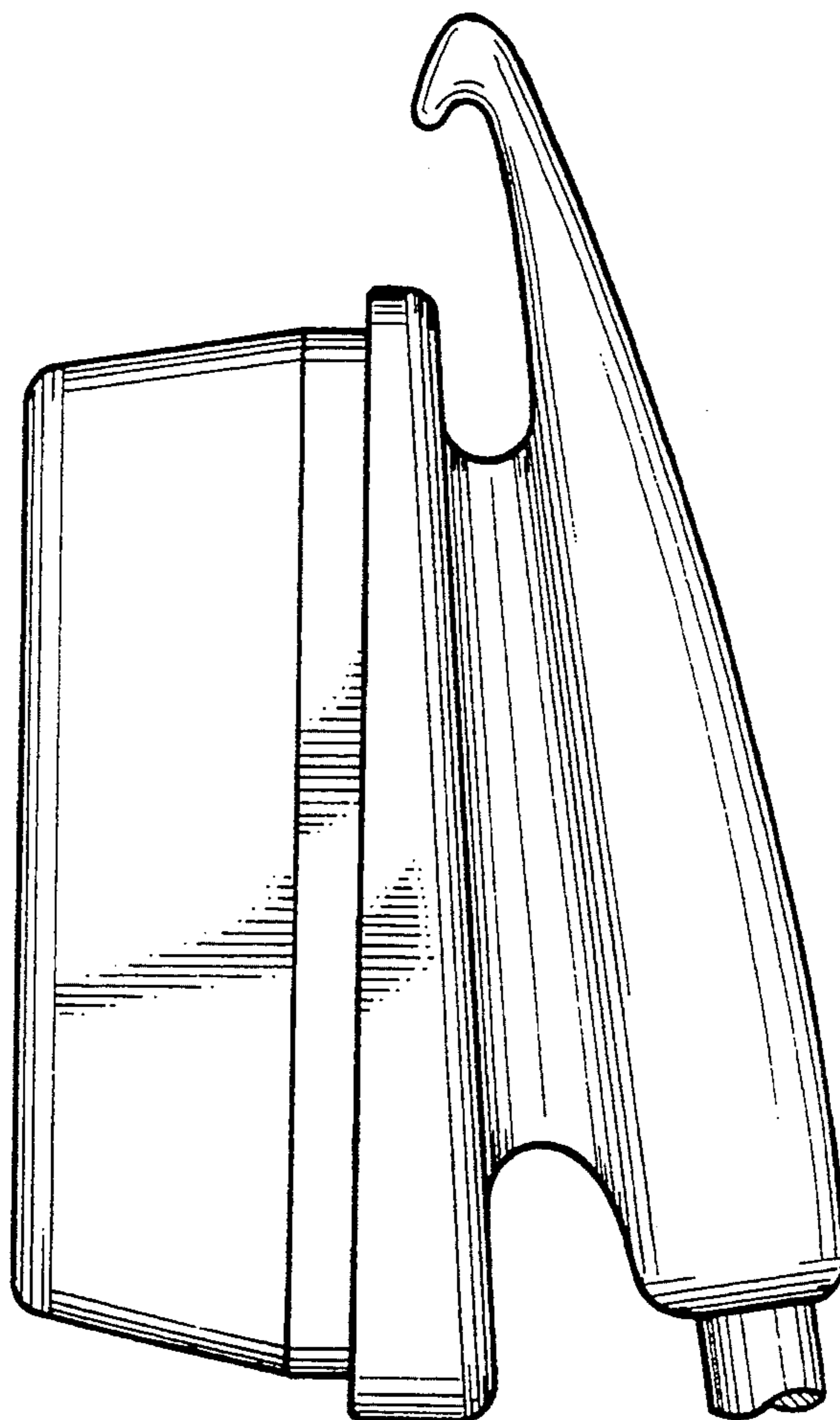


FIG. 3

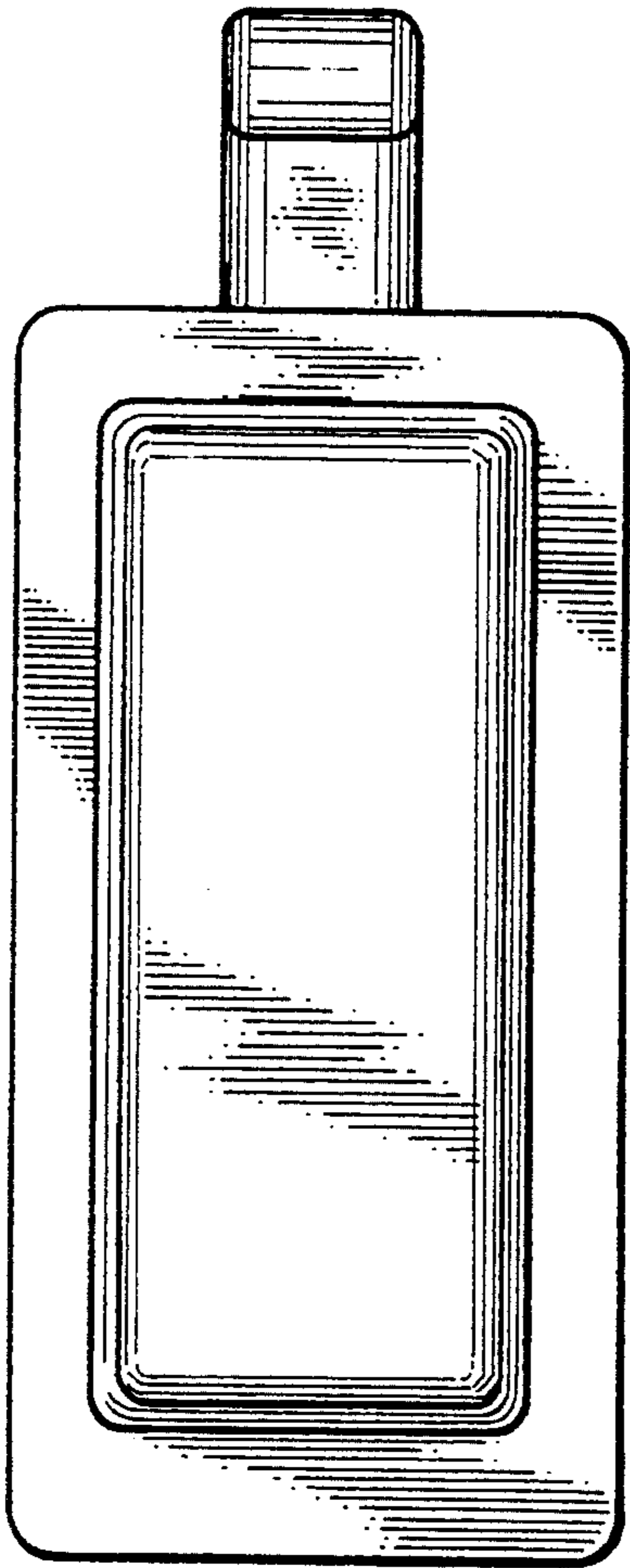


FIG. 4

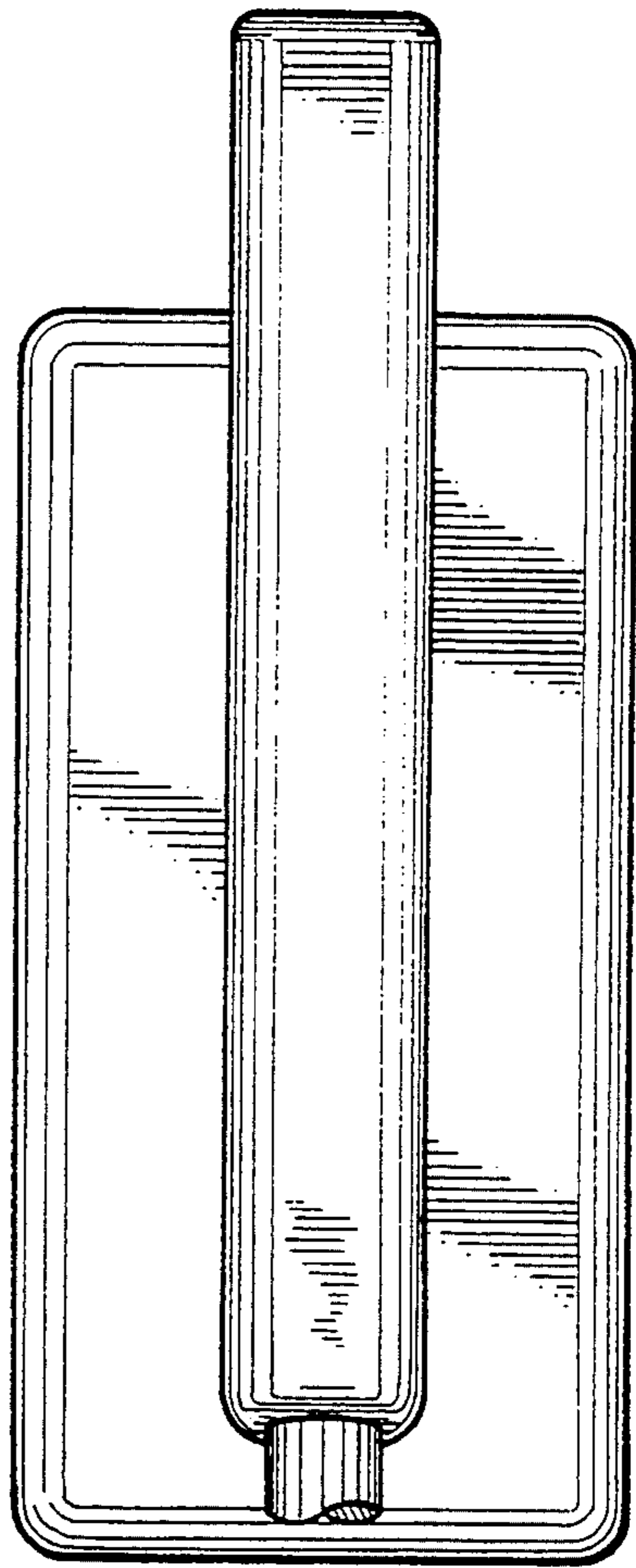


FIG. 5

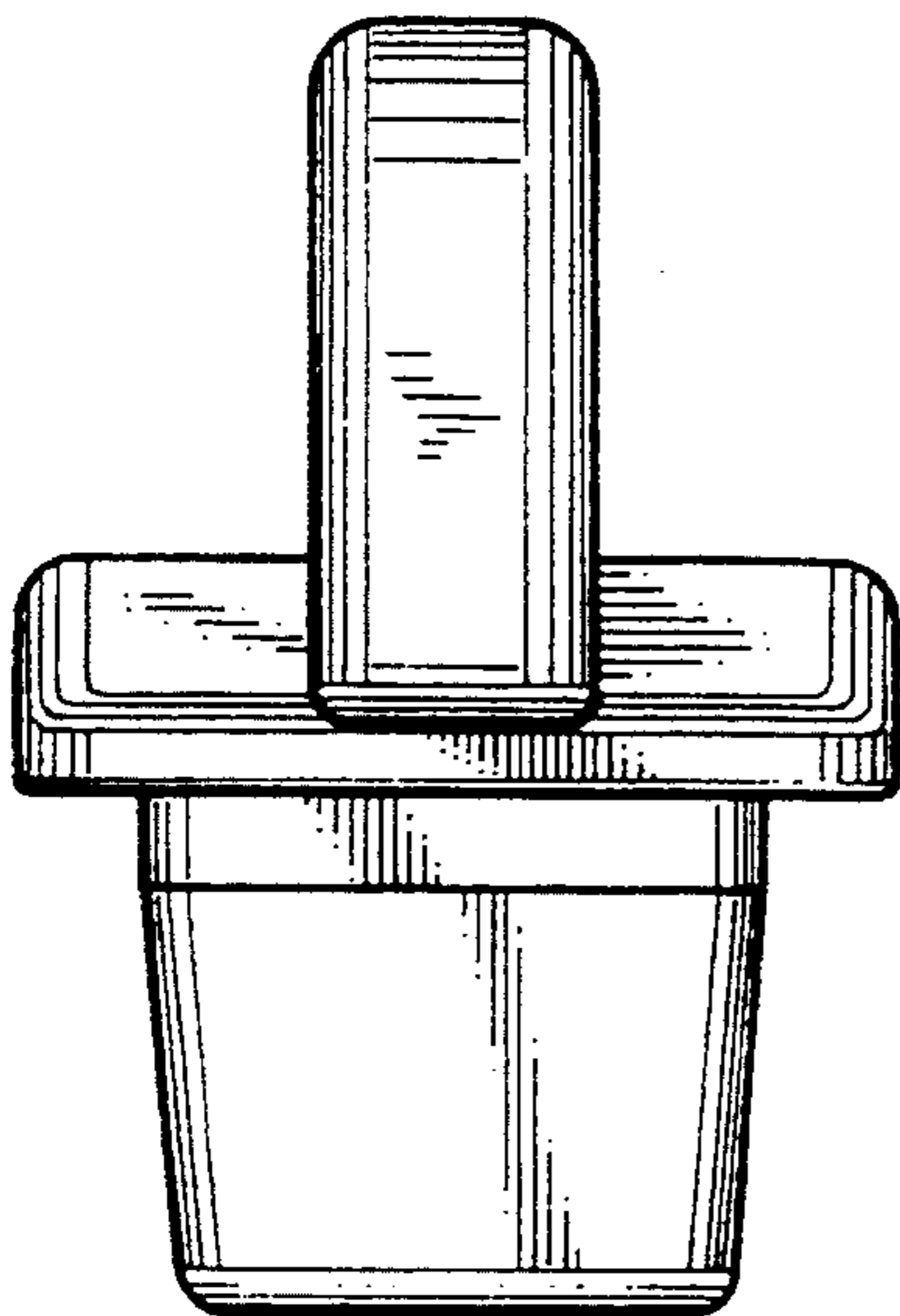


FIG. 6

