



US00D350330S

United States Patent [19]

[11] Patent Number: **Des. 350,330**

Peterson

[45] Date of Patent: **** Sep. 6, 1994**

[54] **PERSONAL BATTERY CHARGER**

D. 297,827 9/1988 Lay D13/108
5,122,721 6/1992 Okada et al. 320/2

[75] Inventor: **William R. Peterson**, Mason City, Iowa

Primary Examiner—Wallace R. Burke
Assistant Examiner—Joel Sincavage
Attorney, Agent, or Firm—Hugh D. Jaeger

[73] Assignee: **Alexander Manufacturing Co.**, Mason City, Iowa

[57] **CLAIM**

[**] Term: **14 Years**

The ornamental design for a personal battery charger, as shown.

[21] Appl. No.: **7,010**

DESCRIPTION

[22] Filed: **Apr. 14, 1993**

[52] U.S. Cl. **D13/107**

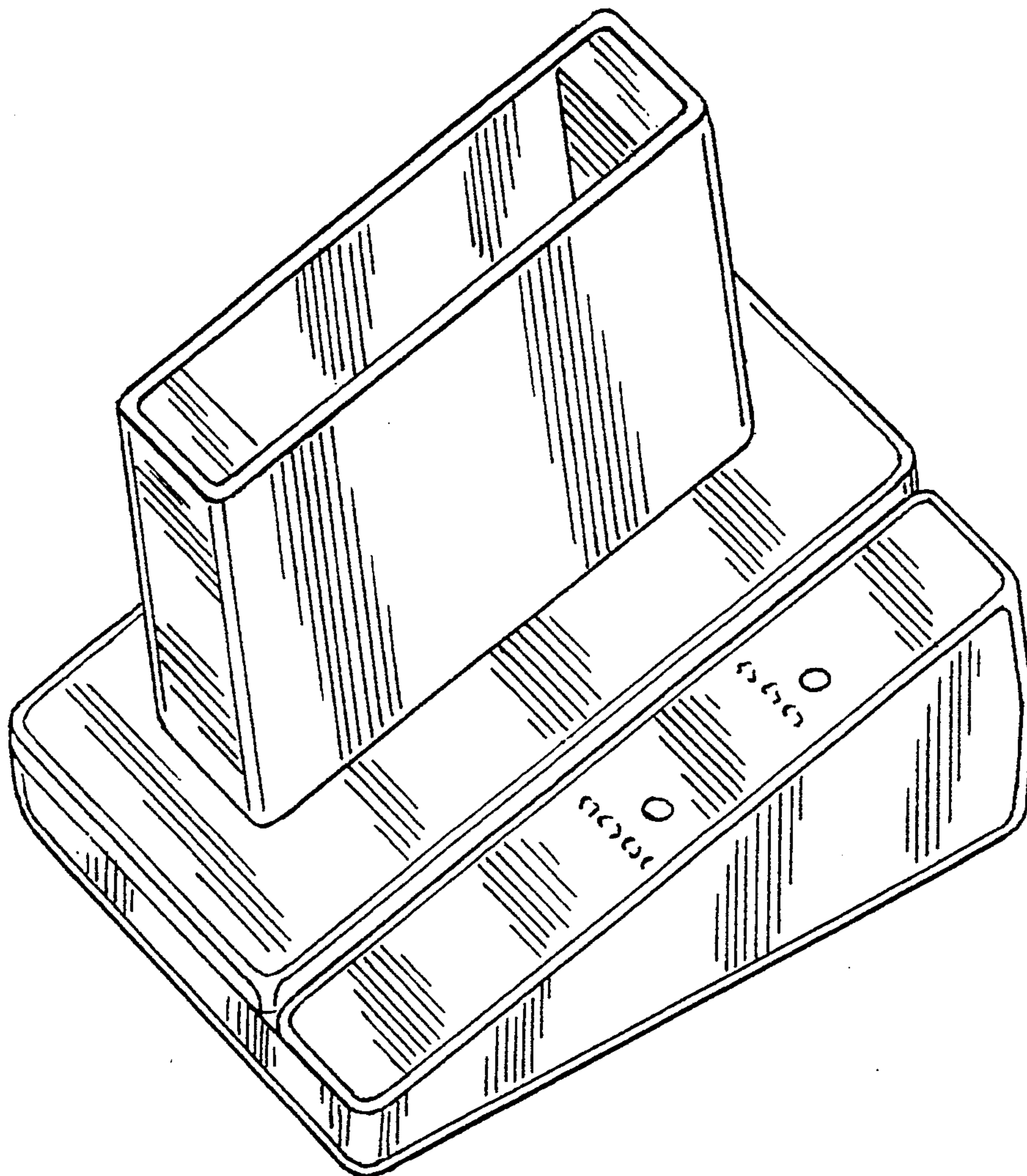
[58] Field of Search 320/1, 2, 3, 4, 5, 15, 320/21; D13/107, 108, 110

FIG. 1 illustrates a perspective view of a personal battery charger, showing my new design; FIG. 2 illustrates a right side view thereof; FIG. 3 illustrates a front view thereof; FIG. 4 illustrates a back view thereof; FIG. 5 illustrates a left side view thereof; FIG. 6 illustrates a top view thereof; and, FIG. 7 illustrates a bottom view thereof.

[56] **References Cited**

U.S. PATENT DOCUMENTS

D. 275,482 9/1984 Coons et al. D13/108 X



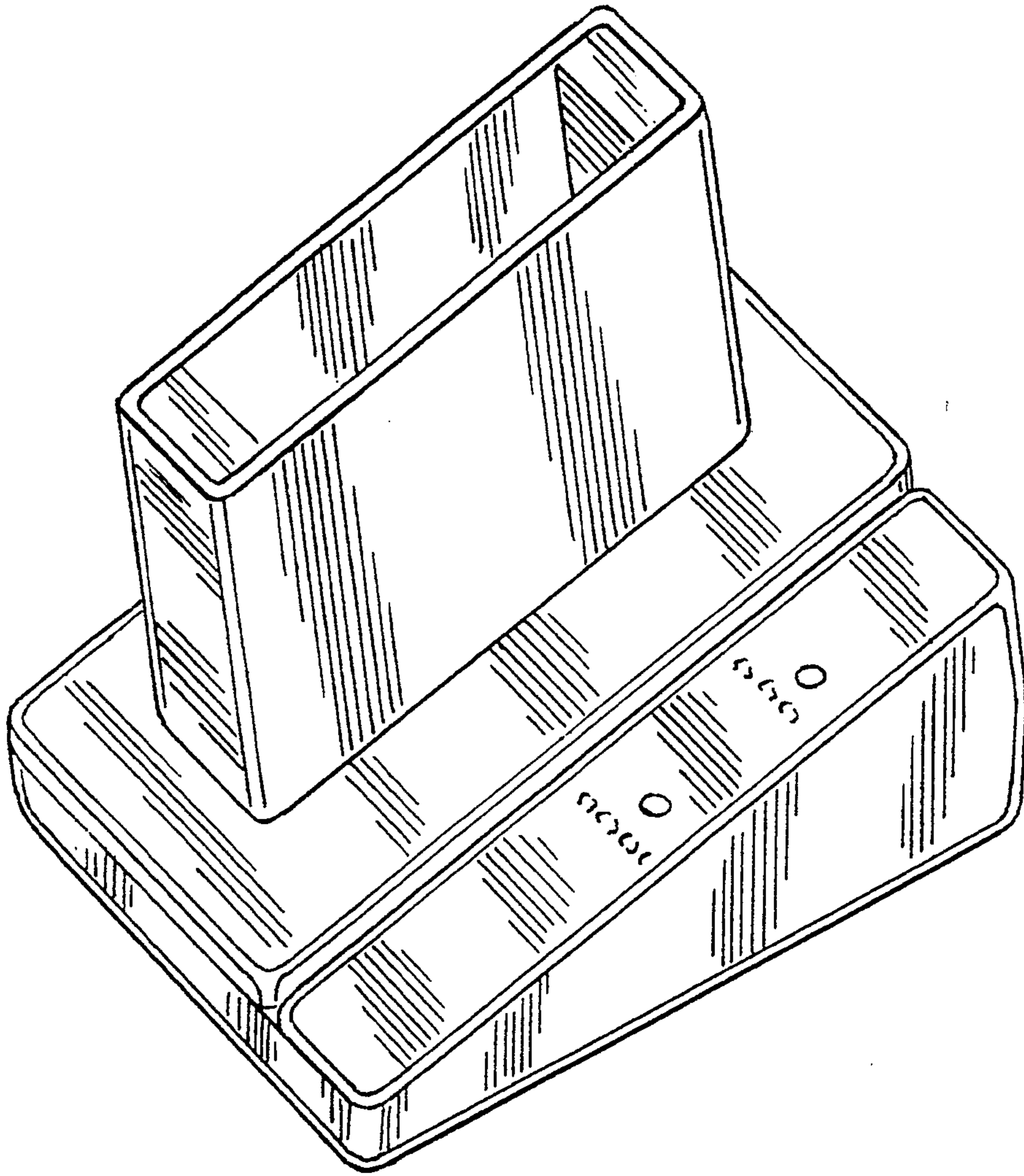


FIG. 1

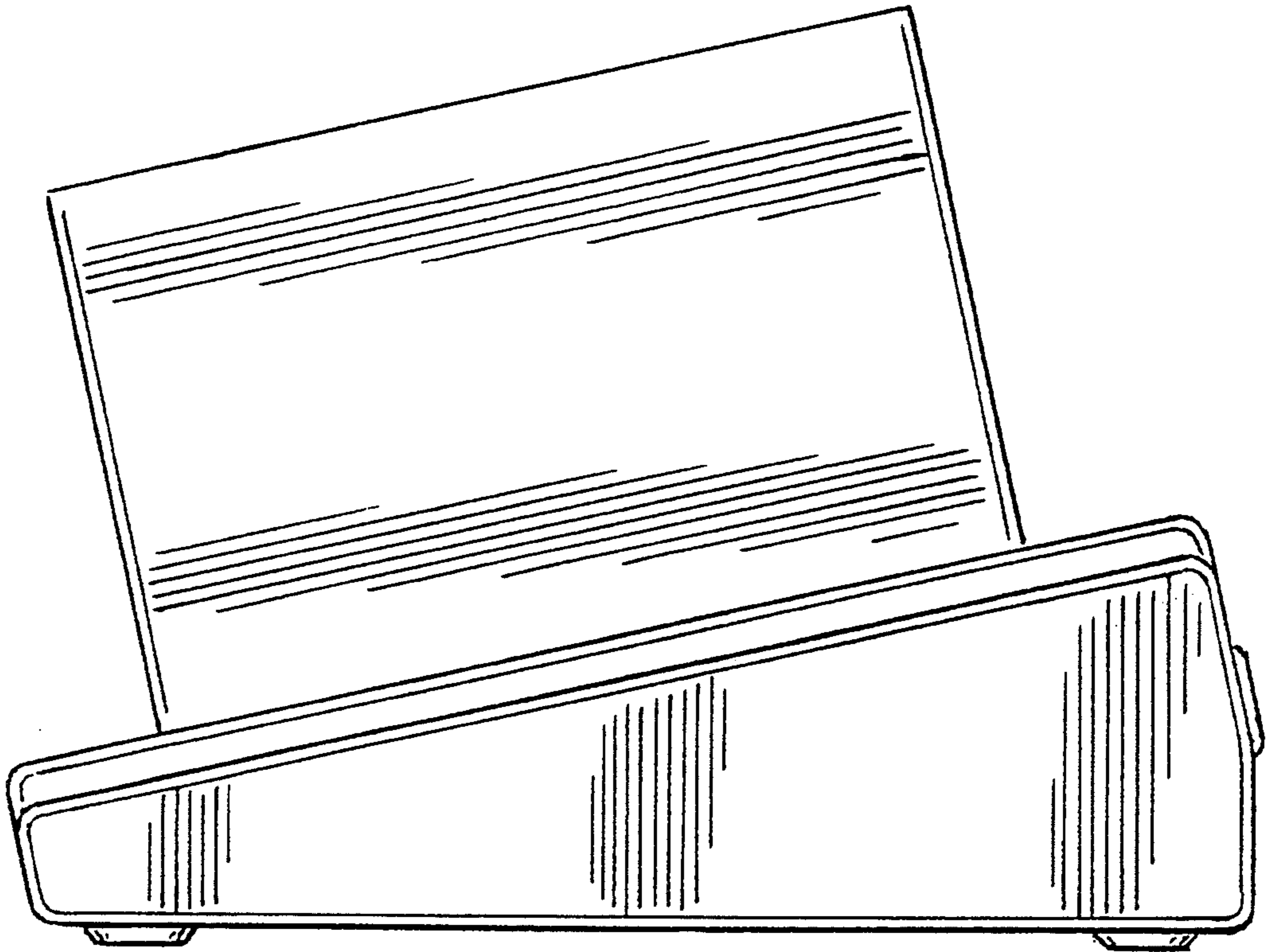


FIG. 2

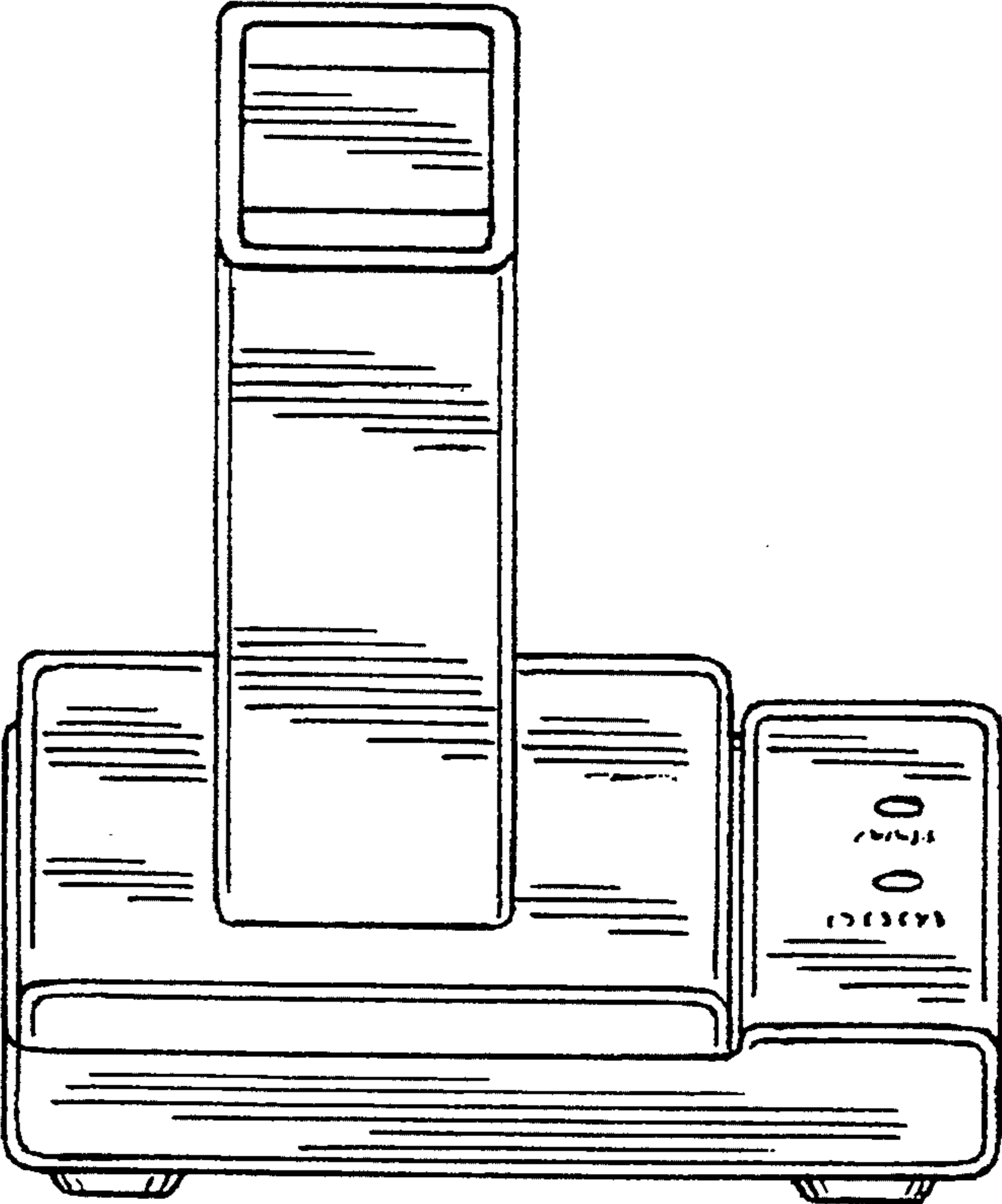


FIG. 3

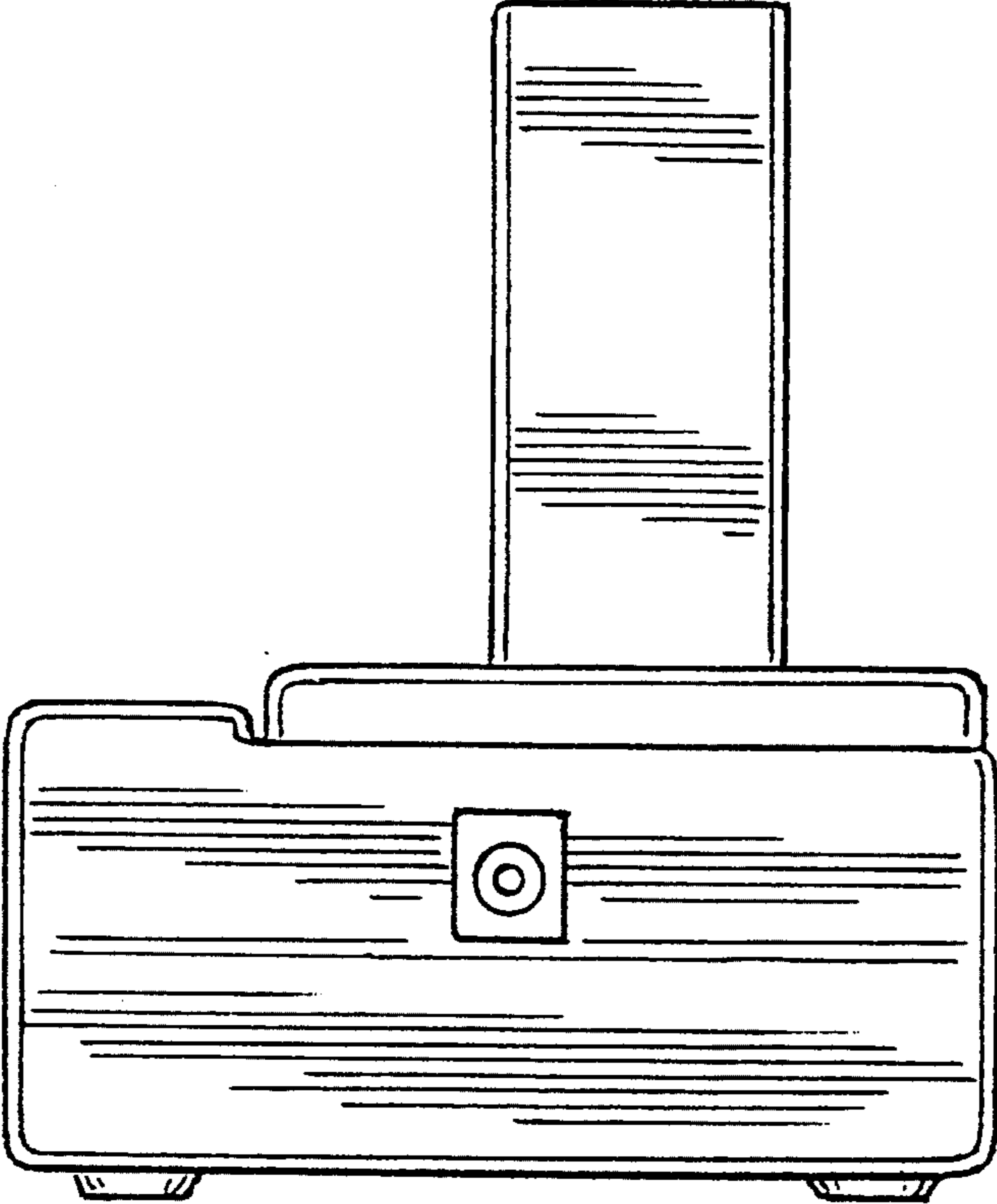


FIG. 4

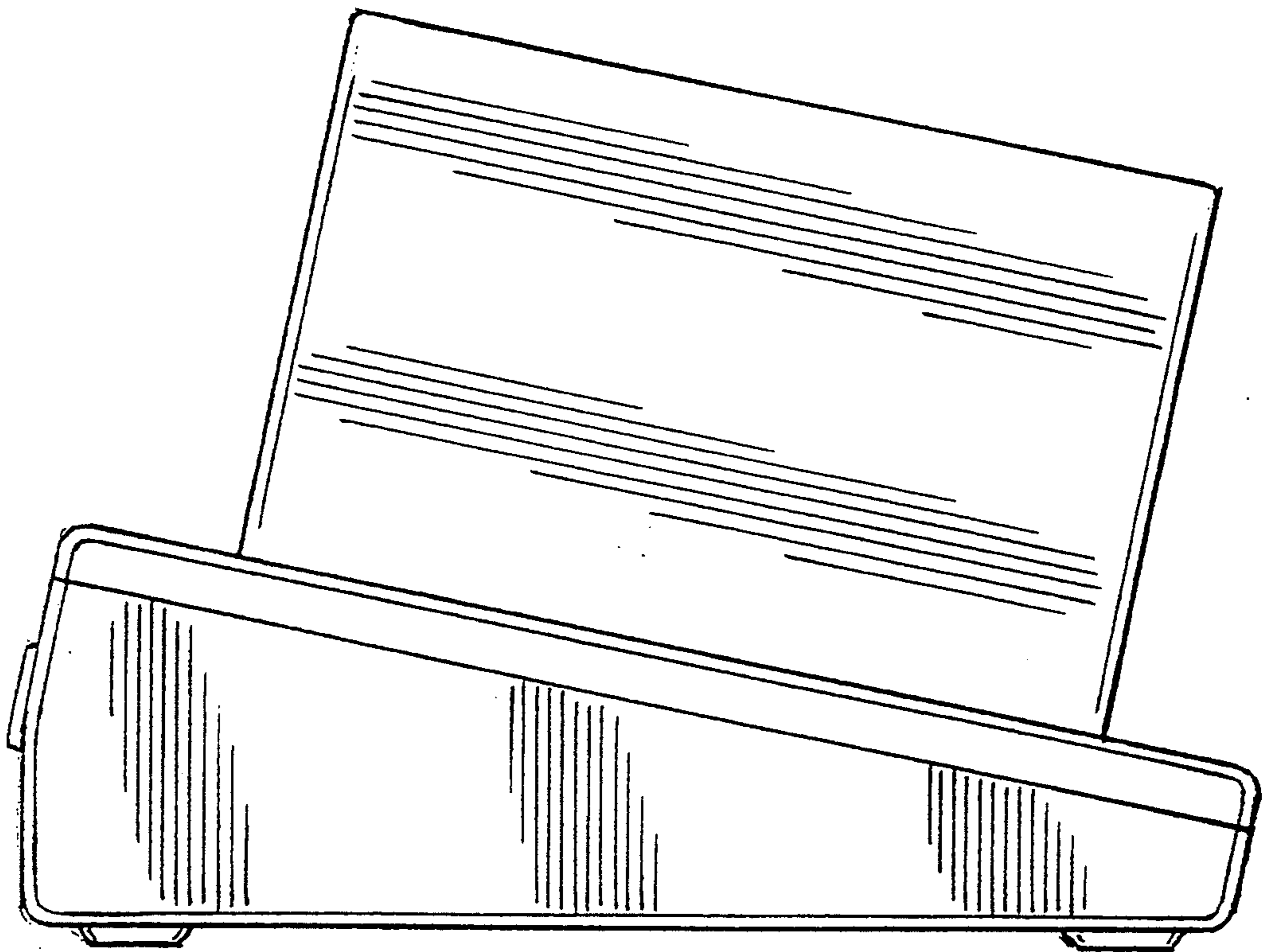


FIG. 5

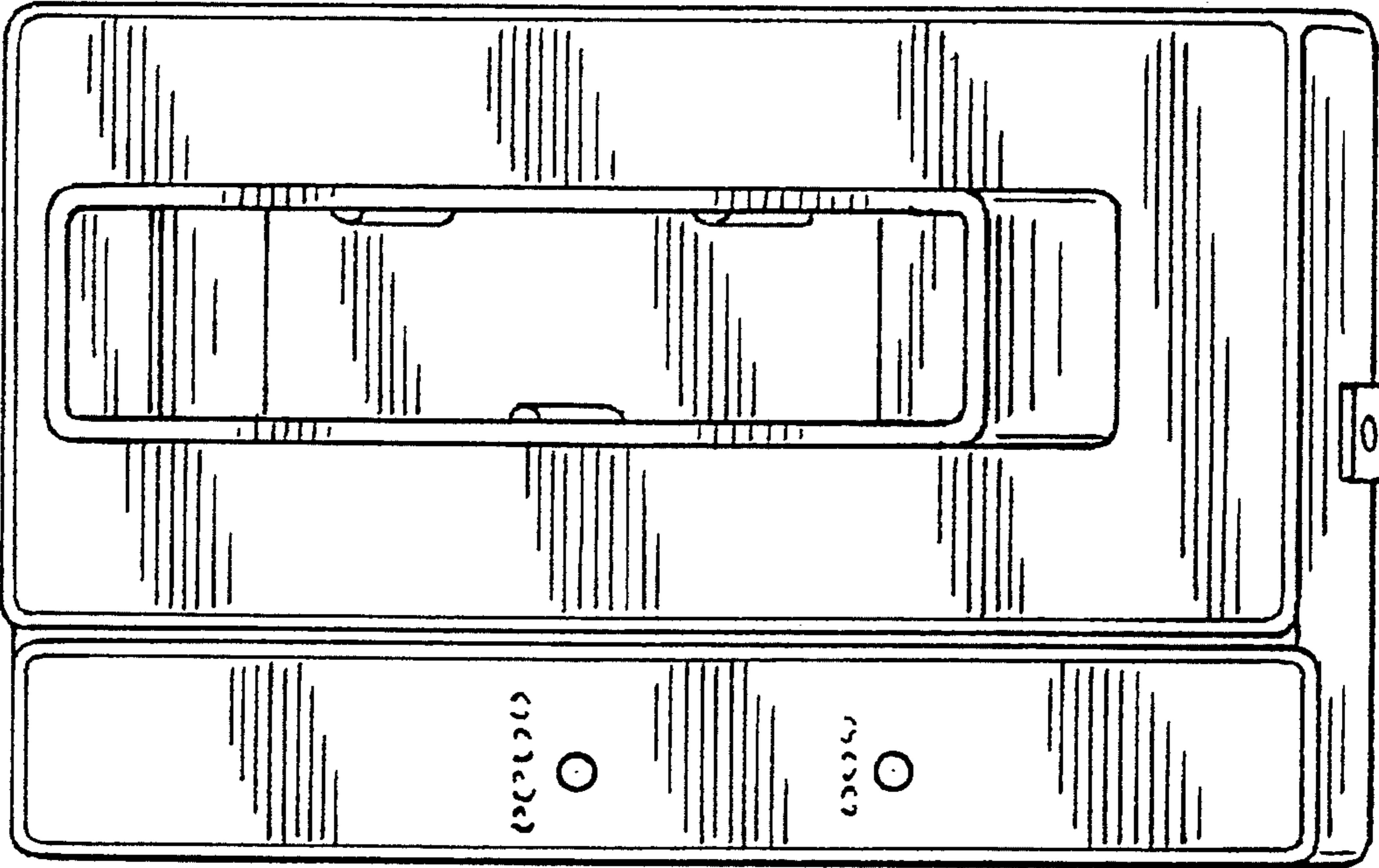


FIG. 6

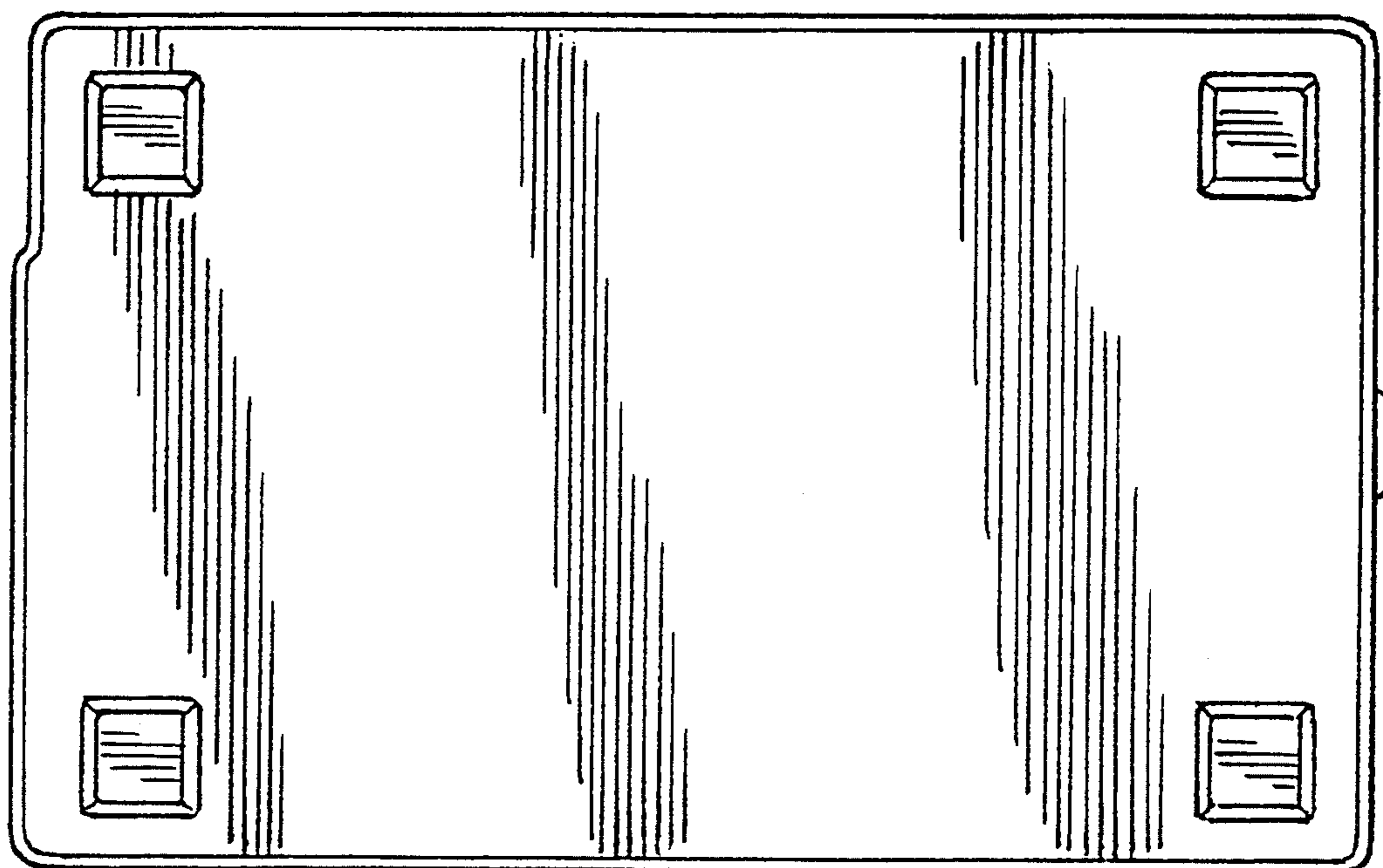


FIG. 7